



US00D453407S

(12) **United States Design Patent**
Lim

(10) **Patent No.:** **US D453,407 S**

(45) **Date of Patent:** **** Feb. 5, 2002**

(54) **COIN SEPARATOR**

5,944,601 A * 8/1999 Hayashi et al. 453/61
D445,990 S * 7/2001 Knox, Jr. et al. D99/34

(76) Inventor: **Takwan Lim**, 24B-9Lm #451-8,
Nonhyun-dong, Namdong-ku, Inchon
(KR)

* cited by examiner

(**) Term: **14 Years**

Primary Examiner—Paula A. Mortimer
(74) *Attorney, Agent, or Firm*—Roberts Abokhair &
Mardula, LLC

(21) Appl. No.: **29/142,338**

(57) **CLAIM**

(22) Filed: **May 23, 2001**

The ornamental design for a coin separator, as shown and described.

(51) **LOC (7) Cl.** **99-00**

DESCRIPTION

(52) **U.S. Cl.** **D99/34**

(58) **Field of Search** D99/34, 35, 36,
D99/37; D18/4.1-4.6; 232/4 R; 221/24;
D20/7, 8, 9; 453/3, 9, 10, 12, 13, 15, 17,
41, 44, 61; 194/238, 350

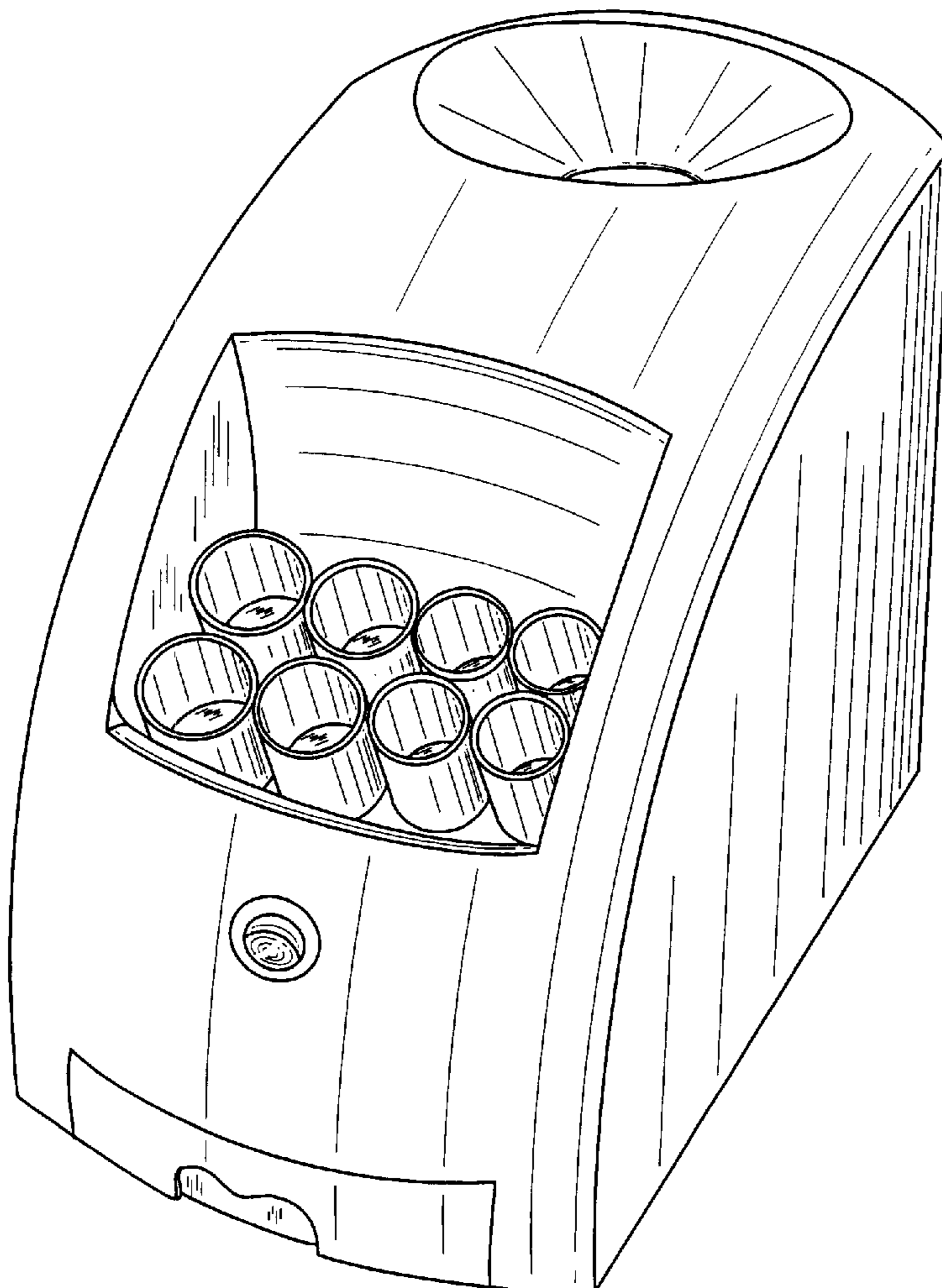
FIG. 1 is a perspective view of a coin separator showing my new design;
FIG. 2 is a back view thereof;
FIG. 3 is a bottom view thereof;
FIG. 4 is a front view thereof;
FIG. 5 is a left side elevational view thereof, the right side being a mirror image; and,
FIG. 6 is a top view thereof.

(56) **References Cited**

U.S. PATENT DOCUMENTS

4,221,227 A * 9/1980 Heiman 453/9
5,356,332 A * 10/1994 Thompson et al. 453/3

1 Claim, 4 Drawing Sheets



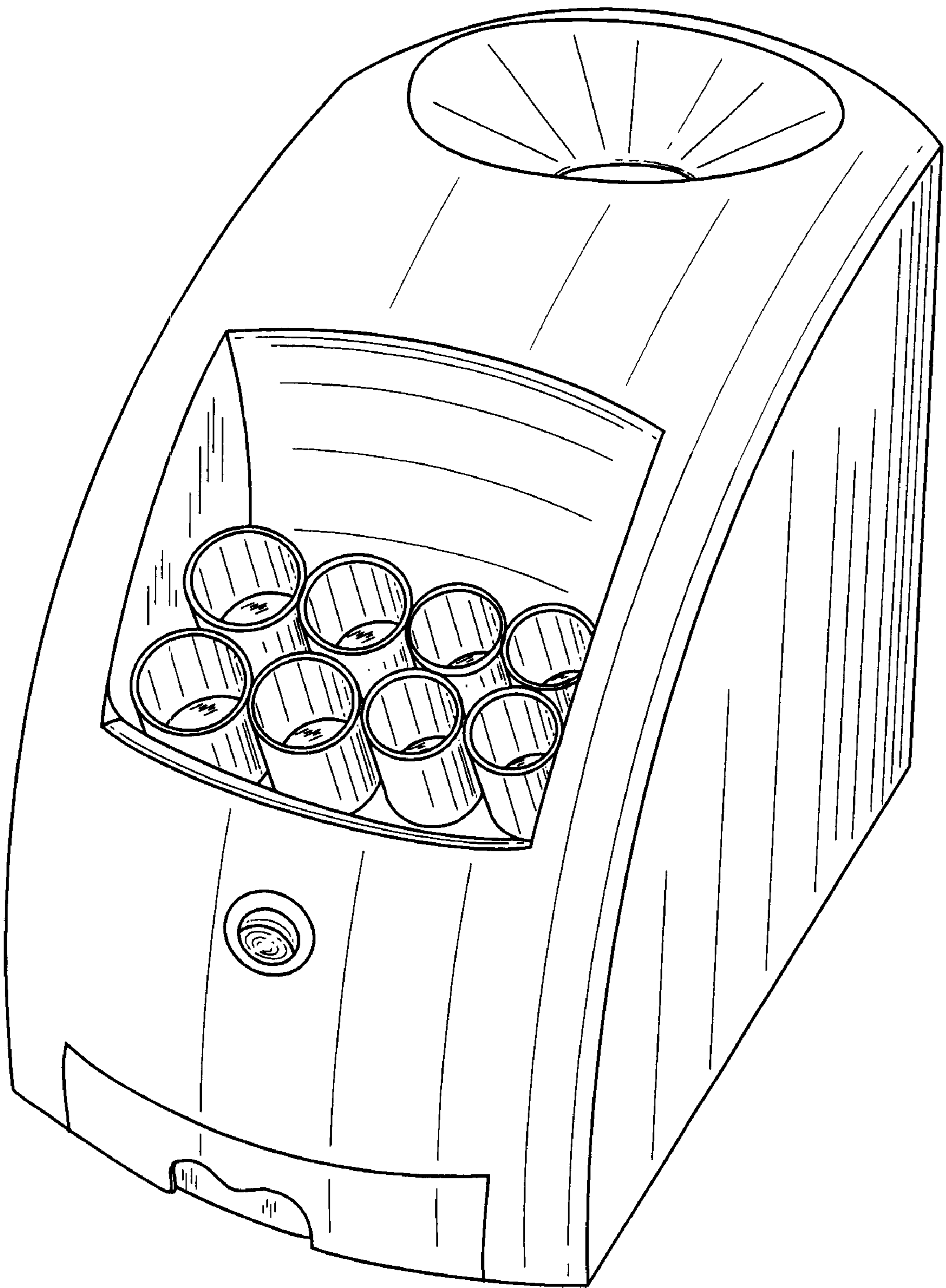


FIG. 1

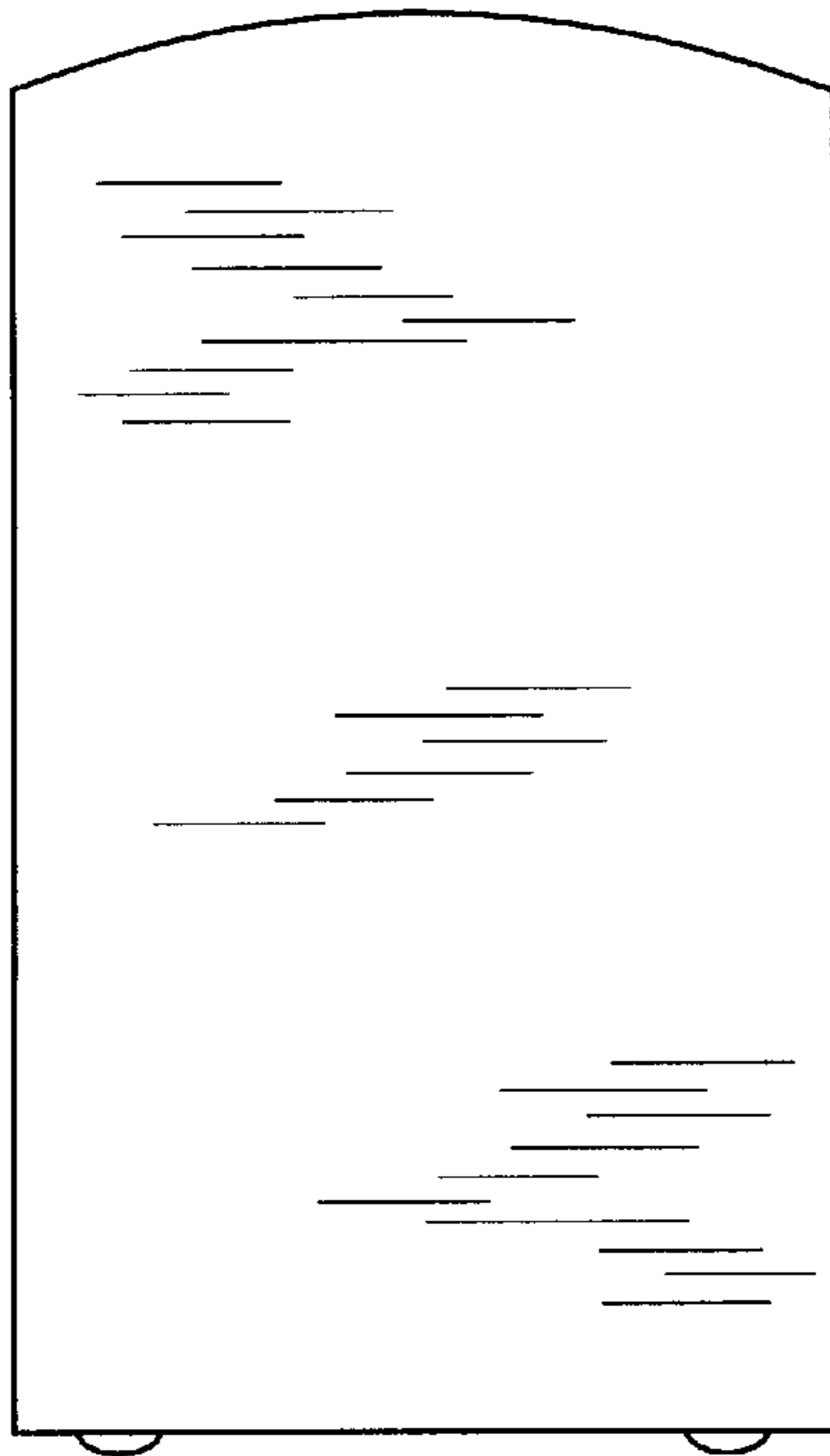


FIG. 2

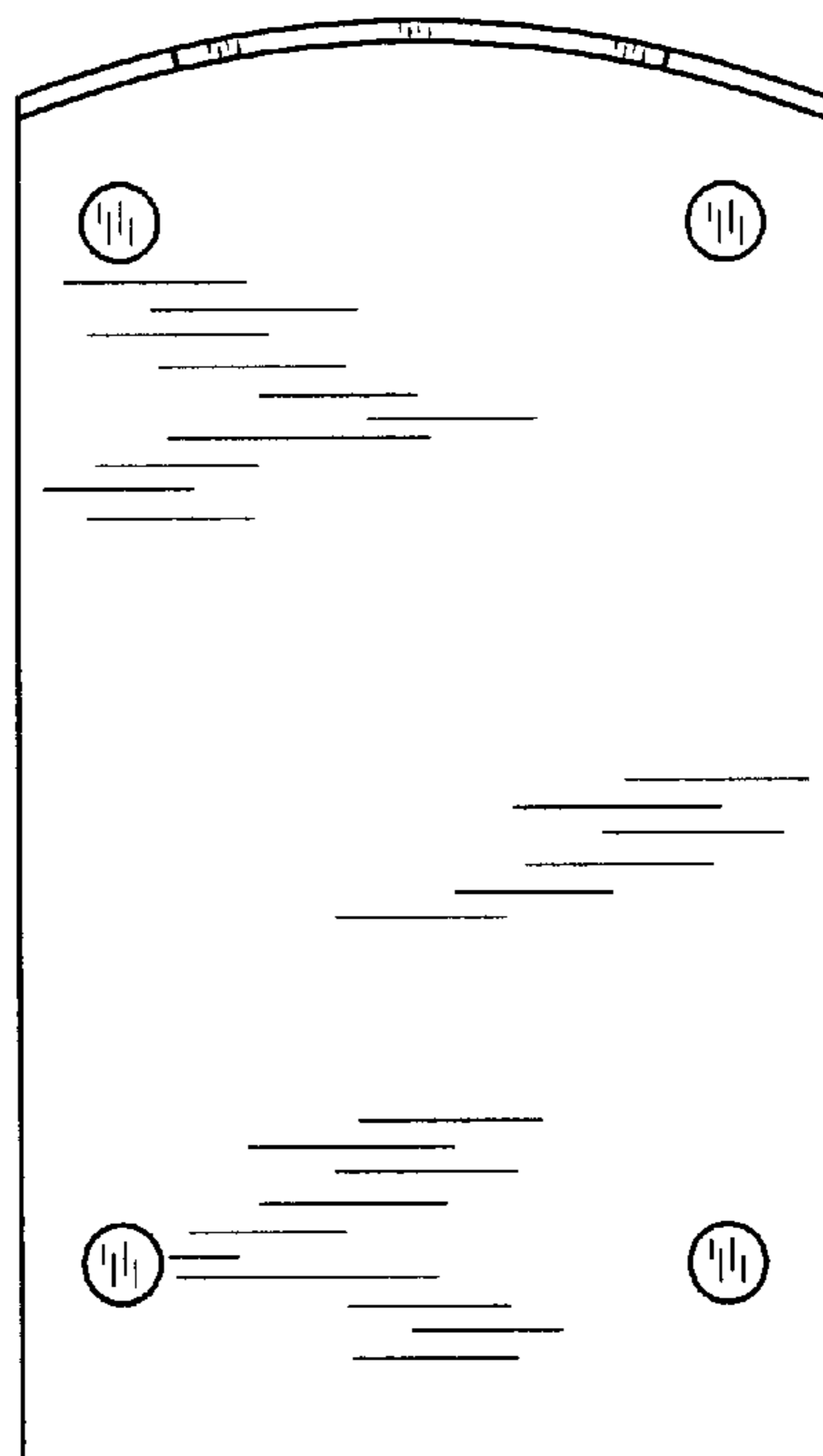


FIG. 3

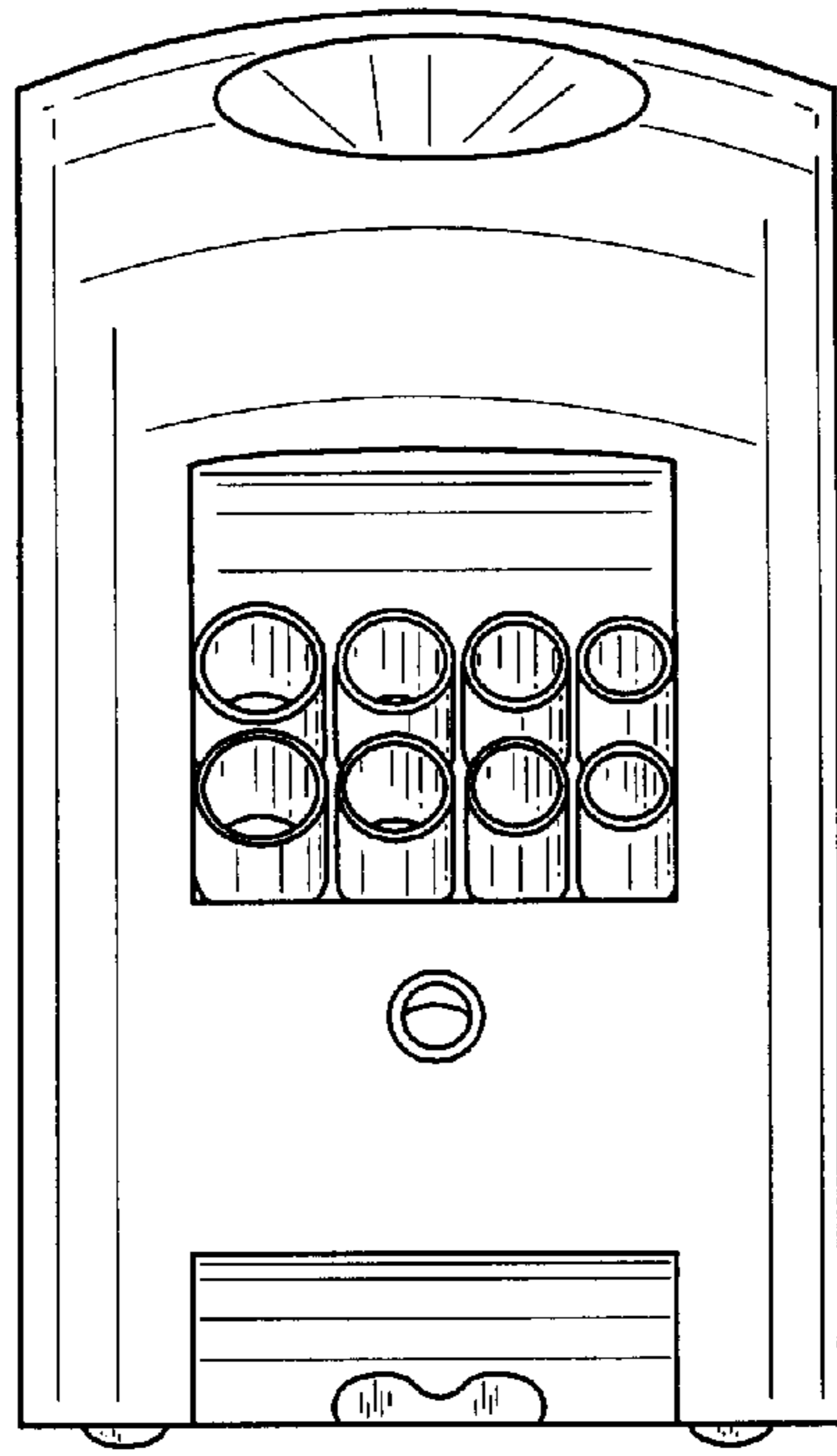


FIG. 4

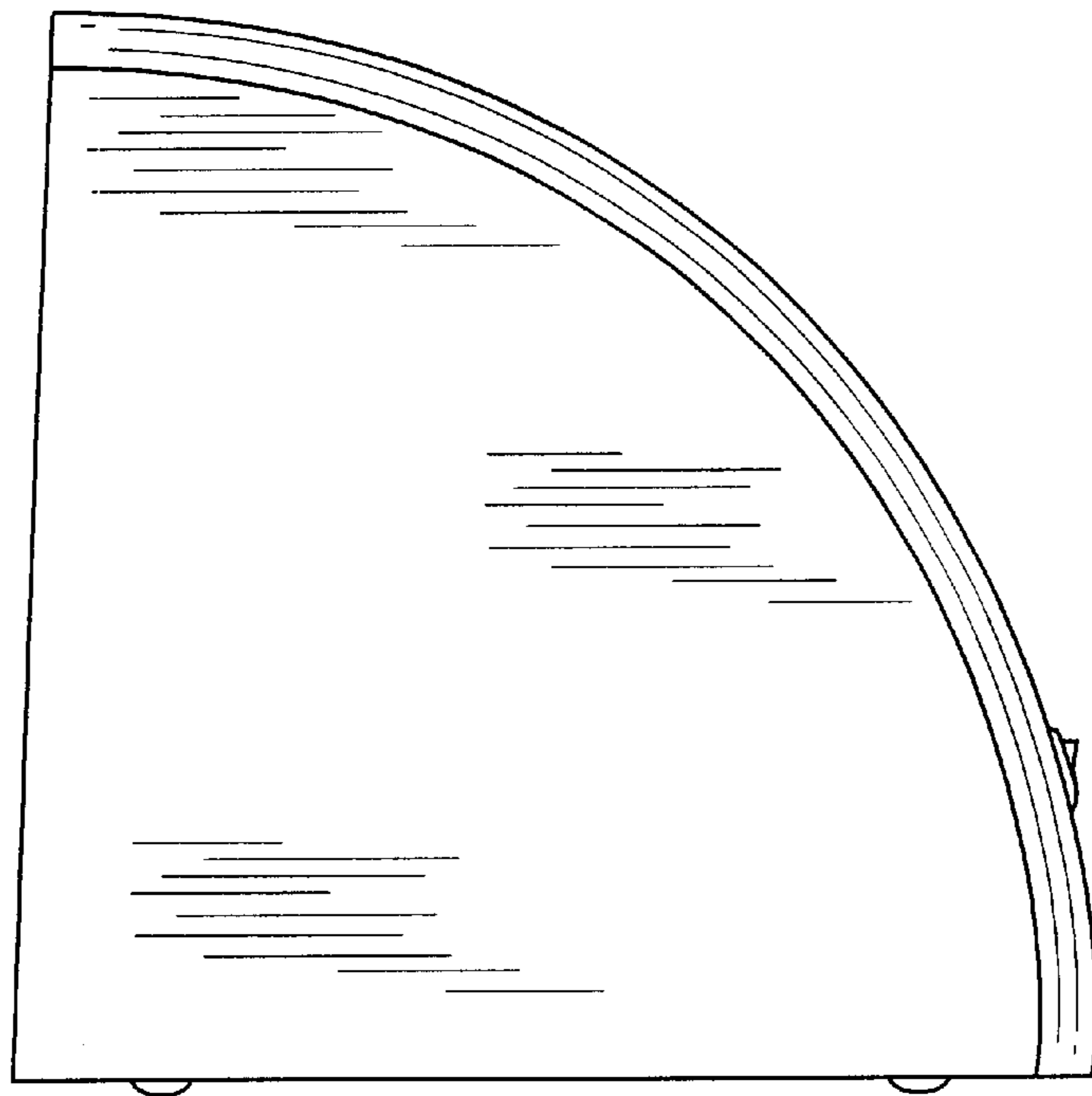


FIG. 5

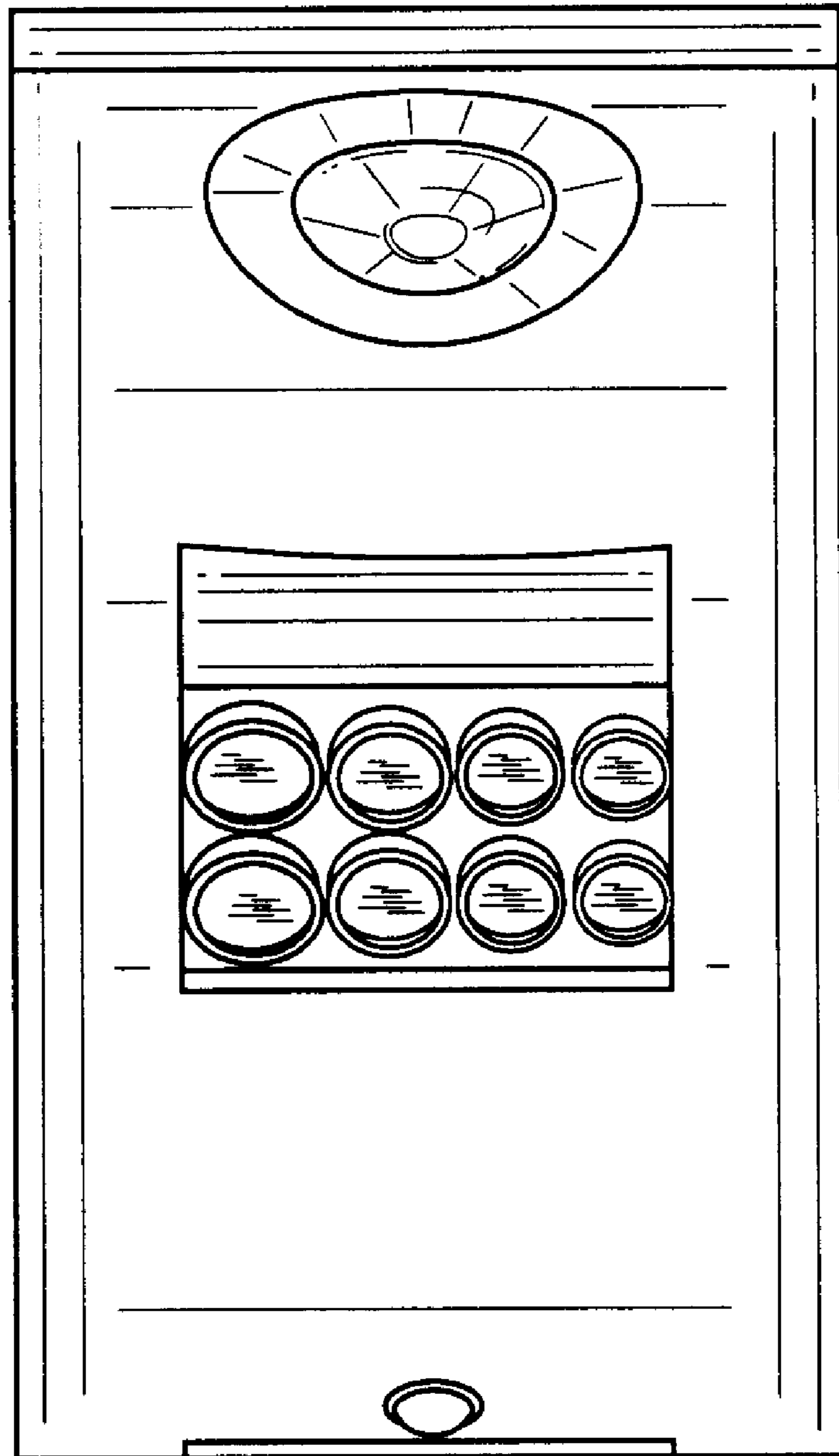


FIG. 6