



US00D453406S

(12) **United States Design Patent**  
**Lee**

(10) **Patent No.:** **US D453,406 S**

(45) **Date of Patent:** **\*\* Feb. 5, 2002**

(54) **SET OF SERVING TRAYS**

(76) Inventor: **Cynthia Lee**, 725 - 4B Antrim Dr.,  
Newport News, VA (US) 23601

(\*\*) Term: **14 Years**

(21) Appl. No.: **29/112,079**

(22) Filed: **Oct. 8, 1999**

(51) **LOC (7) Cl.** ..... **12-02**

(52) **U.S. Cl.** ..... **D34/14; D34/19**

(58) **Field of Search** ..... **D34/12-27; 296/22**

(56) **References Cited**

**U.S. PATENT DOCUMENTS**

2,429,523	A	10/1947	Murphy	
2,875,012	A	2/1959	Riley	
3,997,028	A	12/1976	Lopez	
4,161,234	A	7/1979	Munn	
D276,754	S	* 12/1984	Smith	D34/20
D322,351	S	* 12/1991	O'Brien	D34/18
D330,651	S	11/1992	Battaglia	
5,390,834	A	2/1995	Bitter et al.	
D381,165	S	* 7/1997	Mates et al.	D34/20

\* cited by examiner

Primary Examiner—Kay H. Chin

(57) **CLAIM**

The ornamental design for a set of serving trays, as shown and described.

**DESCRIPTION**

FIG. 1 is a front elevational view of the set of serving trays of the present invention;  
 FIG. 2 is a rear elevational view of the set of serving trays of FIG. 1;  
 FIG. 3 is a left side elevational view of the set of serving trays of FIG. 1;  
 FIG. 4 is a right side elevational view of the set of serving trays of FIG. 1;  
 FIG. 5 is a top plan view of the set of serving trays of FIG. 1;  
 FIG. 6 is a bottom plan view of the set of serving trays of FIG. 1;  
 FIG. 7 is a front elevational view of the set of serving trays of FIG. 1 in an alternate position;  
 FIG. 8 is a top, front and right side perspective view of the set of serving trays of FIG. 1; and,  
 FIG. 9 is a top, front and right side perspective view of the set of serving trays of FIG. 7.  
 The broken lines showing of letters in FIGS. 1, 3, 4 and 7 are for illustrative purposes only and form no part of the claimed design.

**1 Claim, 9 Drawing Sheets**

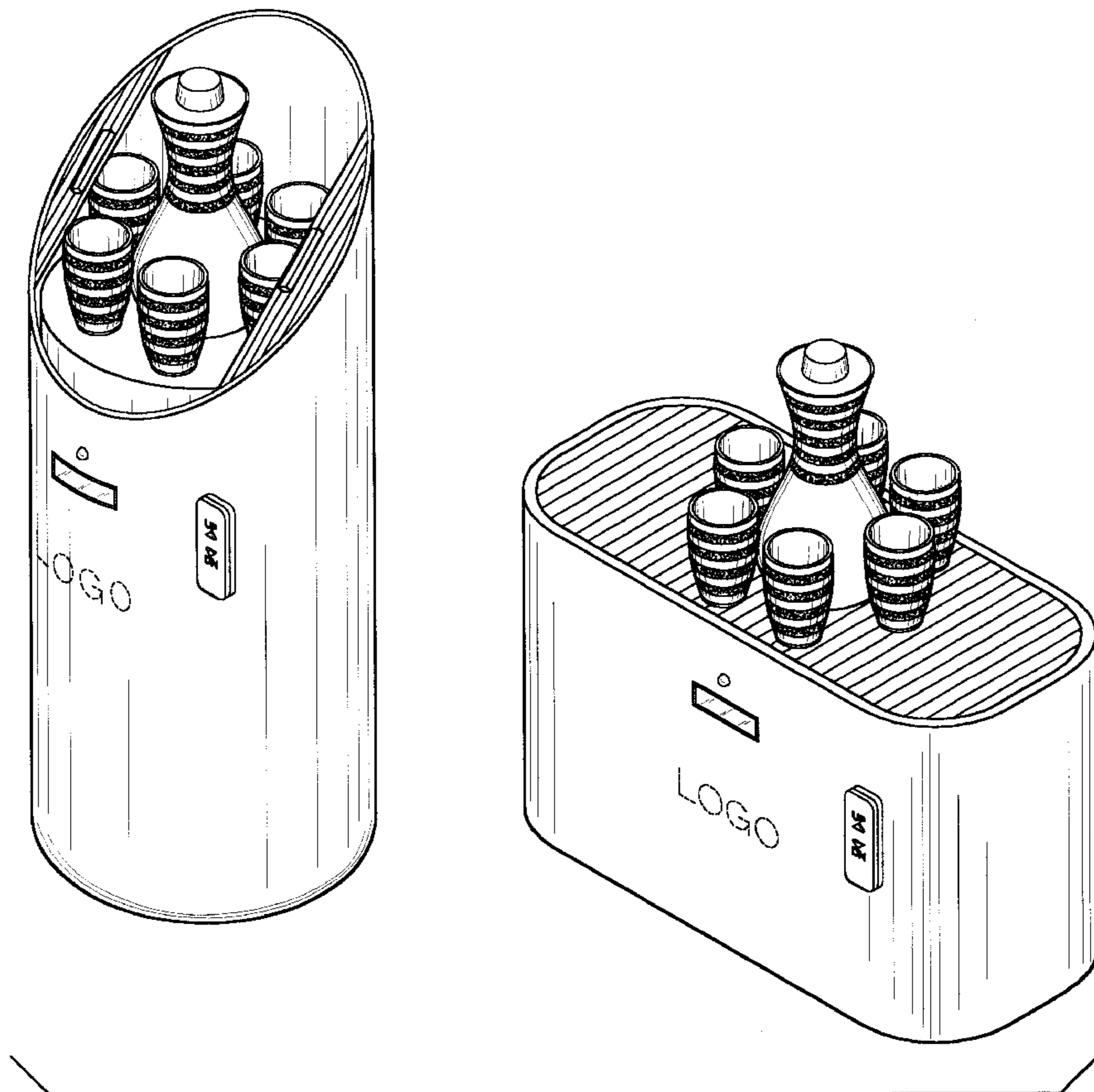
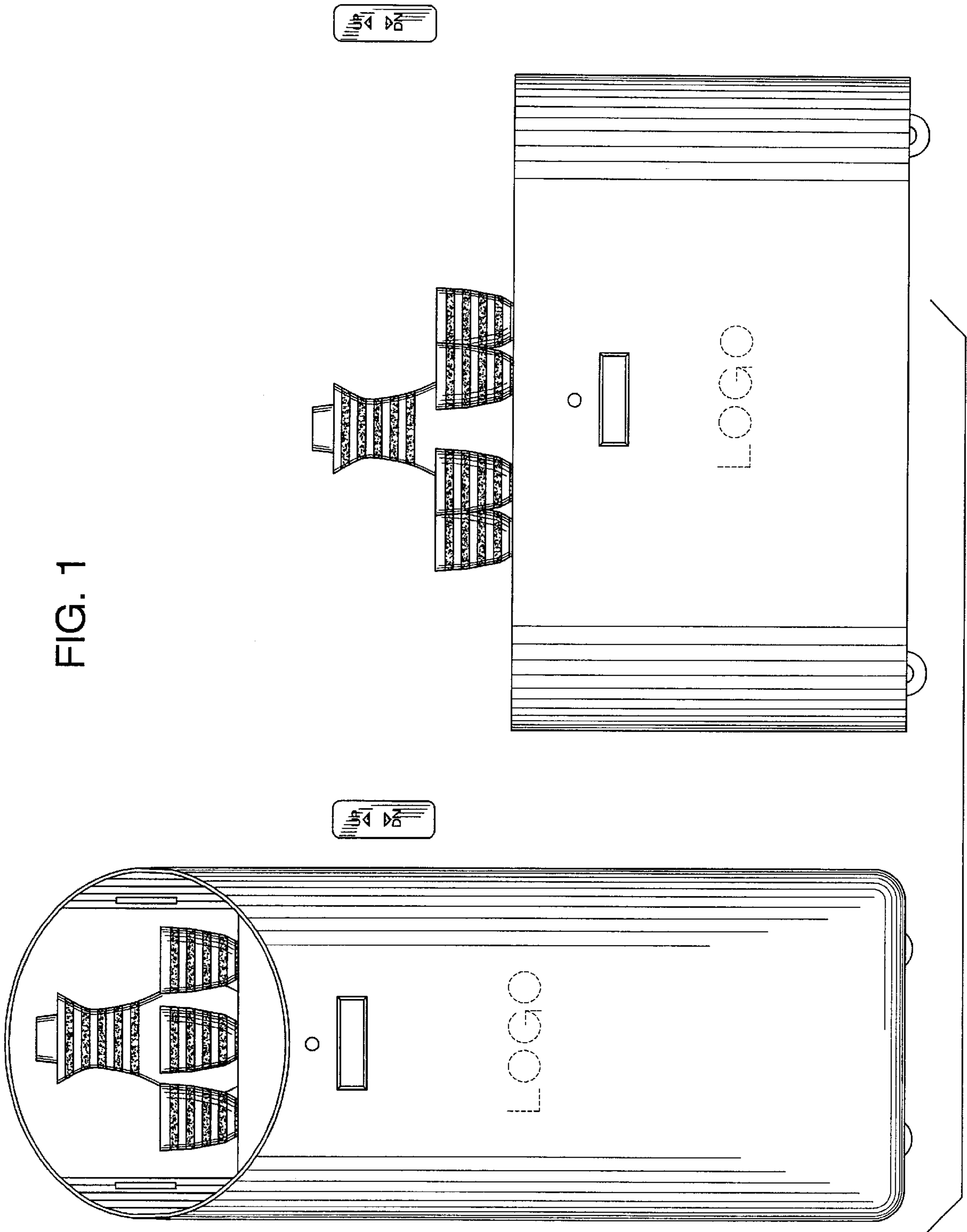


FIG. 1



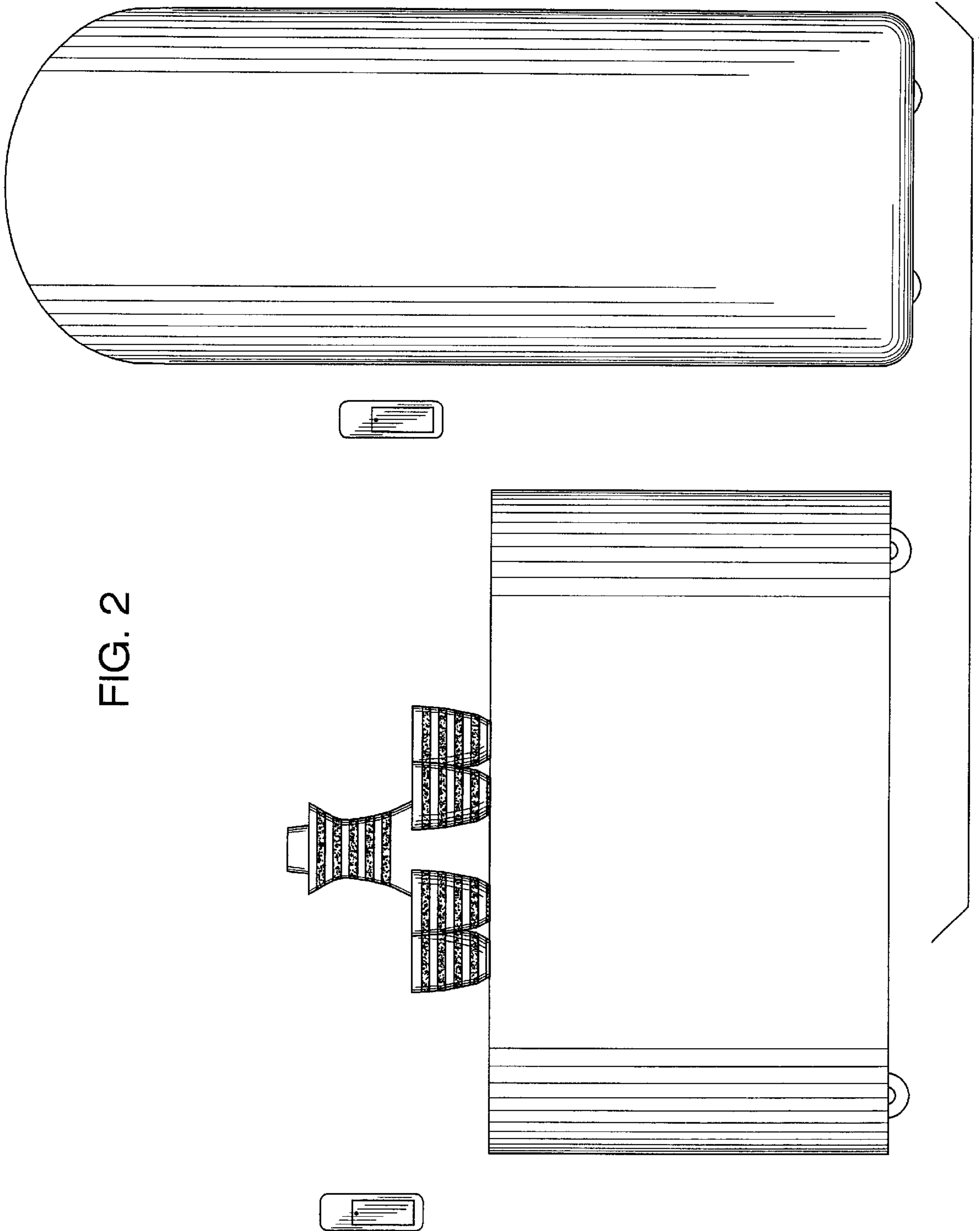


FIG. 3

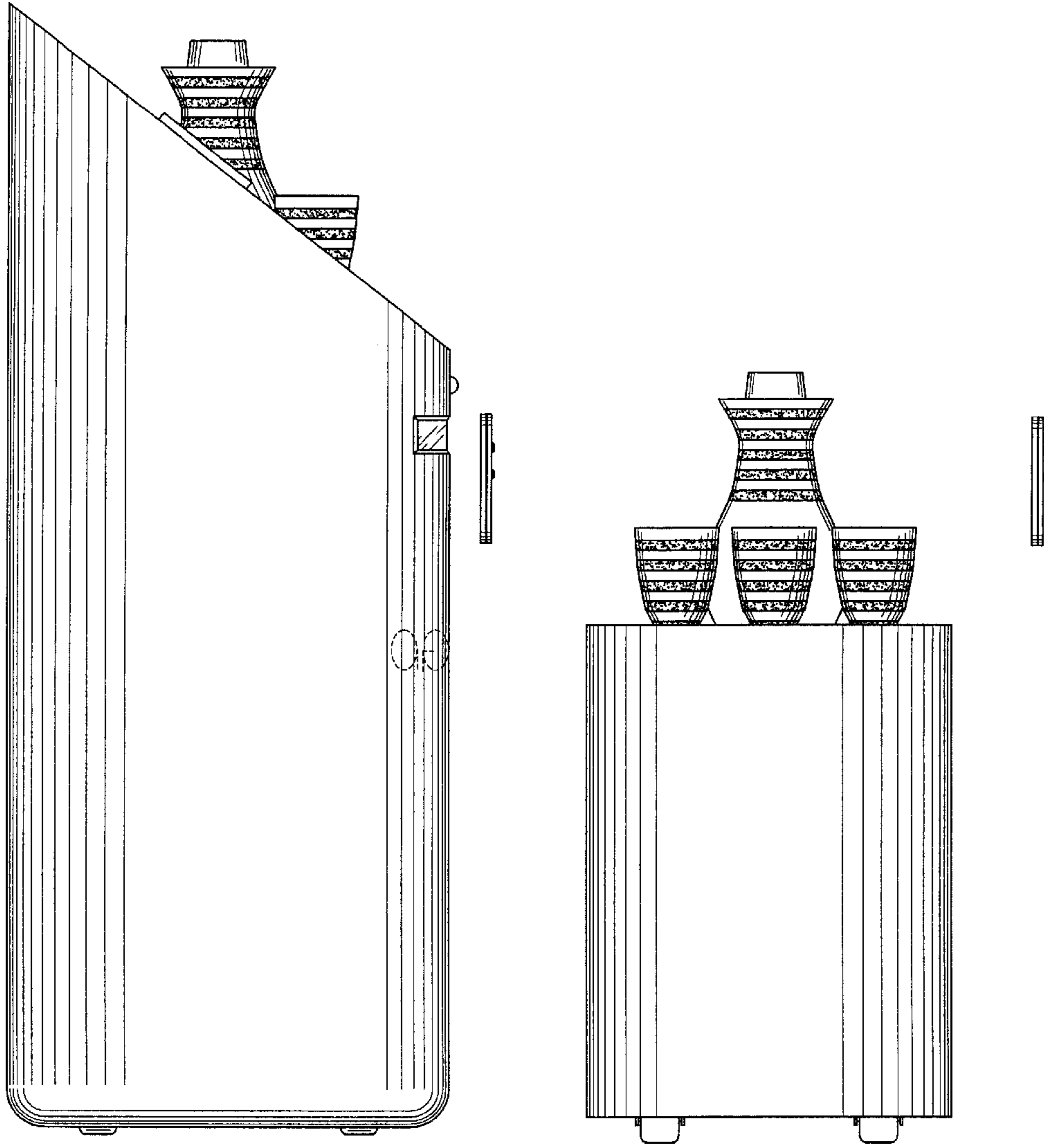
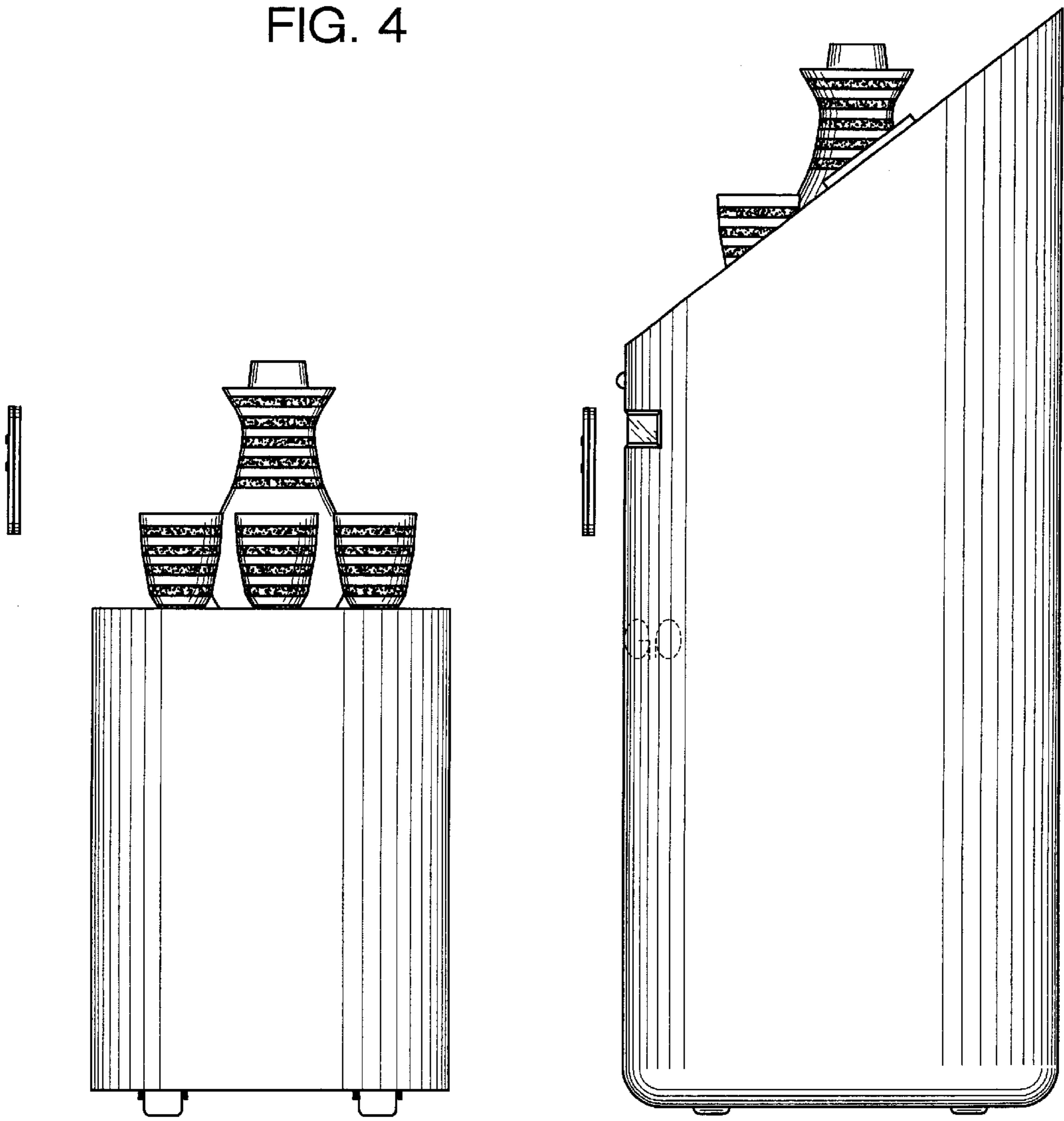


FIG. 4



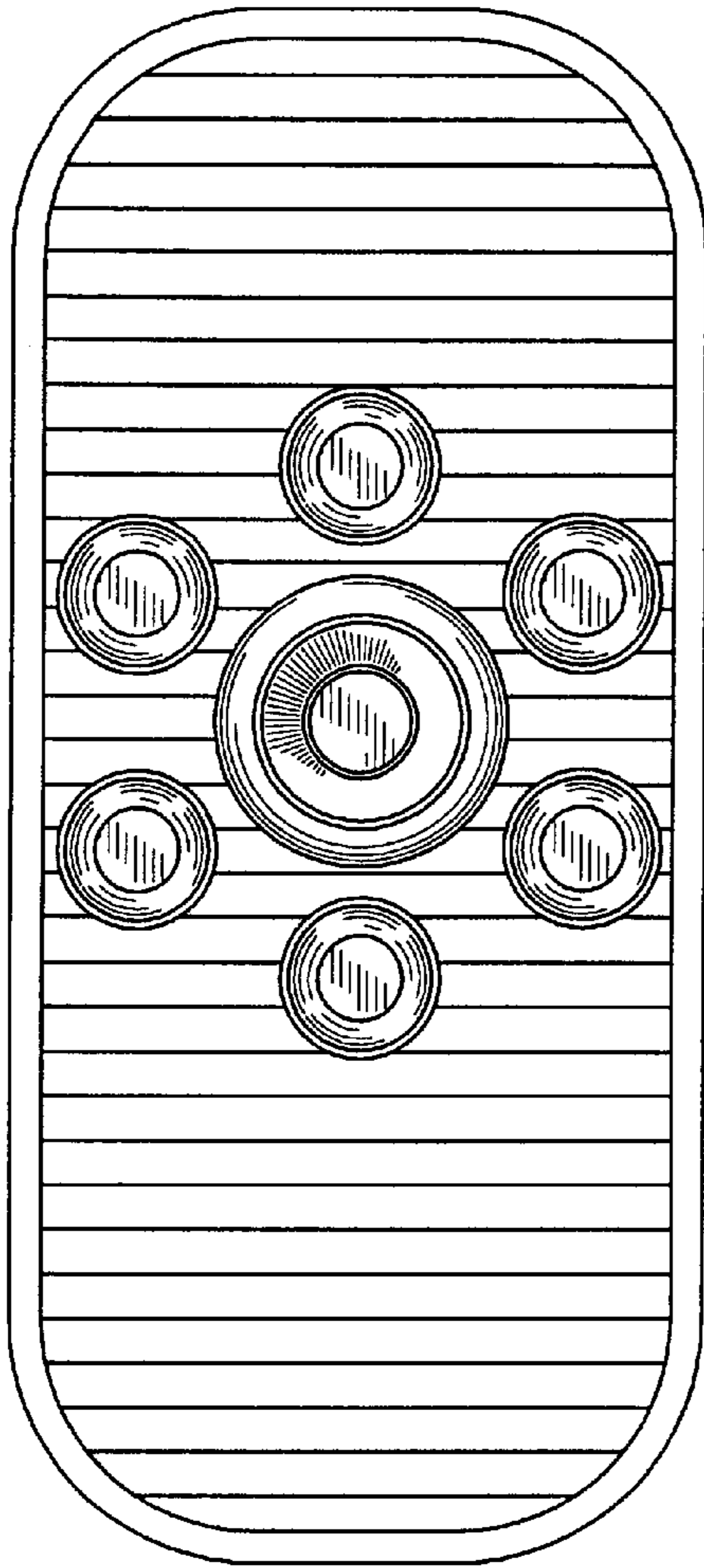


FIG. 5

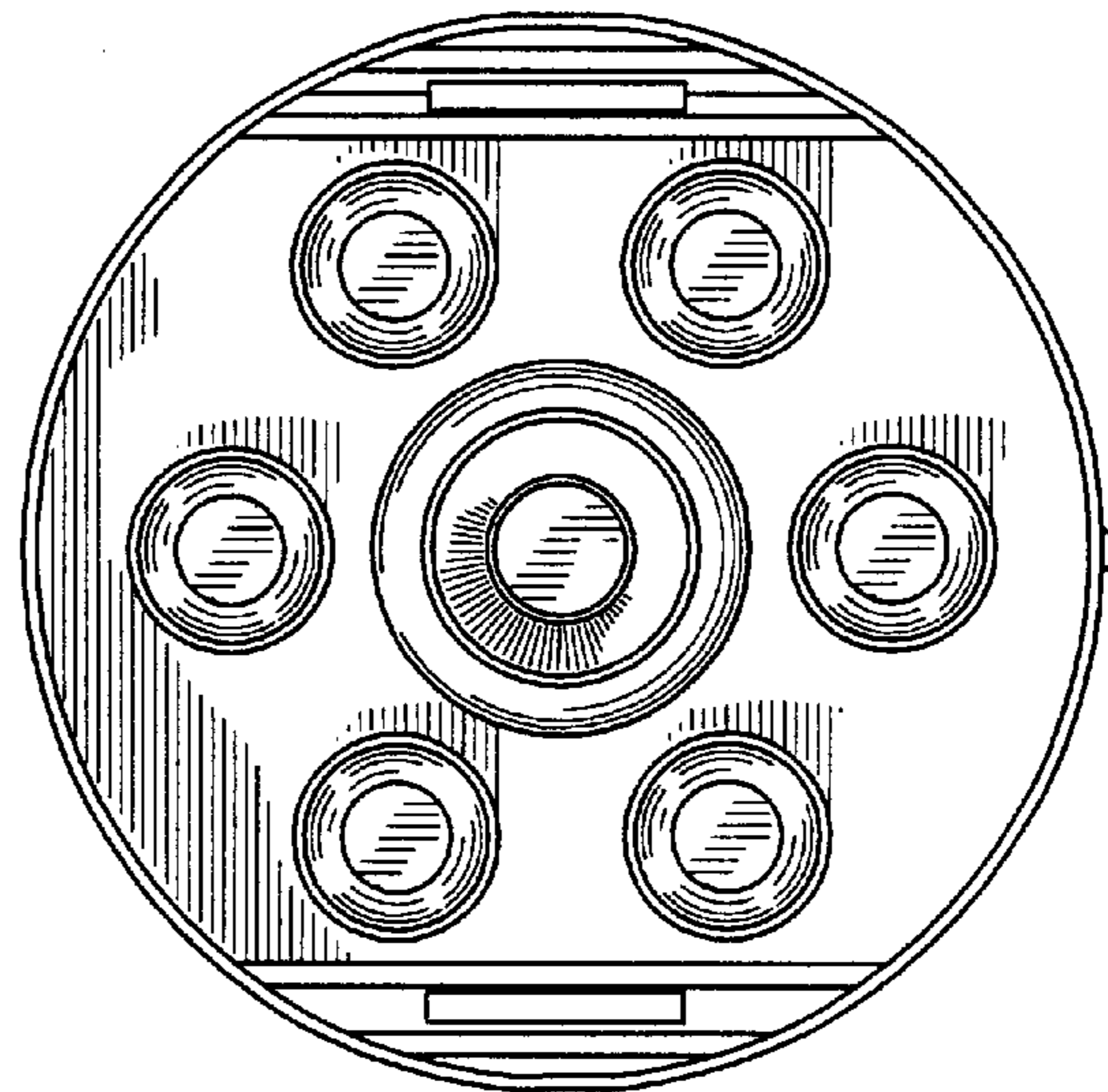


FIG. 6

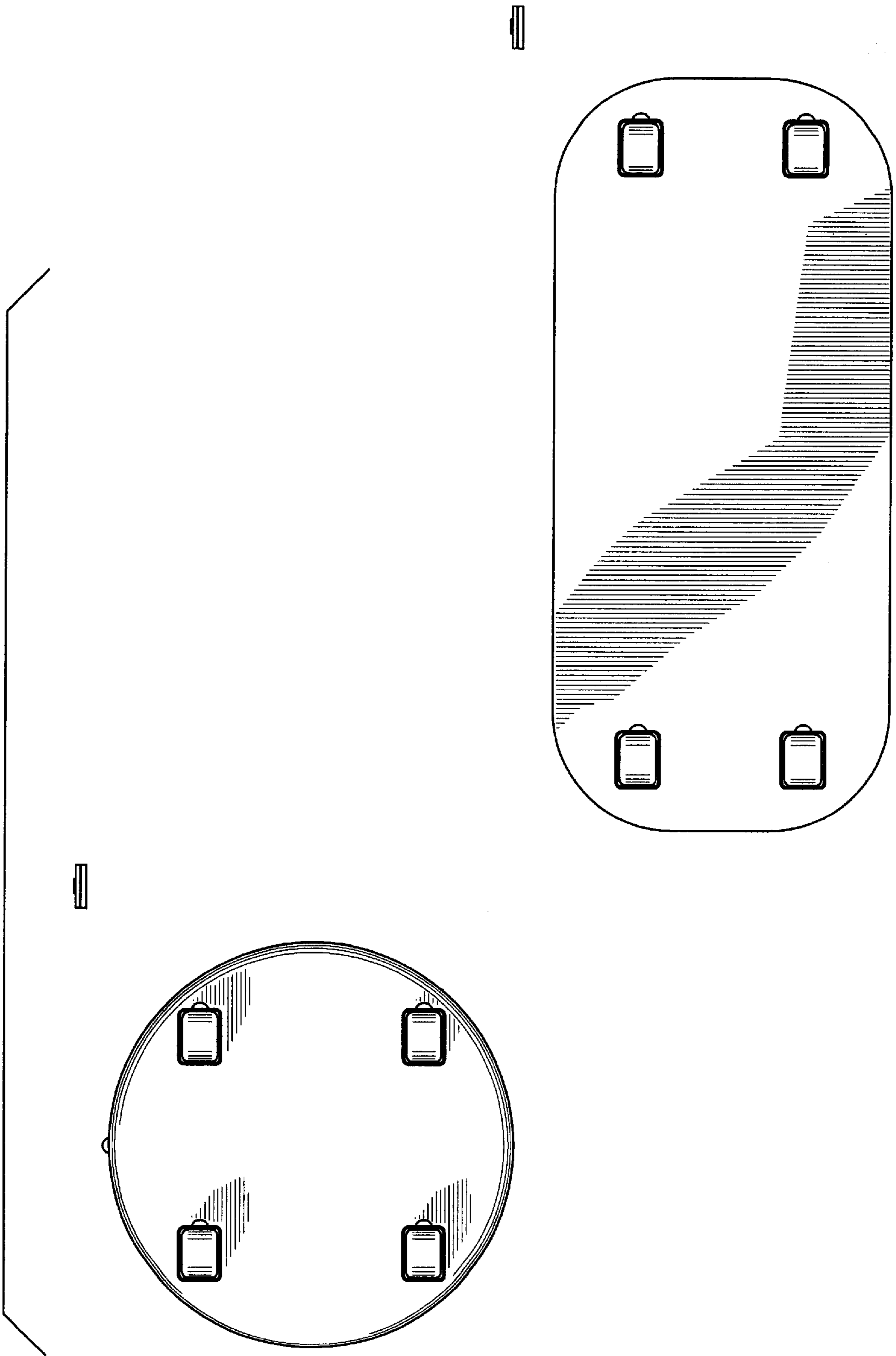


FIG. 7

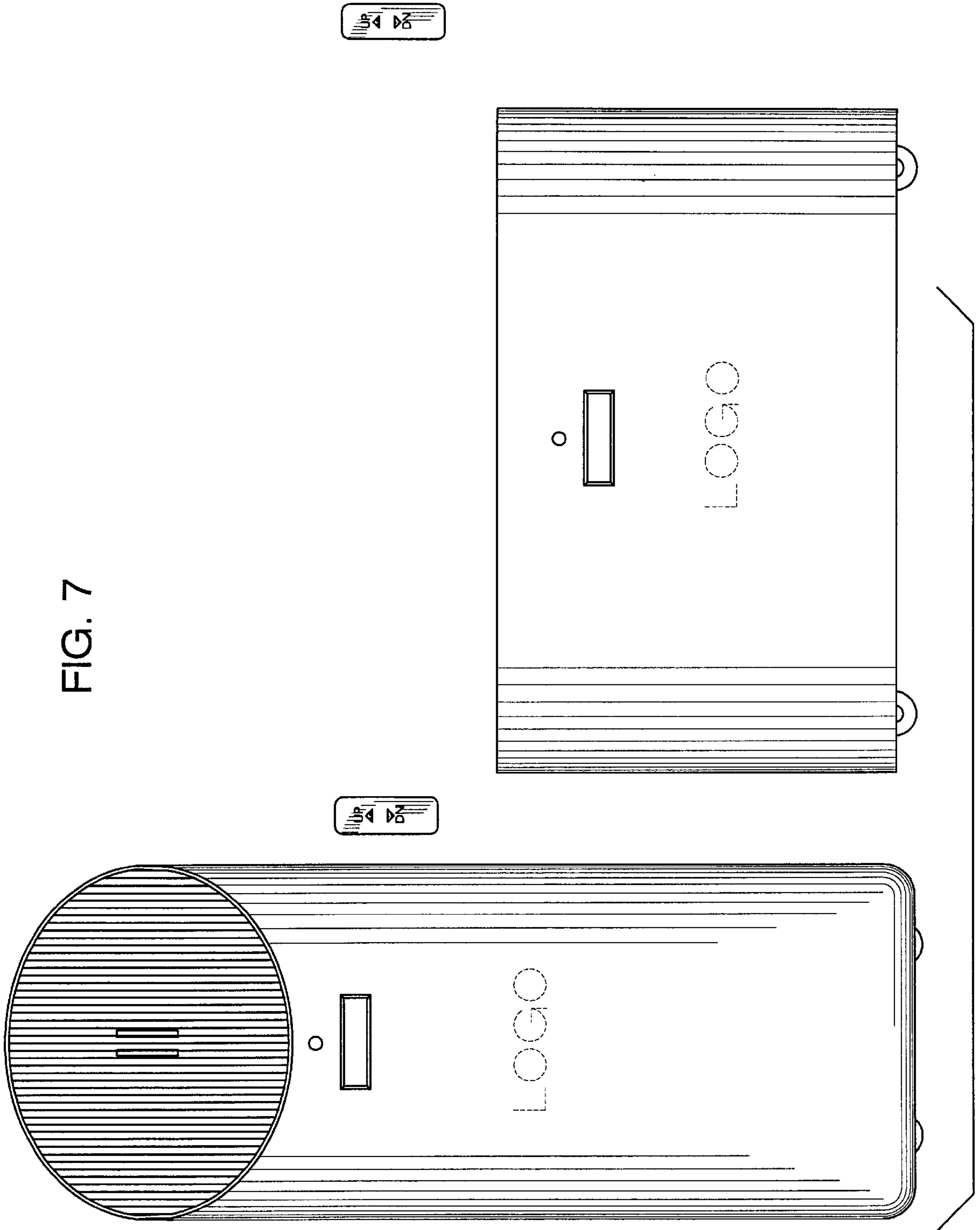




FIG. 8

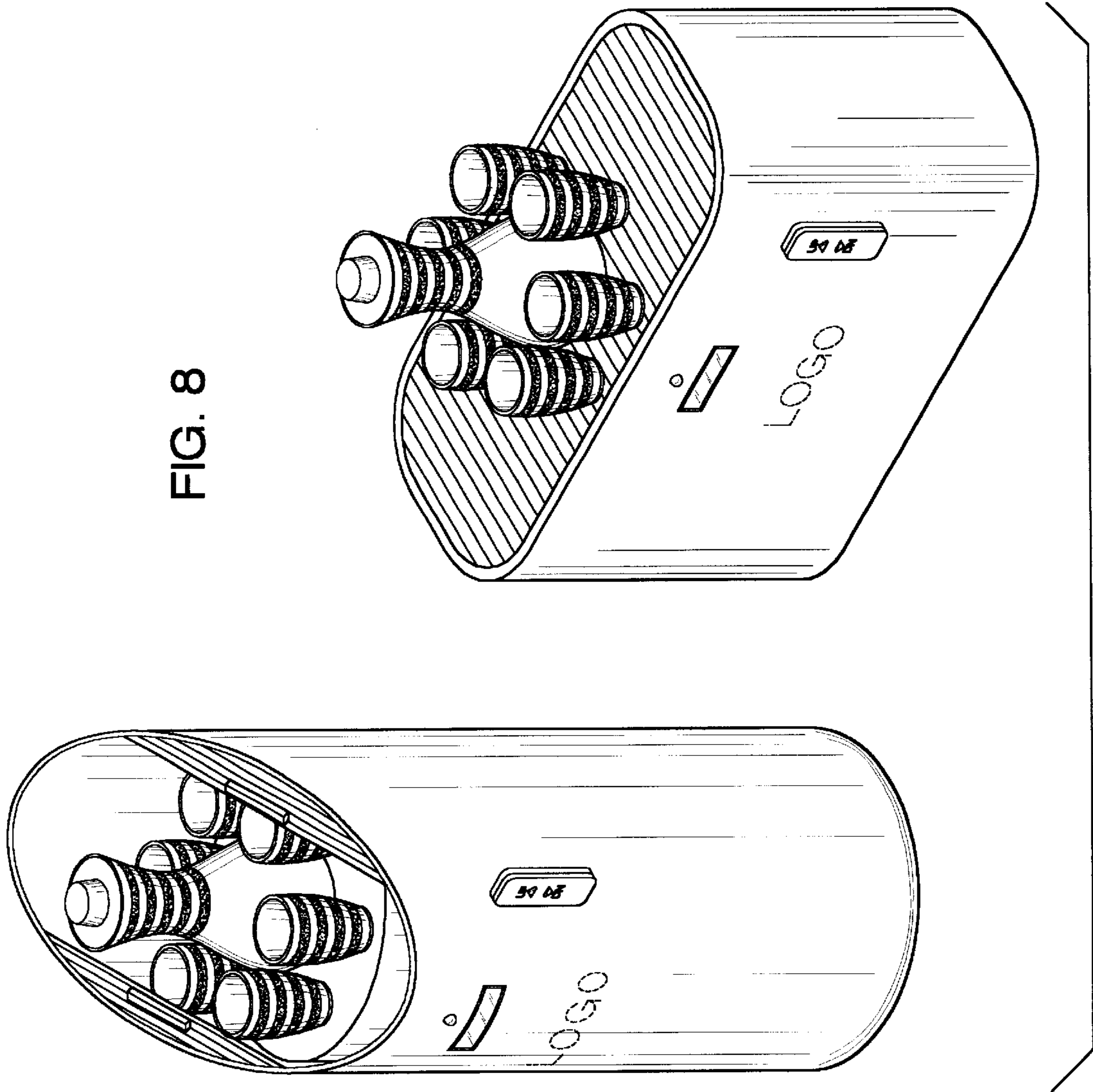


FIG. 9

