



US00D453404S

(12) **United States Design Patent**
Farone et al.

(10) **Patent No.:** **US D453,404 S**

(45) **Date of Patent:** **** Feb. 5, 2002**

(54) **UPPER HANDLE FOR A VACUUM CLEANER**

(75) Inventors: **Richard C. Farone**, Willoughby;
Jeffrey M. Kalman, Cleveland Heights;
Craig M. Saunders, Rocky River;
Cynthia M. Caffoe, Cleveland Heights;
Michael F. Wright, Stow, all of OH
(US)

(73) Assignee: **Royal Appliance Mfg. Co.**,
Glenwillow, OH (US)

(**) Term: **14 Years**

(21) Appl. No.: **29/135,497**

(22) Filed: **Jan. 11, 2001**

(51) **LOC (7) Cl.** **15-05**

(52) **U.S. Cl.** **D32/34**

(58) **Field of Search** D32/22, 25, 31,
D32/34; 15/320, 323, 347, 350, 352-353,
335, 337, 361, 379, 400, 410, DIG. 8, DIG. 10;
D4/138

(56) **References Cited**

U.S. PATENT DOCUMENTS

- D347,500 S 5/1994 Abe et al.
- D387,518 S * 12/1997 Medema D32/22
- D398,098 S 9/1998 Mehaffey et al.
- D403,482 S * 12/1998 Essex et al. D32/31

- D426,038 S 5/2000 Essex et al.
- D428,677 S 7/2000 Saunders et al.
- 6,106,182 A * 8/2000 Hamm et al. 403/96
- 6,145,159 A * 11/2000 Zahuranec et al. 15/320
- D443,121 S * 5/2001 Hamm et al. D32/34

* cited by examiner

Primary Examiner—Ruth McInroy

(74) *Attorney, Agent, or Firm*—Fay, Sharpe, Fagan,
Minnich & McKee LLP

(57) **CLAIM**

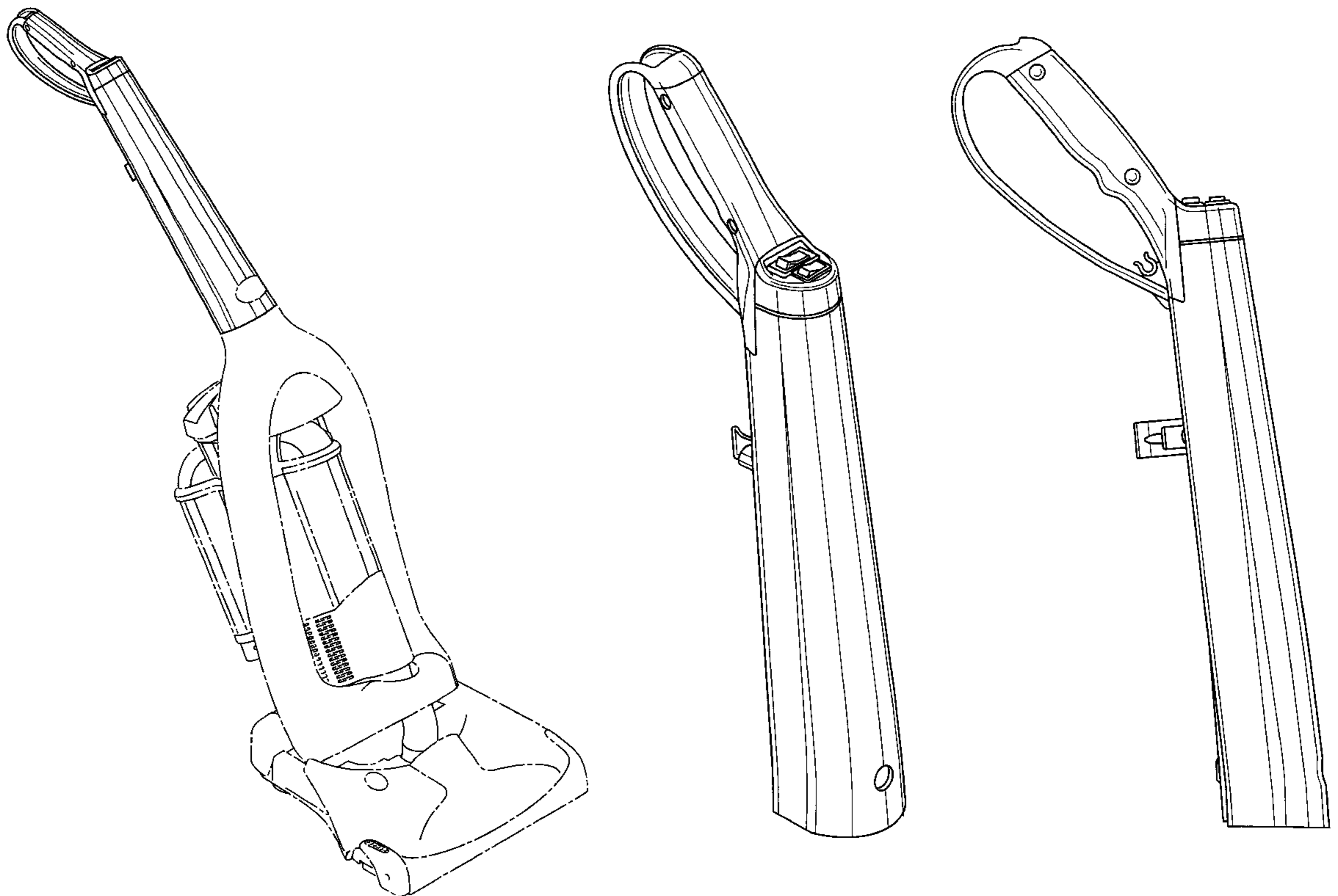
The ornamental design for an upper handle for a vacuum cleaner, as shown and described.

DESCRIPTION

FIG. 1 is a perspective view of an upper handle for a vacuum cleaner showing our new design;
 FIG. 2 is an enlarged perspective view of the upper handle portion alone;
 FIG. 3 is a right side elevational view thereof;
 FIG. 4 is a rear elevational view thereof;
 FIG. 5 is a left side elevational view thereof;
 FIG. 6 is a front elevational view thereof;
 FIG. 7 is a top plan view thereof; and,
 FIG. 8 is a bottom plan view thereof.

The vacuum cleaner parts shown in broken lines in FIG. 1 are shown for illustrative purposes only and form no part of the claimed design.

1 Claim, 5 Drawing Sheets



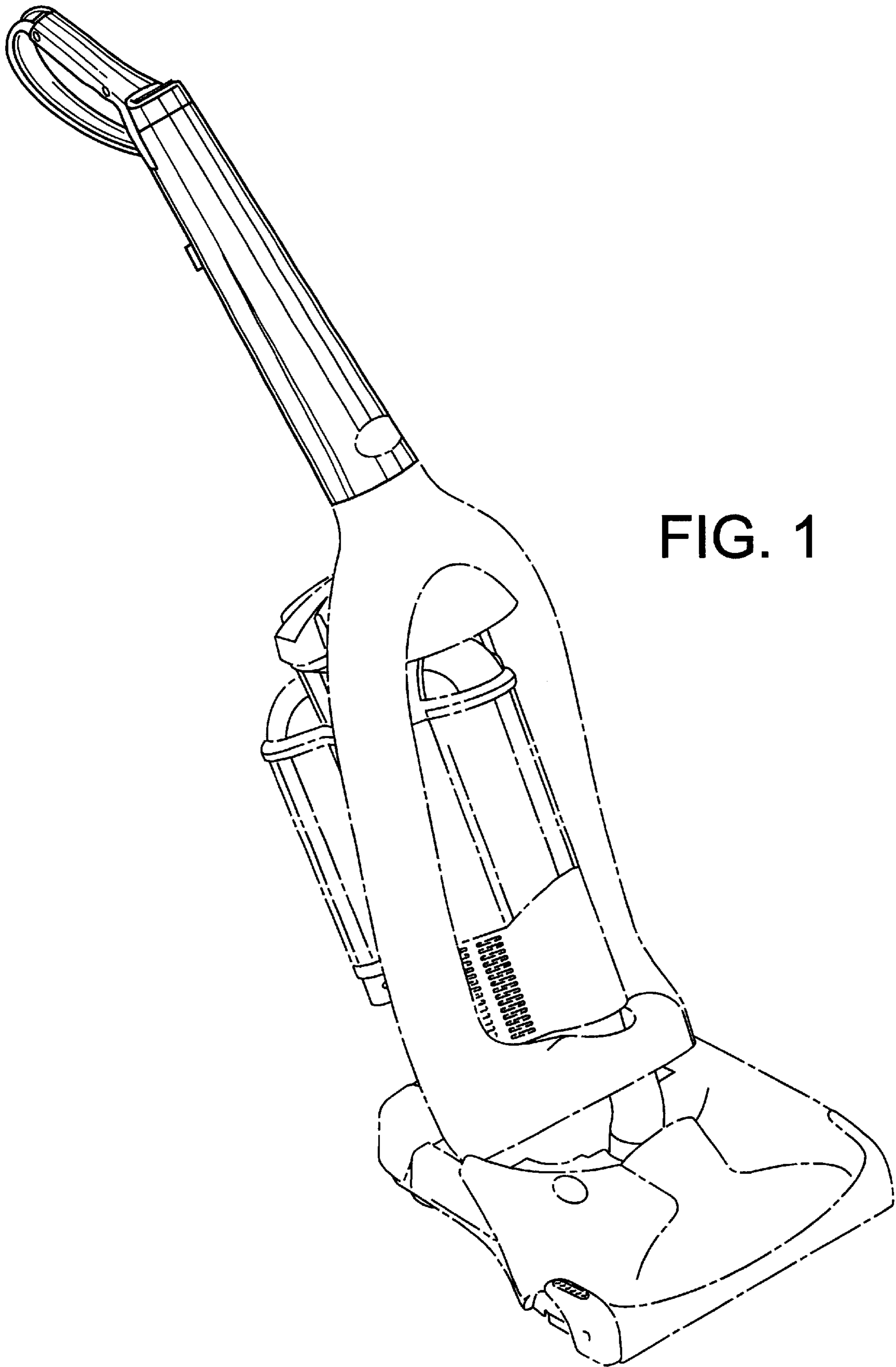


FIG. 1

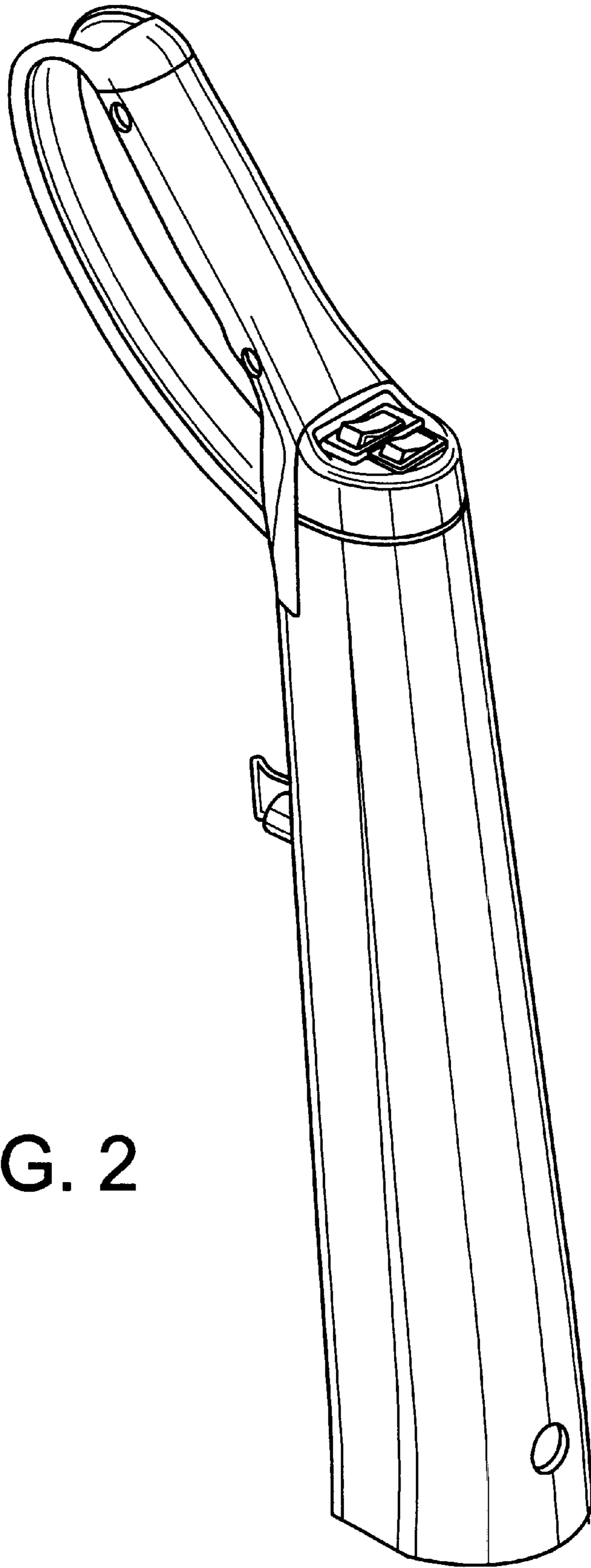


FIG. 2

FIG. 3

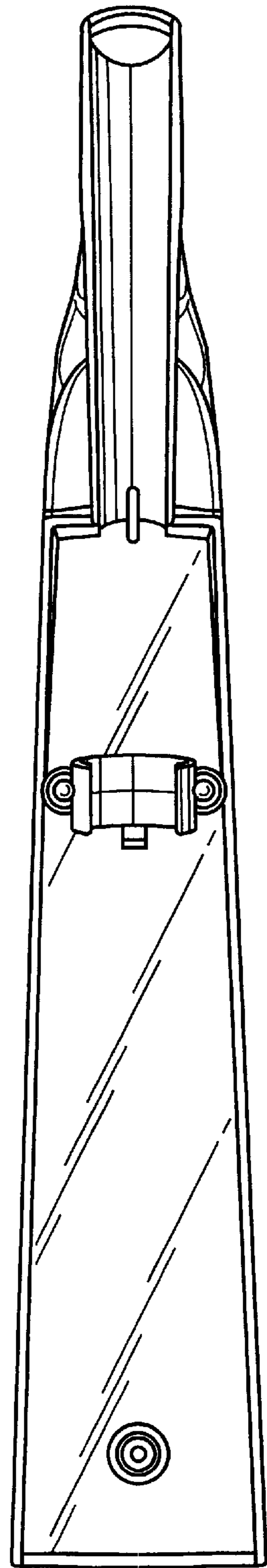
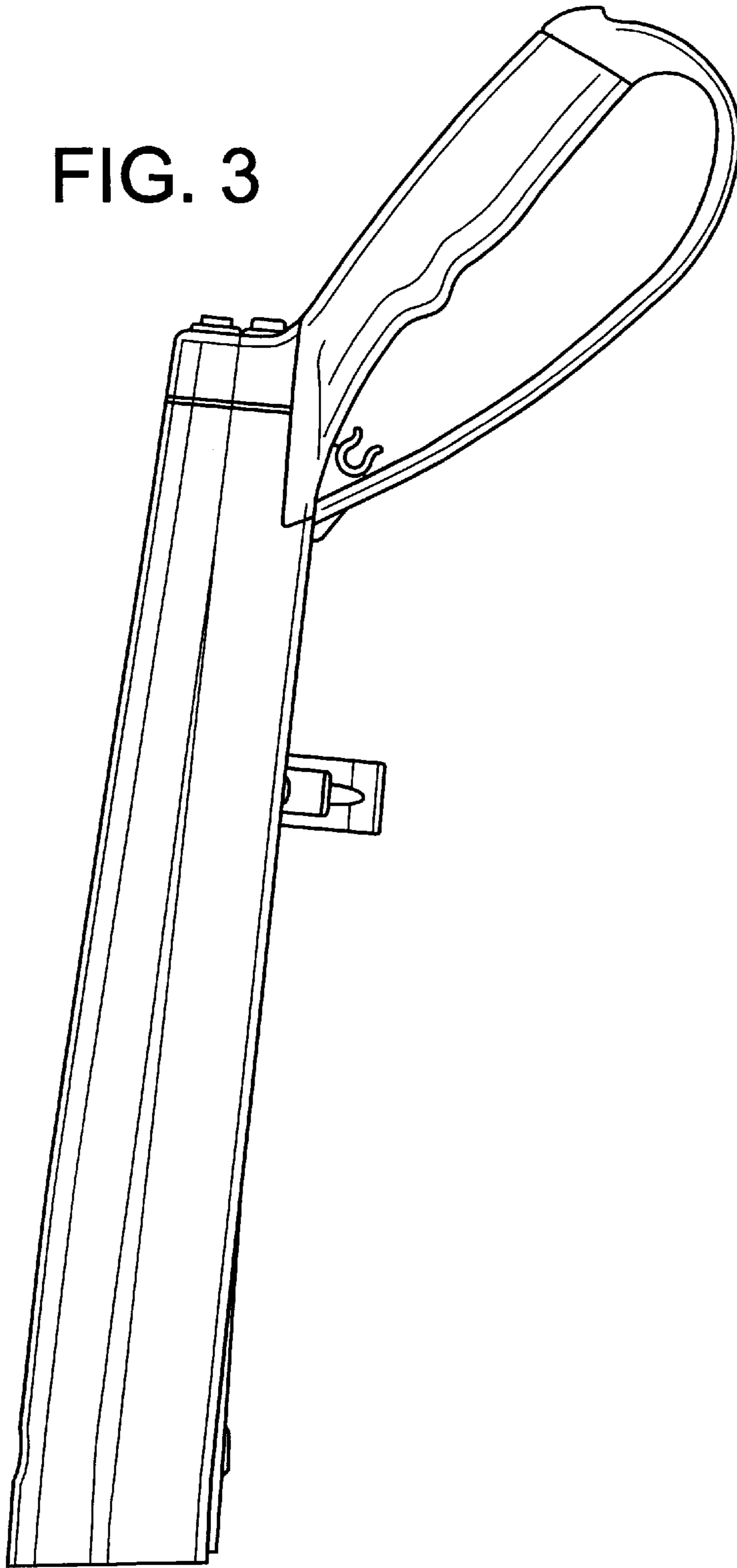


FIG. 4

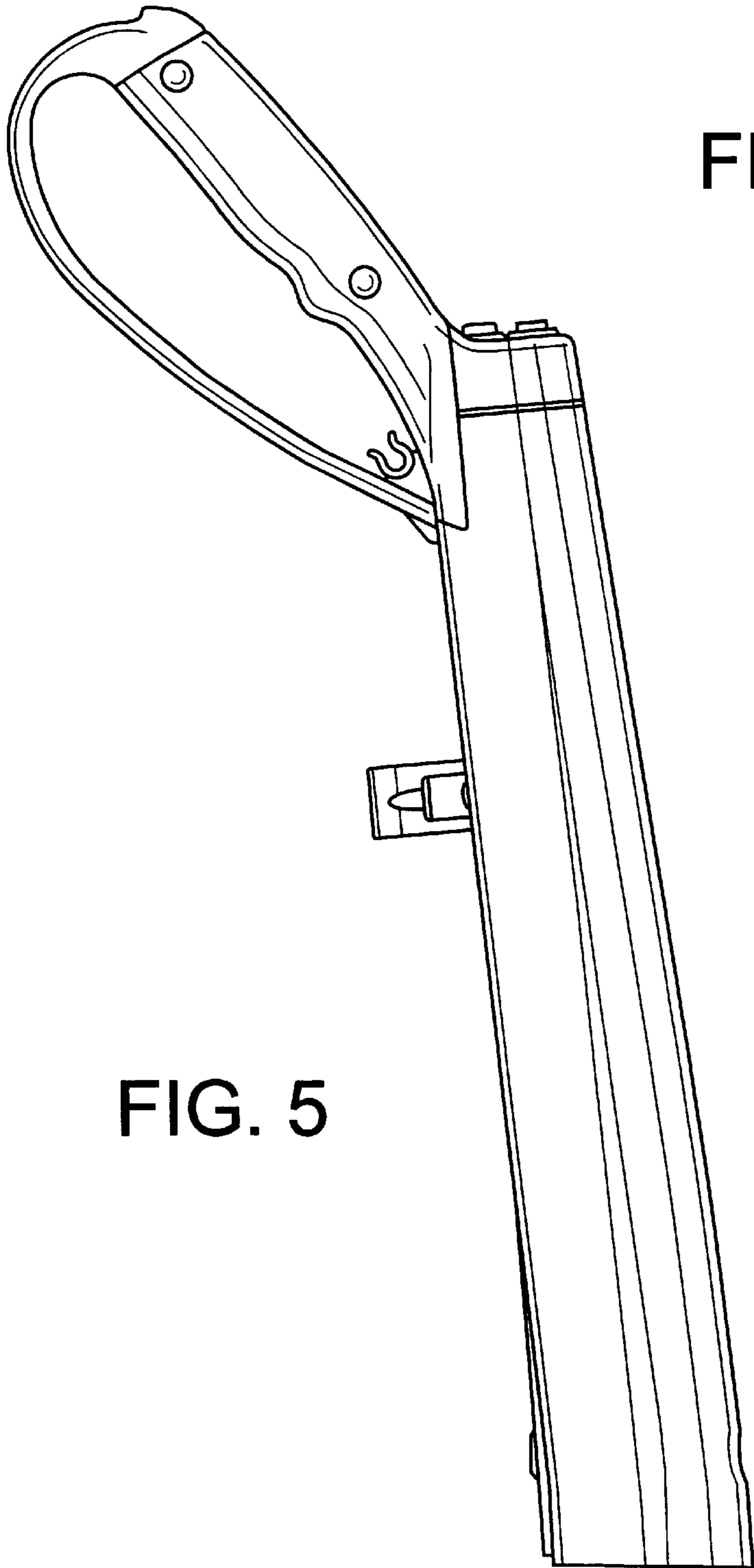
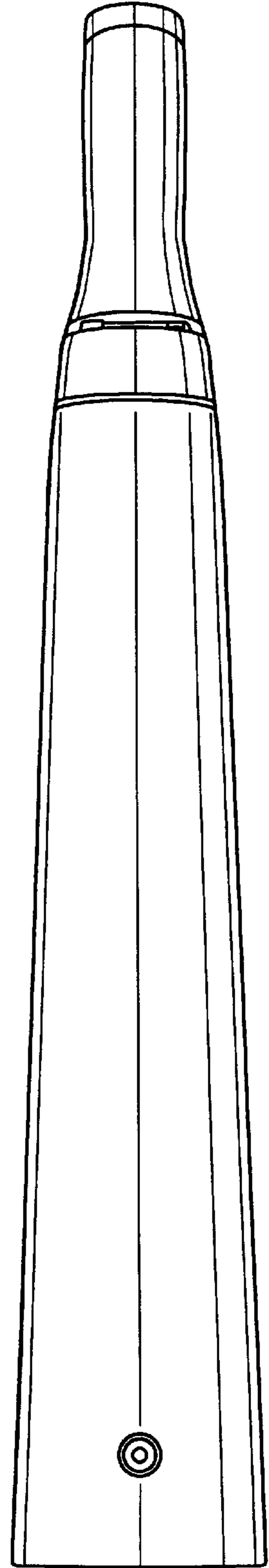


FIG. 5

FIG. 6



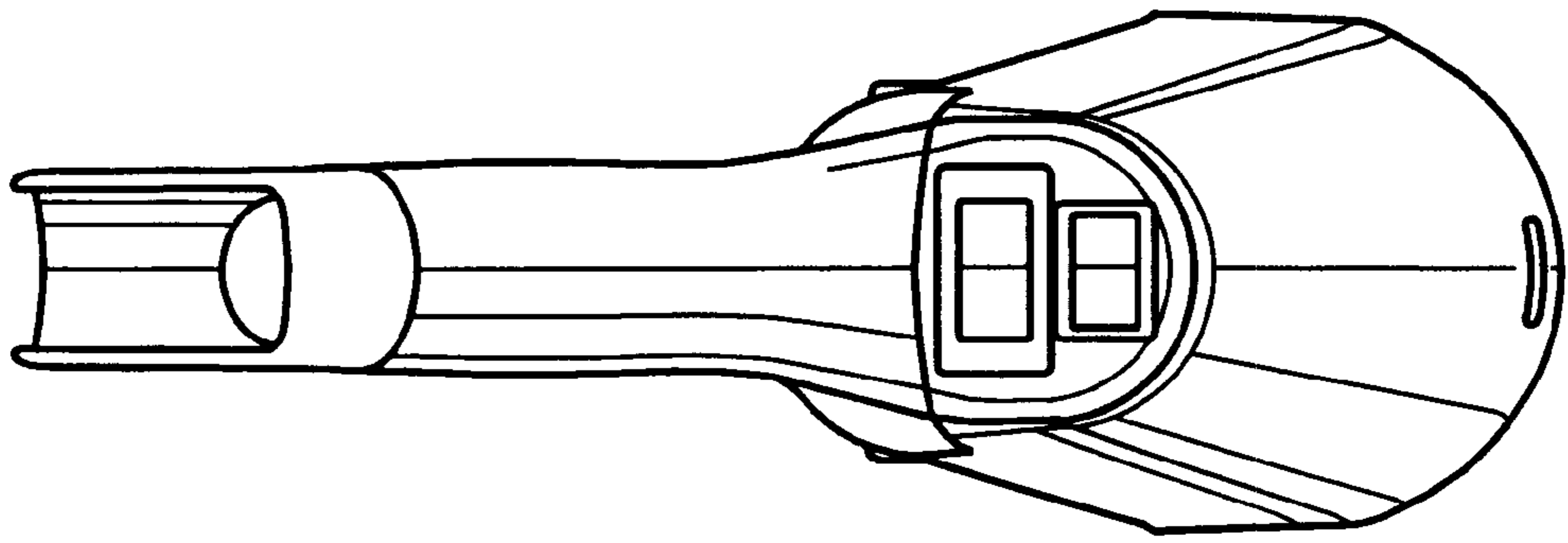


FIG. 7

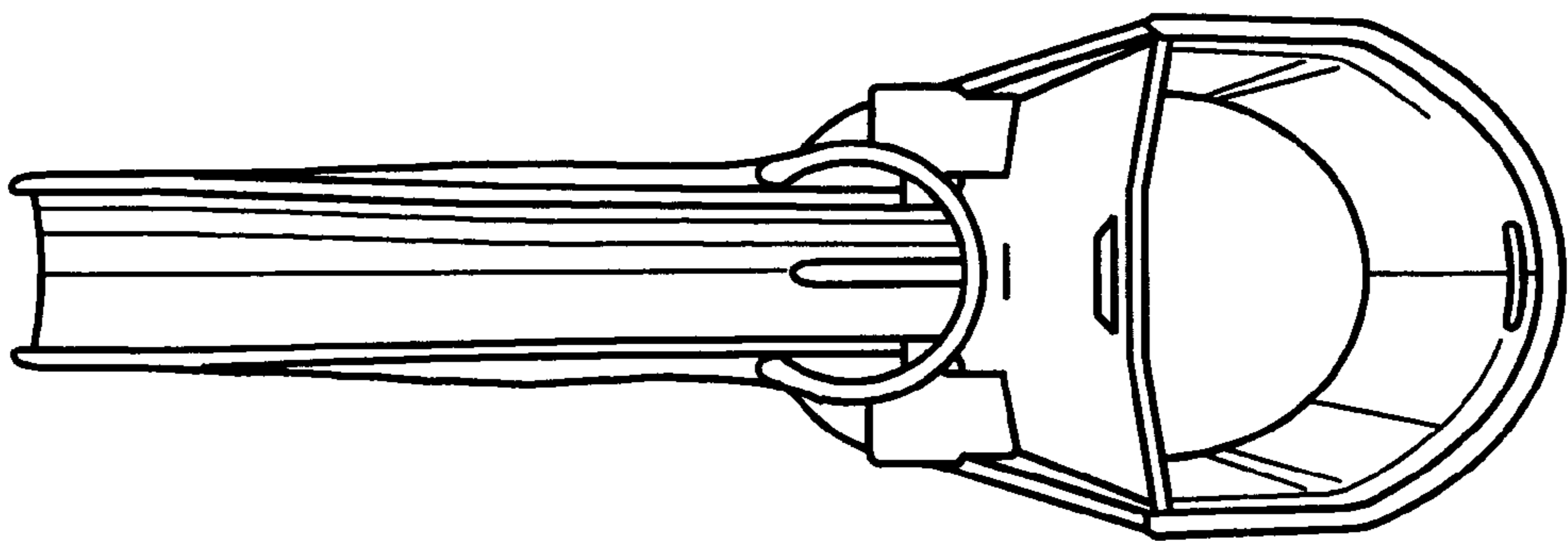


FIG. 8