



US00D453403S

(12) **United States Design Patent**
Stephens et al.

(10) **Patent No.:** **US D453,403 S**

(45) **Date of Patent:** **** Feb. 5, 2002**

(54) **DIRT CUP LID FOR A VACUUM CLEANER**

(75) Inventors: **Paul D. Stephens**, Twinsburg; **Jeffrey M. Kalman**, Cleveland Heights; **Charles J. Thur**, Chardon, all of OH (US)

(73) Assignee: **Royal Appliance Mfg. Co.**, Glenwillow, OH (US)

(**) Term: **14 Years**

(21) Appl. No.: **29/135,440**

(22) Filed: **Jan. 11, 2001**

(51) **LOC (7) Cl.** **15-05**

(52) **U.S. Cl.** **D32/30**

(58) **Field of Search** D32/22, 25, 30-31, D32/34; 15/320-323, 347, 350, 352-353, DIG. 8, DIG. 10; 55/337, 429, 266, 310-311, 345, 420; 95/12, 19, 271

(56) **References Cited**

U.S. PATENT DOCUMENTS

- 6,026,540 A * 2/2000 Wright et al. 15/347
- 6,070,291 A * 6/2000 Bair et al.
- D433,201 S * 10/2000 Wright et al. D32/30
- 6,138,322 A * 10/2000 Crouser et al. 15/337
- 6,141,826 A * 11/2000 Conrad et al. 15/347

- 6,162,287 A * 12/2000 Rohn et al. 96/333
- 6,230,362 B1 * 5/2001 Kasper et al. 15/320
- D444,275 S * 6/2001 Mehaffey D32/30

* cited by examiner

Primary Examiner—Ruth McInroy

(74) *Attorney, Agent, or Firm*—Fay, Sharpe, Fagan, Minnich & McKee, LLP

(57) **CLAIM**

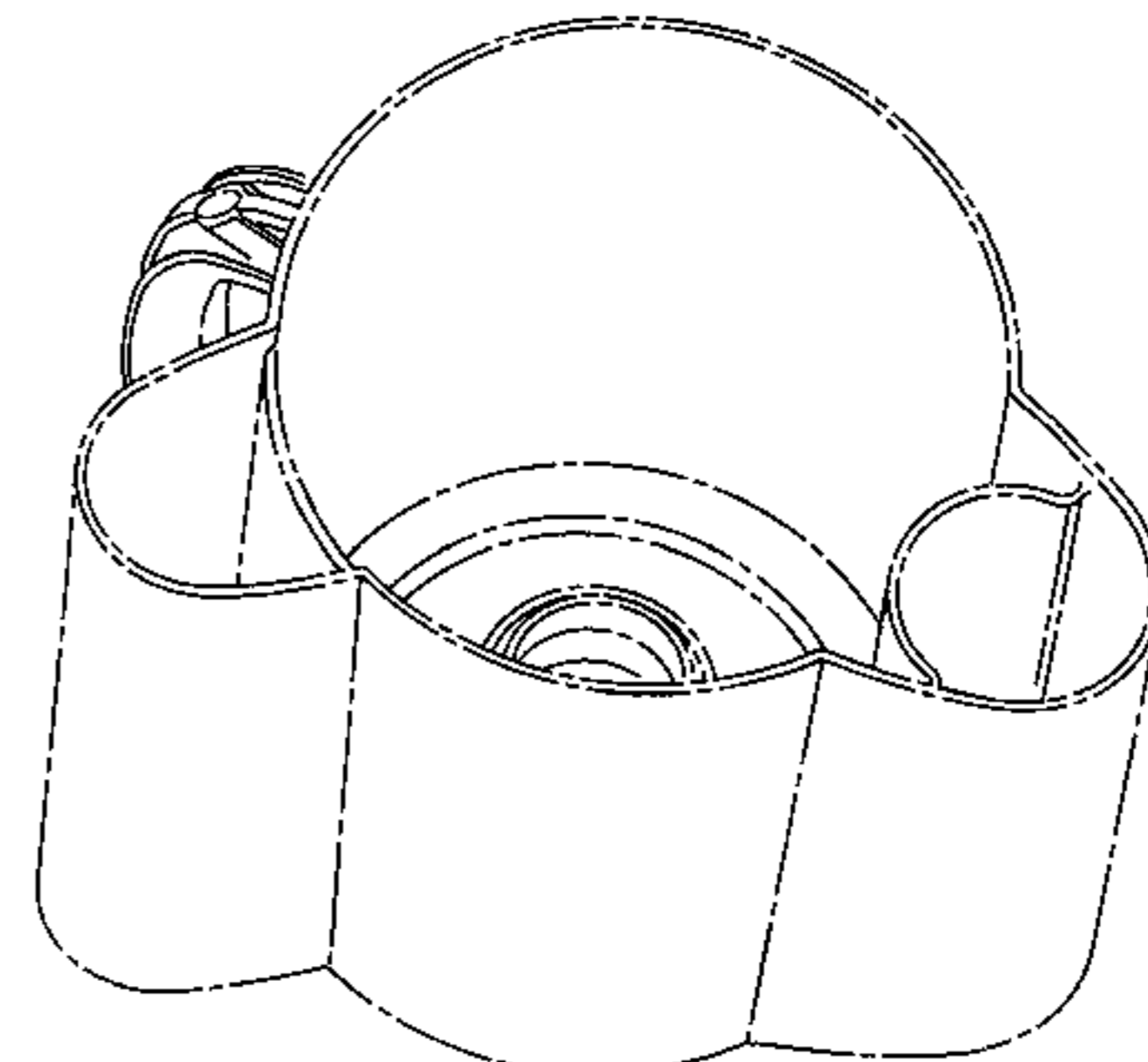
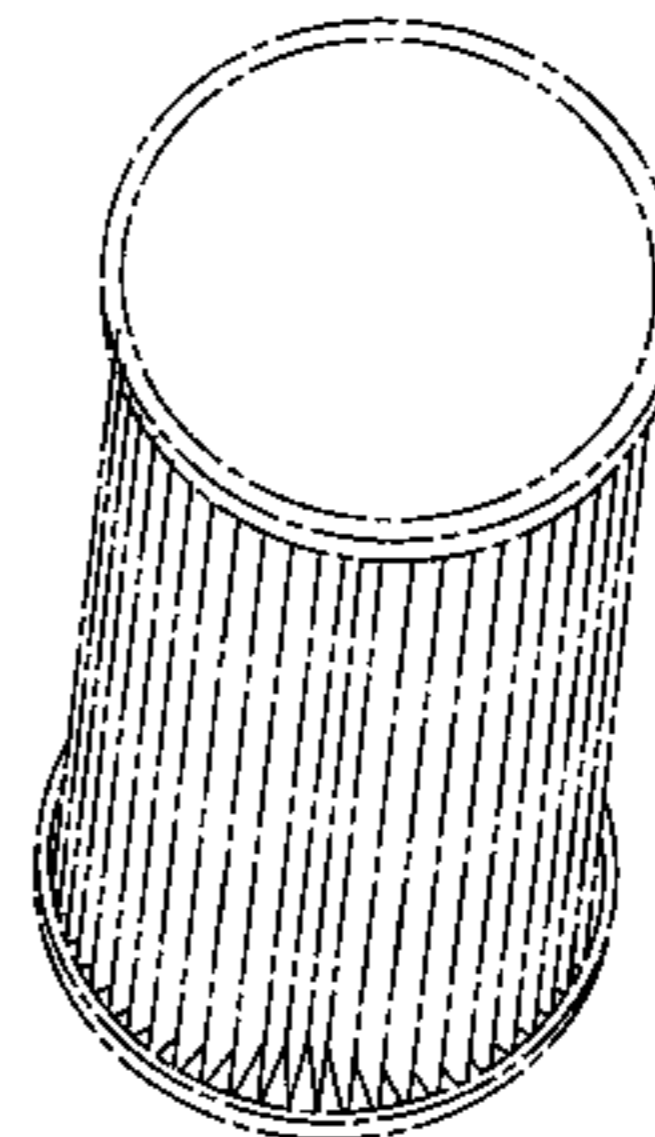
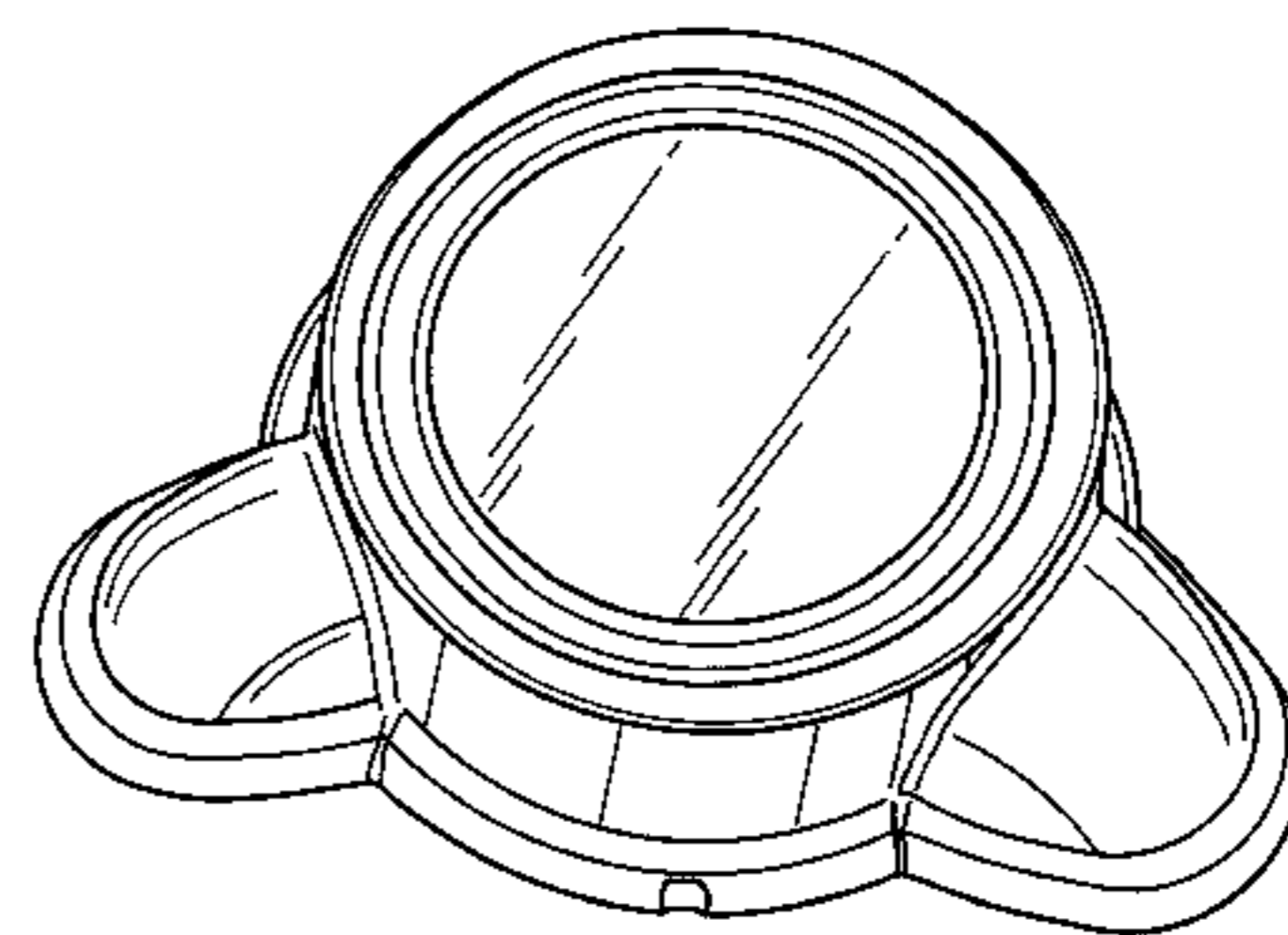
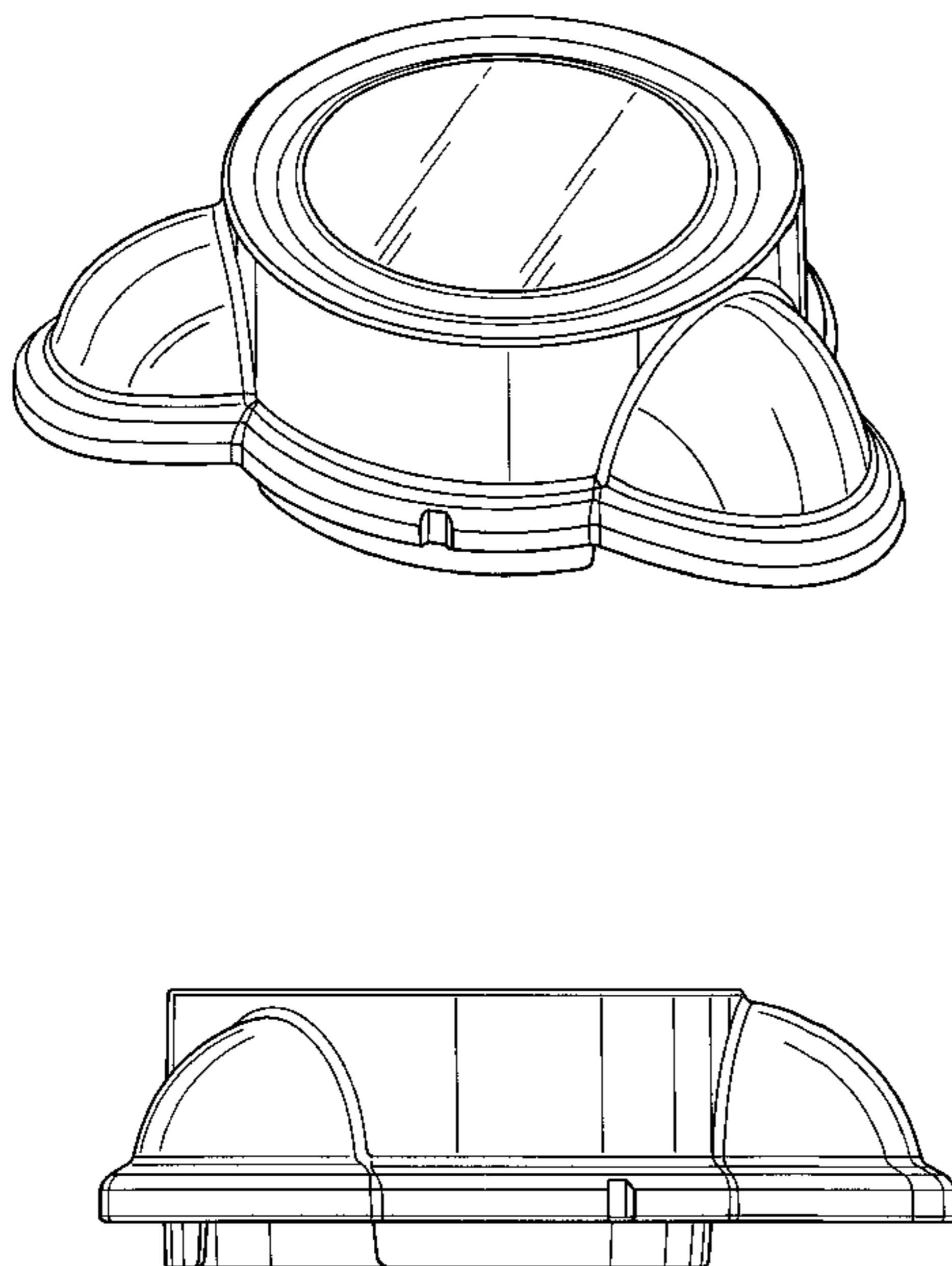
The ornamental design for a dirt cup lid for a vacuum cleaner, as shown and described.

DESCRIPTION

FIG. 1 is a perspective view of a dirt cup lid for a vacuum cleaner showing our new design;
 FIG. 2 is a top plan view thereof;
 FIG. 3 is a right side elevational view thereof;
 FIG. 4 is a bottom plan view thereof;
 FIG. 5 is a front elevational view thereof;
 FIG. 6 is a left side elevational view thereof;
 FIG. 7 is a rear elevational view thereof; and,
 FIG. 8 is an exploded perspective view thereof as employed on a dirt cup of a vacuum cleaner.

The vacuum cleaner parts shown in broken lines in FIG. 8 are for illustrative purposes only and form no part of the claimed design.

1 Claim, 4 Drawing Sheets



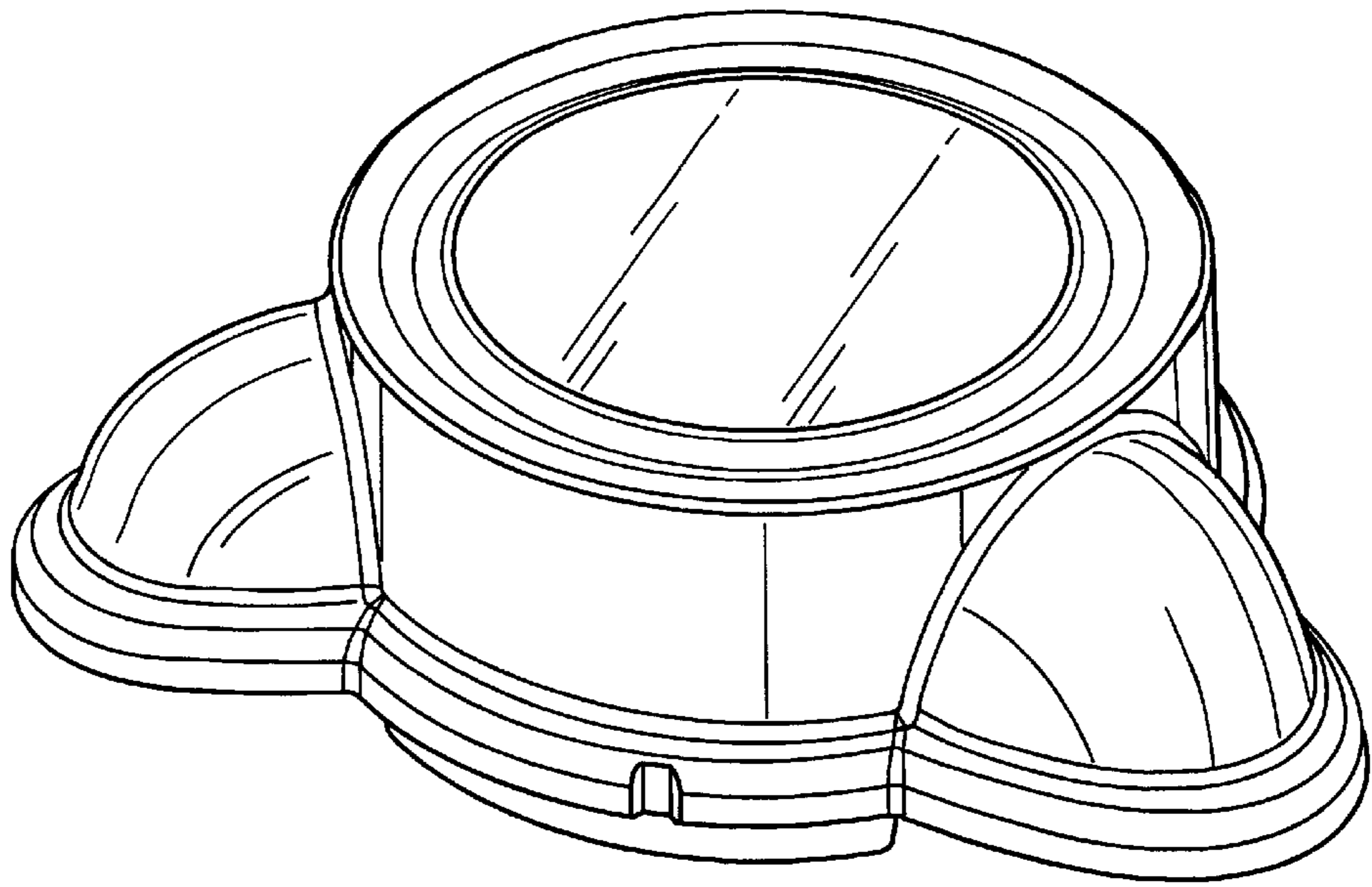


FIG. 1

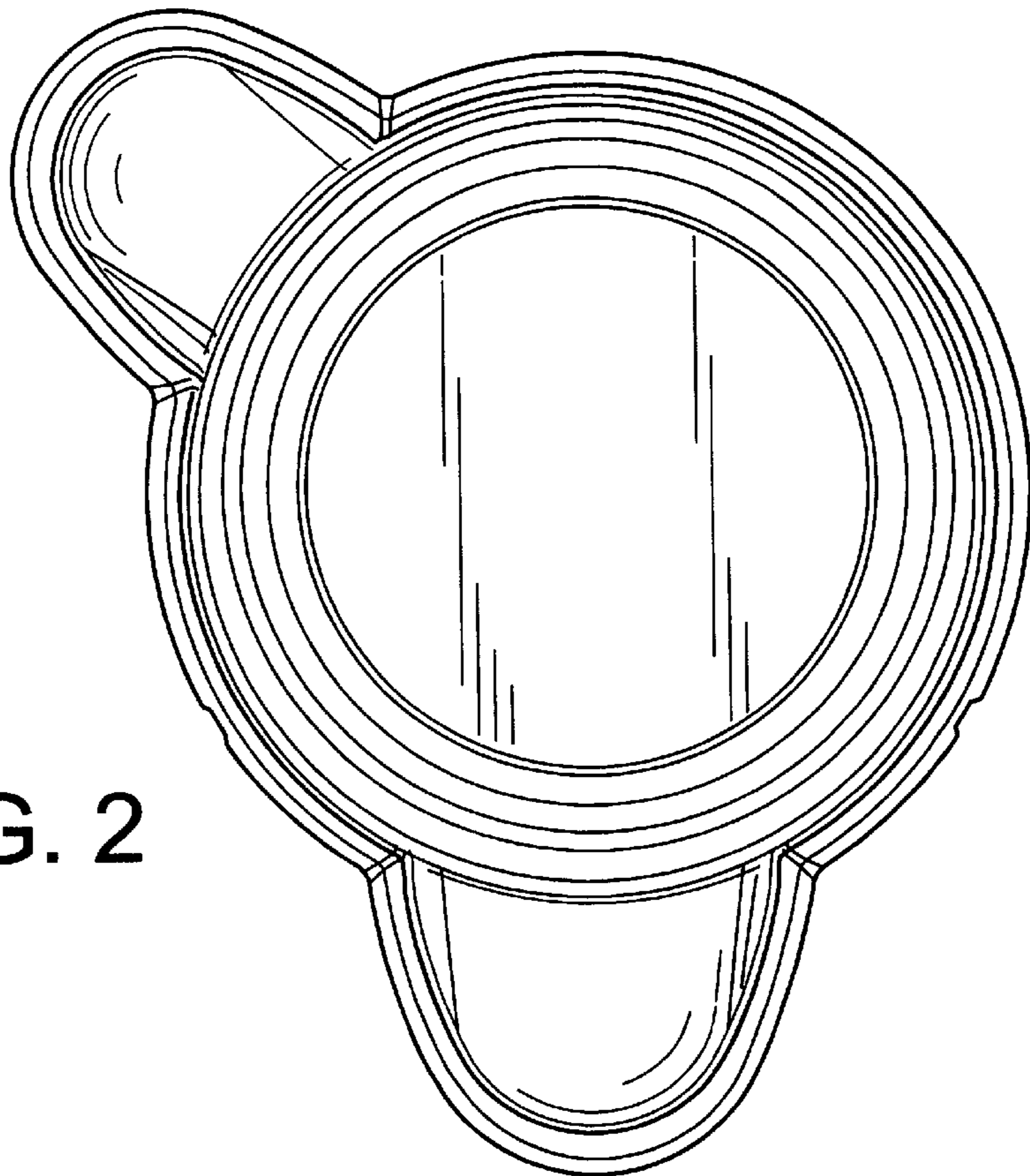


FIG. 2

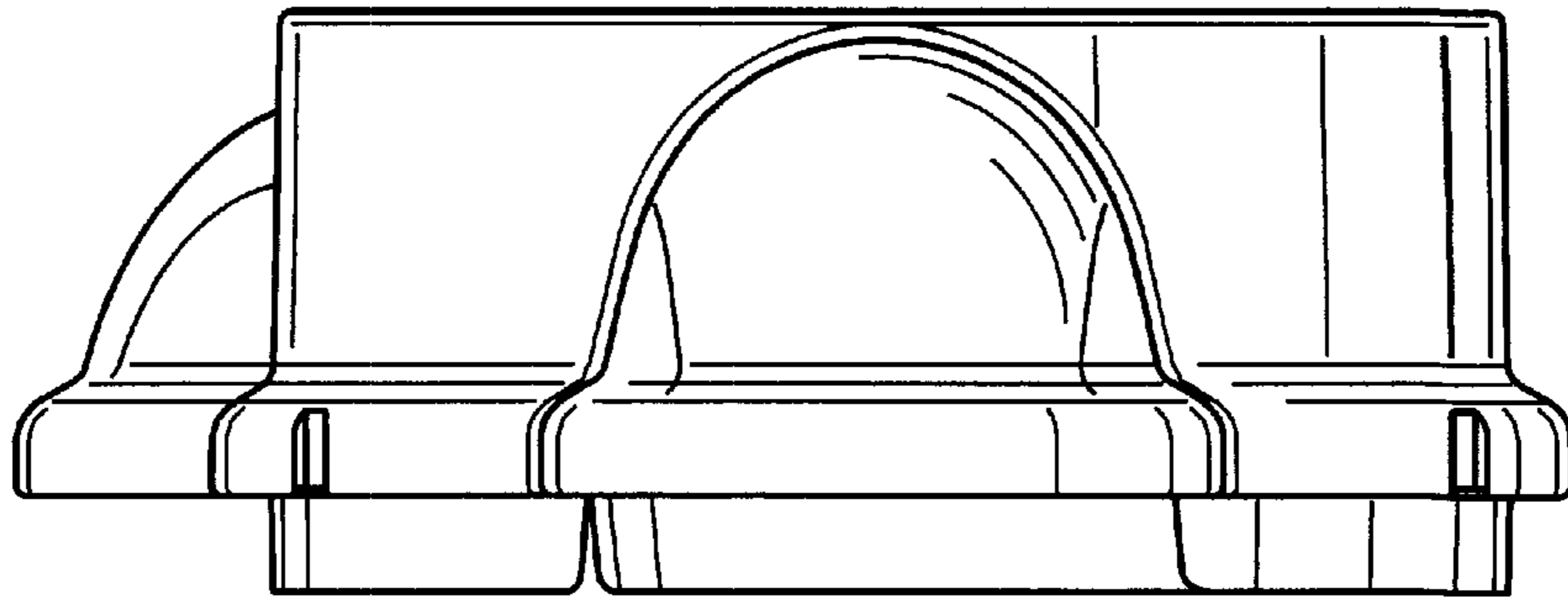


FIG. 3

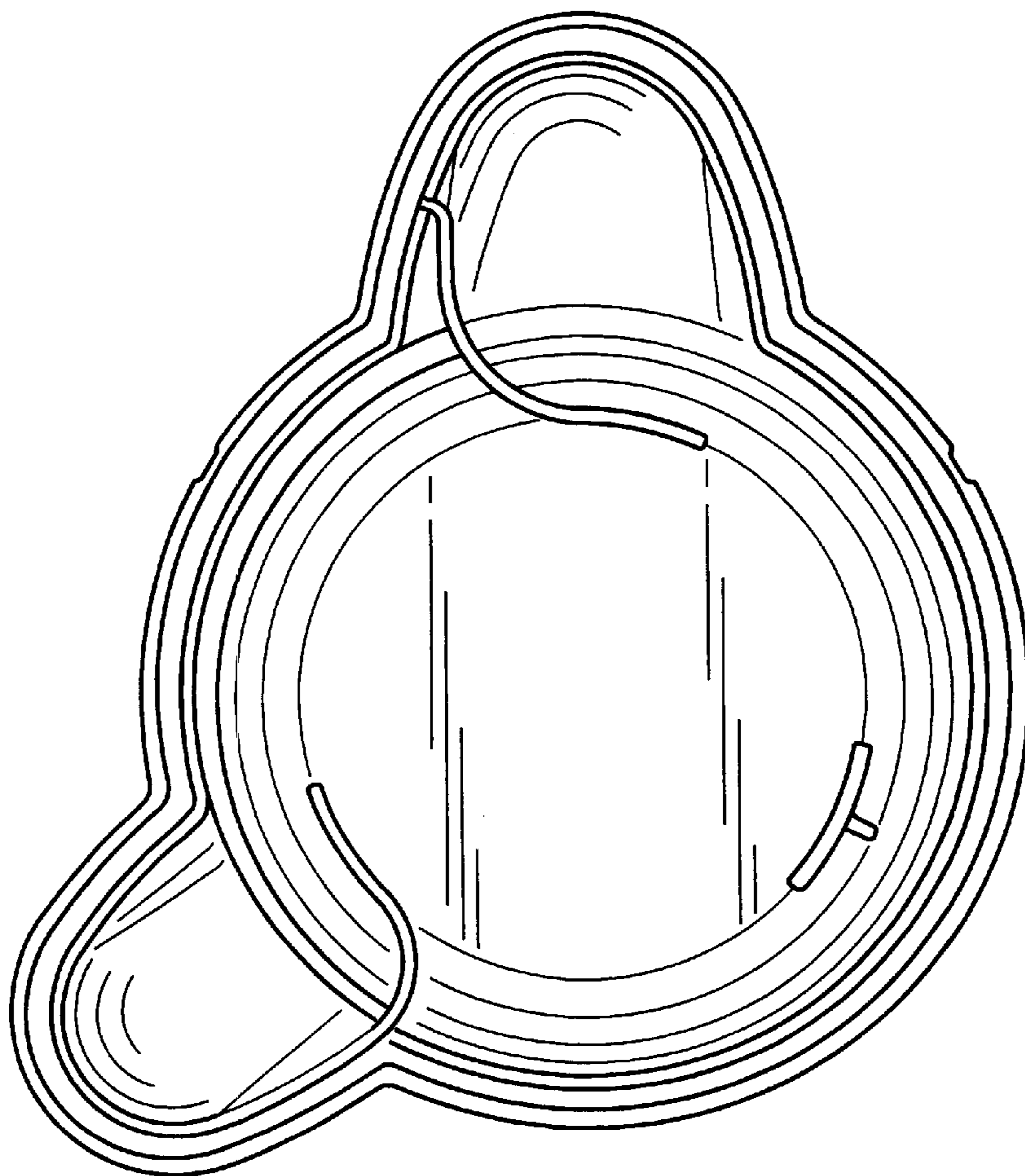


FIG. 4

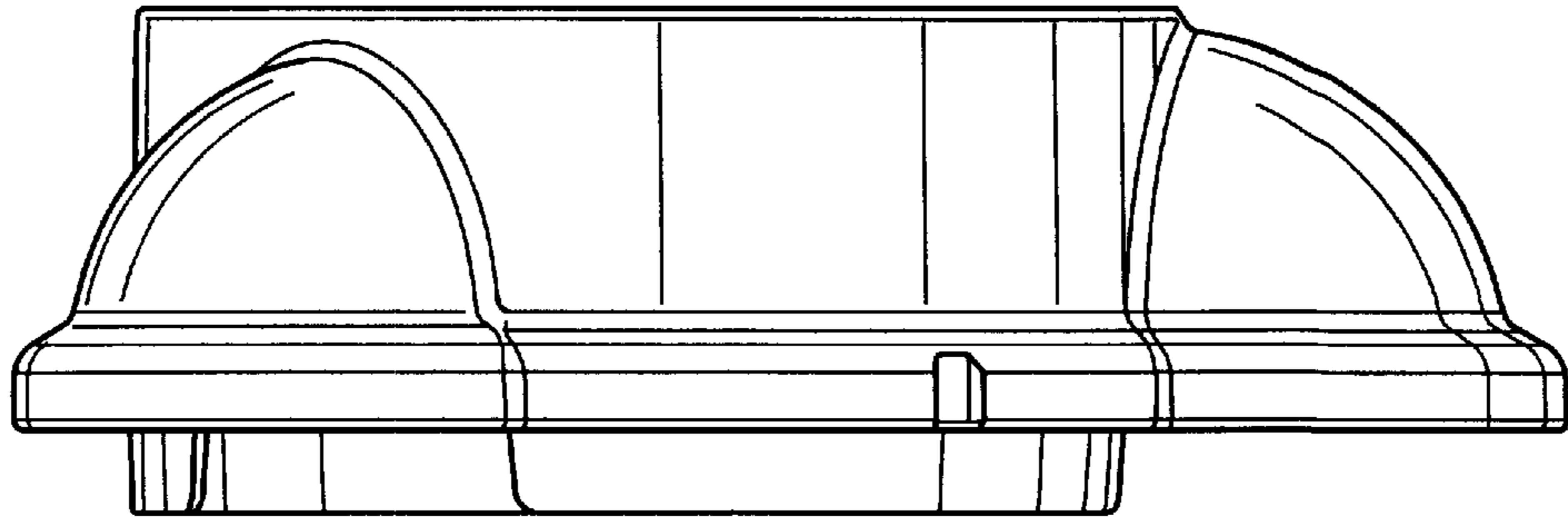


FIG. 5

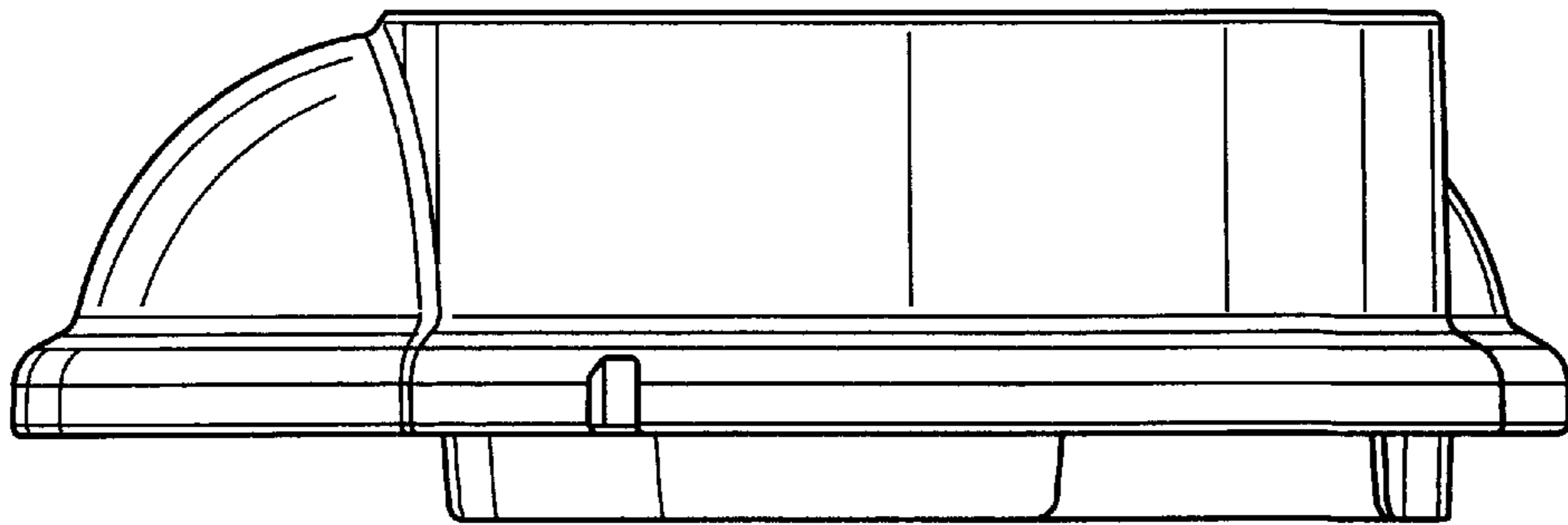


FIG. 6

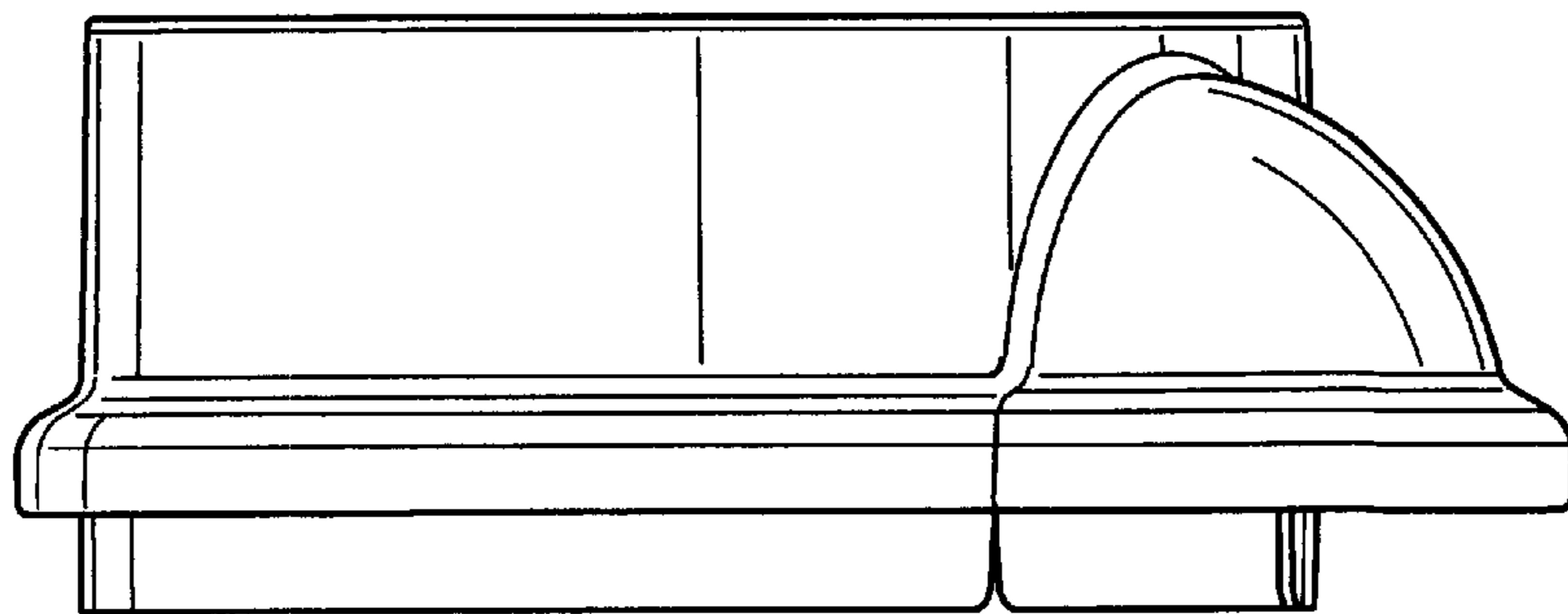


FIG. 7

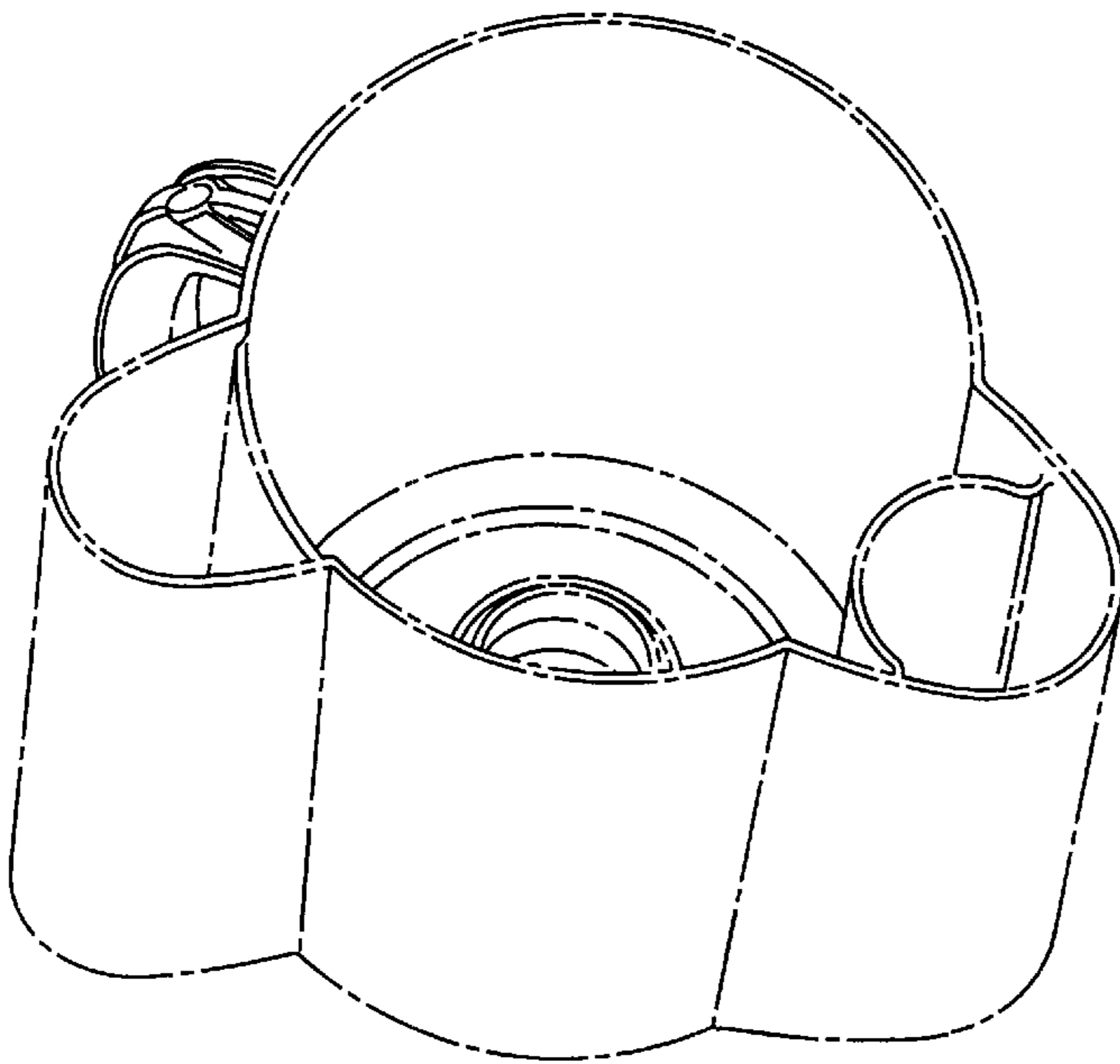
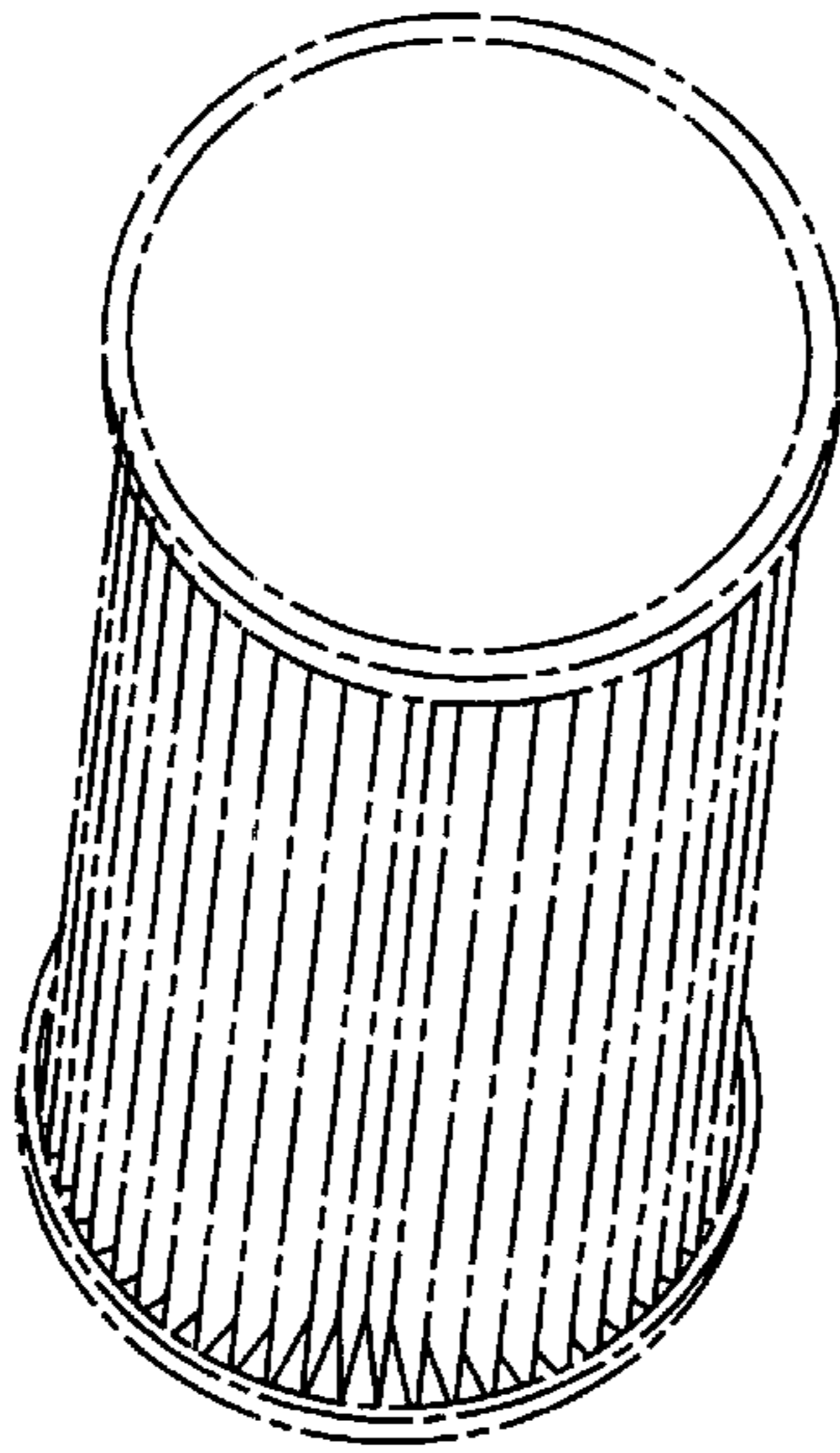
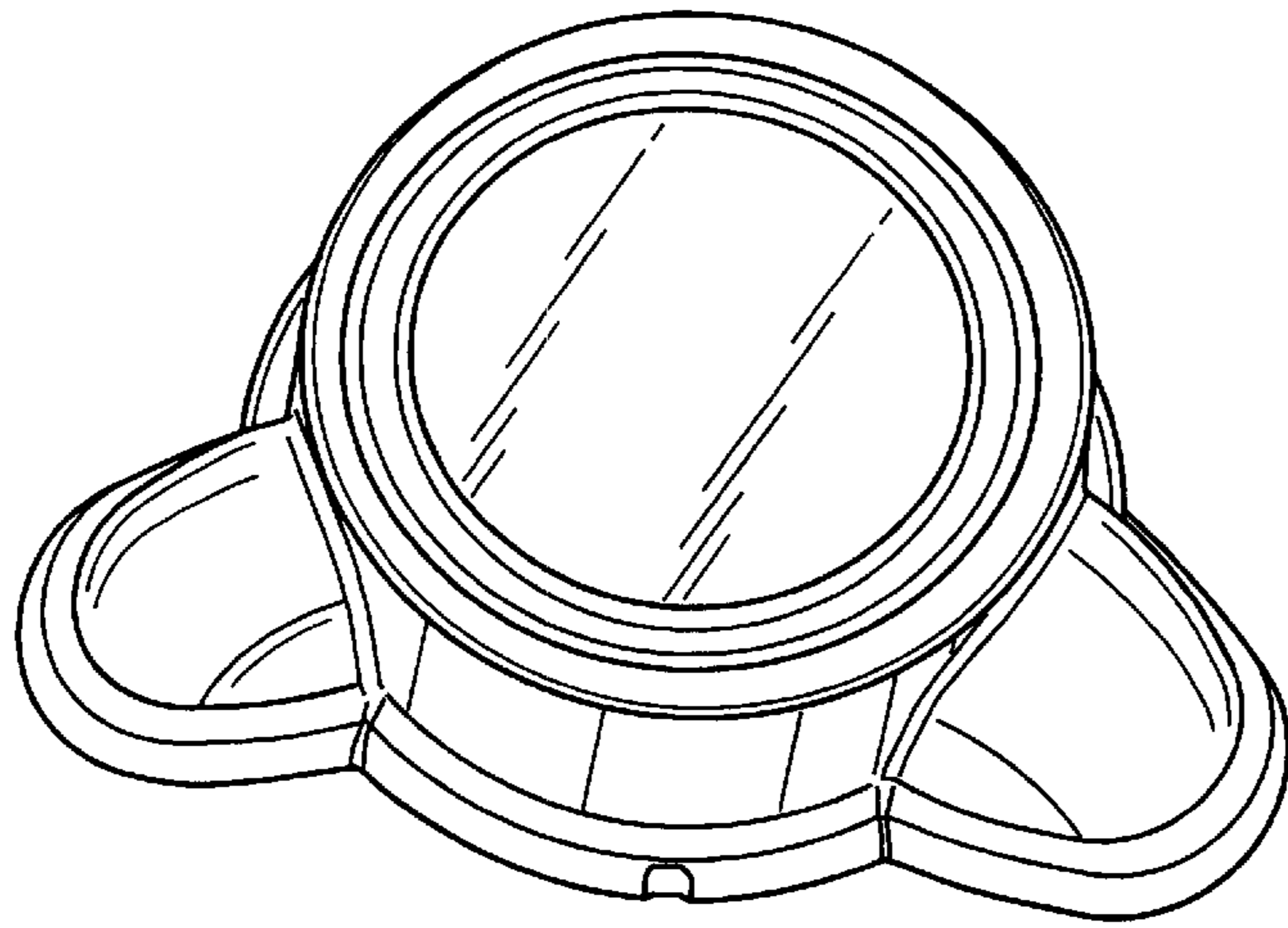


FIG. 8