



US00D453401S

(12) **United States Design Patent**  
**Kaplan**

(10) **Patent No.:** **US D453,401 S**

(45) **Date of Patent:** **\*\* Feb. 5, 2002**

(54) **PET TOY**

(75) **Inventor:** **Joan Kaplan**, Demarest, NJ (US)

(73) **Assignee:** **Hasbro, Inc.**, Pawtucket, RI (US)

(\*\*) **Term:** **14 Years**

(21) **Appl. No.:** **29/136,249**

(22) **Filed:** **Jan. 26, 2001**

(51) **LOC (7) Cl.** ..... **30-99**

(52) **U.S. Cl.** ..... **D30/160; D21/195**

(58) **Field of Search** ..... **D30/160; 119/702,**  
**119/706-711; D21/405, 406, 407, 475,**  
**476, 468, 483; 446/419, 227; D24/195**

(56) **References Cited**

**U.S. PATENT DOCUMENTS**

D160,140 S	*	9/1950	Binney	.....	D21/468
D269,883 S	*	7/1983	Cavnar et al.	.....	D21/475
D280,749 S	*	9/1985	Thomson et al.	.....	D21/408
D314,621 S	*	2/1991	Bernstein et al.	.....	D24/195

D337,393 S	*	7/1993	Weldy	.....	D30/160
D358,910 S	*	5/1995	Frasier	.....	D30/160
5,702,039 A	*	12/1997	Olaiz	.....	D21/476
D395,516 S	*	6/1998	Fletcher	.....	D24/195

\* cited by examiner

*Primary Examiner*—Cathy Anne MacCormac  
(74) *Attorney, Agent, or Firm*—Kurt R. Benson

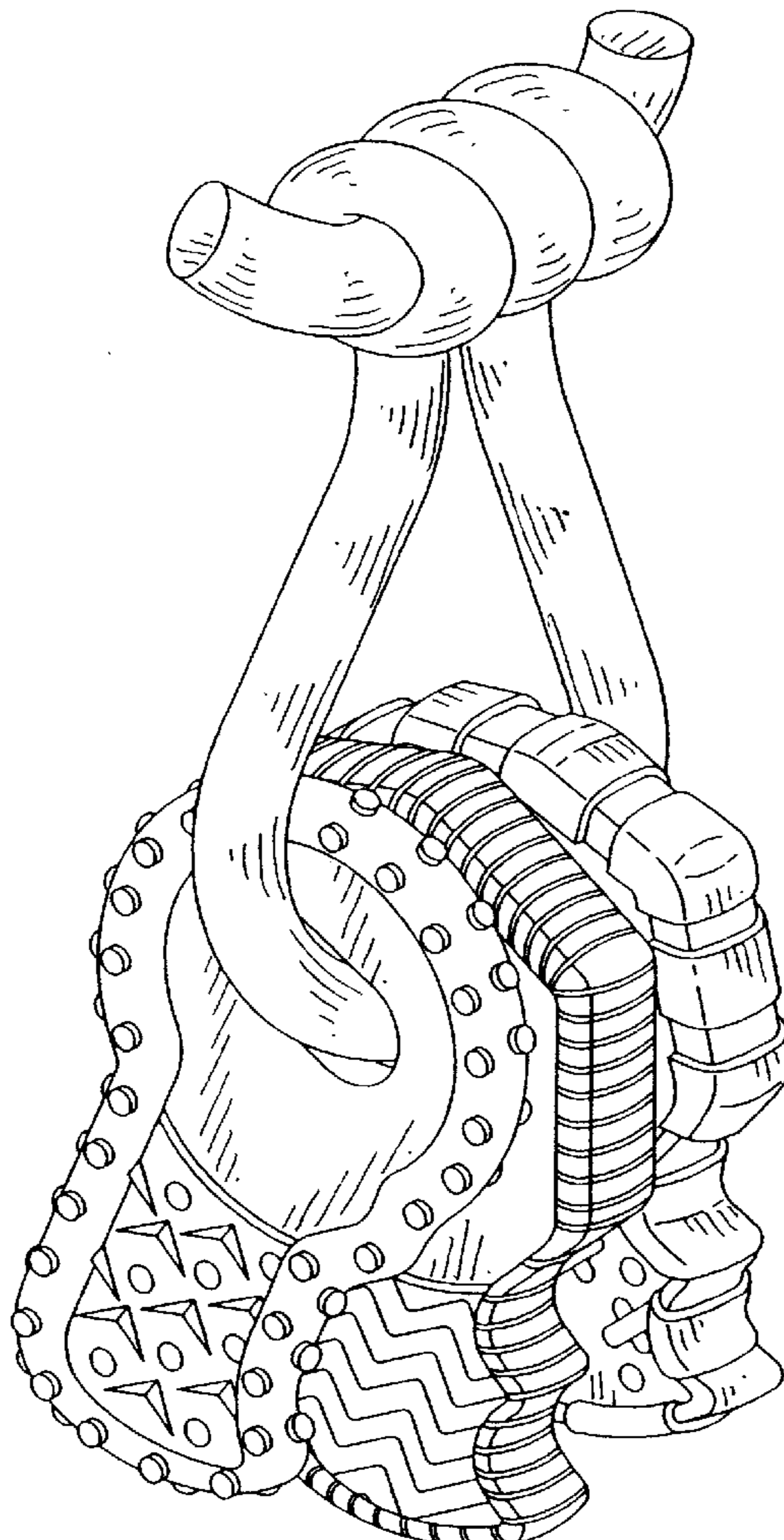
(57) **CLAIM**

The ornamental design for a pet toy, as shown.

**DESCRIPTION**

FIG. 1 is a perspective view of the pet toy of the instant invention;  
FIG. 2 is a left side elevational view thereof;  
FIG. 3 is a right side elevational view thereof;  
FIG. 4 is a front elevational view thereof;  
FIG. 5 is a rear elevational view thereof;  
FIG. 6 is a top plan view thereof; and,  
FIG. 7 is a bottom plan view thereof.

**1 Claim, 3 Drawing Sheets**



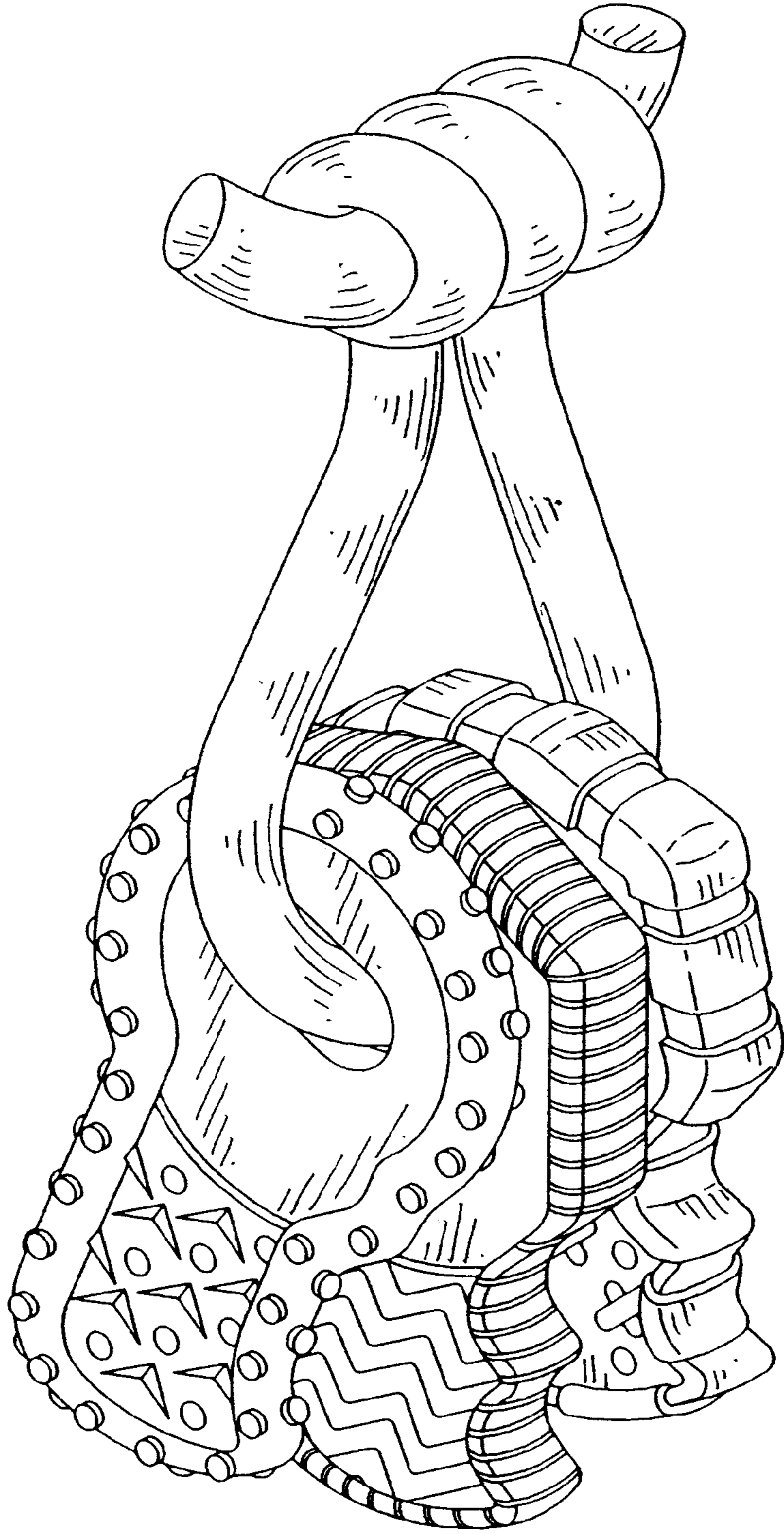


FIG. 1

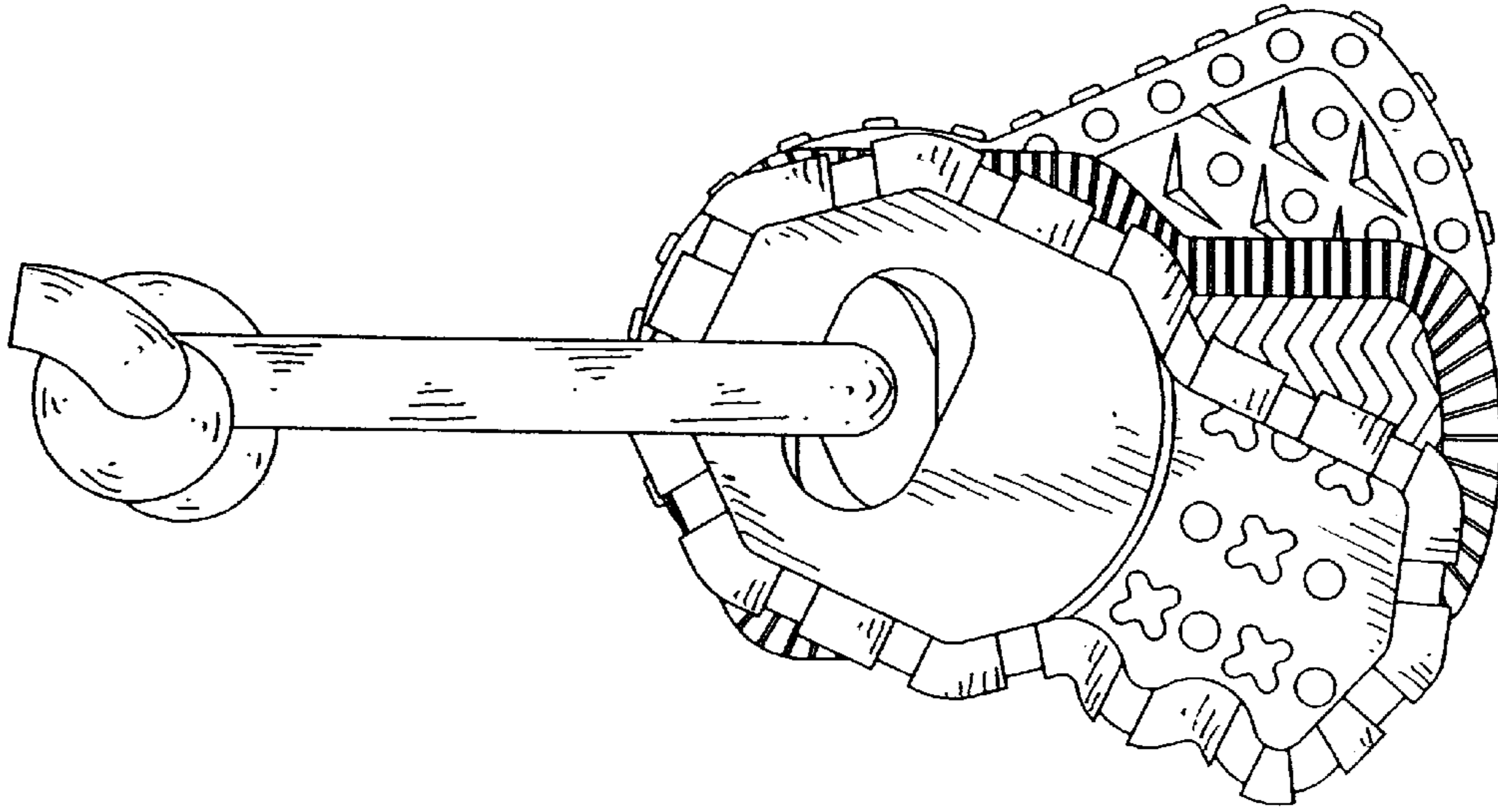


FIG. 3

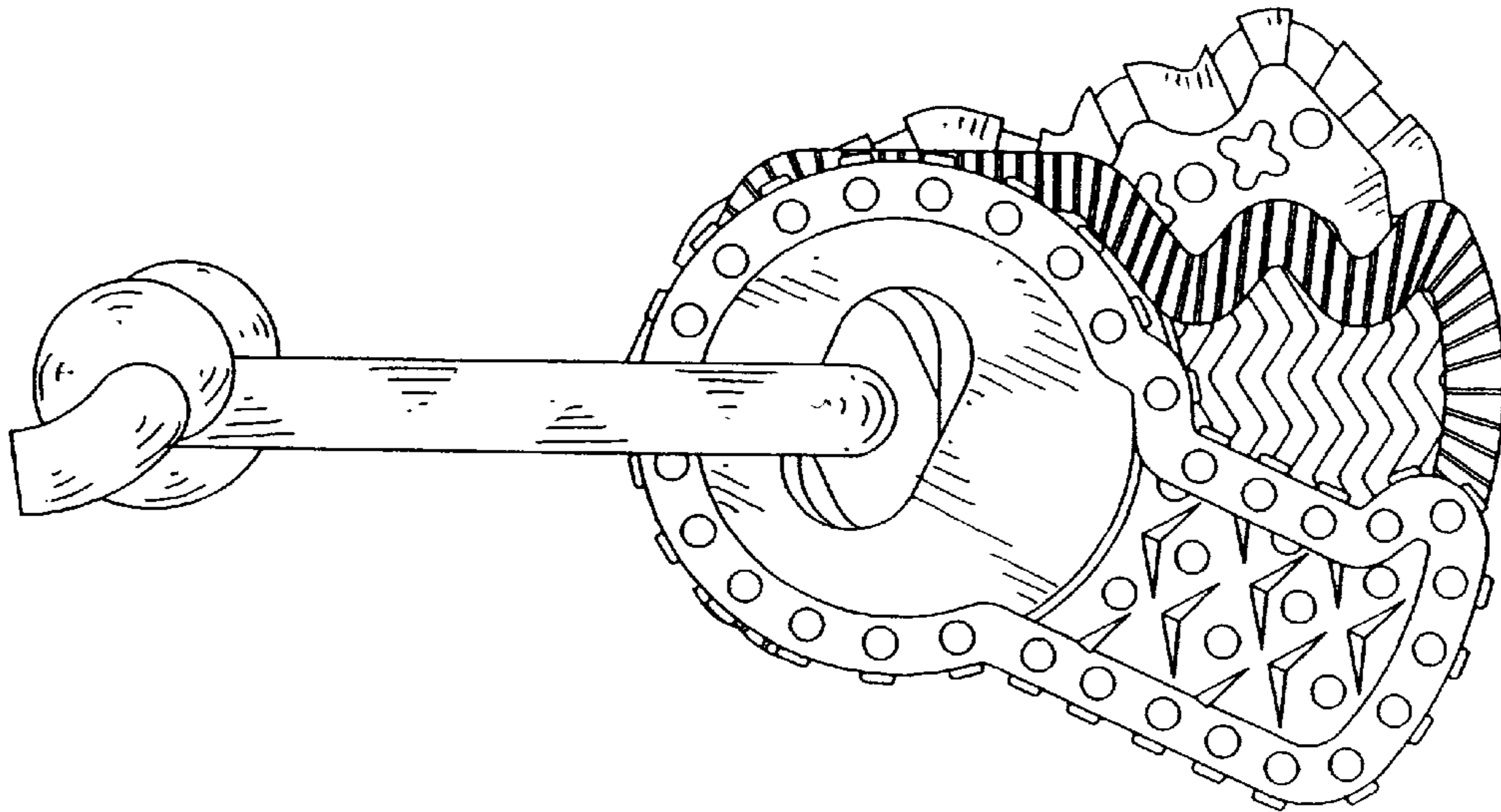


FIG. 2

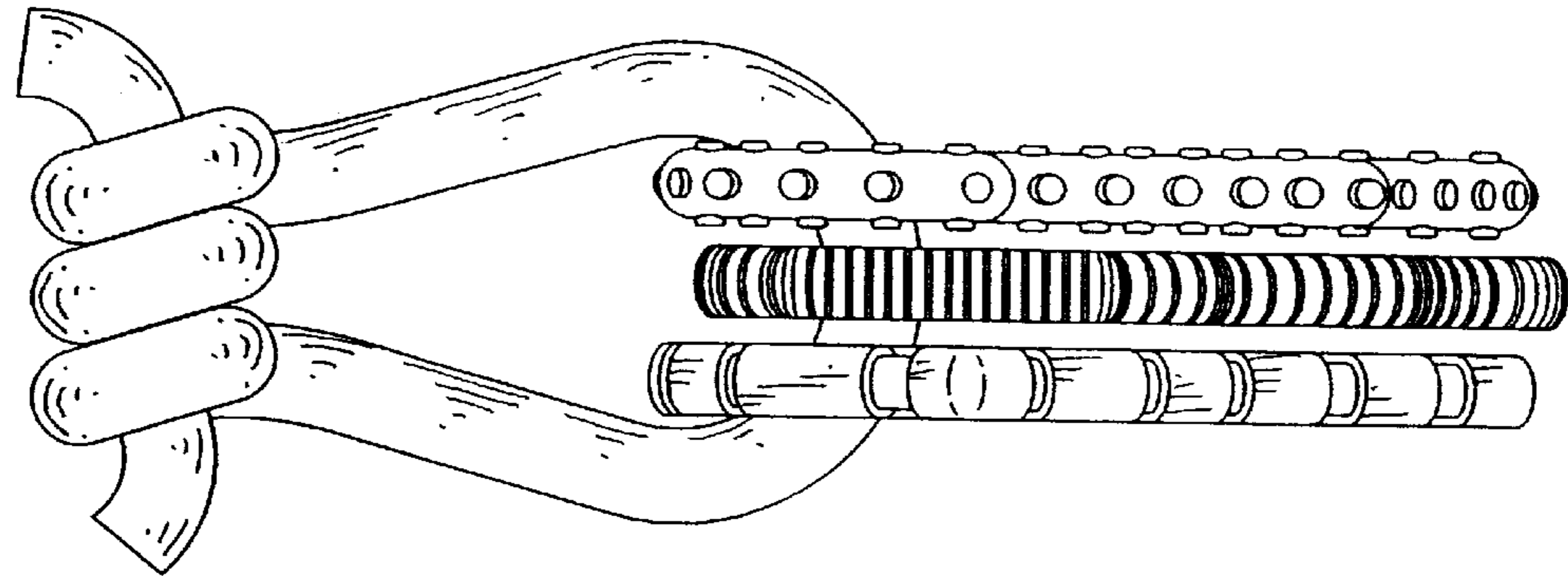


FIG. 4

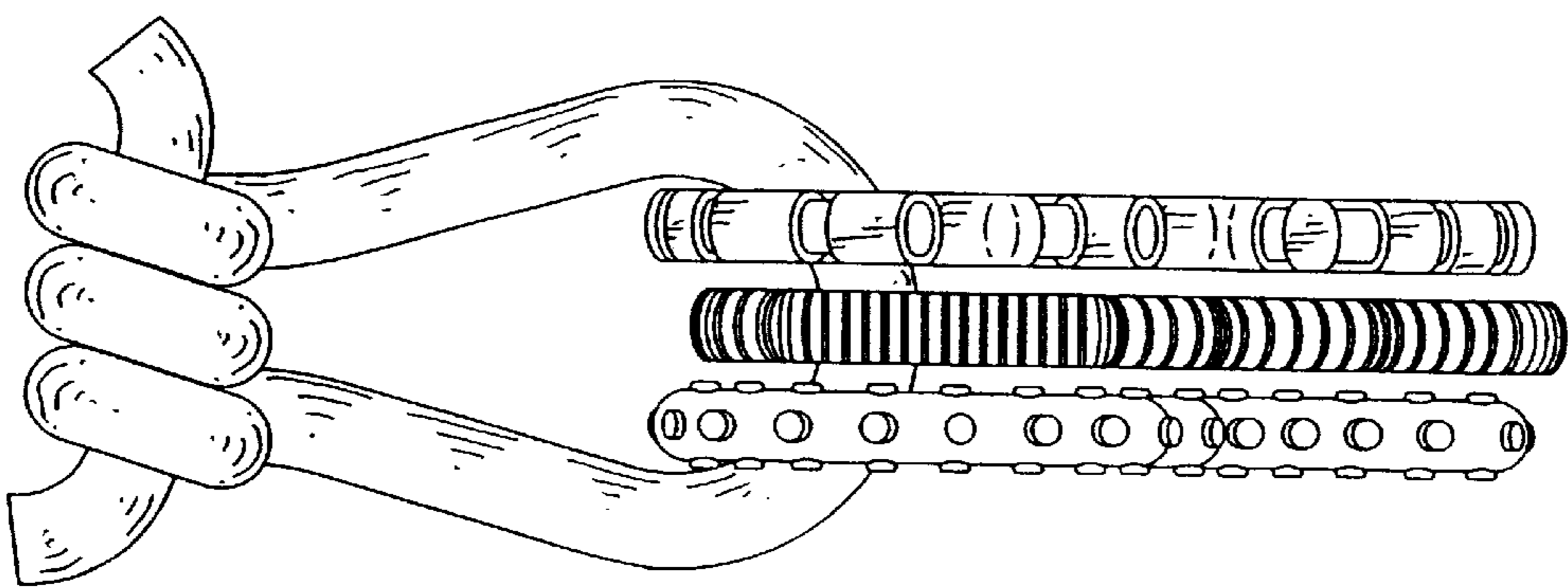


FIG. 5

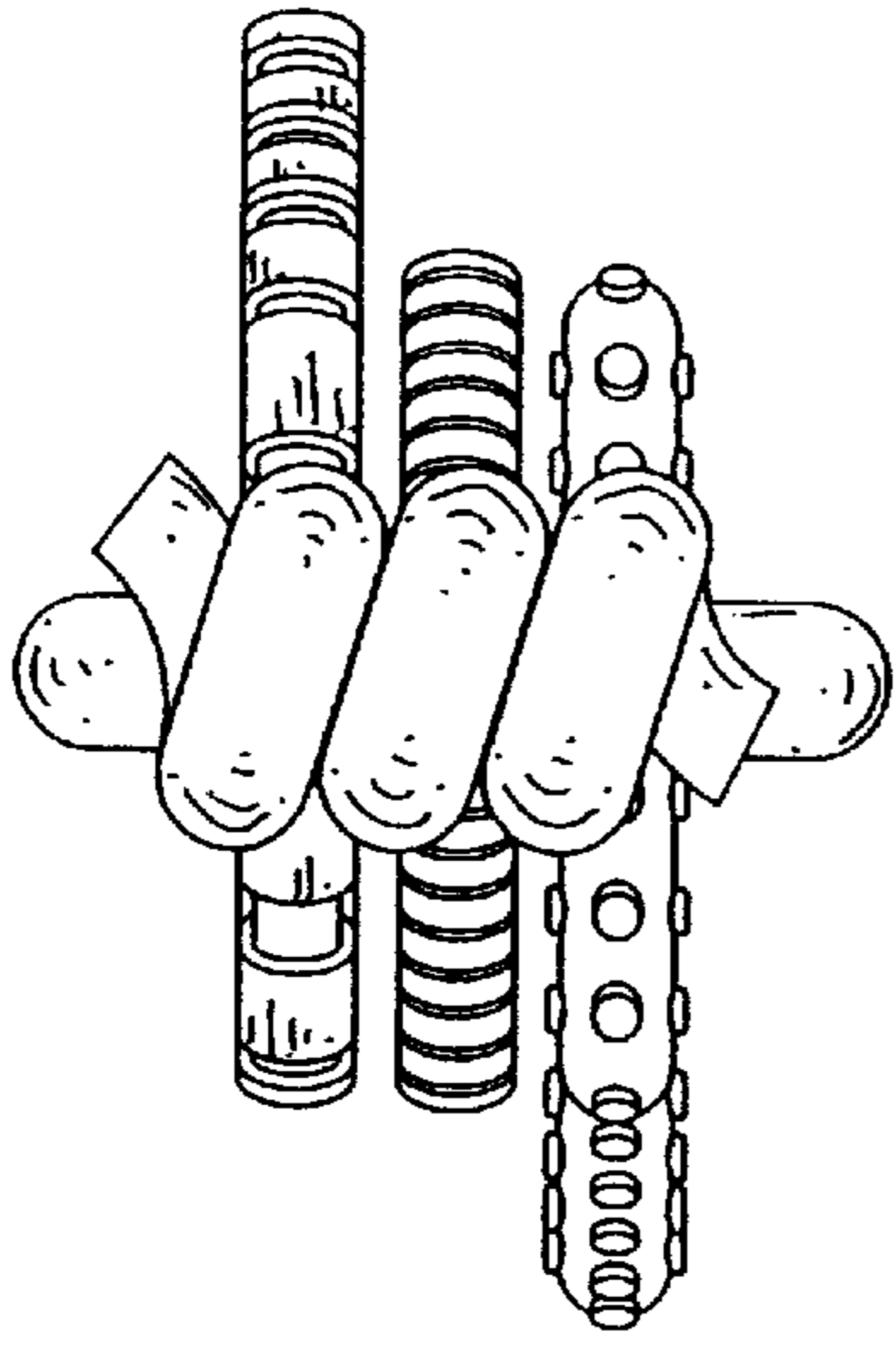


FIG. 6

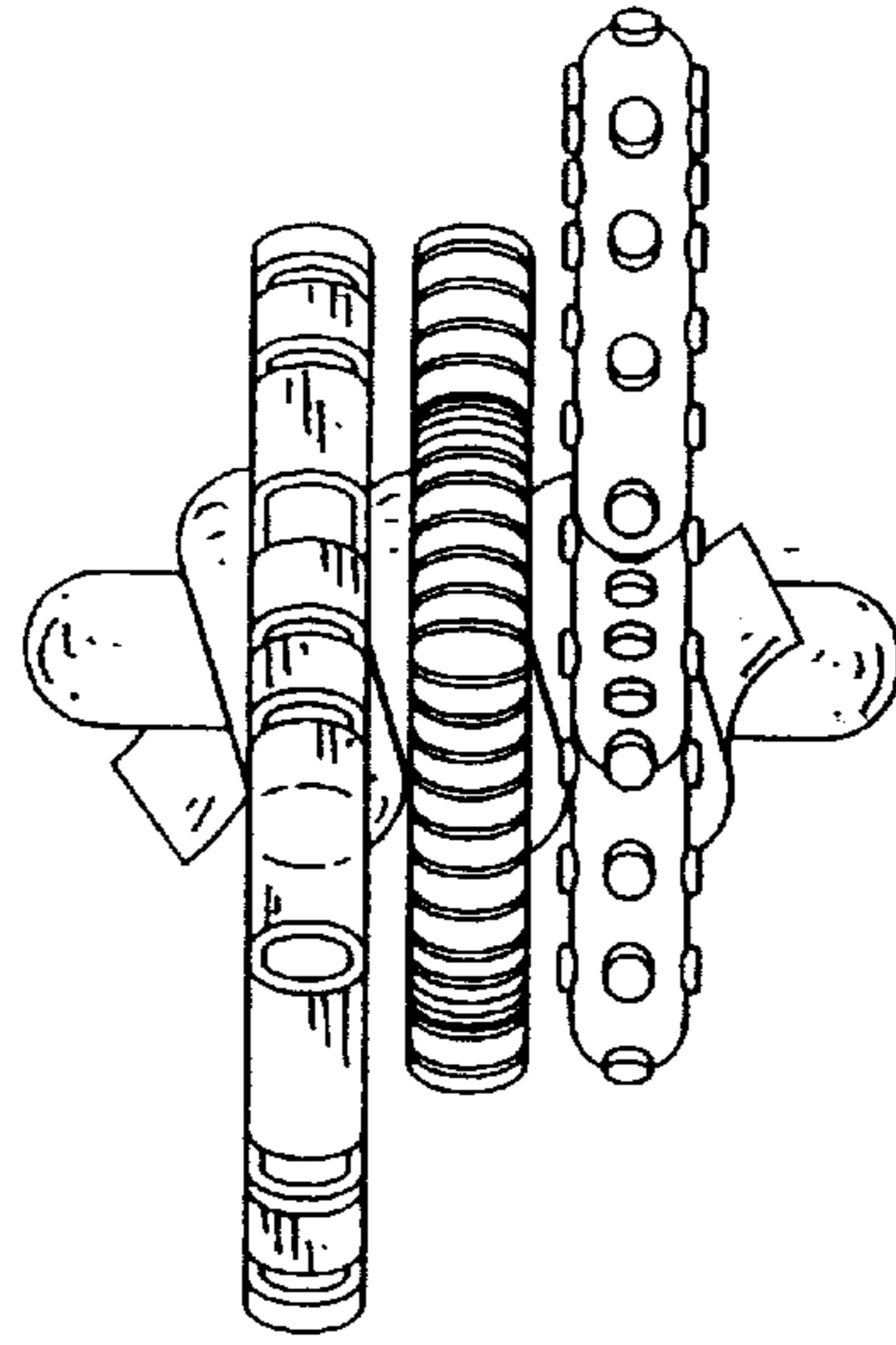


FIG. 7