



US00D453397S

(12) **United States Design Patent**
Choi

(10) **Patent No.:** **US D453,397 S**

(45) **Date of Patent:** **** Feb. 5, 2002**

(54) **COMBINED NAIL FILE AND POLISHER**

(76) Inventor: **Hun Sub Choi**, 4-402 Hanshin Apt.,
5-145 Hyochang-dong, Yongsan-gu,
Seoul 140-120 (KR)

(**) Term: **14 Years**

(21) Appl. No.: **29/134,683**

(22) Filed: **Dec. 29, 2000**

(51) **LOC (7) Cl.** **28-03**

(52) **U.S. Cl.** **D28/59; D4/137**

(58) **Field of Search** D28/7, 56, 57,
D28/59, 63; D4/116, 129, 137, 138; D32/40,
42, 52; 182/73, 73.5, 75, 75.6, 76.4, 76.5,
76.2

(56) **References Cited**

U.S. PATENT DOCUMENTS

914,682	A	*	3/1909	Straus	132/75
1,512,799	A	*	10/1924	Reid	132/75
1,860,261	A	*	5/1932	Mirrmann	132/75
4,049,010	A	*	9/1977	Mitchell et al.	132/200
4,184,499	A	*	1/1980	Seidler	132/75.6
D281,729	S	*	12/1985	Mast	D28/59

FOREIGN PATENT DOCUMENTS

GB 8015 * 5/1931 132/76.4

* cited by examiner

Primary Examiner—Ted Shooman

Assistant Examiner—C Tuttle

(74) *Attorney, Agent, or Firm*—Fleshner & Kim, LLP

(57) **CLAIM**

The ornamental design for a combined nail file and polisher,
as shown and described.

DESCRIPTION

FIG. 1 is a front elevation view of the combined nail file and
polisher;

FIG. 2 is a rear elevation view thereof;

FIG. 3 is a left side elevation view thereof;

FIG. 4 is a right side elevation view thereof;

FIG. 5 is a top view thereof;

FIG. 6 is a bottom view thereof;

FIG. 7 is a perspective view thereof;

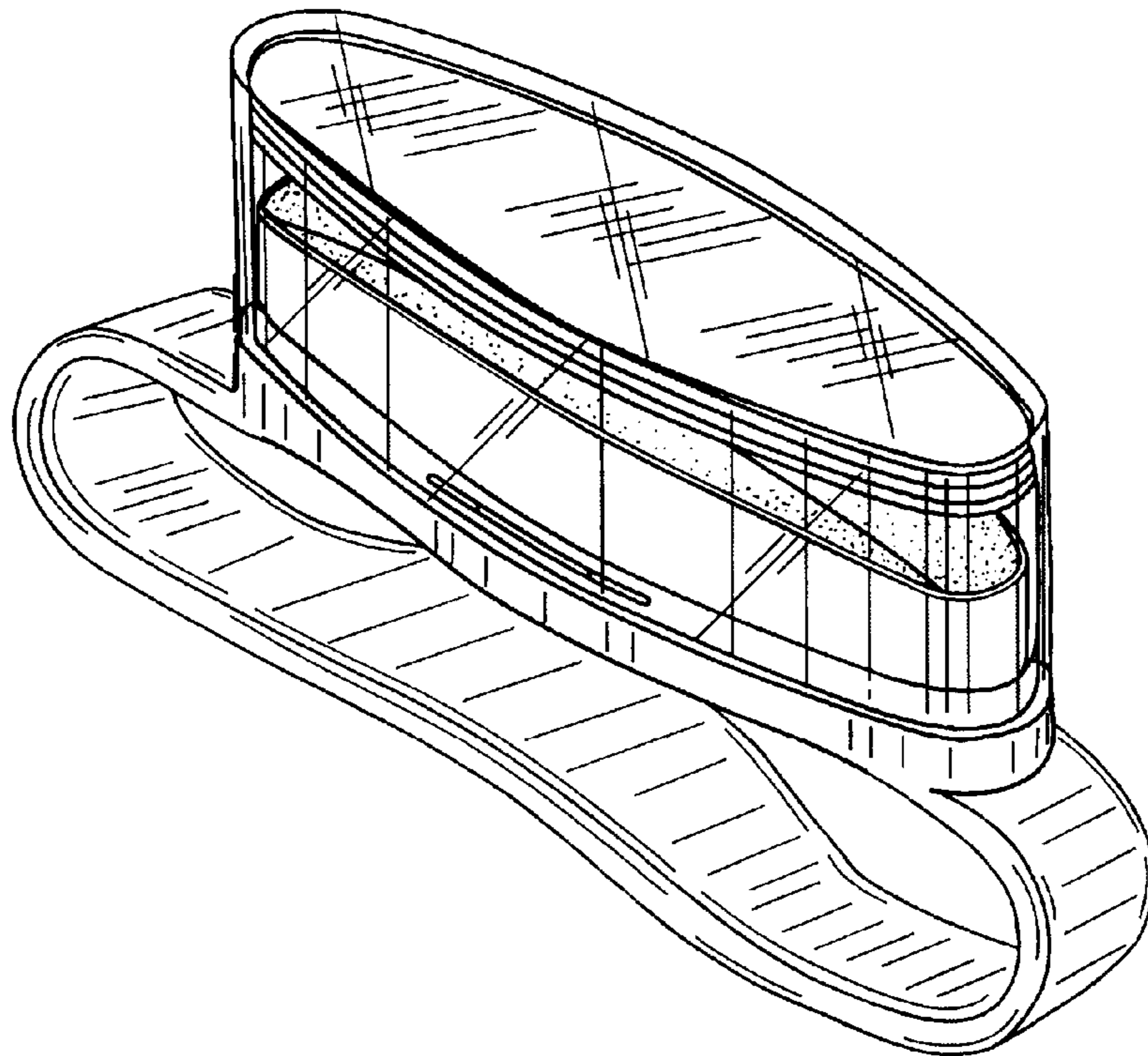
FIG. 8 is a reduced scale exploded perspective view thereof;

FIG. 9 is a reduced scale perspective view showing how the
polisher element of the design is used; and,

FIG. 10 is a reduced scale perspective view showing how the
nail file element of the design is used.

The broken line showing the human forming in FIGS. 9 and
10 is for illustrative purposes only and forms no part of the
claimed design.

1 Claim, 6 Drawing Sheets



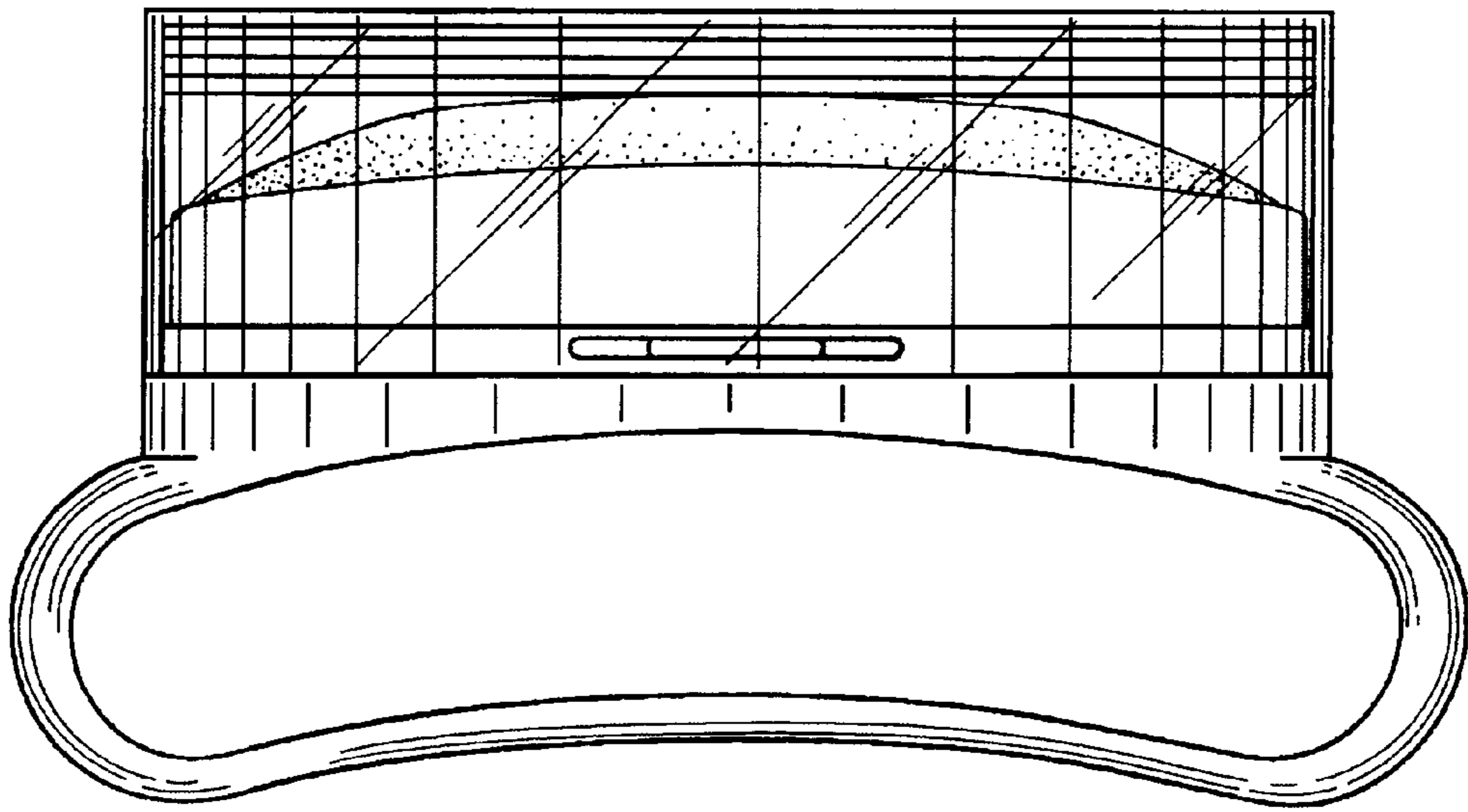


FIG. 1

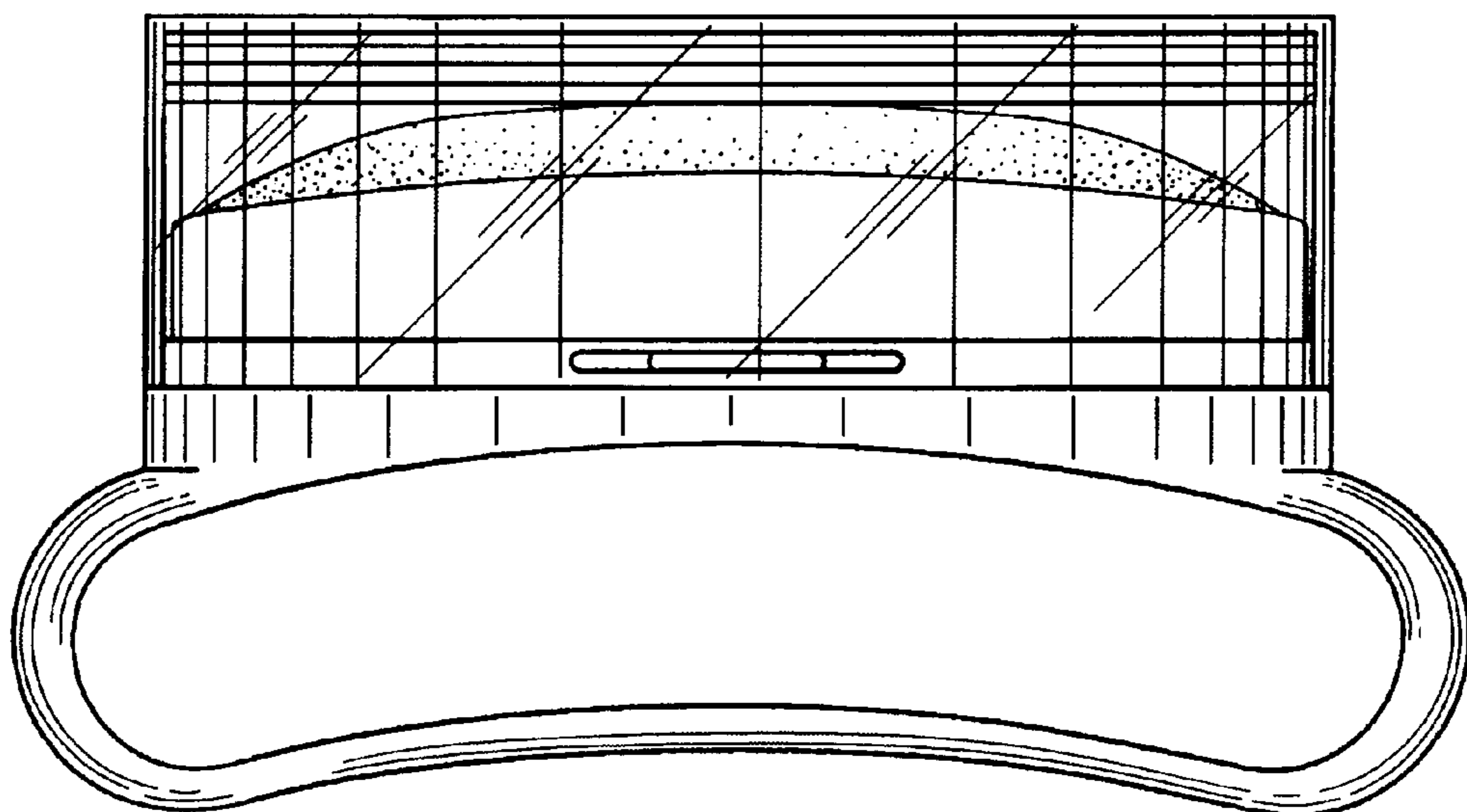


FIG. 2

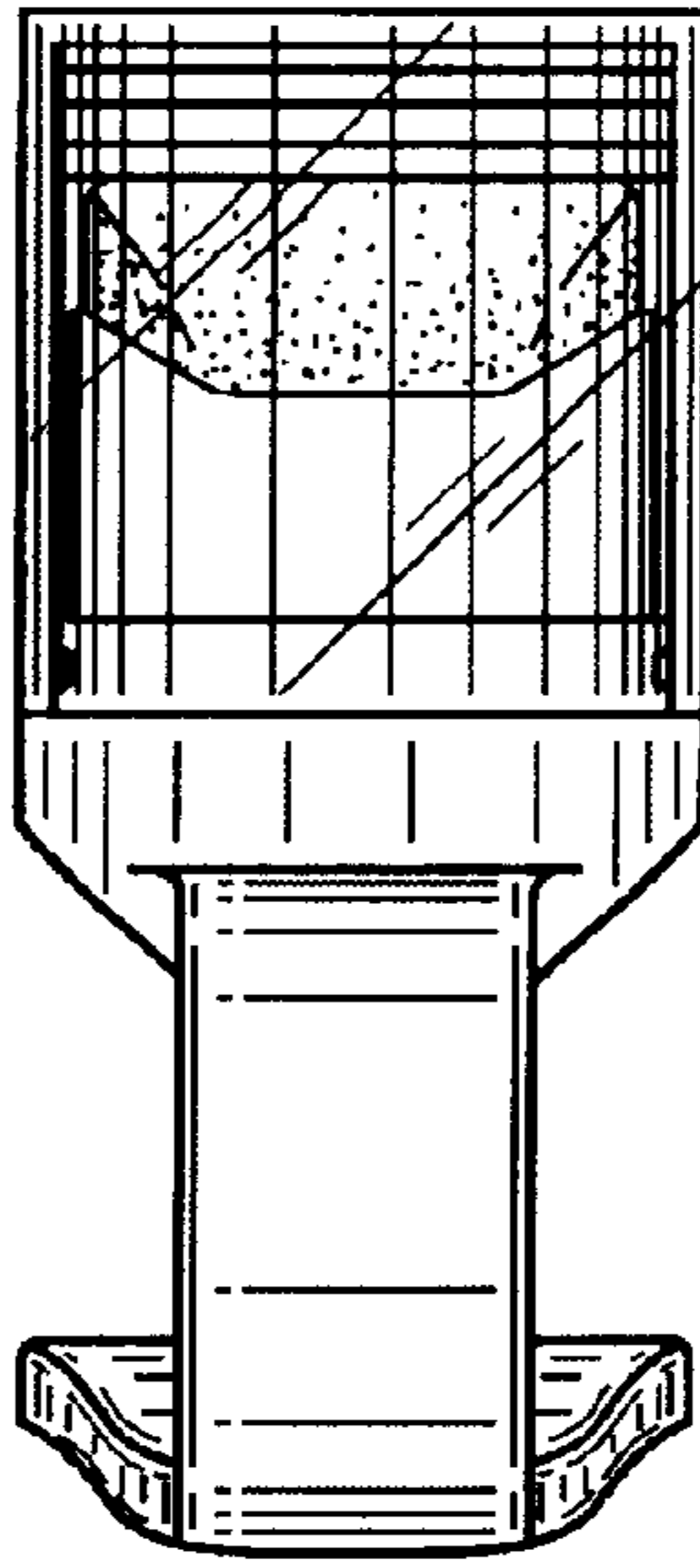


FIG. 3

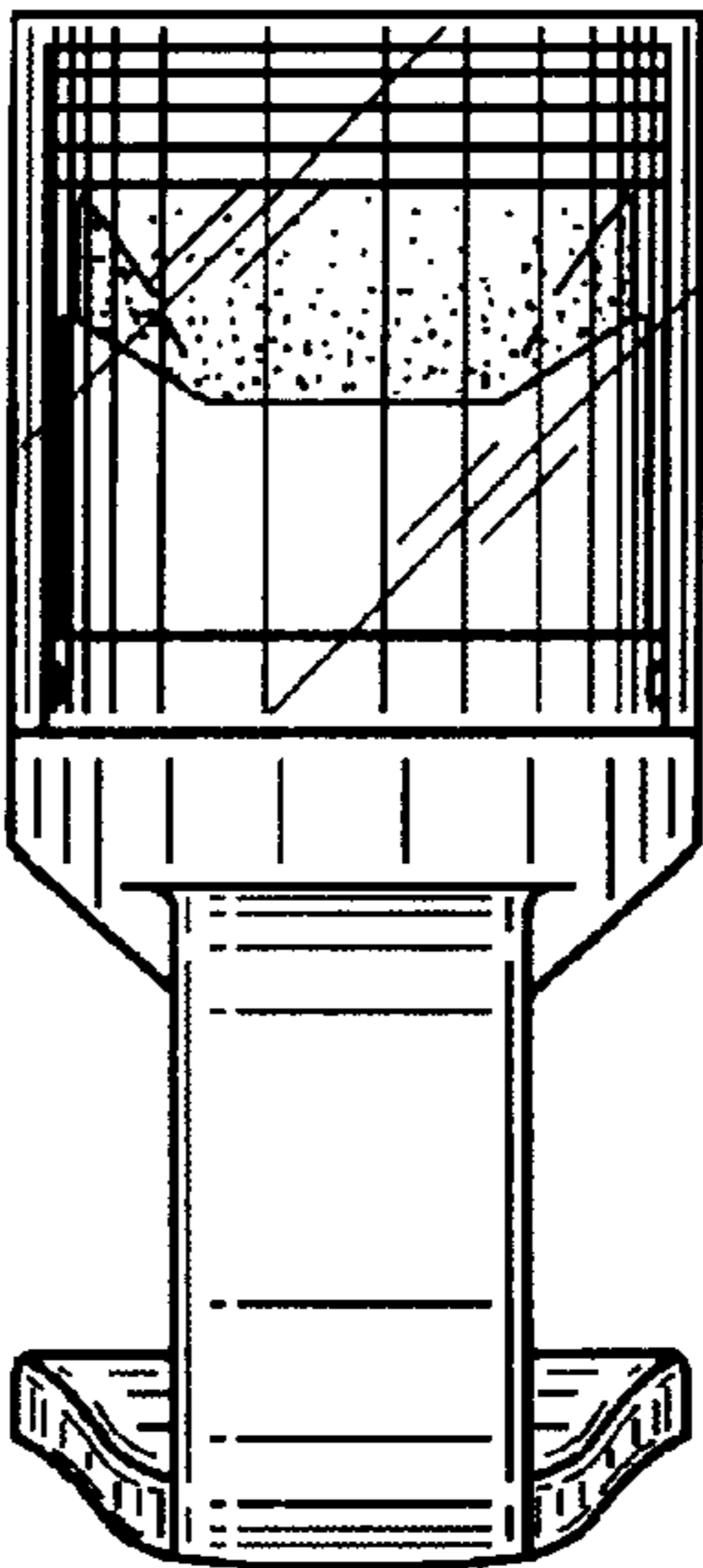


FIG. 4

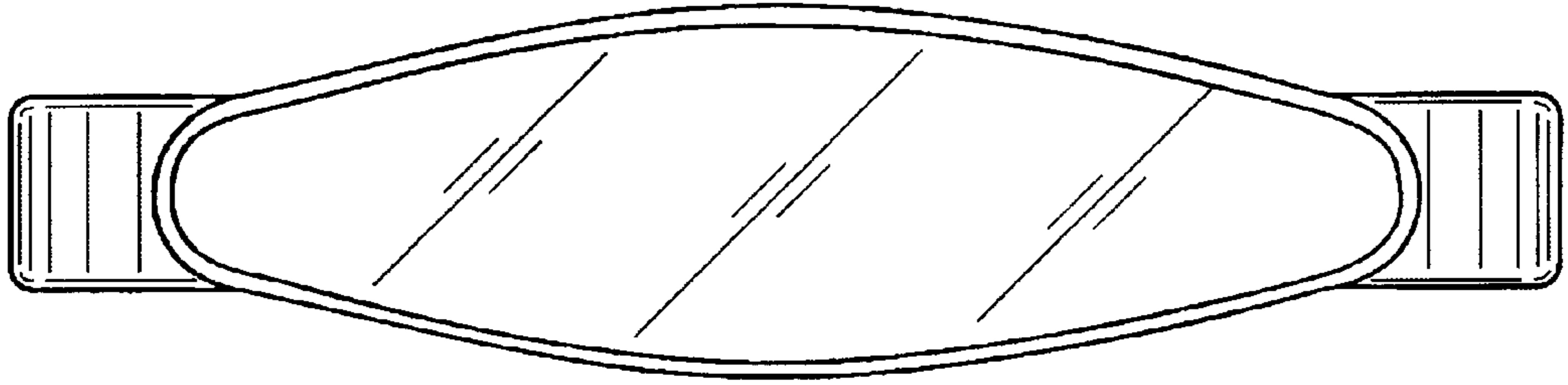


FIG. 5

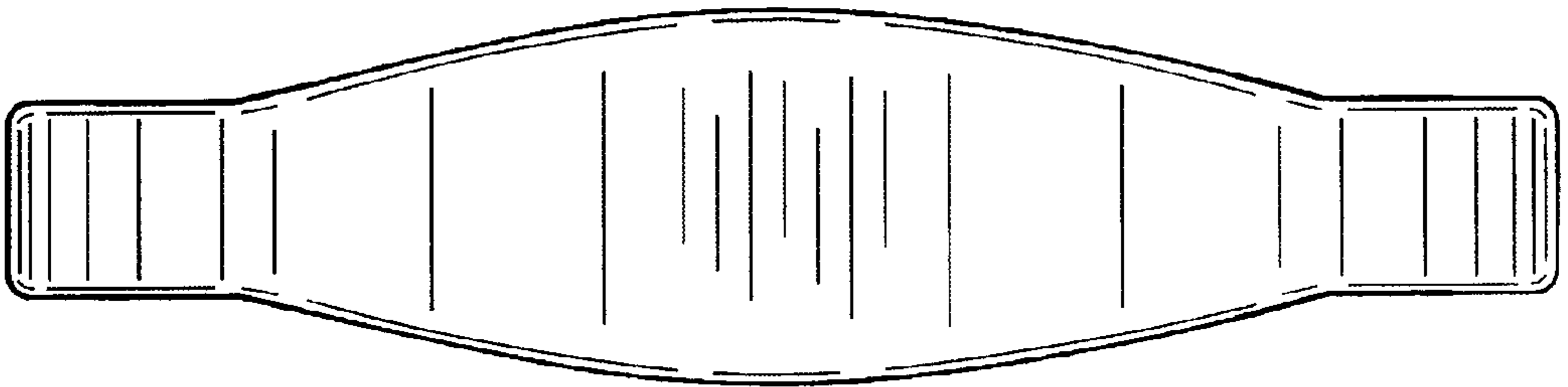


FIG. 6

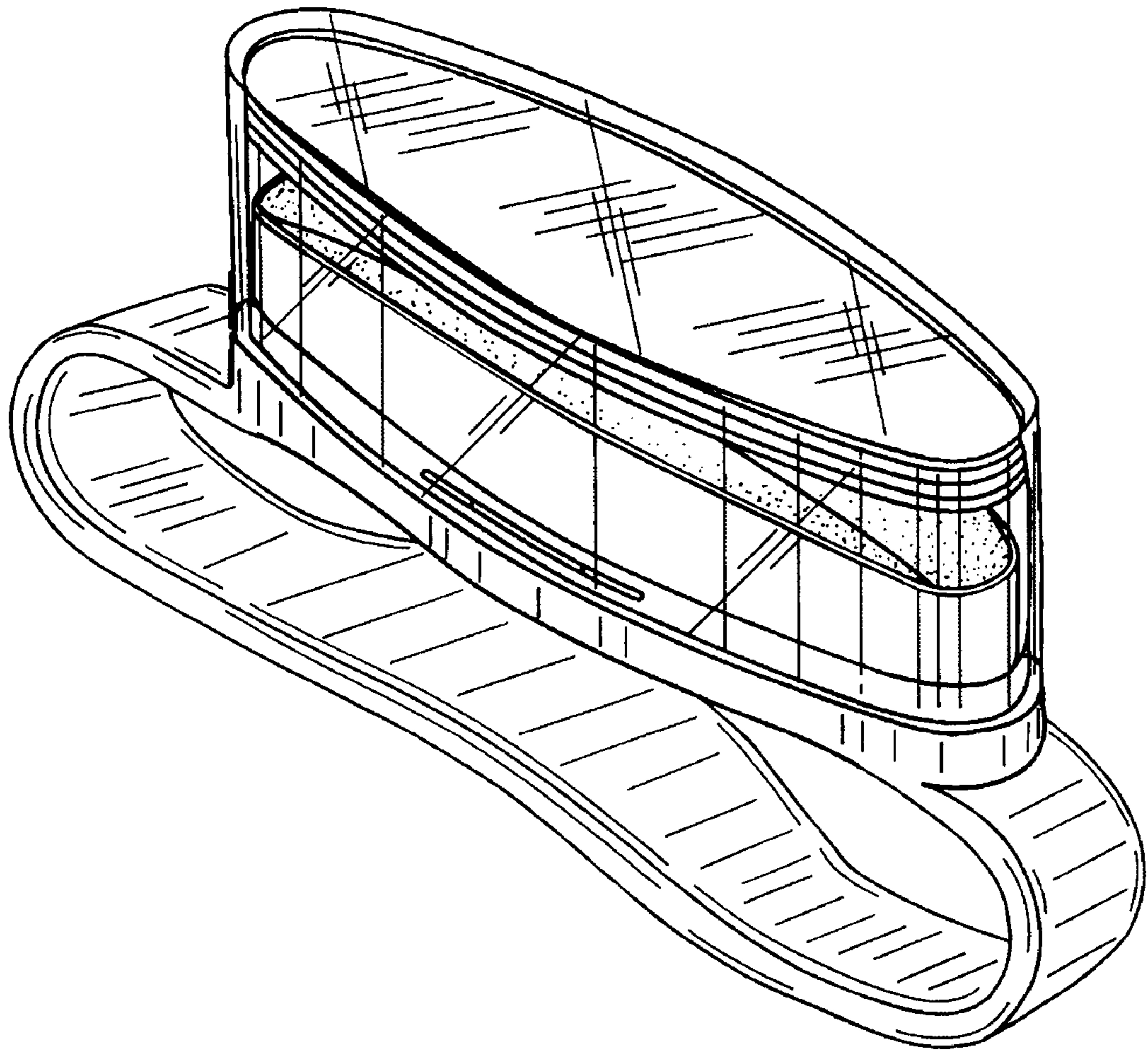


FIG. 7

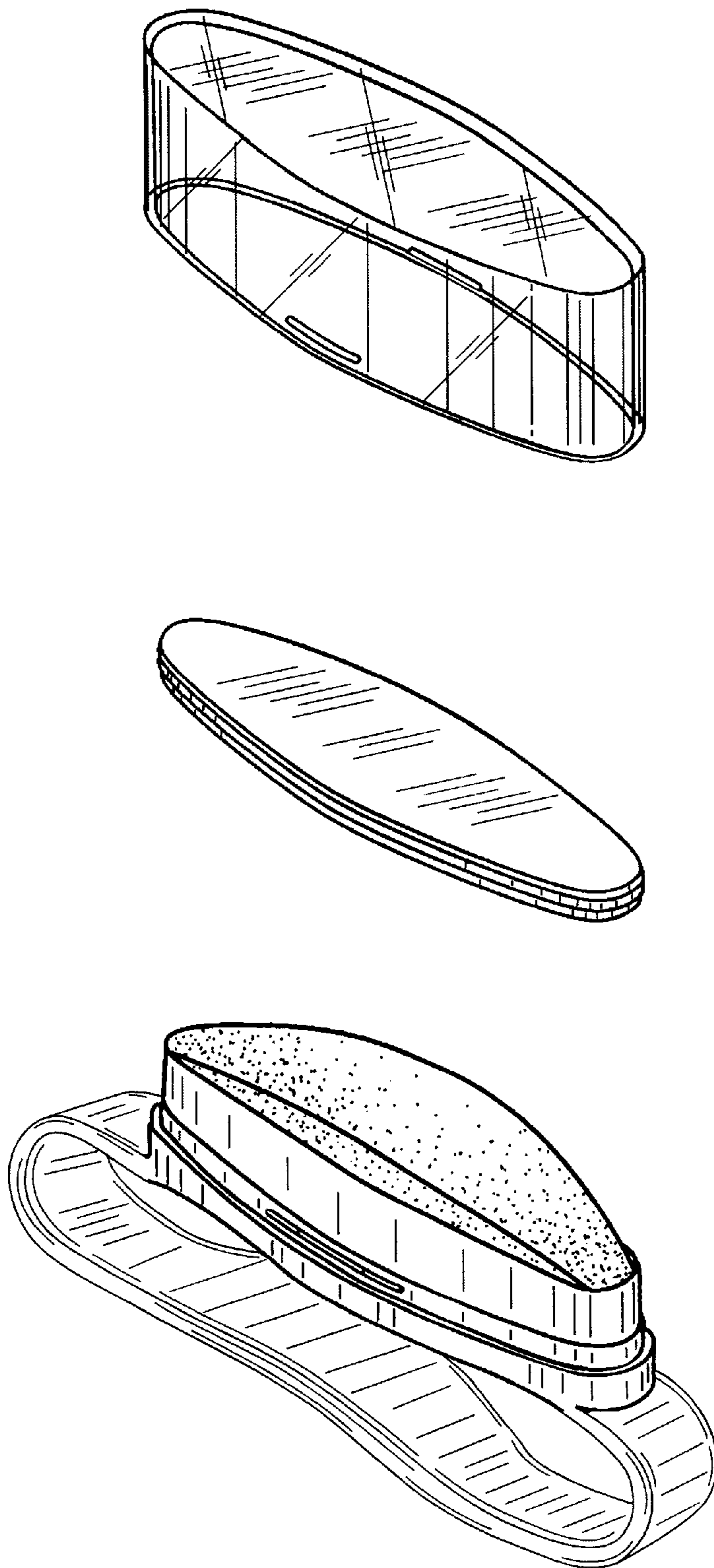


FIG. 8

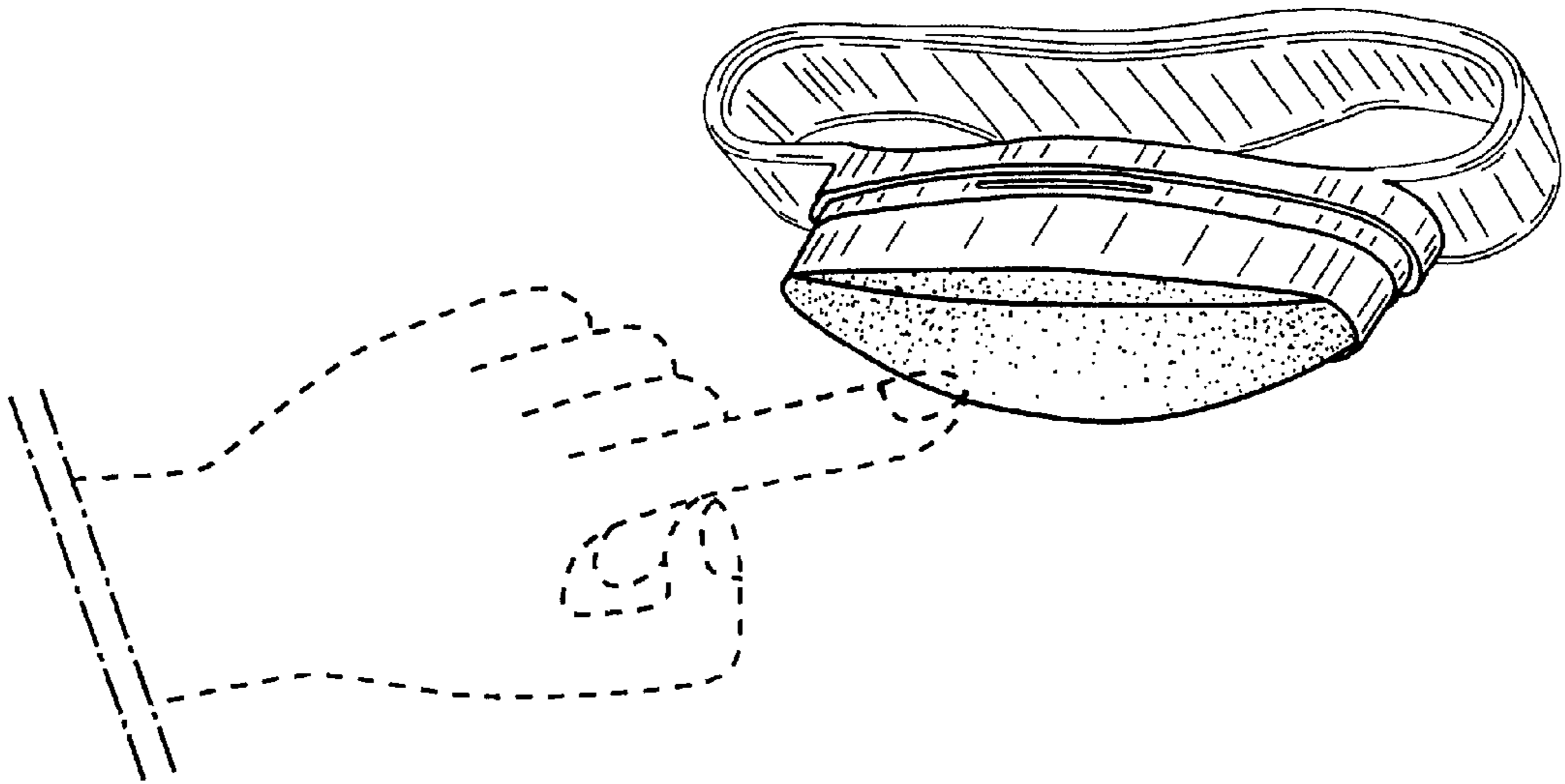


FIG. 9

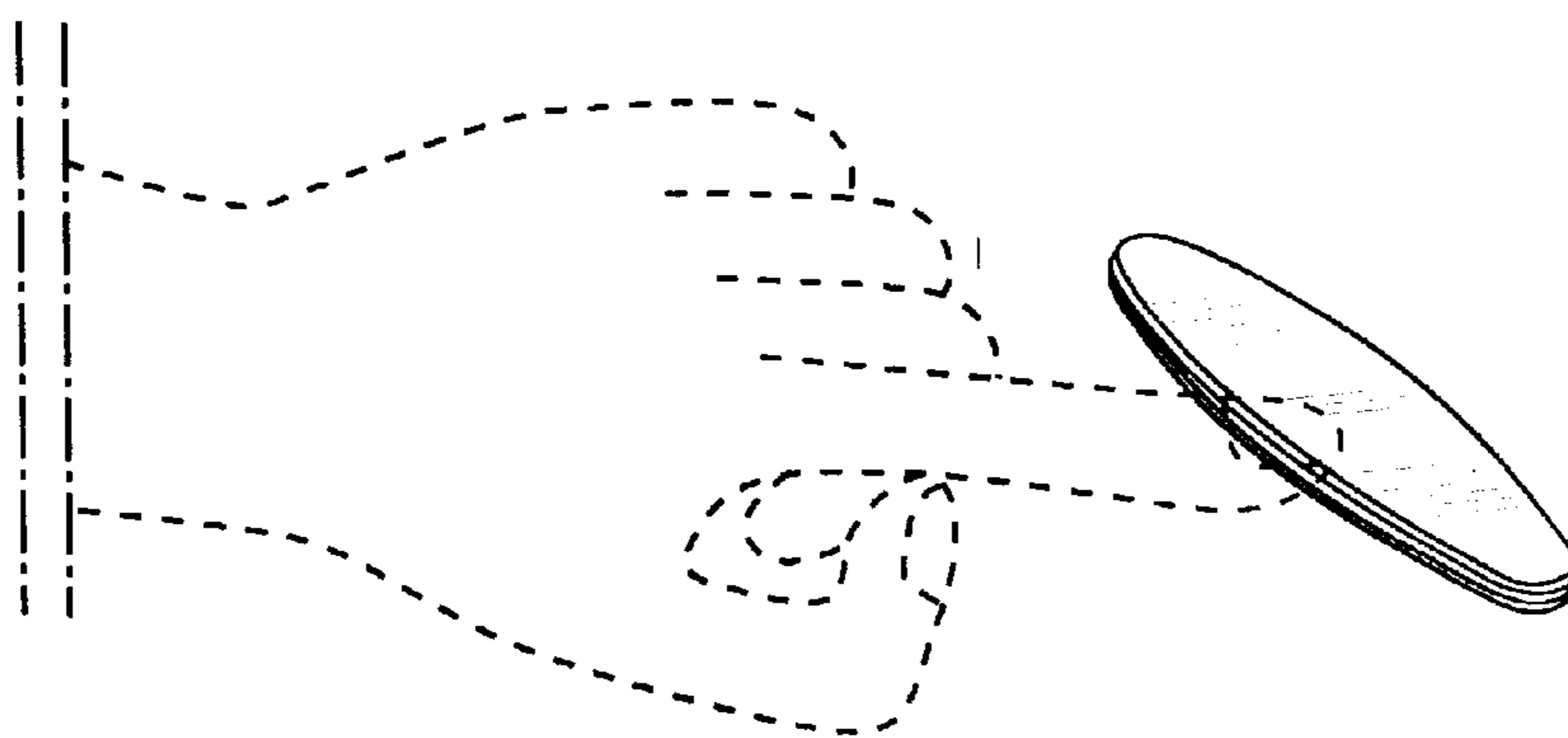


FIG. 10