



US00D453389S

(12) **United States Design Patent**
Phillips

(10) **Patent No.:** **US D453,389 S**

(45) **Date of Patent:** **** Feb. 5, 2002**

(54) **LIGHT FIXTURE**

(75) Inventor: **Todd L. Phillips**, Charleston, SC (US)

(73) Assignee: **Quoizel, Inc.**, Goose Creek, SC (US)

(**) Term: **14 Years**

(21) Appl. No.: **29/134,903**

(22) Filed: **Dec. 30, 2000**

(51) **LOC (7) Cl.** **26-03**

(52) **U.S. Cl.** **D26/84**

(58) **Field of Search** D26/72, 80-92,
D26/143, 145, 147, 67, 68; 362/147, 404-408,
432, 441

(56) **References Cited**

U.S. PATENT DOCUMENTS

- D57,427 S * 3/1921 Frerichs D26/86
- D63,587 S * 12/1923 Poritz D26/84
- D447,269 S * 8/2001 Hsu D26/86

OTHER PUBLICATIONS

Thomas Industries 1995 Catalog p. 46; item #SL8049-1.*
Item No. K-2372 OB, Kichler Lighting, 1998 Catalog.

* cited by examiner

Primary Examiner—Alan P. Douglas

Assistant Examiner—Clare E. Heflin

(74) *Attorney, Agent, or Firm*—Nelson Mullins Riley & Scarborough

(57) **CLAIM**

The ornamental design of a light fixture, as shown and described.

DESCRIPTION

FIG. 1 is a perspective view of a light fixture embodying the design of the present invention.

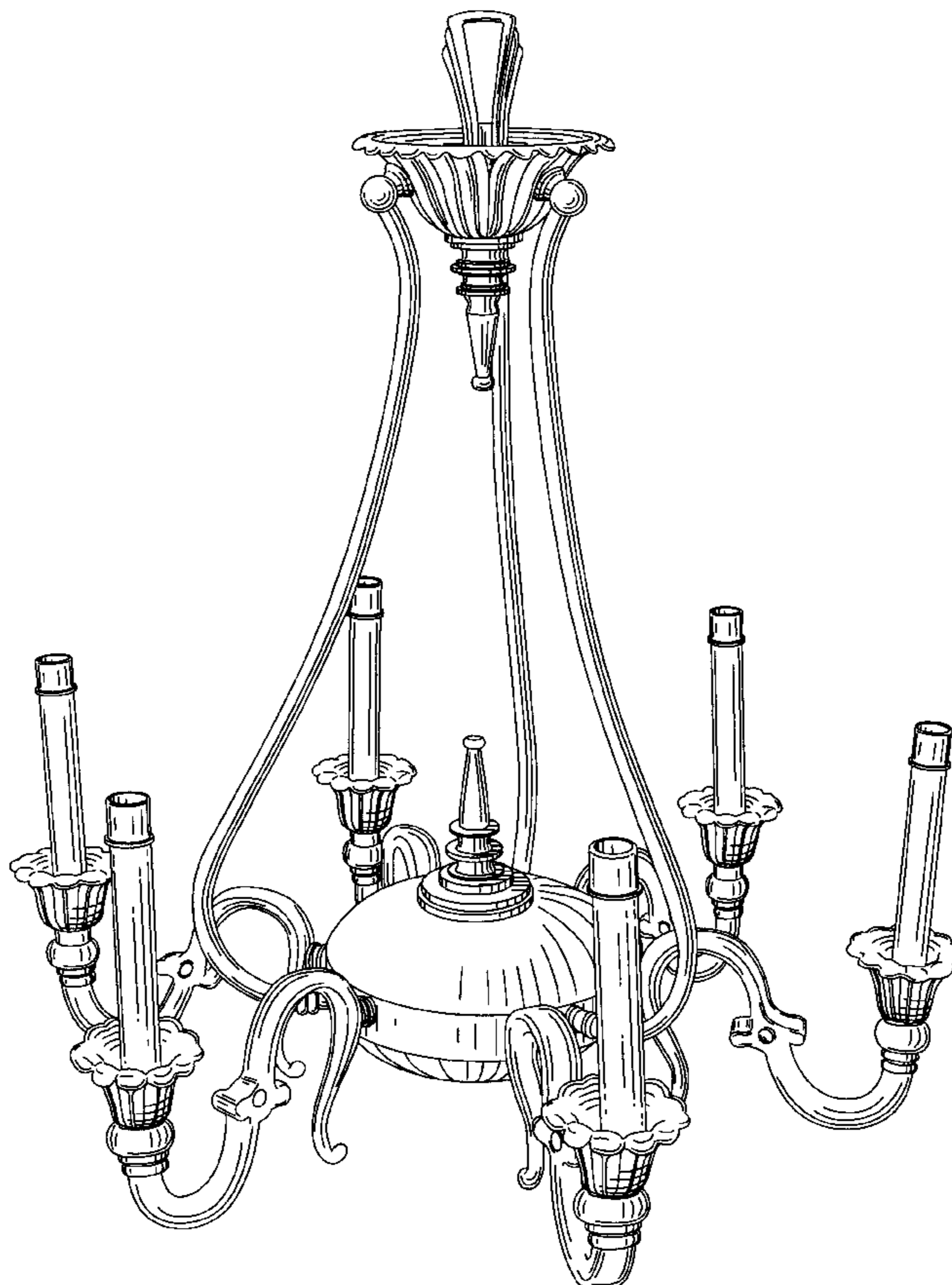
FIG. 2 is a front side elevational view of the light fixture illustrated in FIG. 1.

FIG. 3 is a back side elevational view of the light fixture illustrated in FIG. 1.

FIG. 4 is a top view of the light fixture illustrated in FIG. 1; and,

FIG. 5 is a bottom view of the light fixture illustrated in FIG. 1.

1 Claim, 5 Drawing Sheets



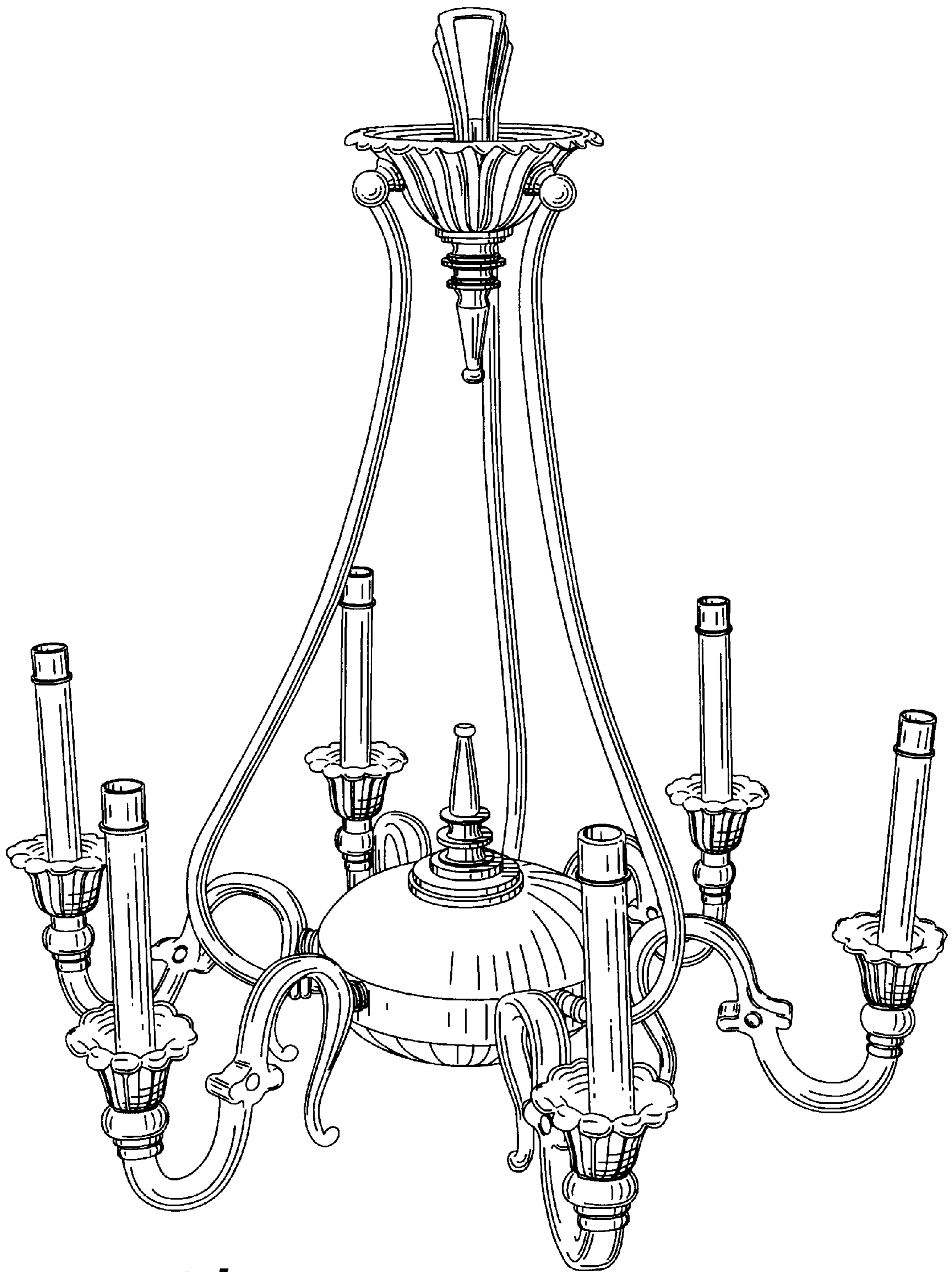


FIG. 1.

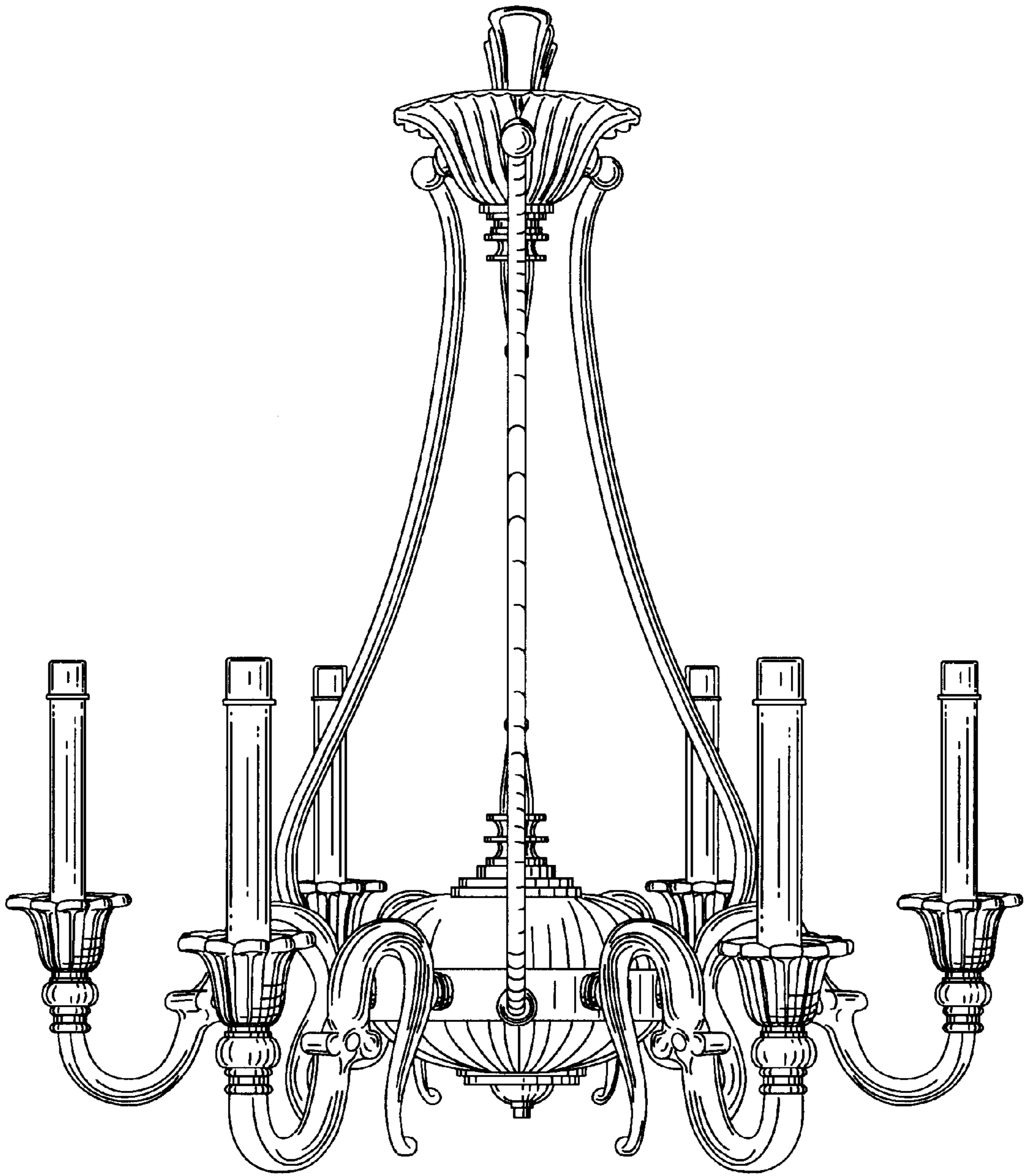


FIG. 2.

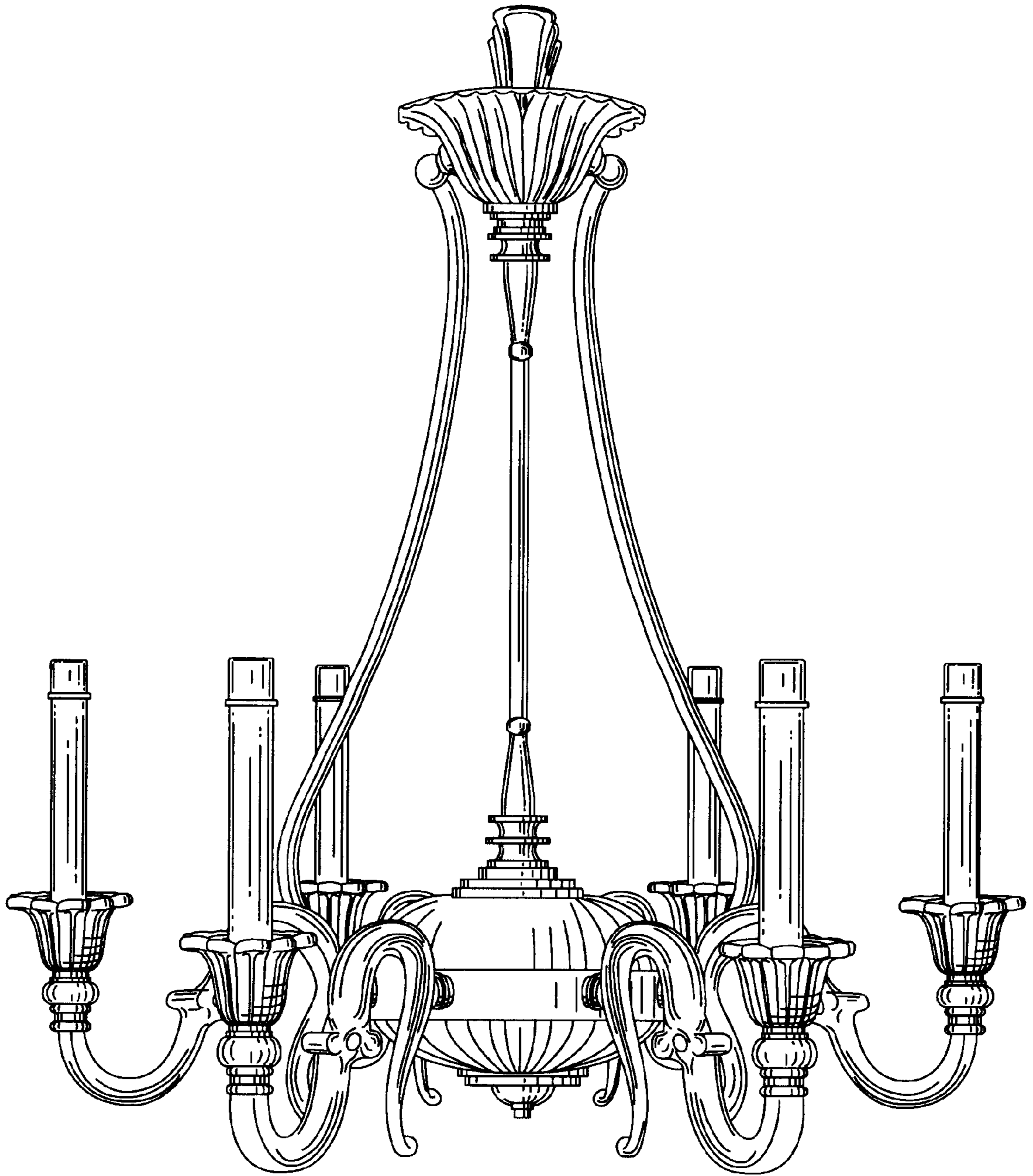


FIG. 3.

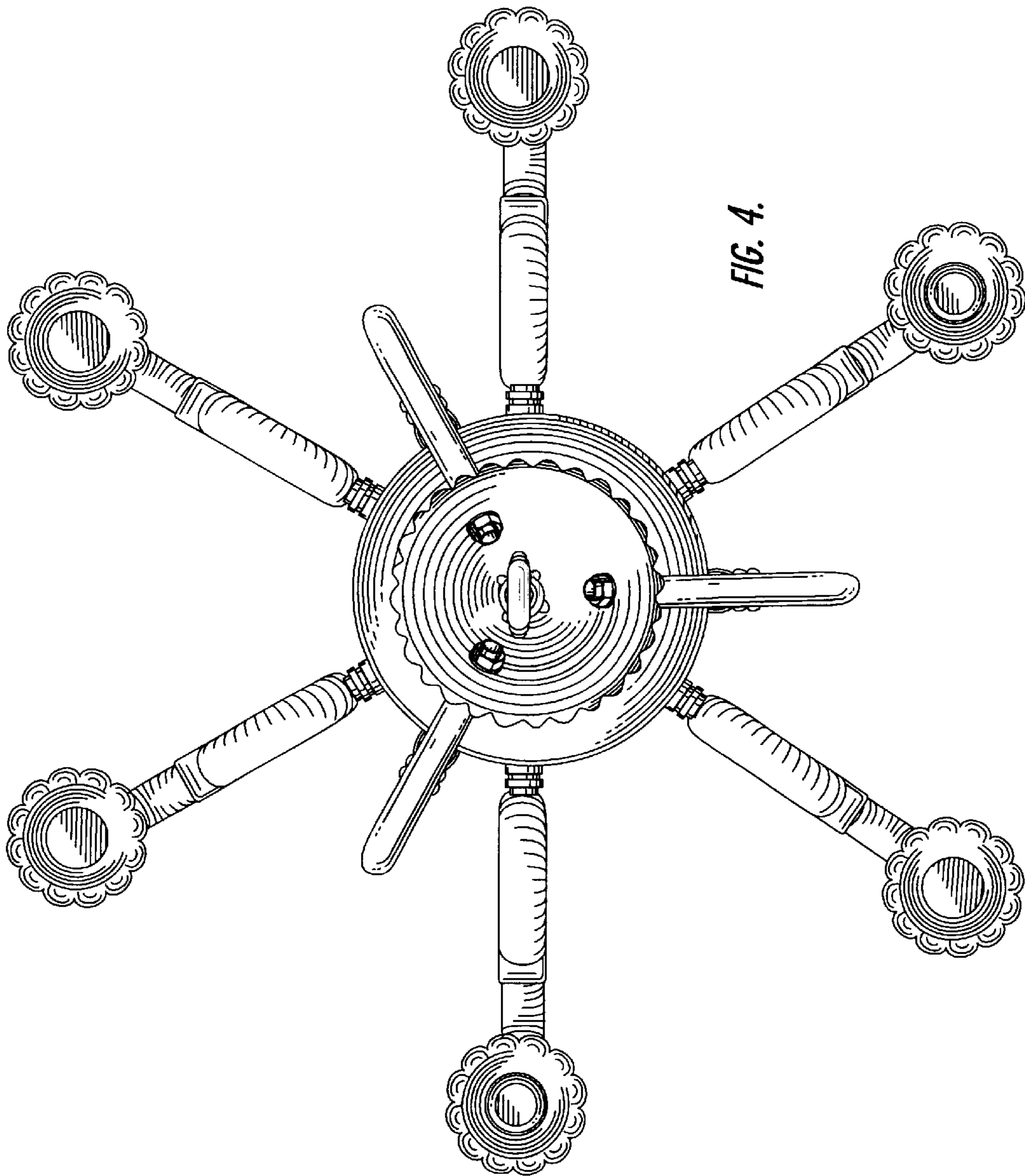


FIG. 4.

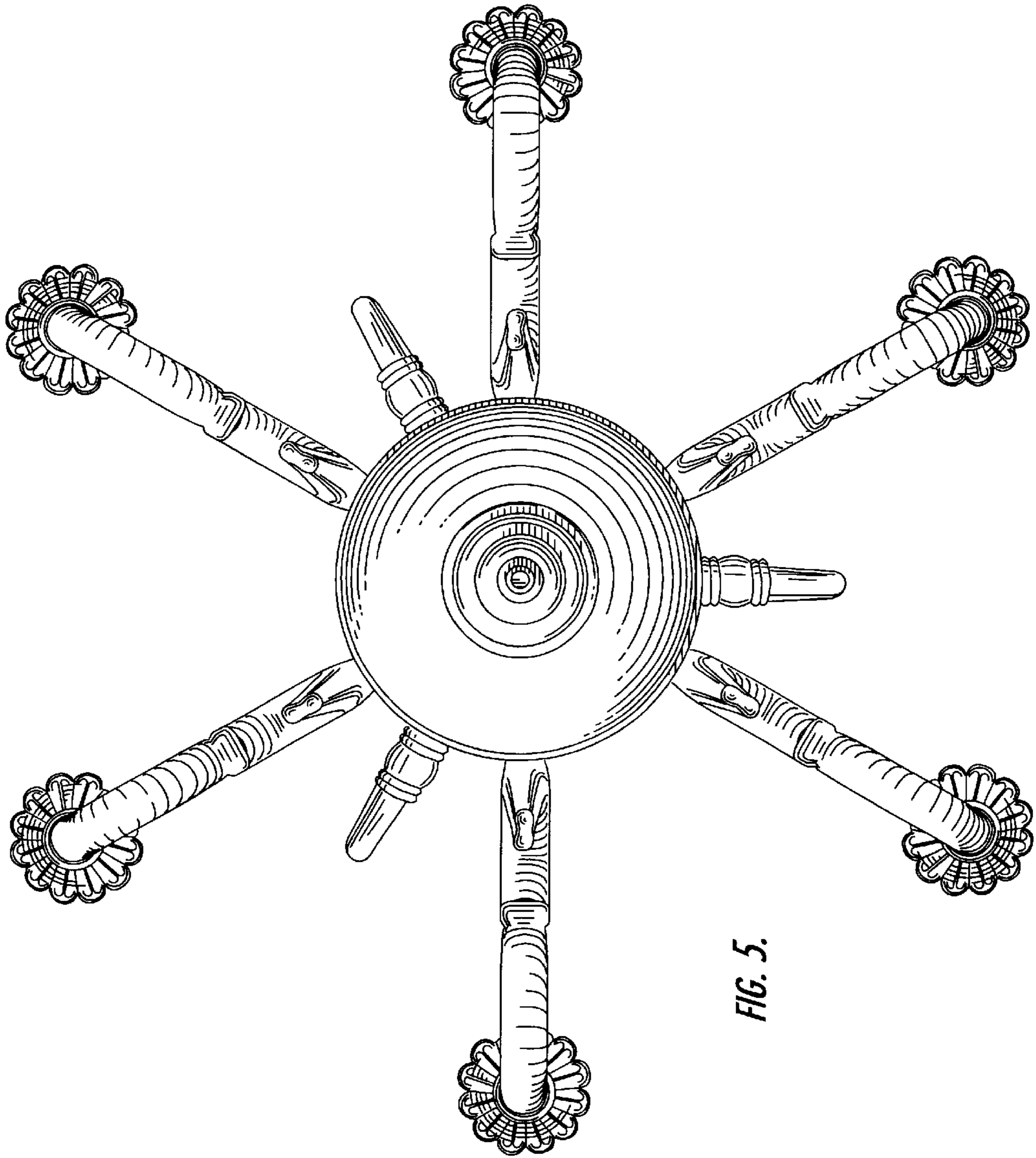


FIG. 5.