



US00D453388S

(12) **United States Design Patent**
Leen

(10) **Patent No.:** **US D453,388 S**

(45) **Date of Patent:** **** Feb. 5, 2002**

(54) **ACCORDION STYLE LANDSCAPE LIGHT**

(76) Inventor: **Monte A. Leen**, 11730 NE. 12th St.,
Bellevue, WA (US) 98005

(**) Term: **14 Years**

(21) Appl. No.: **29/137,777**

(22) Filed: **Feb. 26, 2001**

(51) **LOC (7) Cl.** **26-05**

(52) **U.S. Cl.** **D26/67**

(58) **Field of Search** D26/67-71, 93,
D26/104-112; 362/153, 153.1, 431, 410-414

(56) **References Cited**
PUBLICATIONS

Landscape Lighting by Sturdy 1989 catalog, outdoor lamp
on left side of cover.*

Intermatic ® Malibu ® Lighting Collection 1995 catalog,
outdoor lamps on p. 4.*

* cited by examiner

Primary Examiner—Alan P. Douglas

Assistant Examiner—Linda Brooks

(74) *Attorney, Agent, or Firm*—Dean A. Craine

(57) **CLAIM**

The ornamental design for an accordion style landscape
light, as shown and described.

DESCRIPTION

FIG. 1 is a perspective view of the accordion style landscape
light.

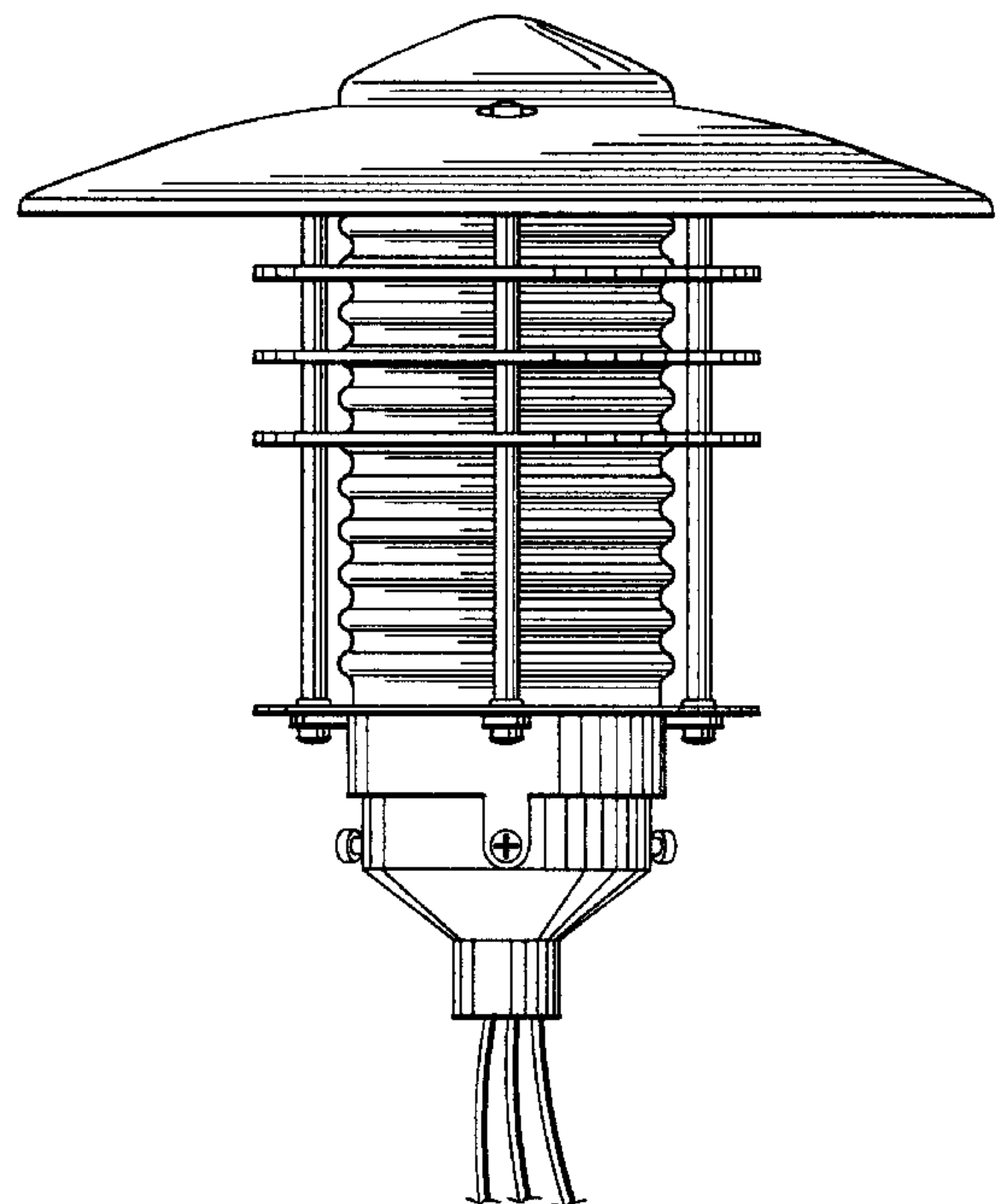
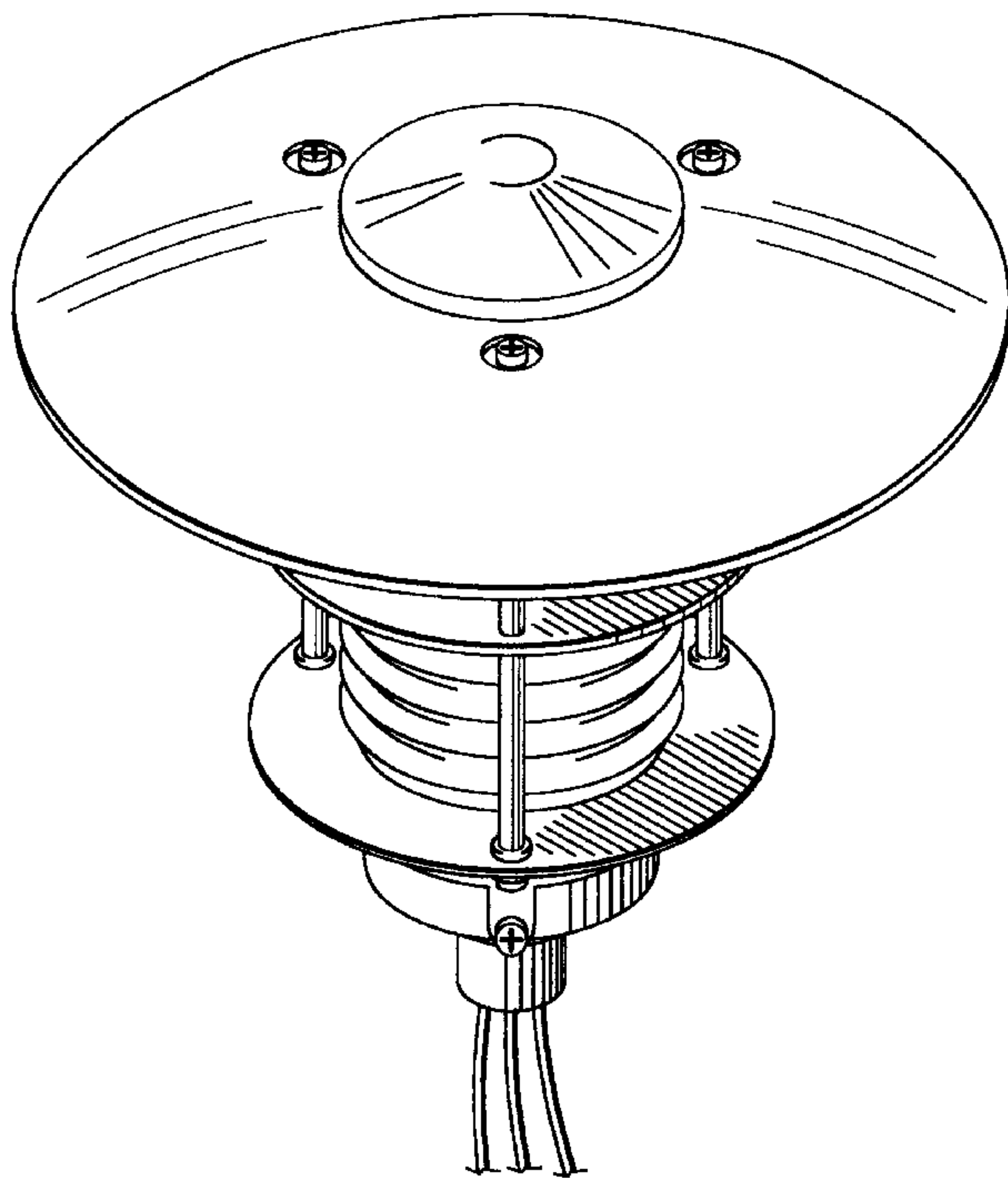
FIG. 2 is a front elevation view of the invention.

FIG. 3 is a right side elevation view of the invention.

FIG. 4 is a top plan view of the invention; and,

FIG. 5 is a bottom plan view of the invention.

1 Claim, 3 Drawing Sheets



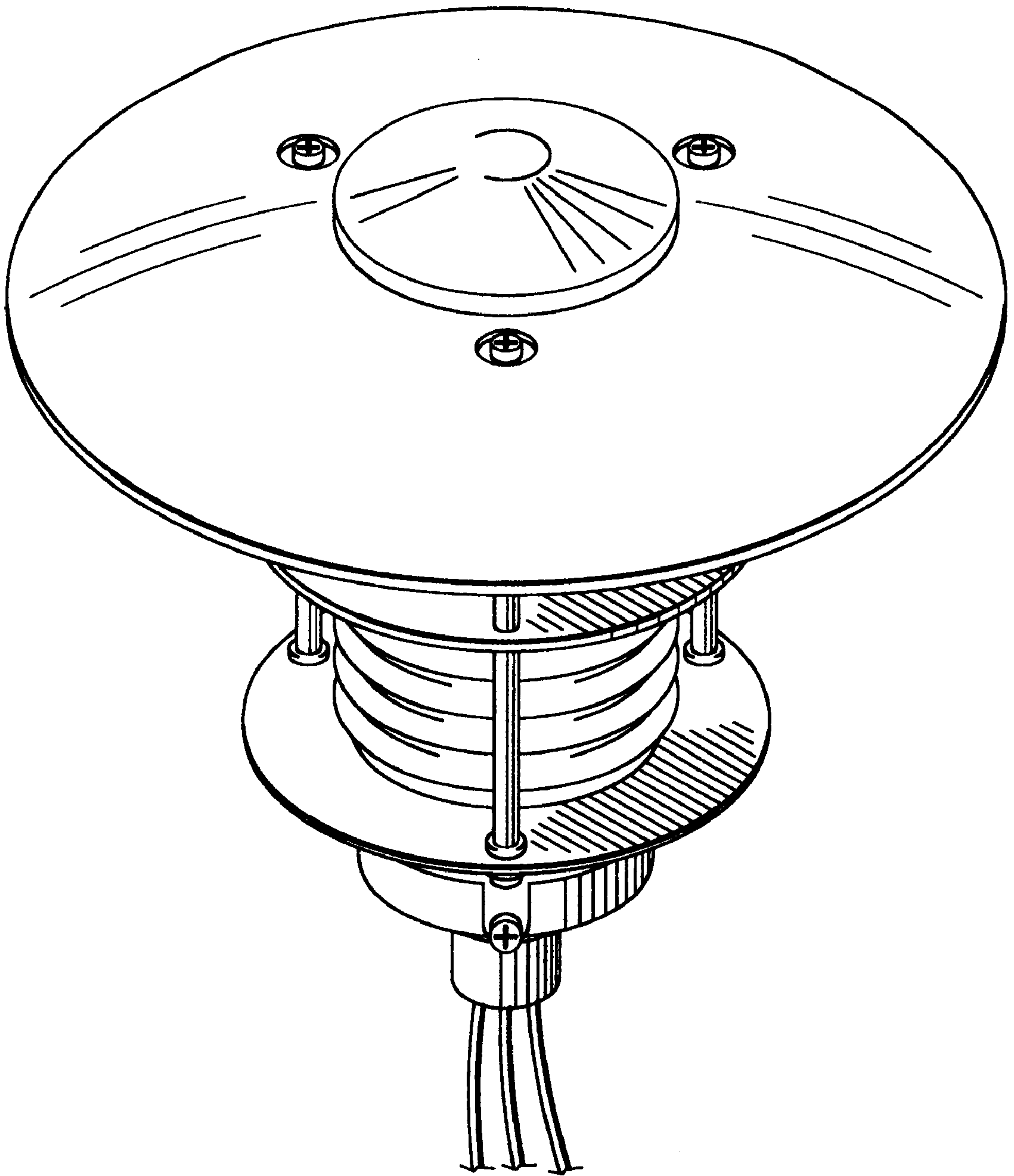
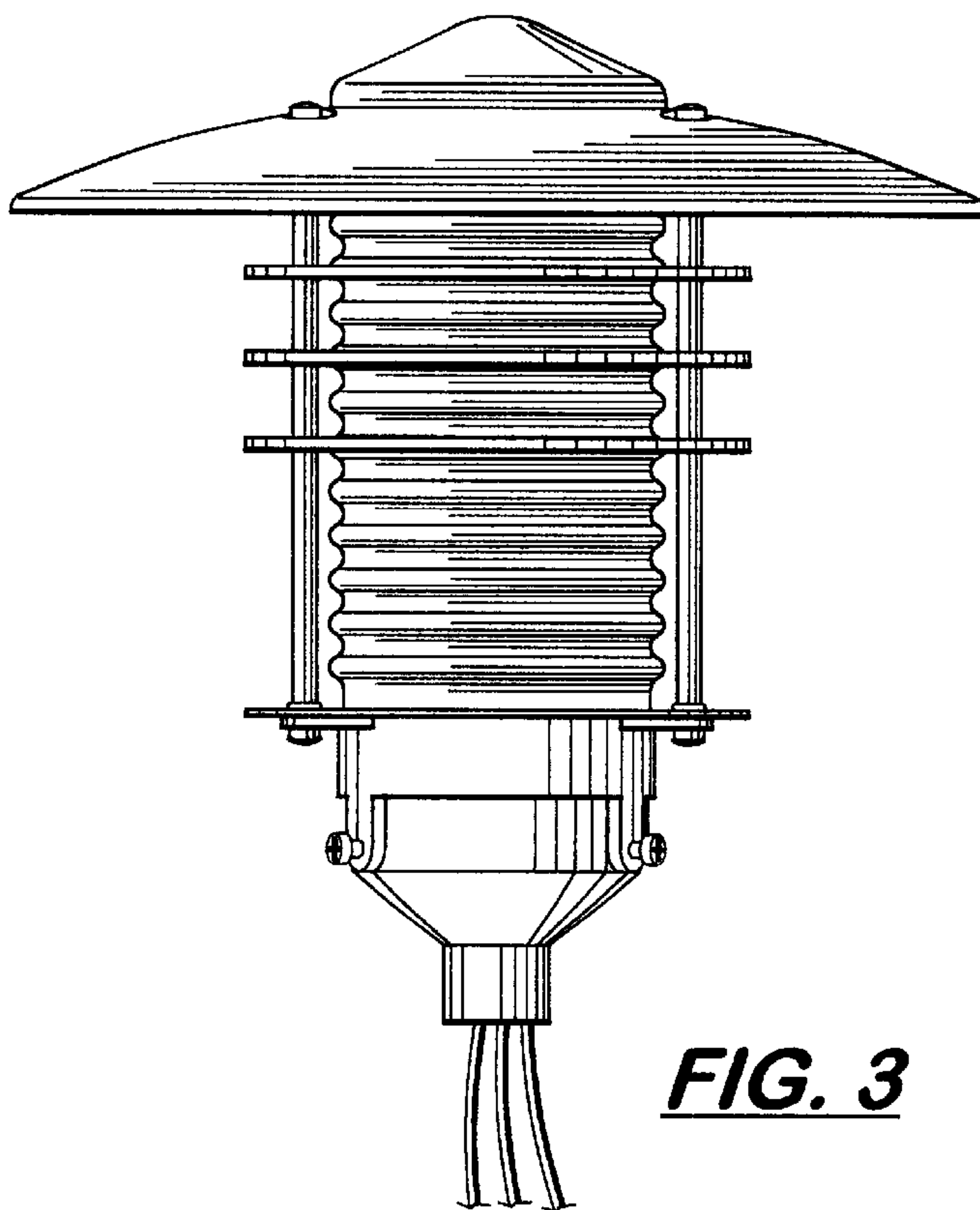
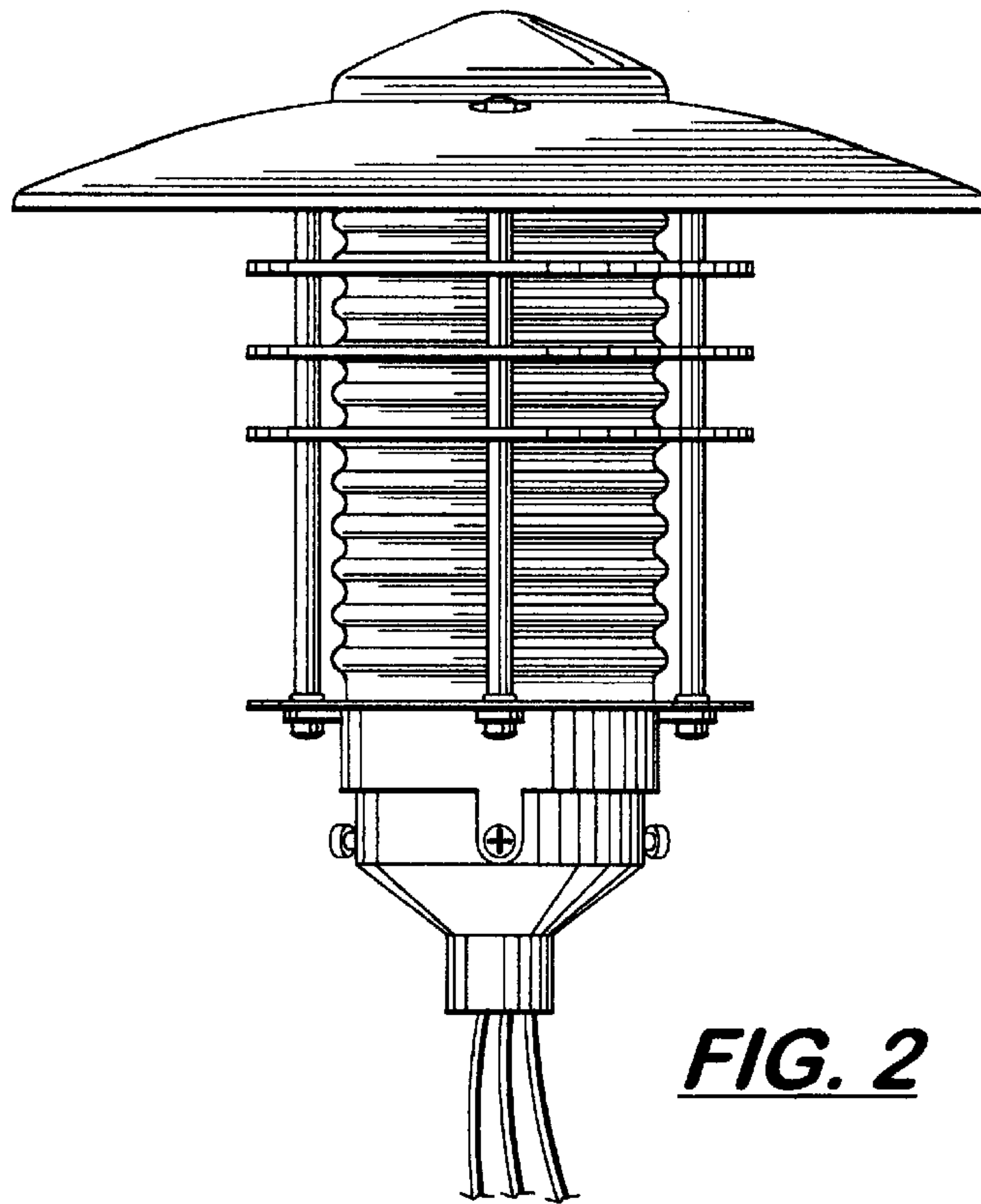


FIG. 1



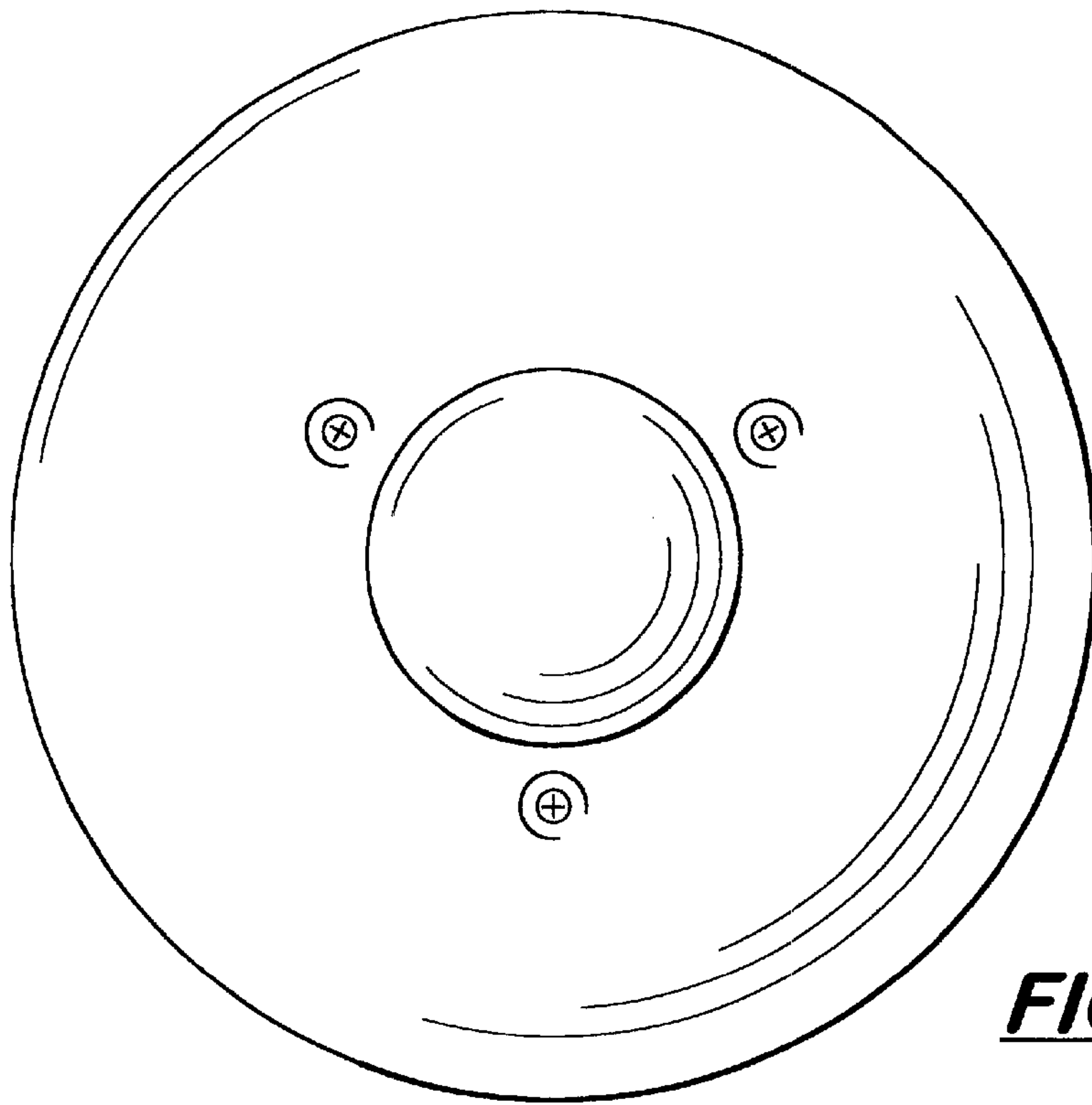


FIG. 4

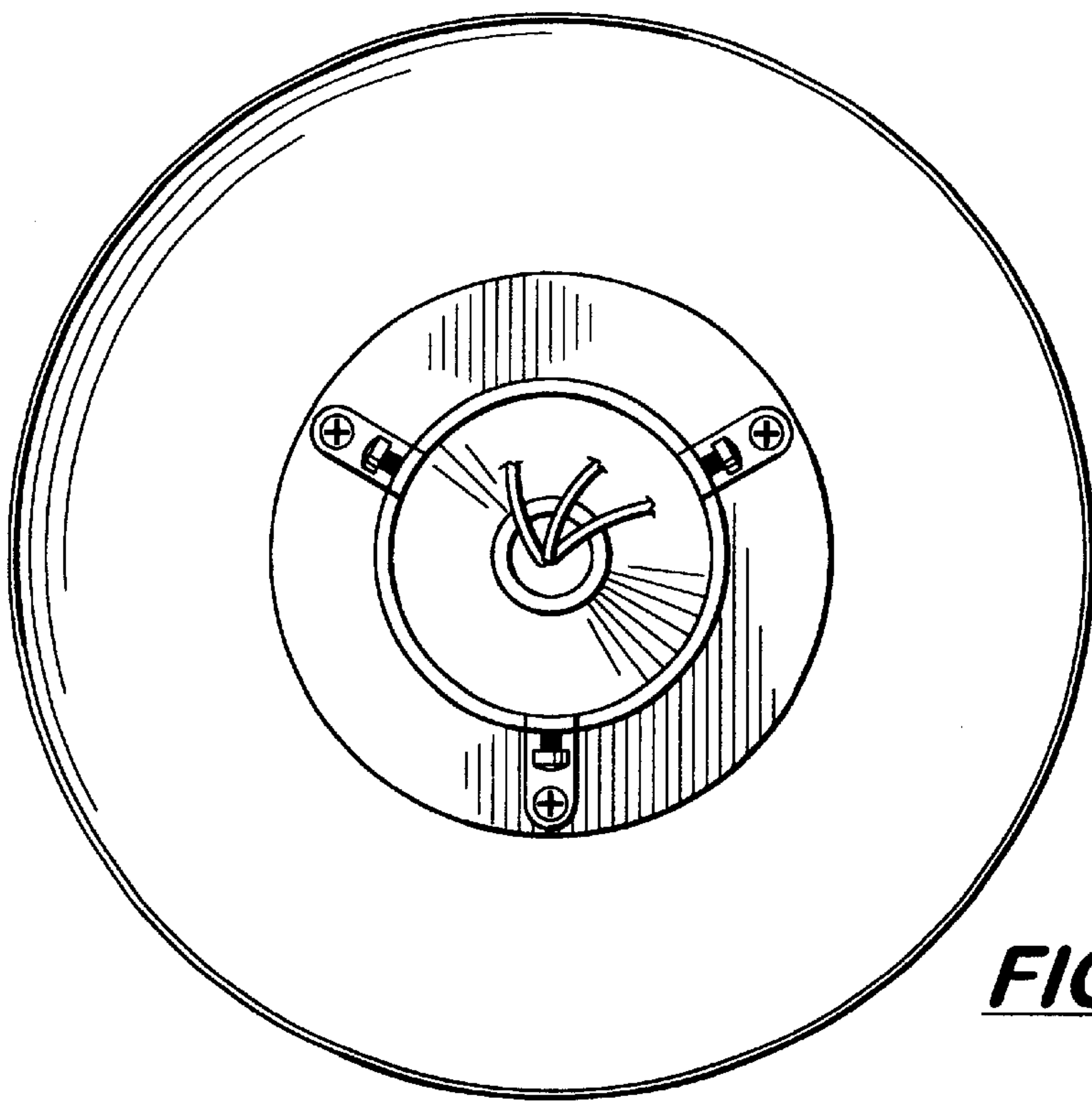


FIG. 5