



US00D453387S

(12) **United States Design Patent**
Leen

(10) **Patent No.:** **US D453,387 S**

(45) **Date of Patent:** **** Feb. 5, 2002**

(54) **DUAL LIGHT SENSORS FIXTURE**

D435,924 S * 1/2001 Hiller et al. D26/63

(76) Inventor: **Monte A. Leen**, 11730 NE. 12th St.,
Bellevue, WA (US) 98005

* cited by examiner

(**) Term: **14 Years**

Primary Examiner—Susan J. Lucas

(74) *Attorney, Agent, or Firm*—Dean A. Craine

(21) Appl. No.: **29/127,593**

(57) **CLAIM**

(22) Filed: **Aug. 8, 2000**

The ornamental design for a dual light sensors fixture, as shown and described.

(51) **LOC (7) Cl.** **26-05**

DESCRIPTION

(52) **U.S. Cl.** **D26/65**

(58) **Field of Search** D26/60–66; 362/269,
362/270, 275, 277, 278, 281, 283, 284,
285, 287, 289, 400, 401, 402, 427, 423

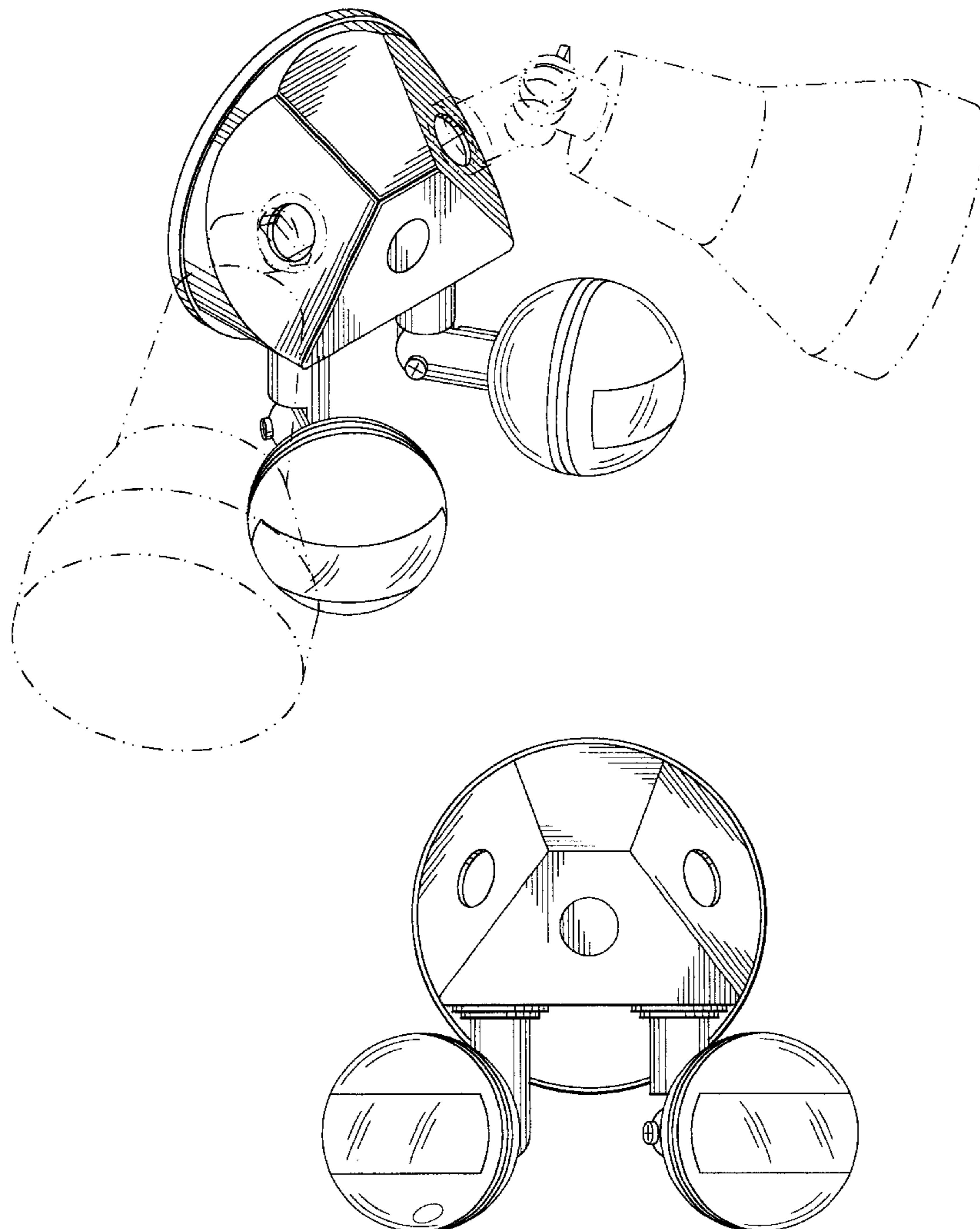
FIG. 1 is a perspective view of the dual light sensors fixture.
FIG. 2 is a front elevation view of the invention.
FIG. 3 is a rear elevation view of the invention.
FIG. 4 is a top plan view of the invention.
FIG. 5 is a bottom plan view of the invention.
FIG. 6 is a right side elevation view of the invention; and,
FIG. 7 is a left side elevation view of the invention.
The broken lines are shown for illustrative purposes only
and form no part of the claimed design.

(56) **References Cited**

U.S. PATENT DOCUMENTS

- D374,496 S * 10/1996 Small D26/63
- D392,406 S * 3/1998 Morrow et al. D26/65
- D407,518 S * 3/1999 Yeh D26/63
- 5,941,630 A * 8/1999 Finke et al. 362/287 X

1 Claim, 4 Drawing Sheets



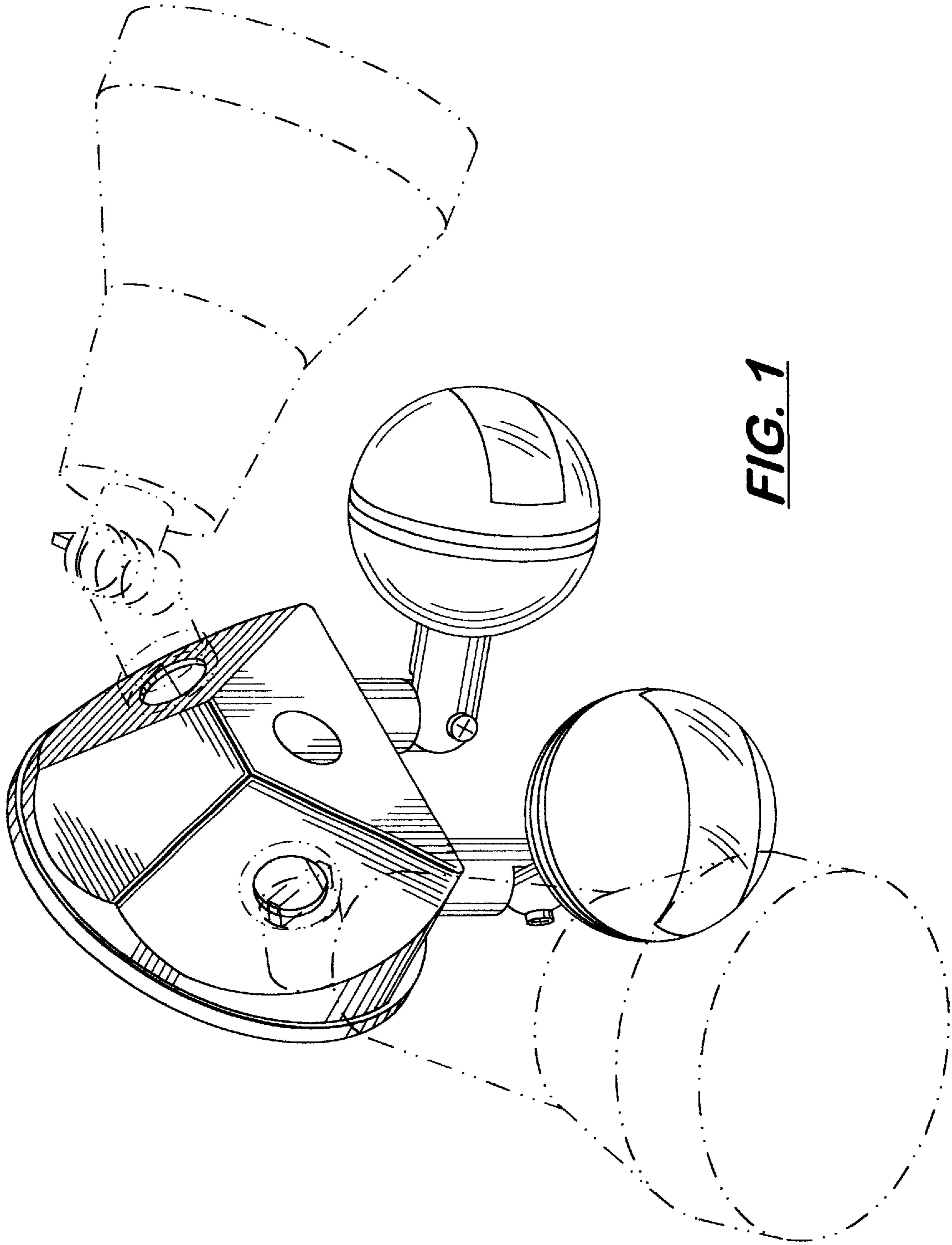


FIG. 1

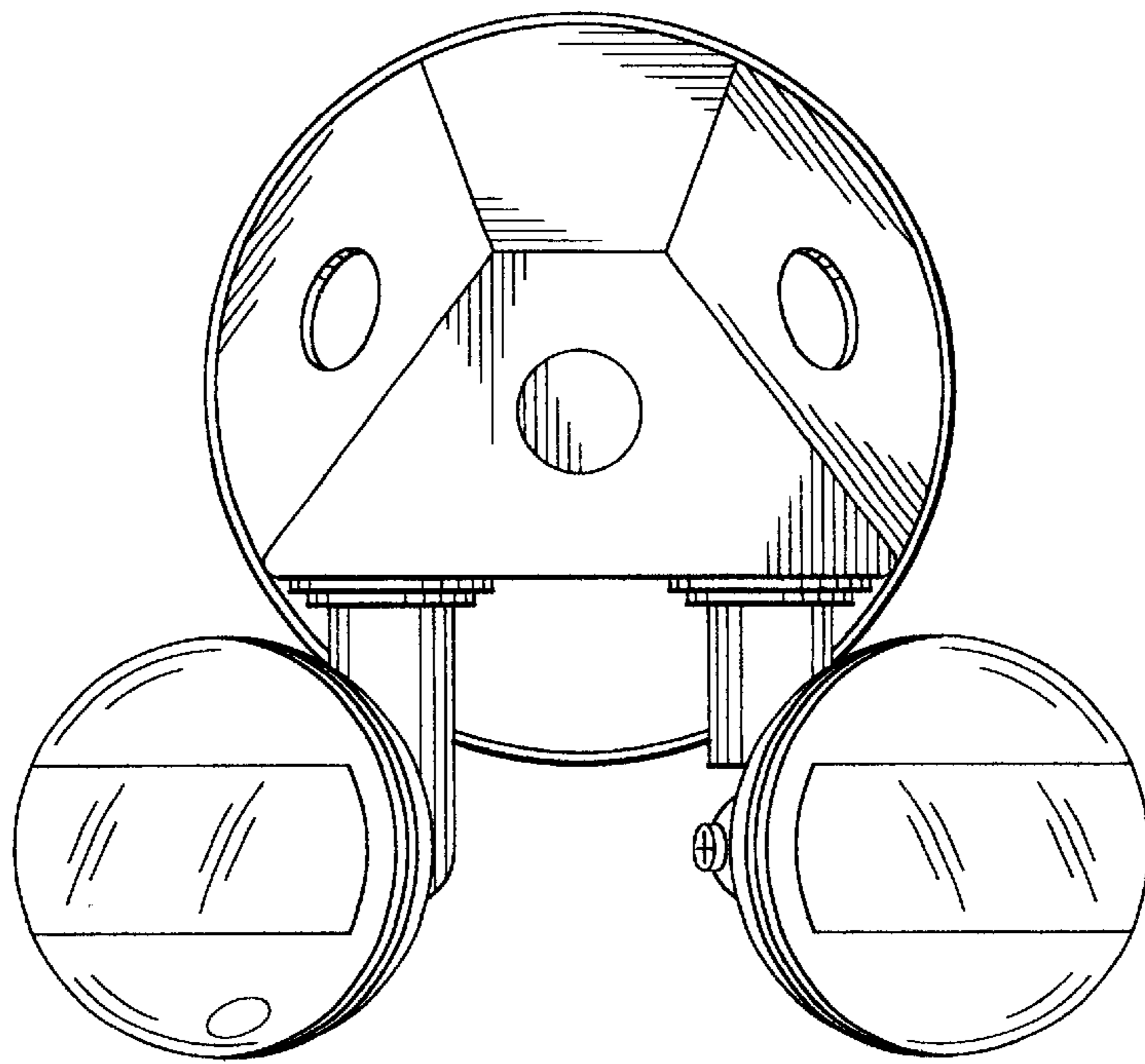


FIG. 2

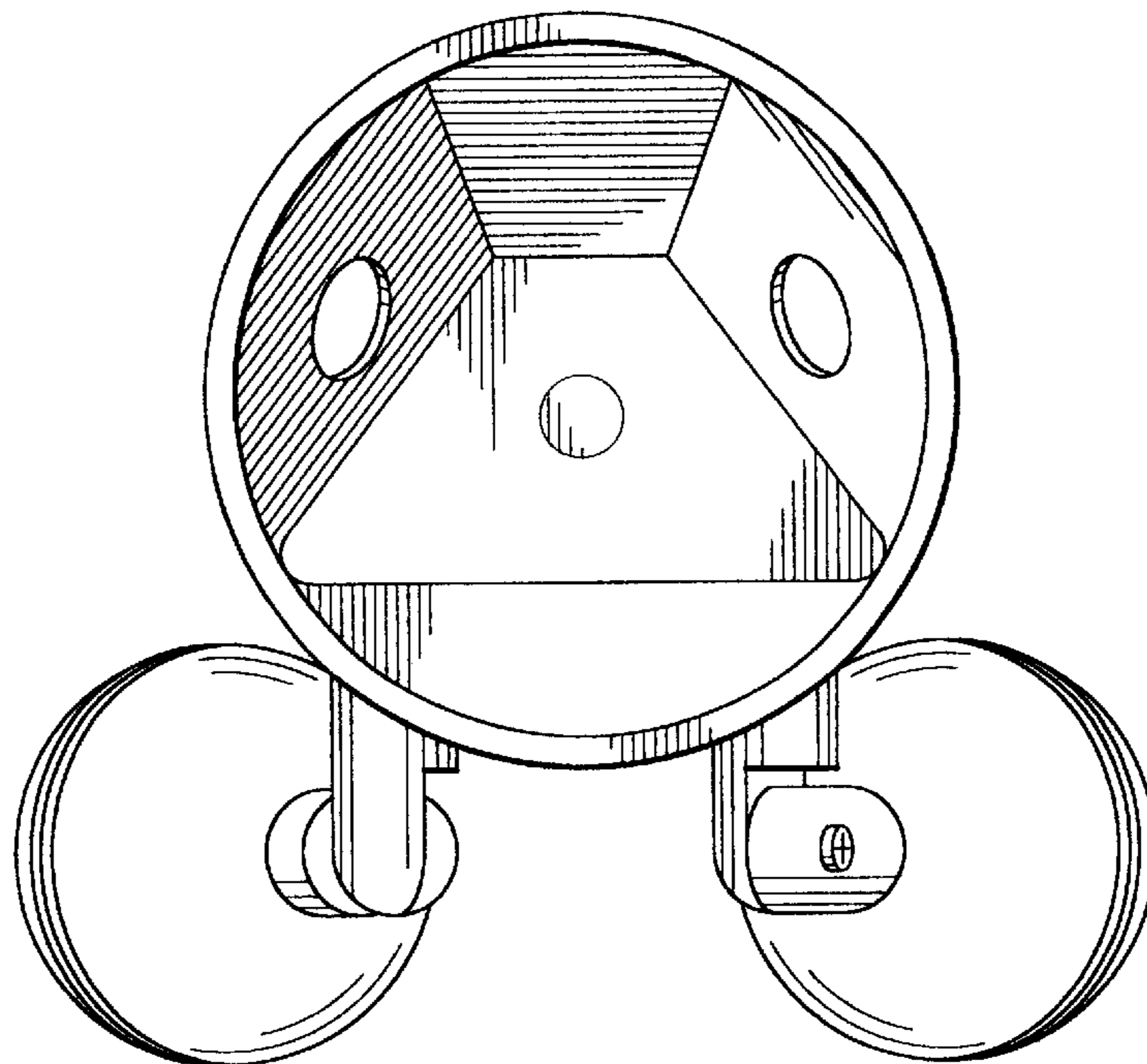


FIG. 3

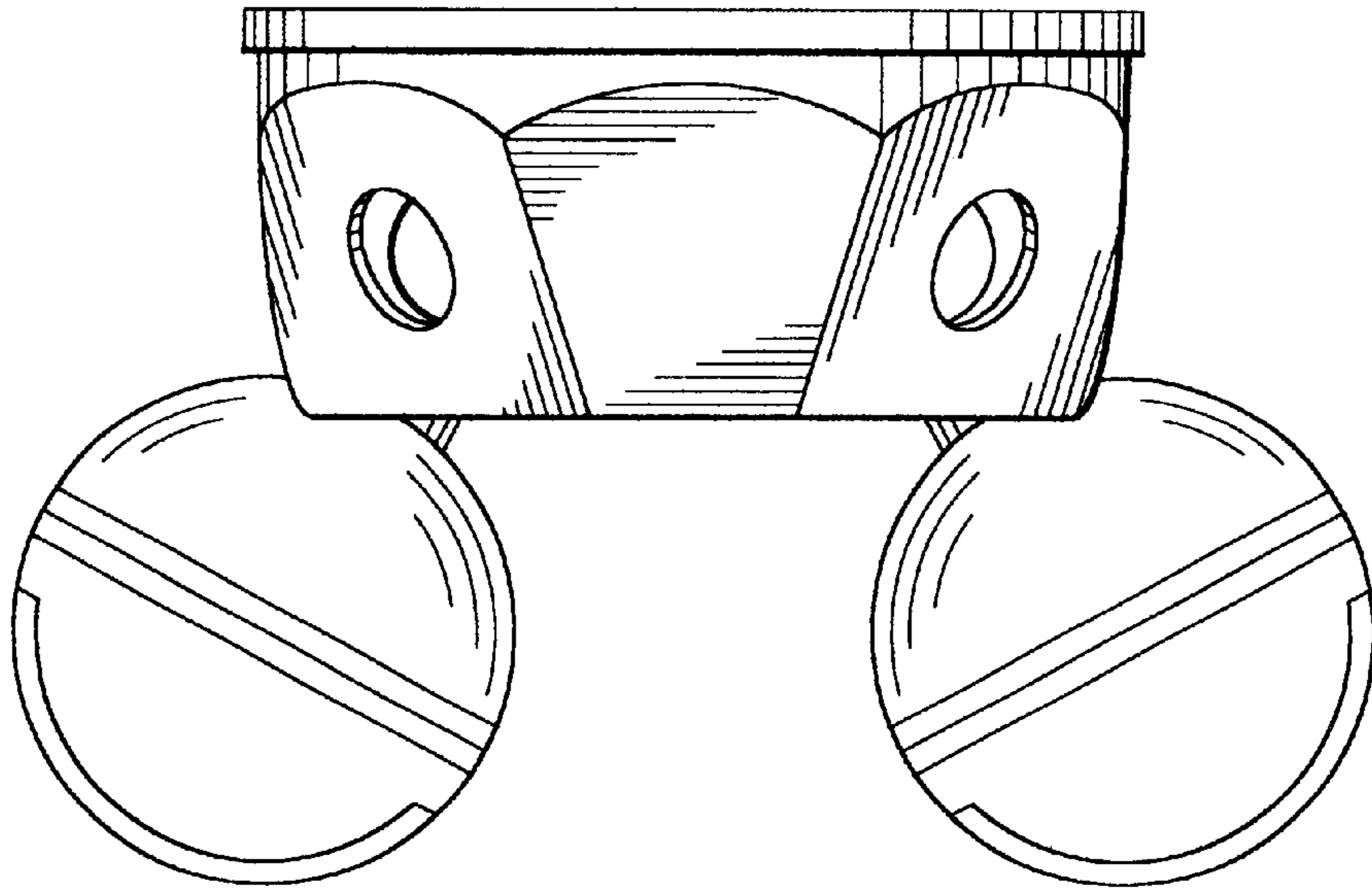


FIG. 4

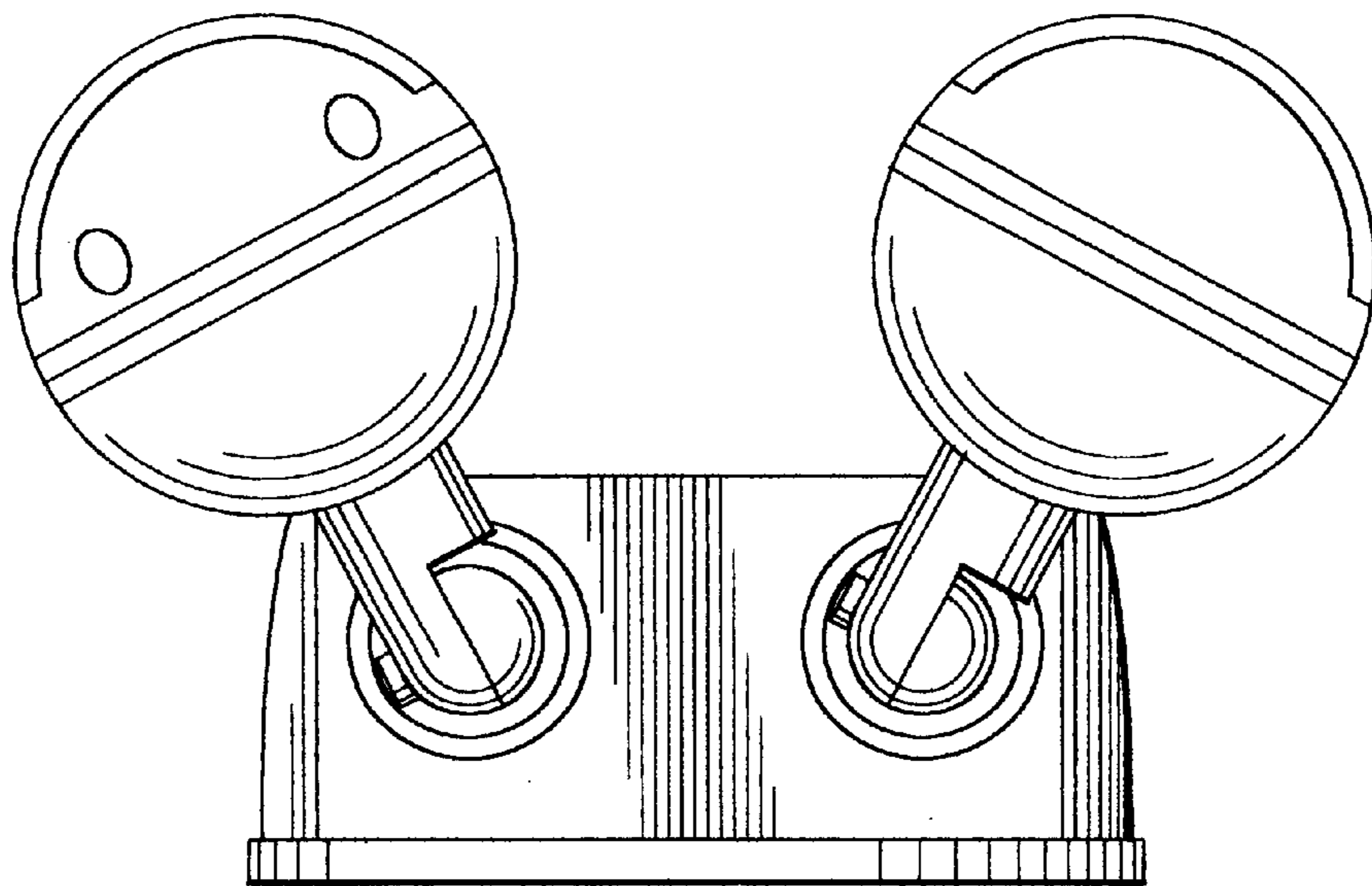


FIG. 5

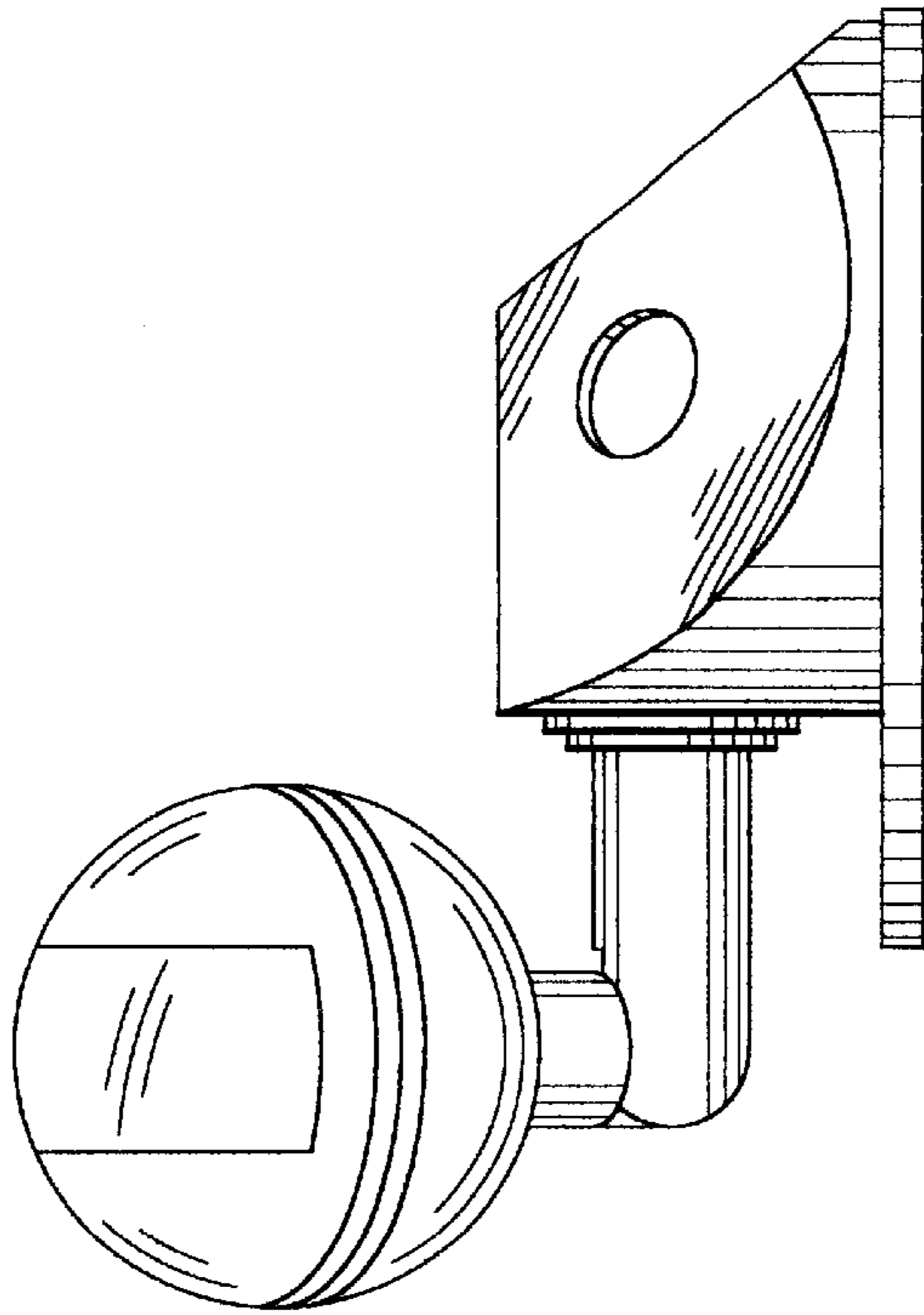


FIG. 6

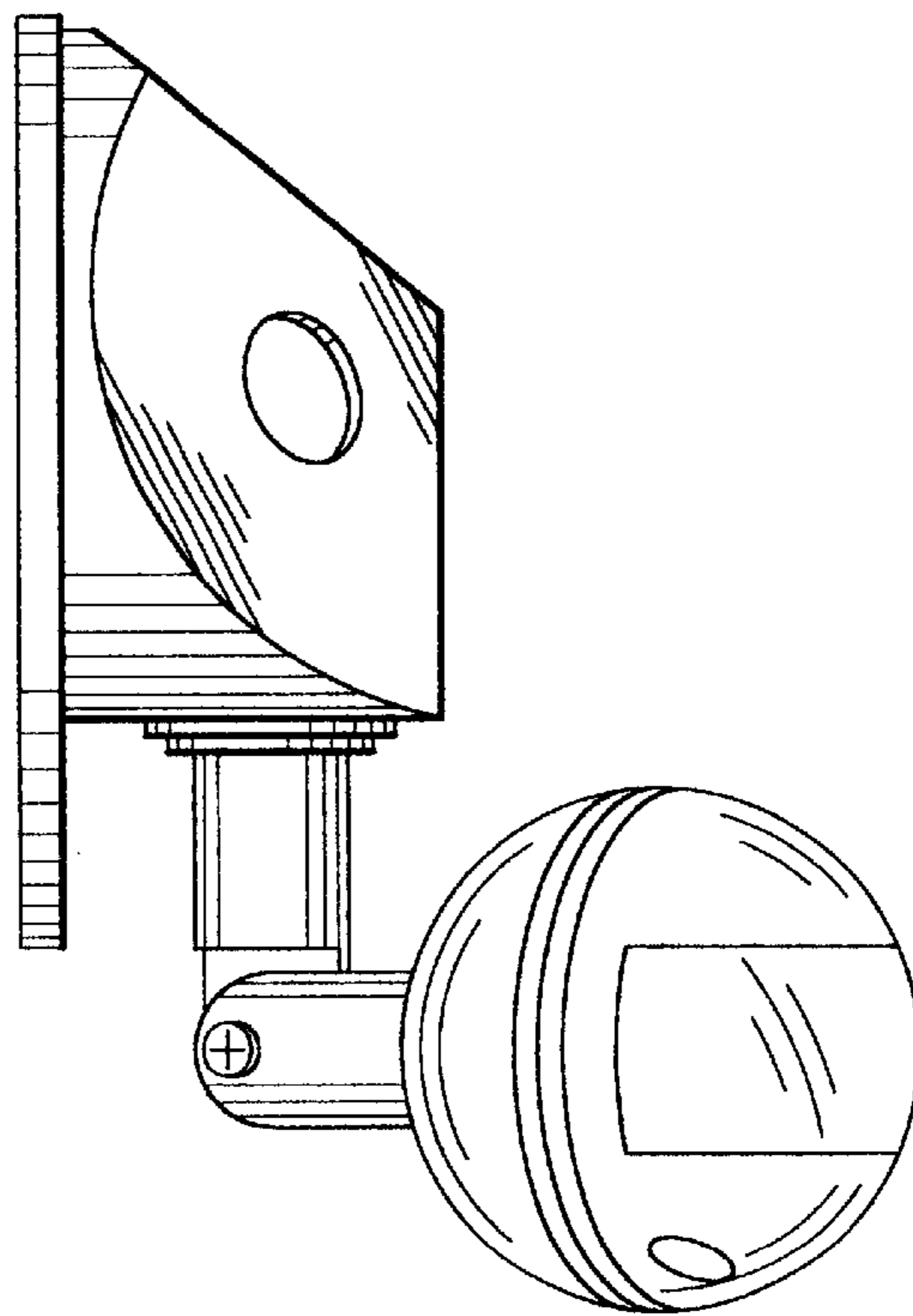


FIG. 7