



US00D453380S

(12) **United States Design Patent**  
**Waluszko et al.**

(10) **Patent No.:** **US D453,380 S**

(45) **Date of Patent:** **\*\* Feb. 5, 2002**

(54) **HYBRICYCLER OVEN**

(75) **Inventors:** **Alexander Waluszko**, Pasadena; **John M. Simonen**, Phillips Ranch; **Anne K. Cole**, Claremont; **James R. Lindsay**, Yorba Linda, all of CA (US)

(73) **Assignee:** **UVP, Inc.**, Upland, CA (US)

(\*\*) **Term:** **14 Years**

(21) **Appl. No.:** **29/135,825**

(22) **Filed:** **Jan. 18, 2001**

(51) **LOC (7) Cl.** ..... **24-01**

(52) **U.S. Cl.** ..... **D24/216; D24/232**

(58) **Field of Search** ..... D24/216, 232,  
D24/162; 435/303.1, 303.2, 303.3, 283.1,  
286.7, 287.2, 287.3; D7/348, 350.3; 422/99,  
100, 104, 102

(56) **References Cited**

**U.S. PATENT DOCUMENTS**

5,360,741 A \* 11/1994 Hunnell ..... 435/287.2

5,380,662 A \* 1/1995 Robbins et al. .... 435/303.1

5,635,398 A \* 6/1997 Kapka et al. .... 435/286.7

6,235,245 B1 \* 5/2001 Sherman et al. .... 422/102

\* cited by examiner

*Primary Examiner*—Ian Simmons

(74) *Attorney, Agent, or Firm*—James E. Brunton

(57) **CLAIM**

The ornamental design for a “hybricycler oven”, as shown.

**DESCRIPTION**

FIG. 1 is a perspective view of a hybricycler oven showing our new design;

FIG. 2 is a front view;

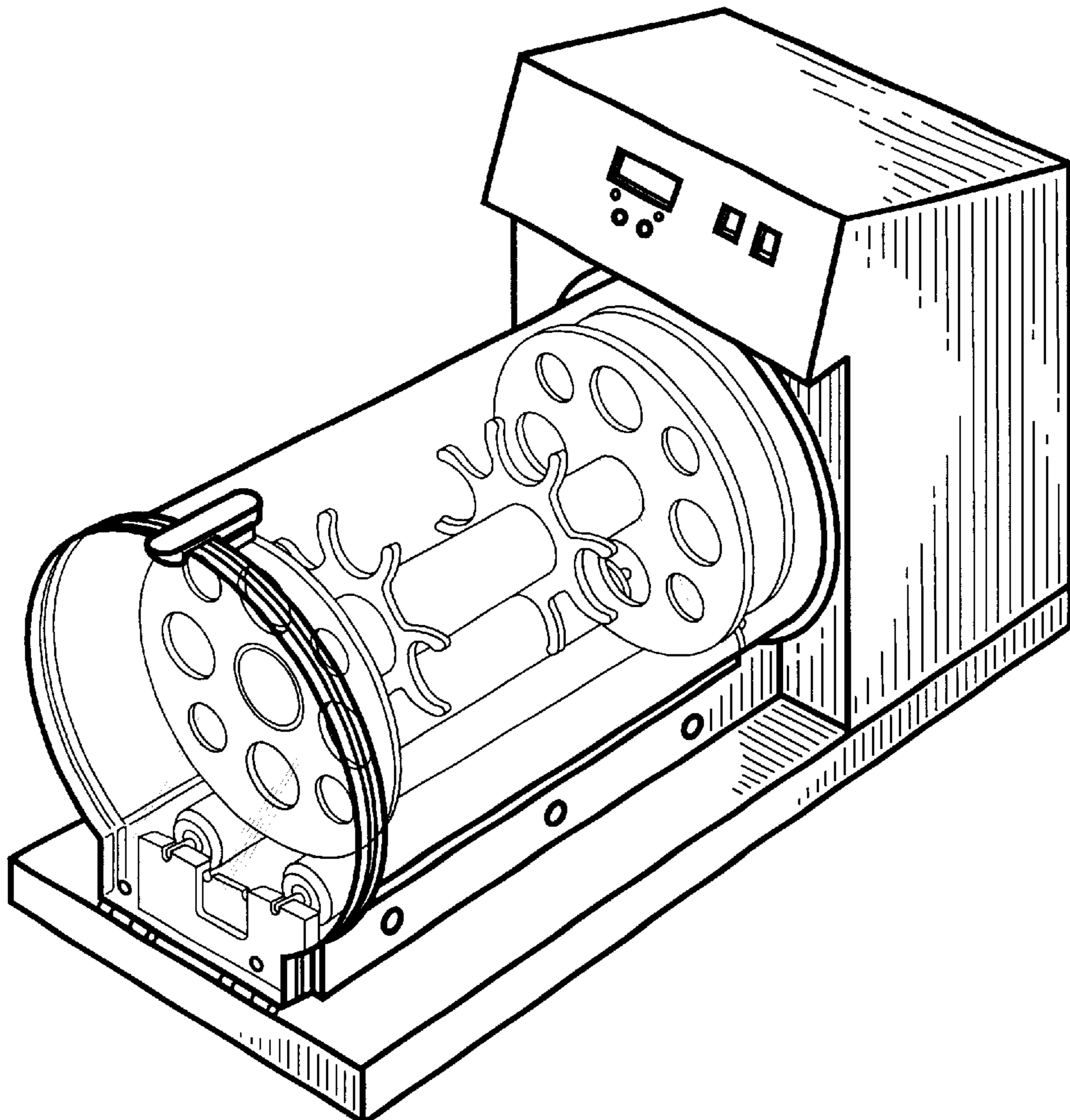
FIG. 3 is a rear view;

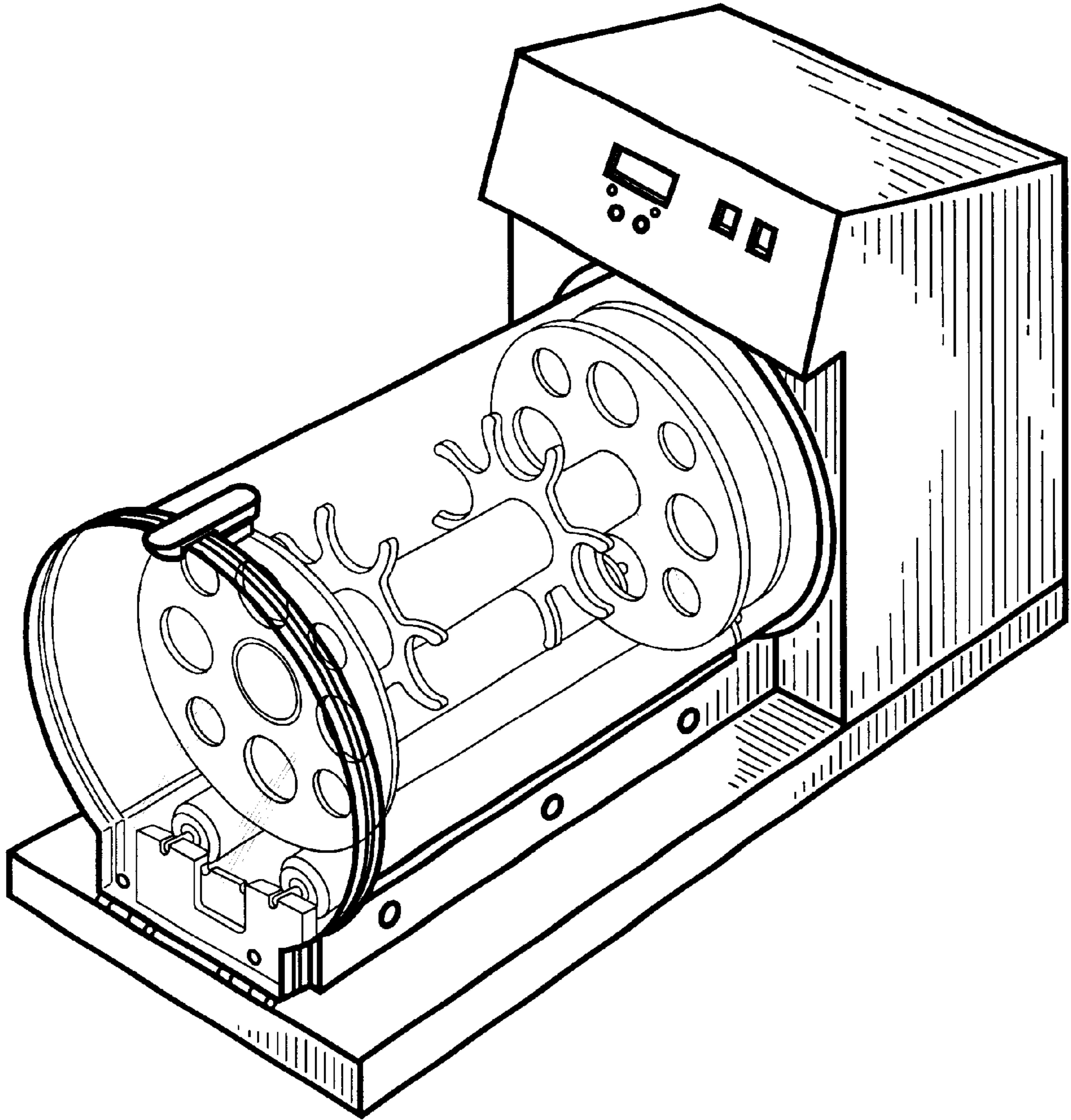
FIG. 4 is a left side view;

FIG. 5 is a right side view; and,

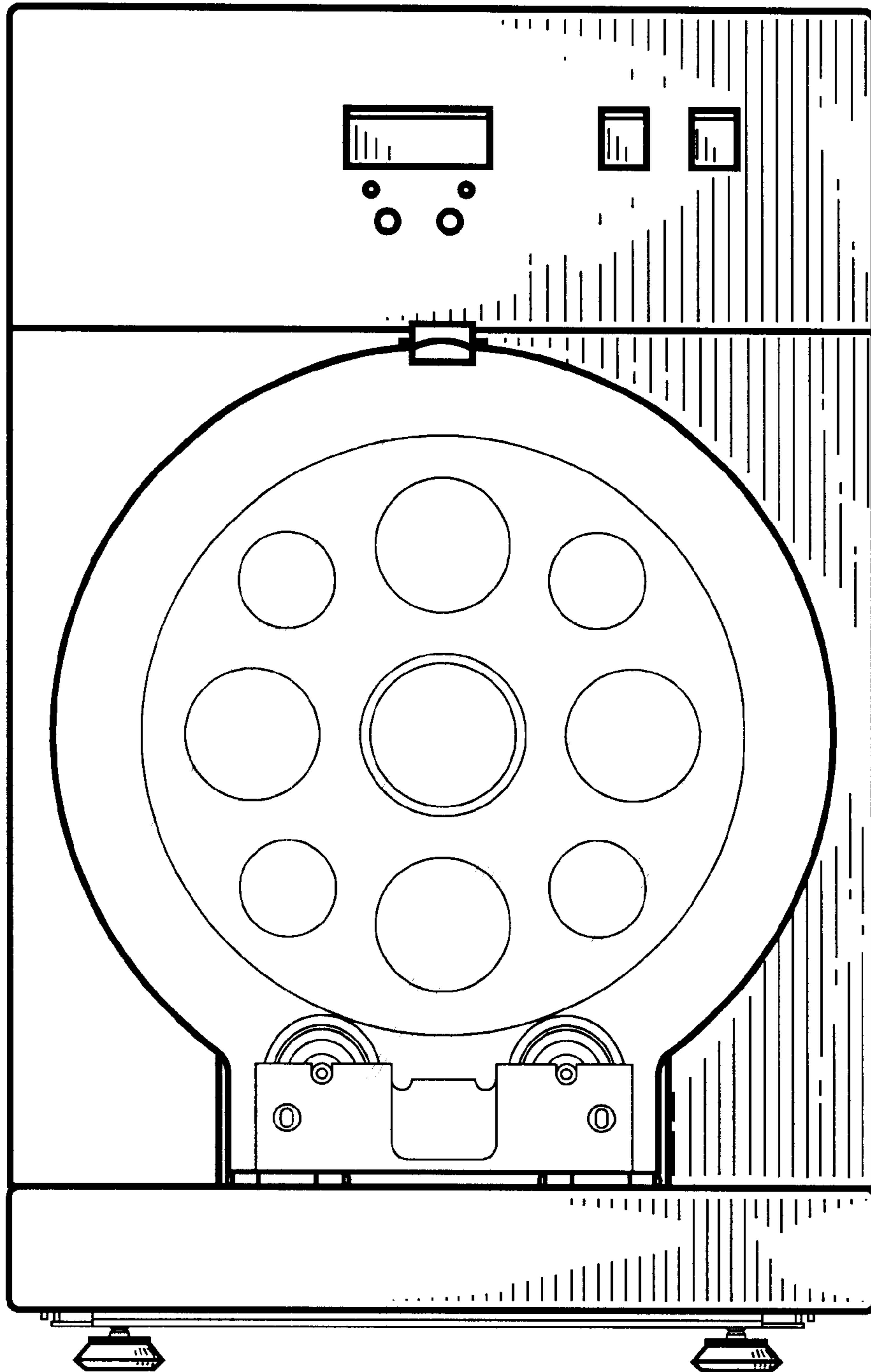
FIG. 6 is a top plan view thereof.

**1 Claim, 6 Drawing Sheets**

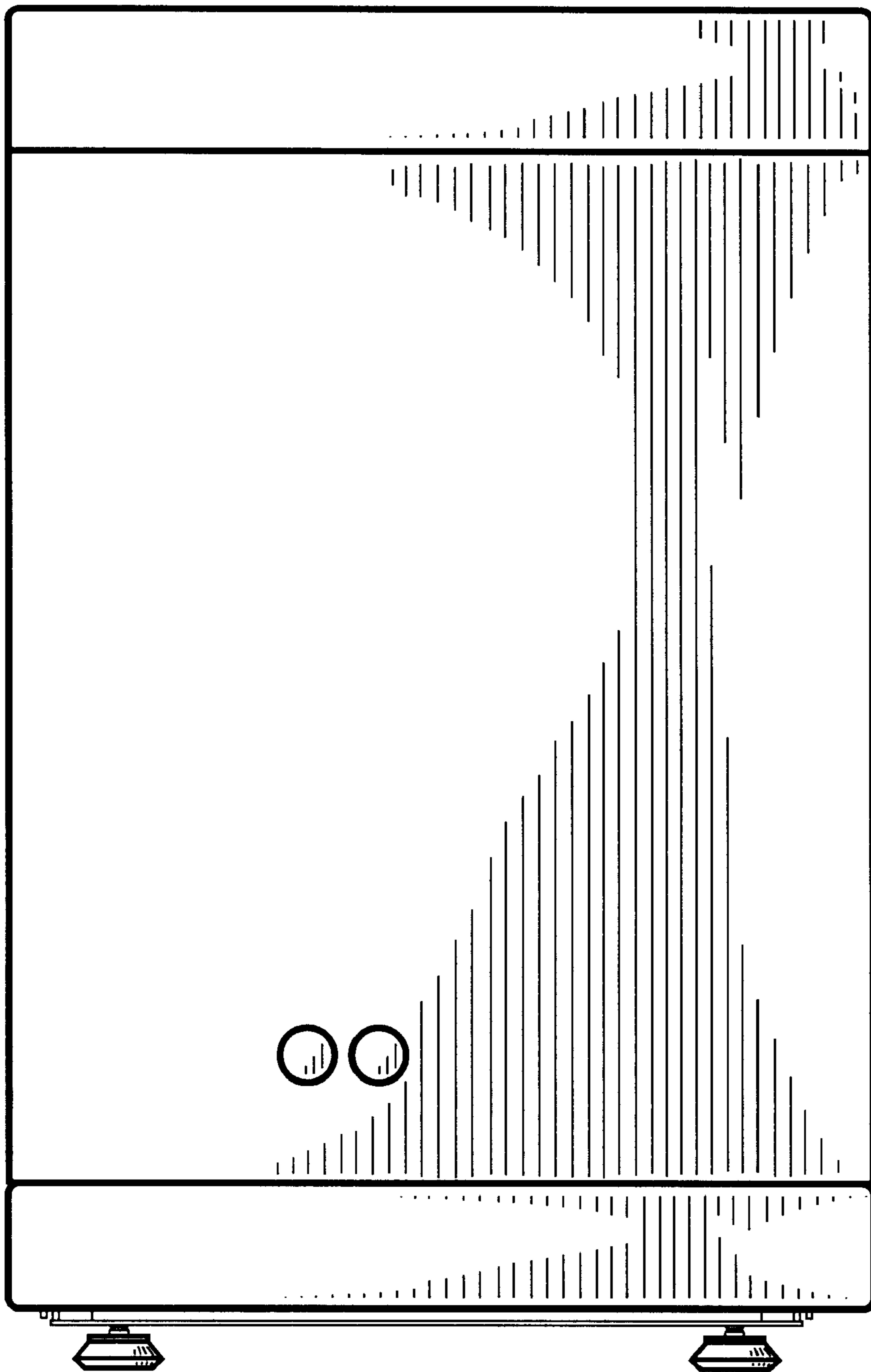




**Figure 1**



**Figure 2**



**Figure 3**

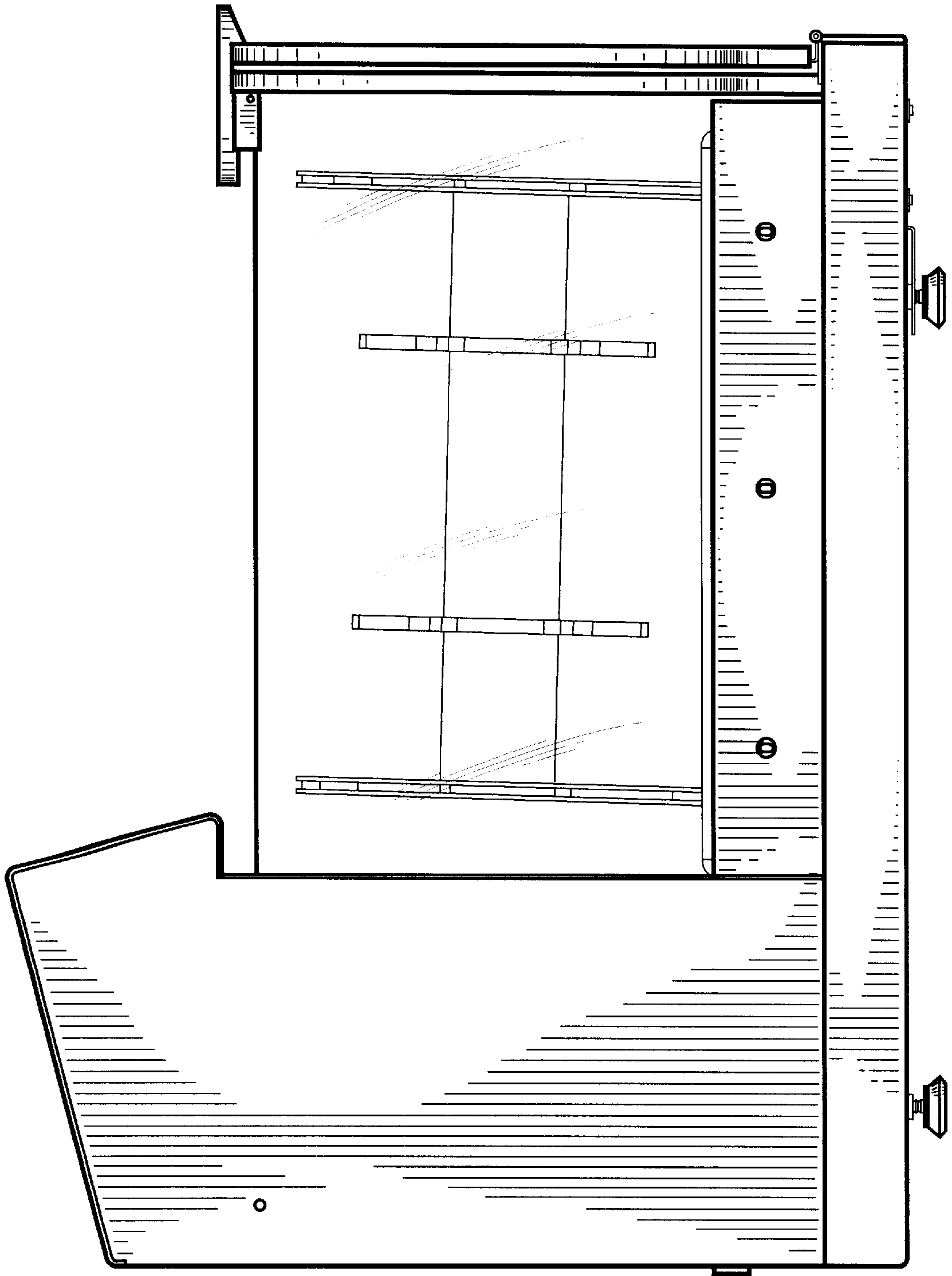


Figure 4

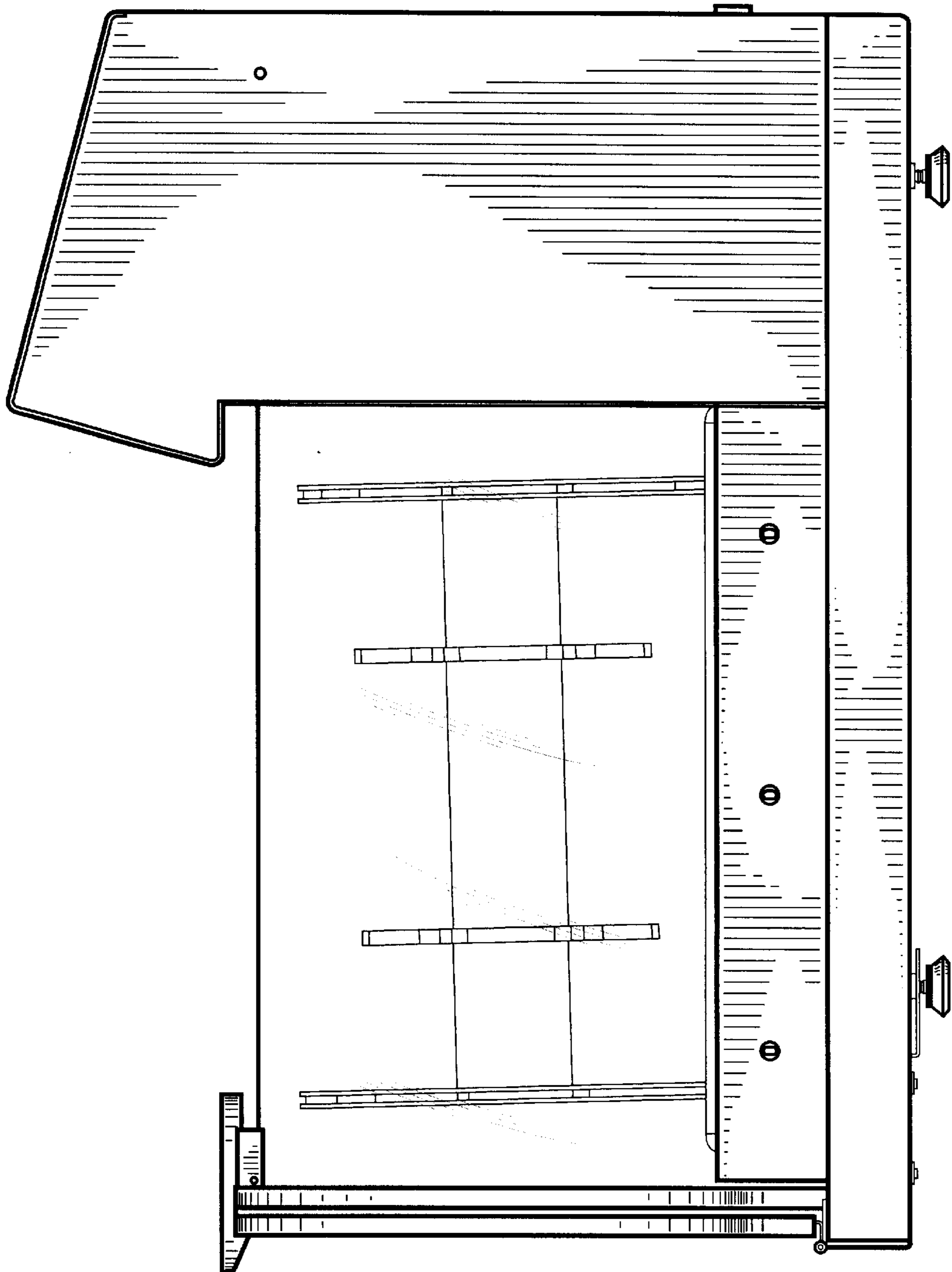


Figure 5

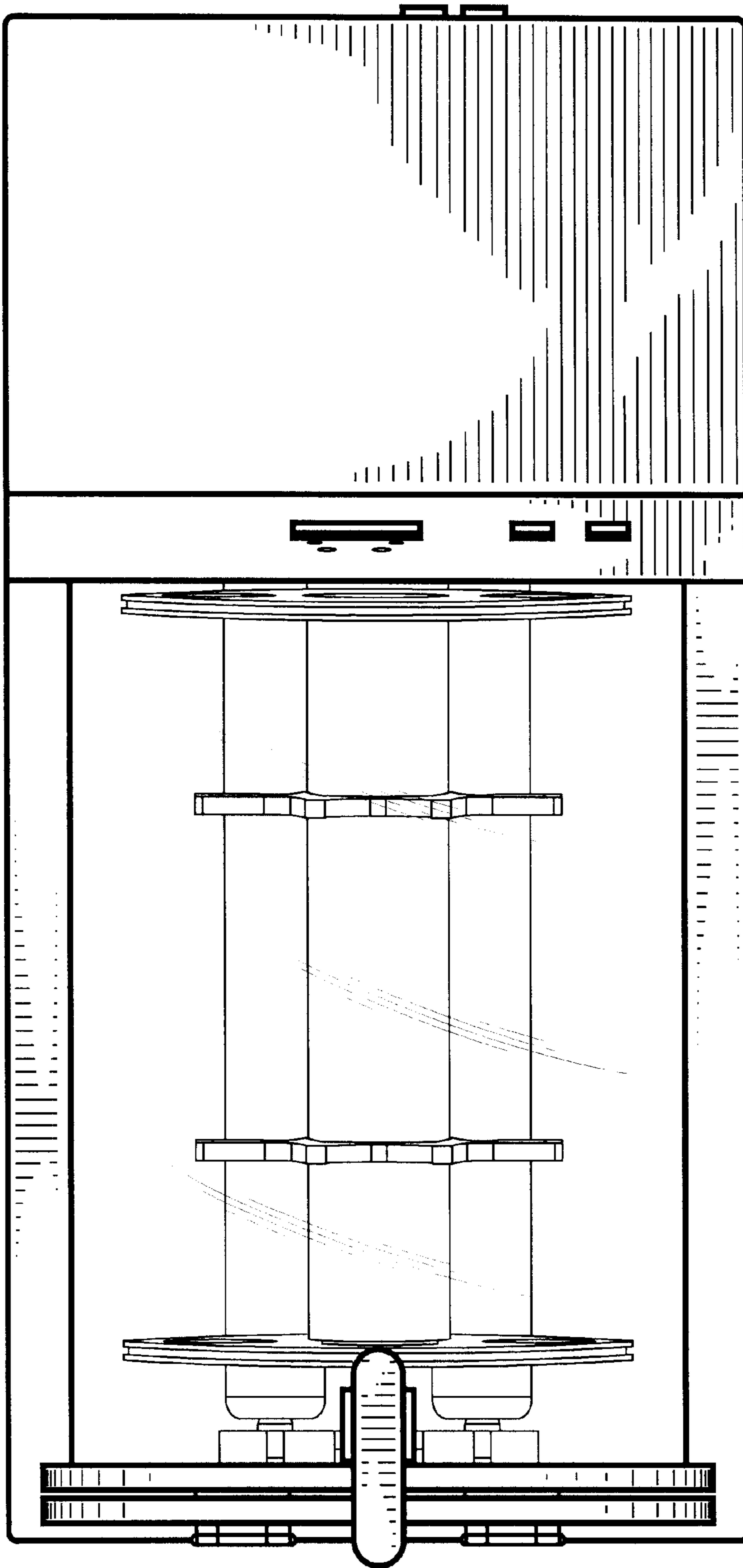


Figure 6