



US00D453377S

(12) **United States Design Patent**  
**Schöllhorn et al.**

(10) **Patent No.:** **US D453,377 S**

(45) **Date of Patent:** **\*\* Feb. 5, 2002**

(54) **RETRACTOR**

(75) Inventors: **Joachim Schöllhorn**, Freiburg; **Markus Salvermoser**, Tuttlingen, both of (DE)

(73) Assignee: **Karl Storz GmbH & Co. KG** (DE)

(\*\*) Term: **14 Years**

(21) Appl. No.: **29/135,519**

(22) Filed: **Jan. 11, 2001**

(30) **Foreign Application Priority Data**

Jul. 11, 2000 (DE) ..... 400 06 454

(51) **LOC (7) Cl.** ..... **24-02**

(52) **U.S. Cl.** ..... **D24/135**

(58) **Field of Search** ..... D24/135, 133;  
600/215, 201, 217, 233, 204, 205, 235,  
230, 231, 229

(56) **References Cited**

**U.S. PATENT DOCUMENTS**

5,902,233 A \* 5/1999 Farley et al. .... 600/213

D420,130 S \* 2/2000 Nicholas et al. .... D24/135  
6,139,492 A \* 10/2000 Vierra et al. .... 600/204  
D443,359 S \* 6/2001 Nathanson et al. .... D24/135

\* cited by examiner

*Primary Examiner*—Ian Simmons

(74) *Attorney, Agent, or Firm*—St. Onge Steward Johnston & Reens LLC

(57) **CLAIM**

The ornamental design for a retractor, as shown and described.

**DESCRIPTION**

FIG. 1 is a front perspective view of a retractor in accordance with the invention;

FIG. 2 is a rear perspective view thereof;

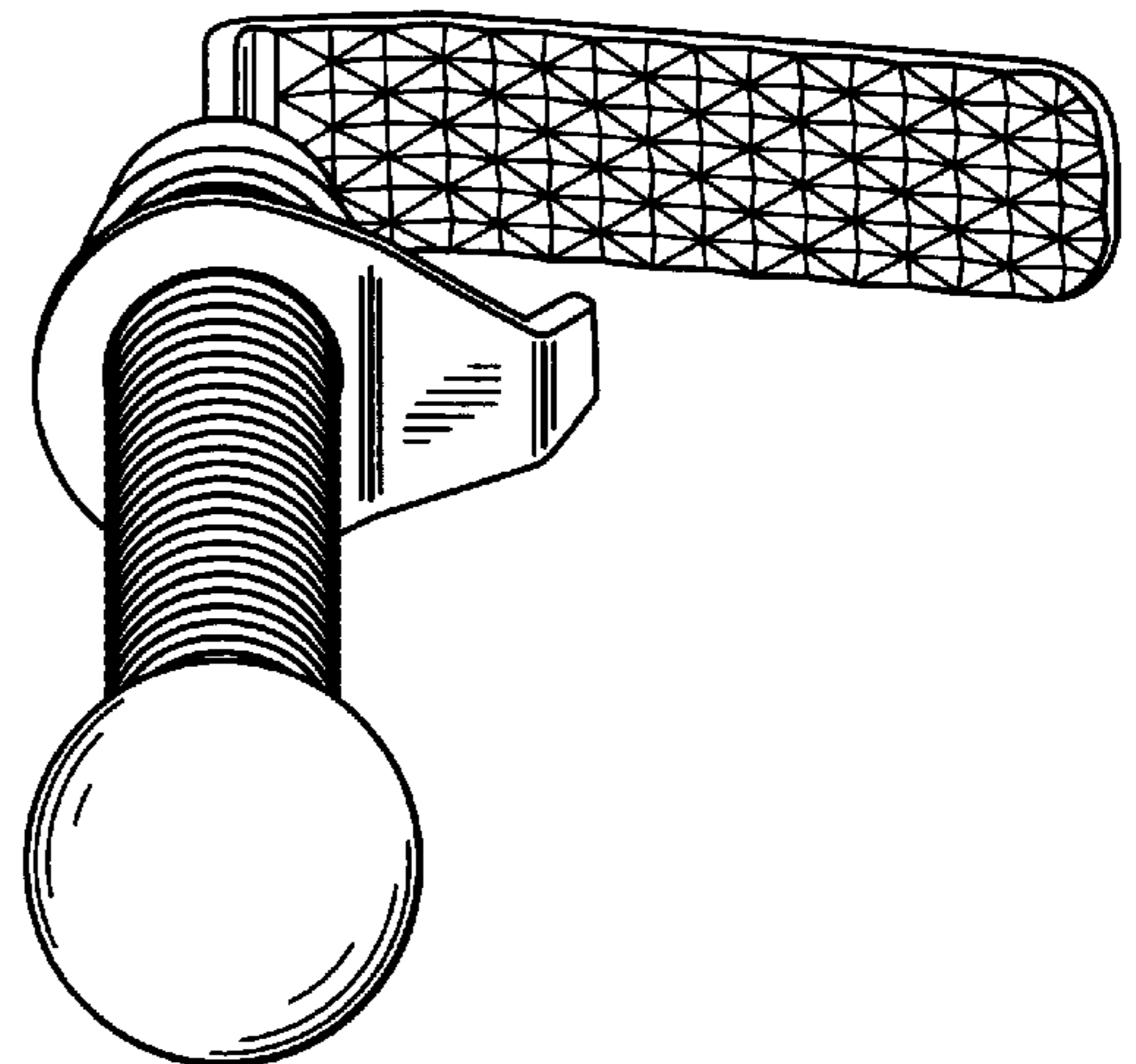
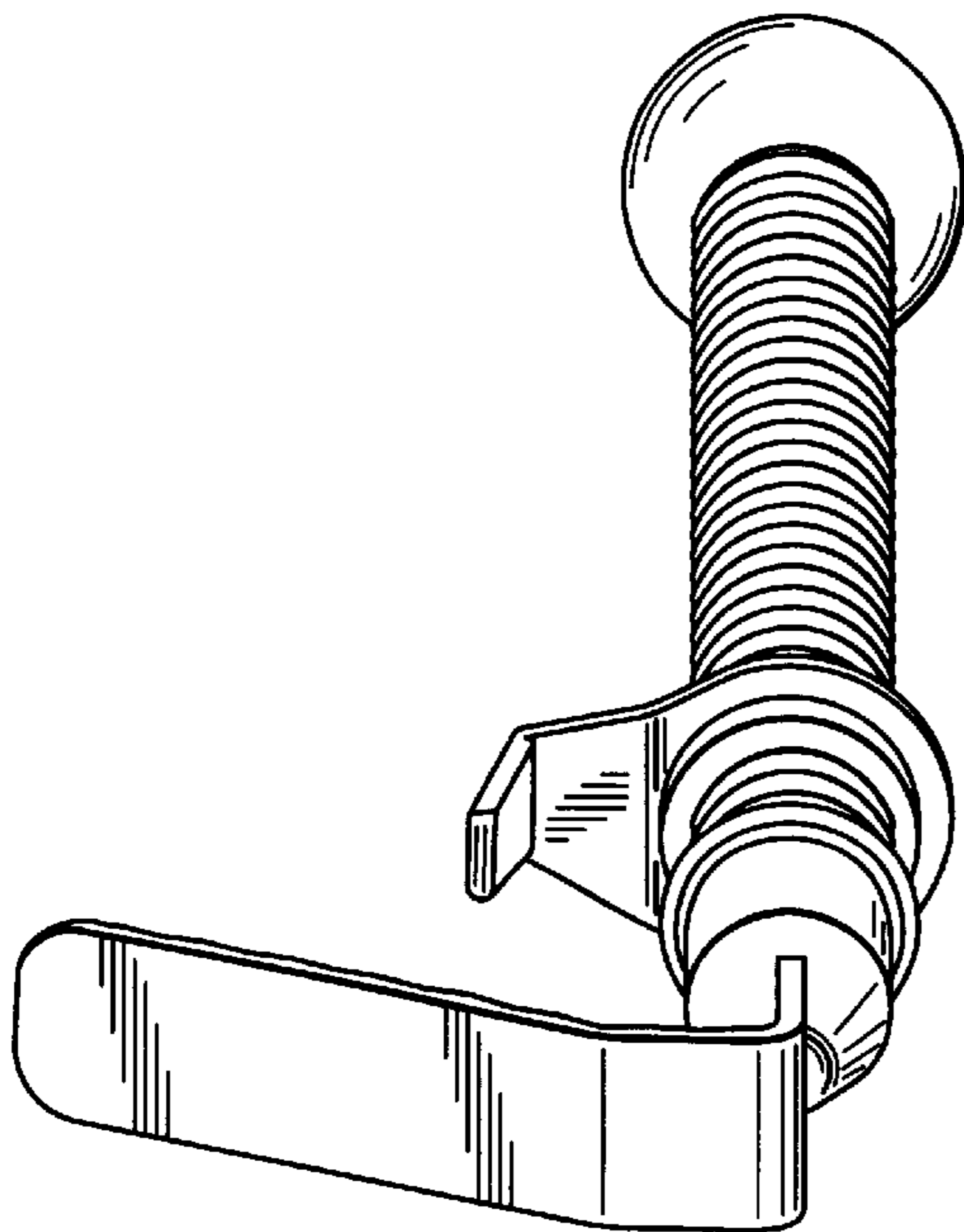
FIG. 3 is a top plan view thereof;

FIG. 4 is a bottom plan view thereof;

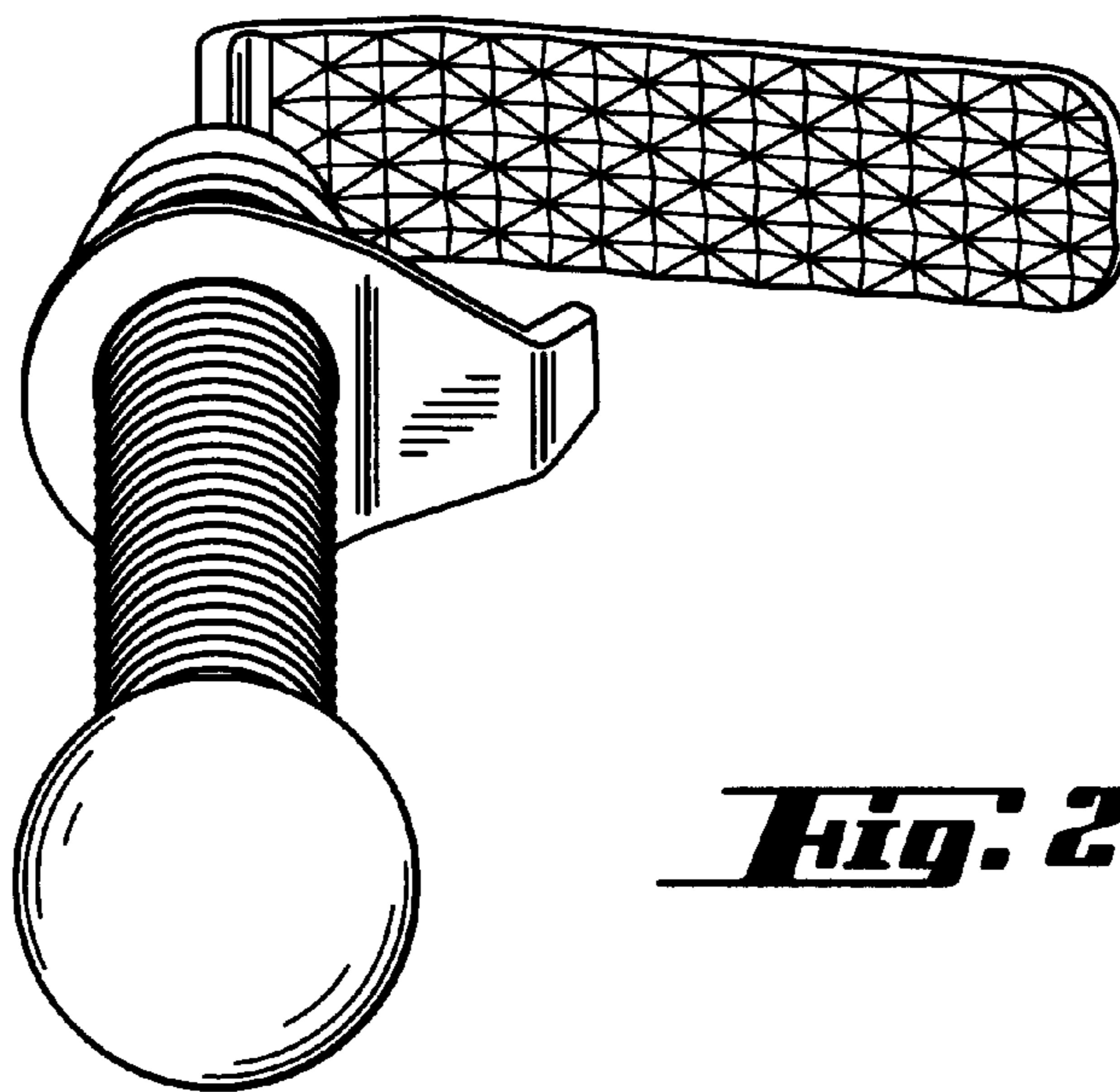
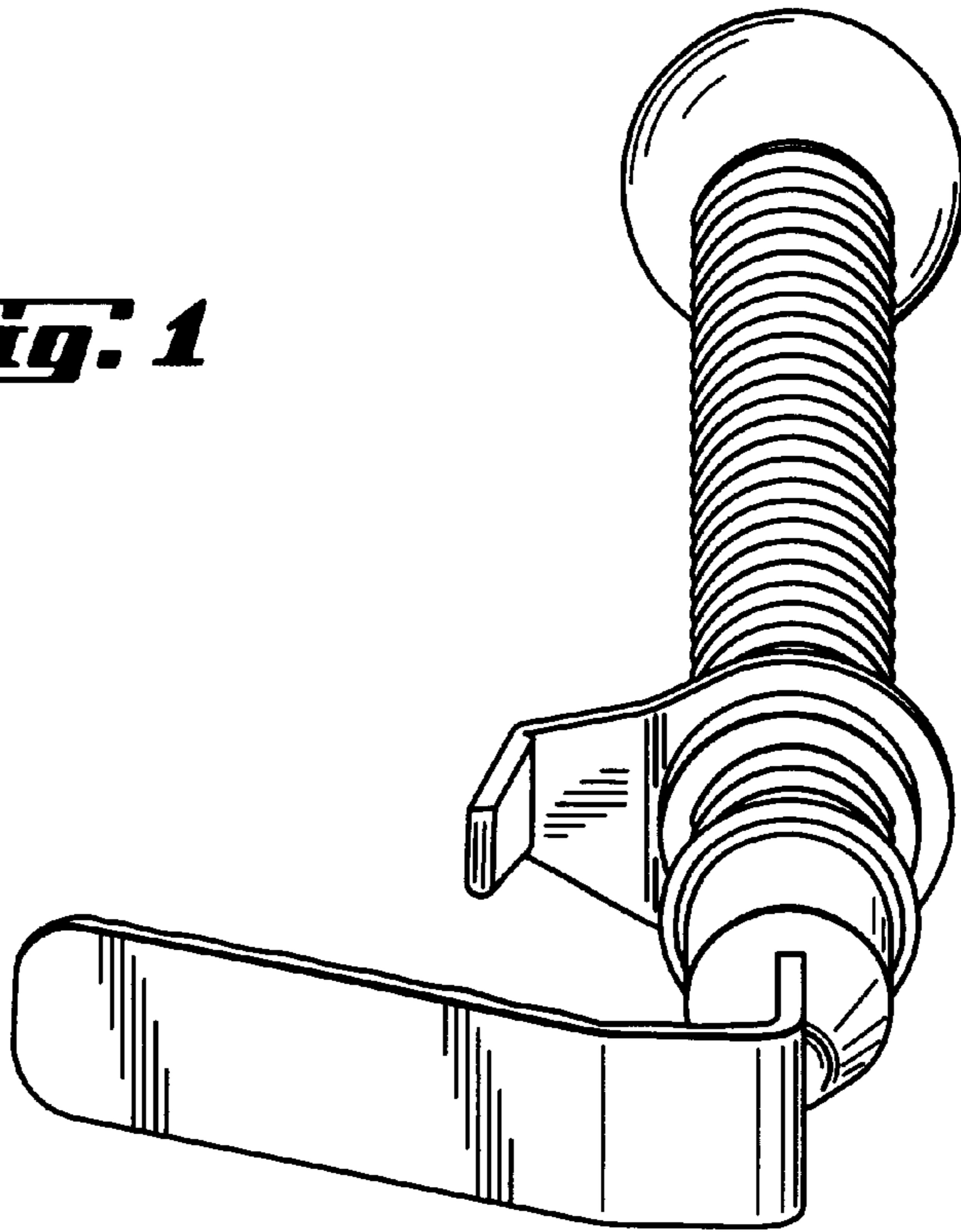
FIG. 5 is a right elevation view thereof; and,

FIG. 6 is a left elevation view thereof.

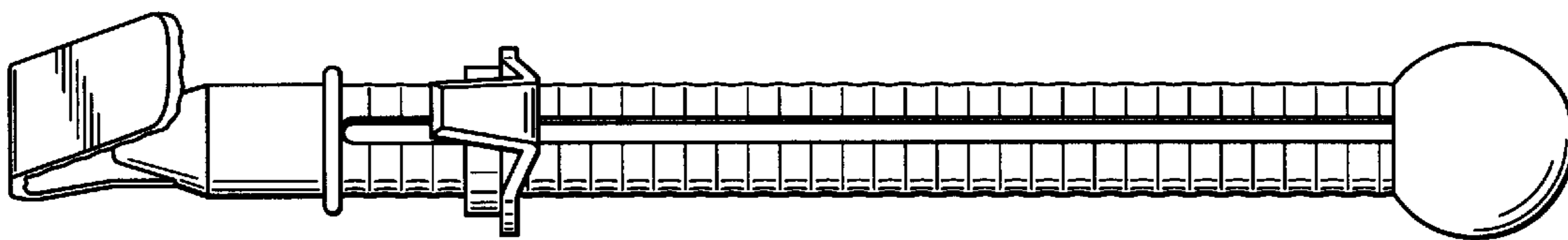
**1 Claim, 2 Drawing Sheets**



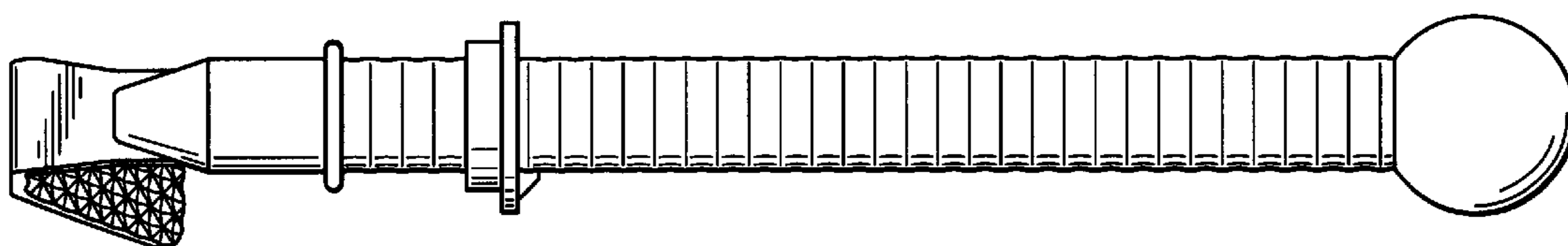
***Fig. 1***



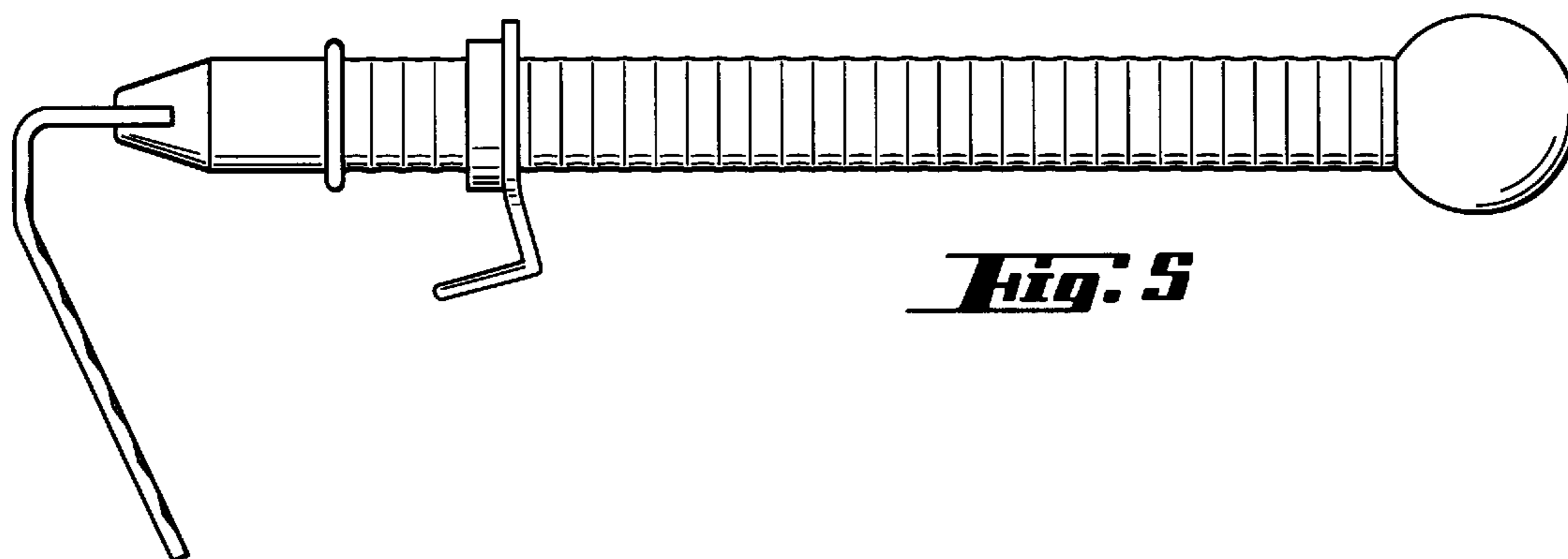
***Fig. 2***



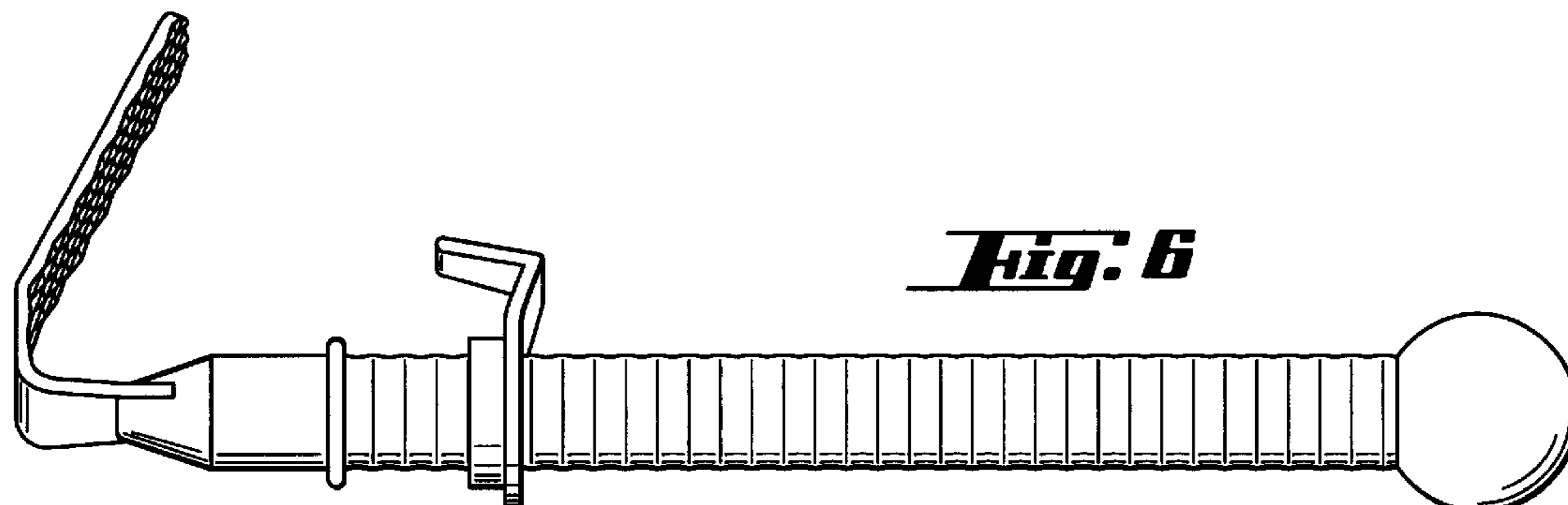
***Fig. 3***



***Fig. 4***



***Fig. 5***



***Fig. 6***