



US00D453372S

(12) **United States Design Patent**
Pecoskie

(10) **Patent No.:** **US D453,372 S**

(45) **Date of Patent:** **** Feb. 5, 2002**

(54) **PORTABLE STOVE FOR USE WITH A
CONTAINER CONTAINING FUEL**

(76) **Inventor:** **Phil Pecoskie**, 1643 Hillside Drive,
London, Ontario (CA), N6G 2N3

(**) **Term:** **14 Years**

(21) **Appl. No.:** **29/112,051**

(22) **Filed:** **Oct. 7, 1999**

(51) **LOC (7) Cl.** **23-03**

(52) **U.S. Cl.** **D23/332; D7/332; D7/416;
D23/343**

(58) **Field of Search** **D23/332, 343,
D23/348; D7/416, 417, 332, 337, 408;
126/25 R, 25 B, 29, 59, 65, 152 R, 212,
214 C**

(56) **References Cited**

U.S. PATENT DOCUMENTS

- 936,482 A * 10/1909 Seeley
- 1,221,514 A * 4/1917 Crain
- 3,416,510 A * 12/1968 Paulson
- 3,903,866 A * 9/1975 Polinski 126/25 B
- 4,282,854 A * 8/1981 Byars 126/29

- 4,461,270 A * 7/1984 Sutter 126/25 B
- D329,162 S * 9/1992 Dutro et al. D7/332
- 5,269,286 A * 12/1993 Cowan 126/25 B
- D390,935 S * 2/1998 Bosje et al. D7/332
- D397,428 S * 8/1998 Reitsma et al. D23/332

* cited by examiner

Primary Examiner—B. J. Bullock

(74) *Attorney, Agent, or Firm*—Eric Fincham

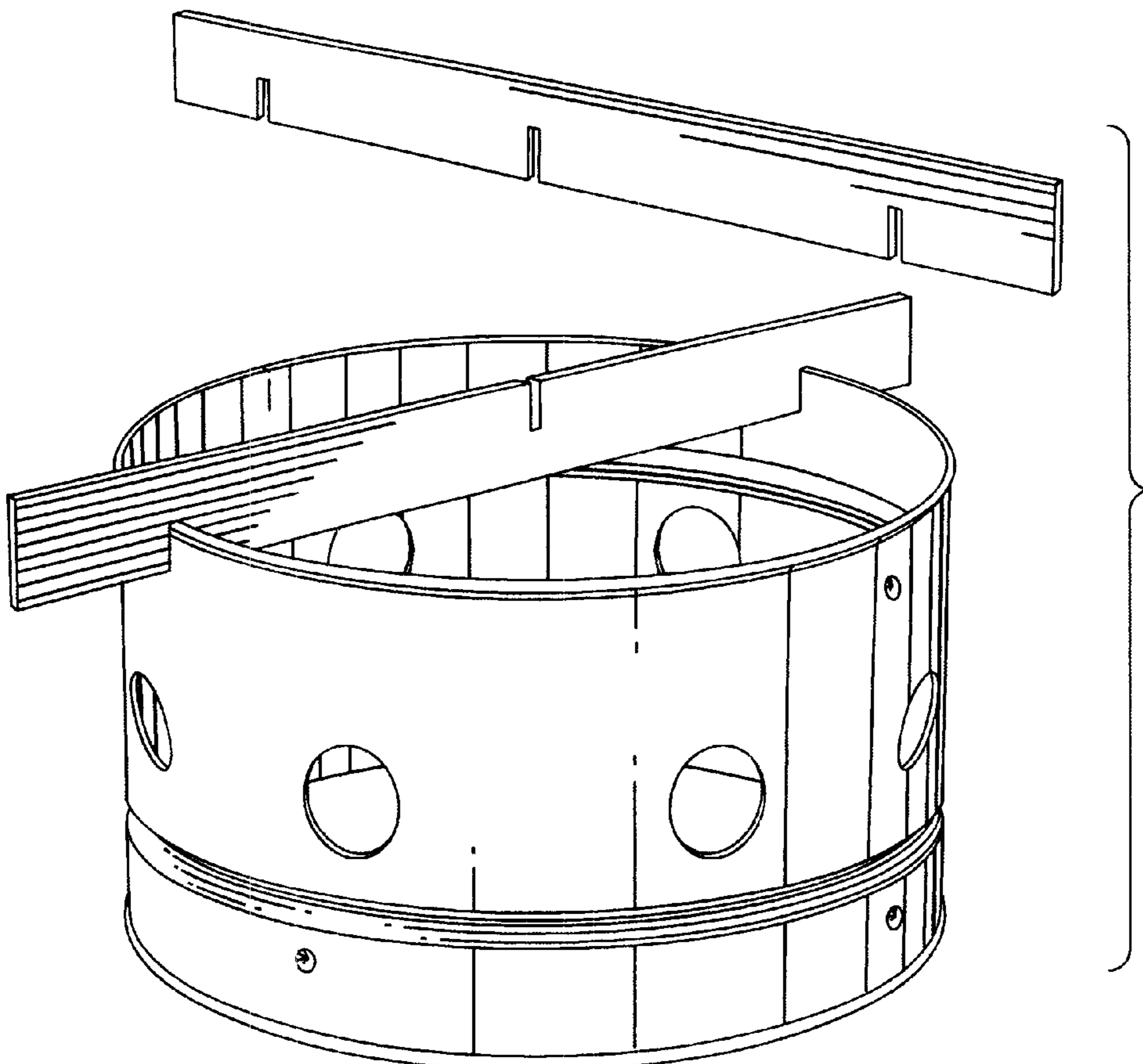
(57) **CLAIM**

The ornamental design for a portable stove for use with a container containing fuel, as shown and described.

DESCRIPTION

FIG. 1 is a perspective view of the portable stove showing the stove and placement of support racks thereof;
 FIG. 2 is a front elevational view thereof;
 FIG. 3 is a side elevational view as seen from the left hand side of FIG. 2 with the view from the right hand side being a mirror image thereof;
 FIG. 4 is a rear elevational view thereof;
 FIG. 5 is a top plan view thereof; and,
 FIG. 6 is a bottom plan view thereof.
 FIGS. 2–6 are shown on a reduced scale.

1 Claim, 3 Drawing Sheets



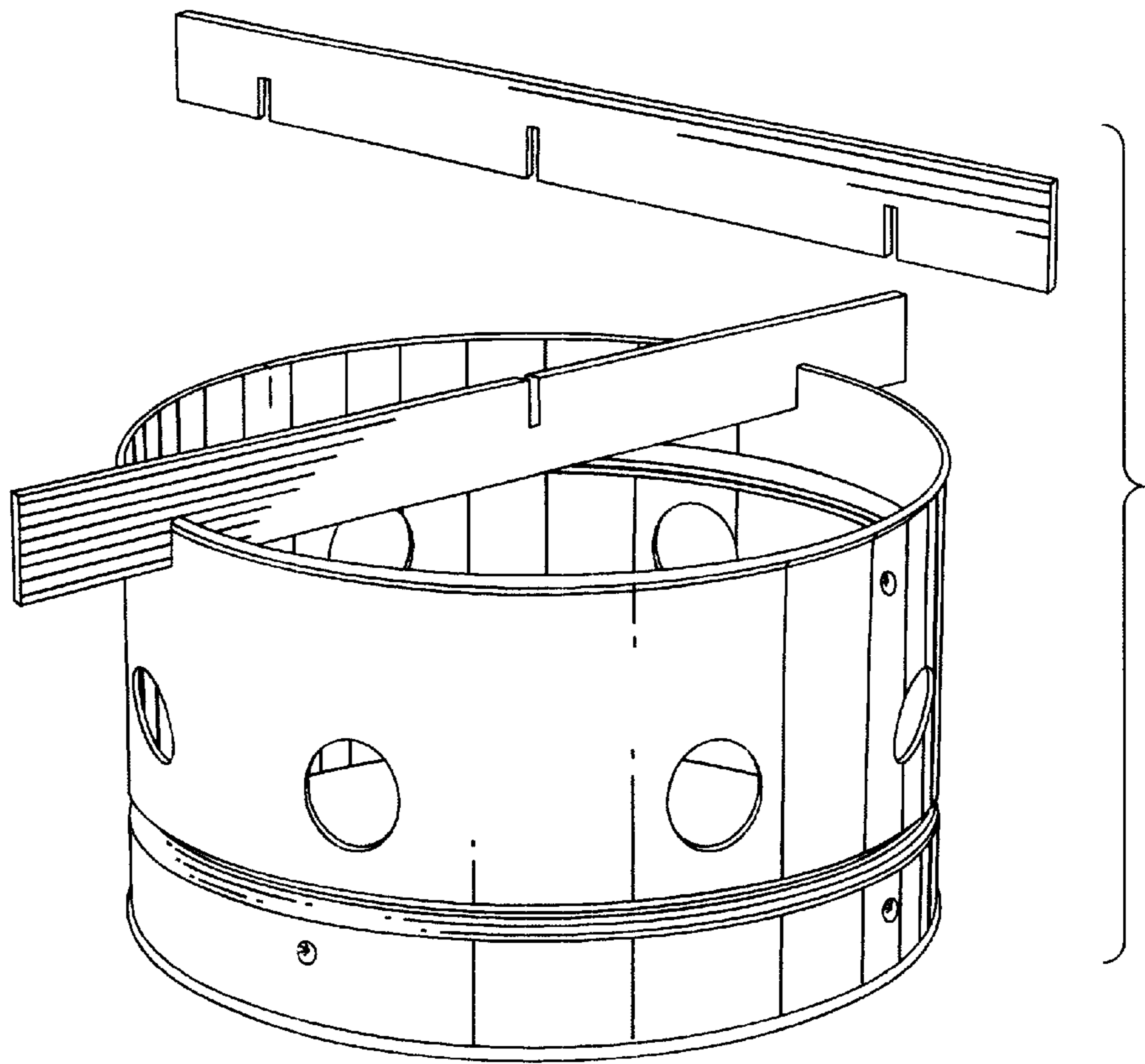


Fig- 1

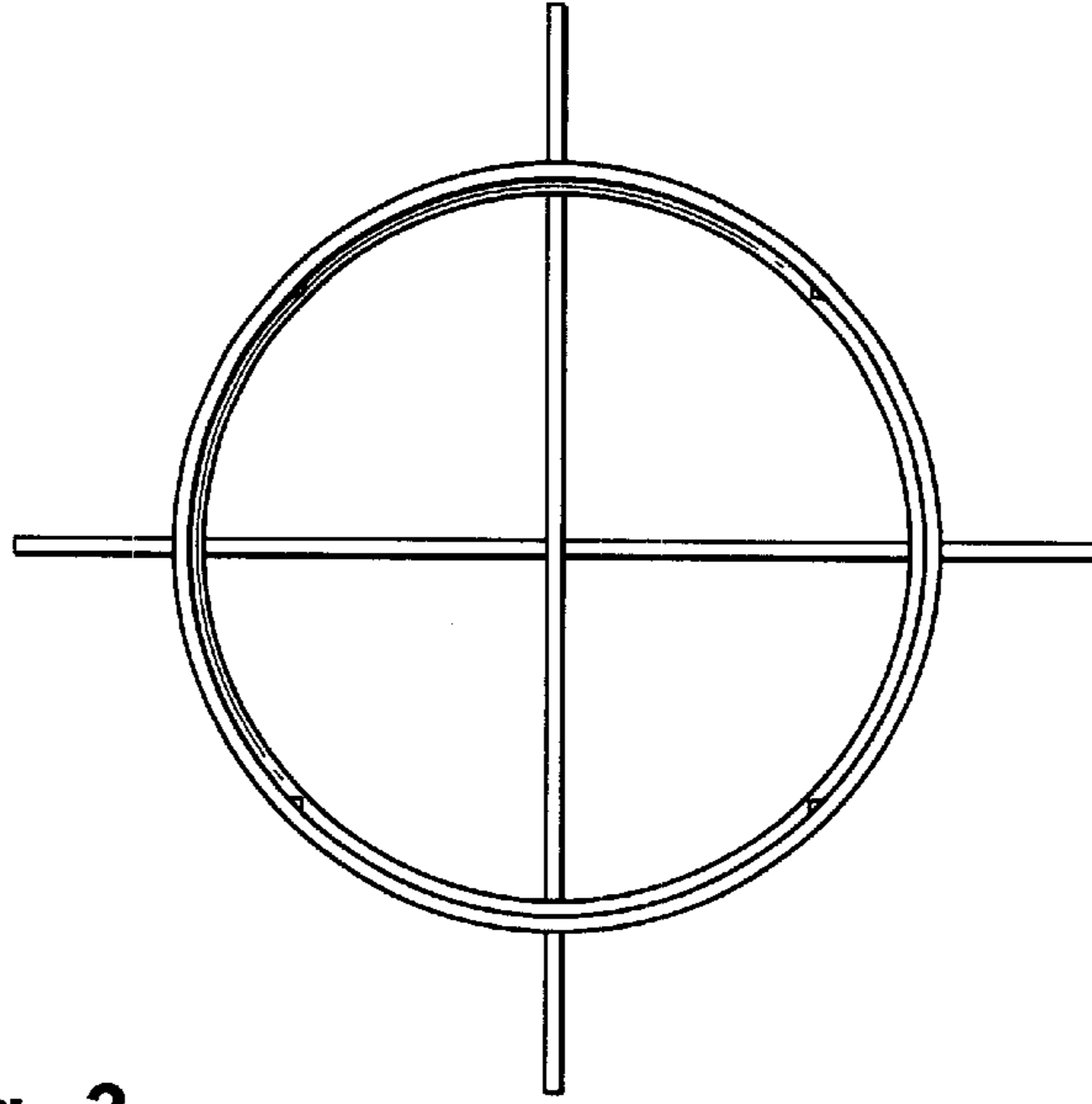


Fig- 3

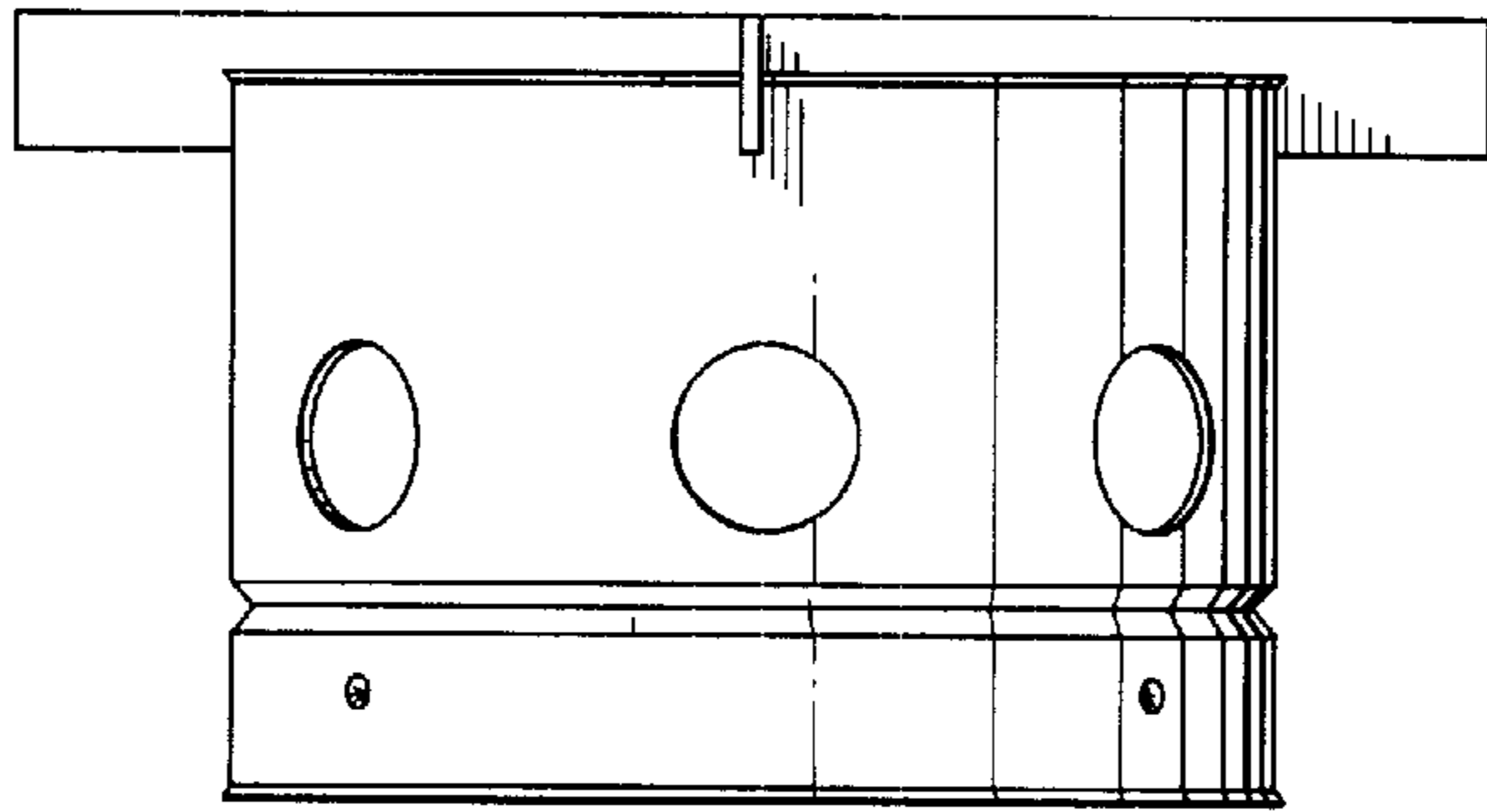


Fig- 2

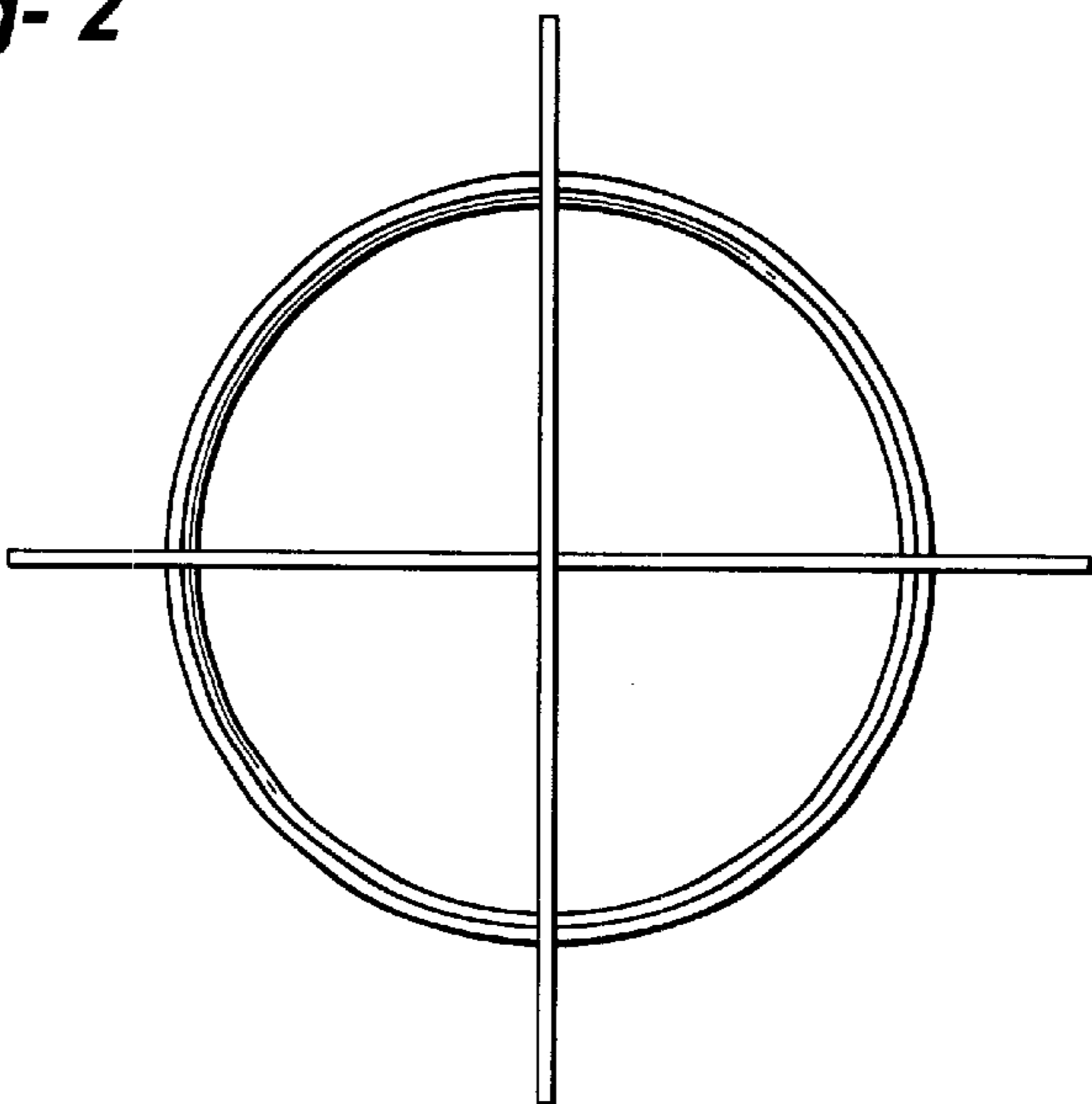


Fig- 4

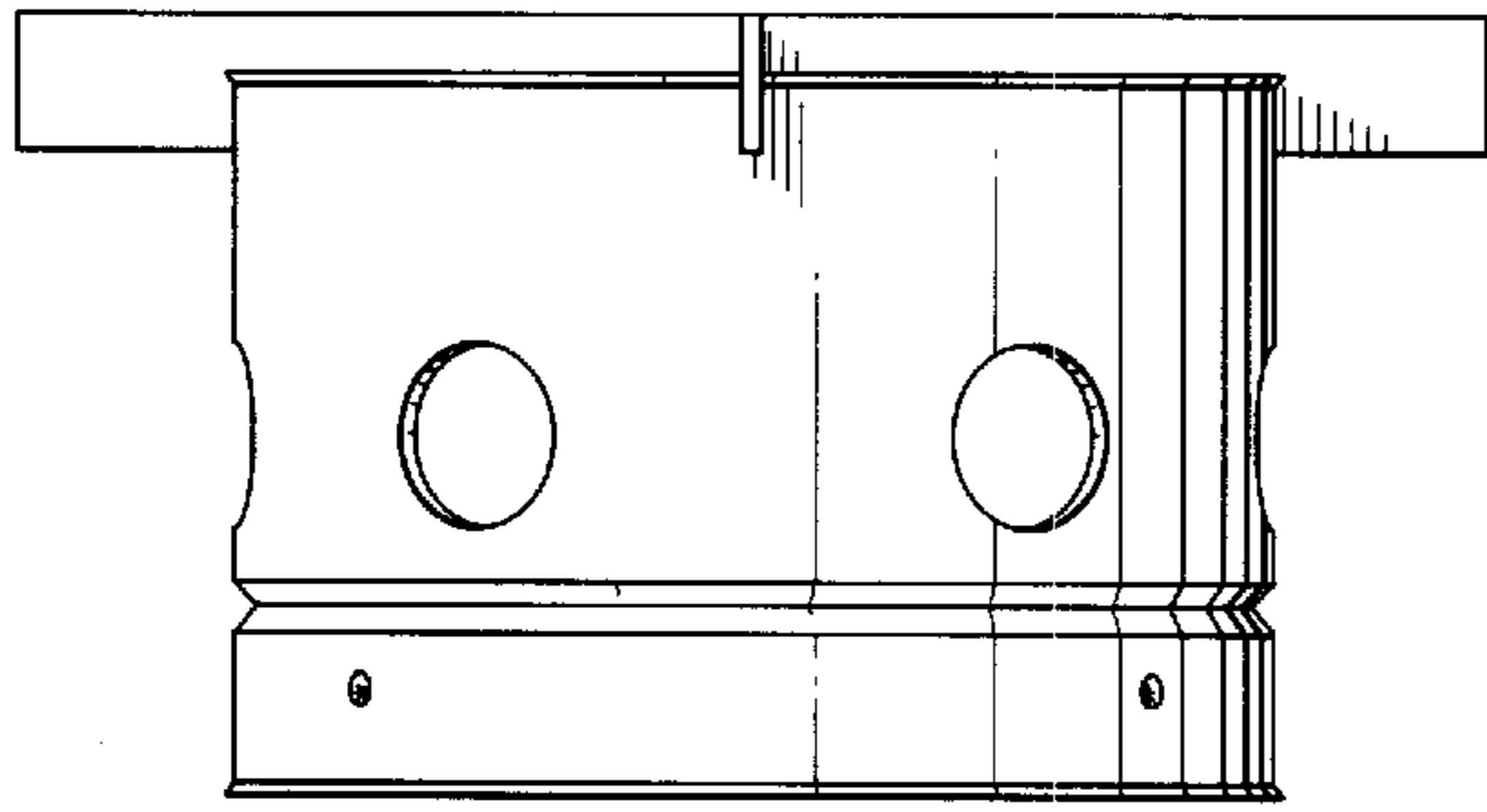


Fig- 5

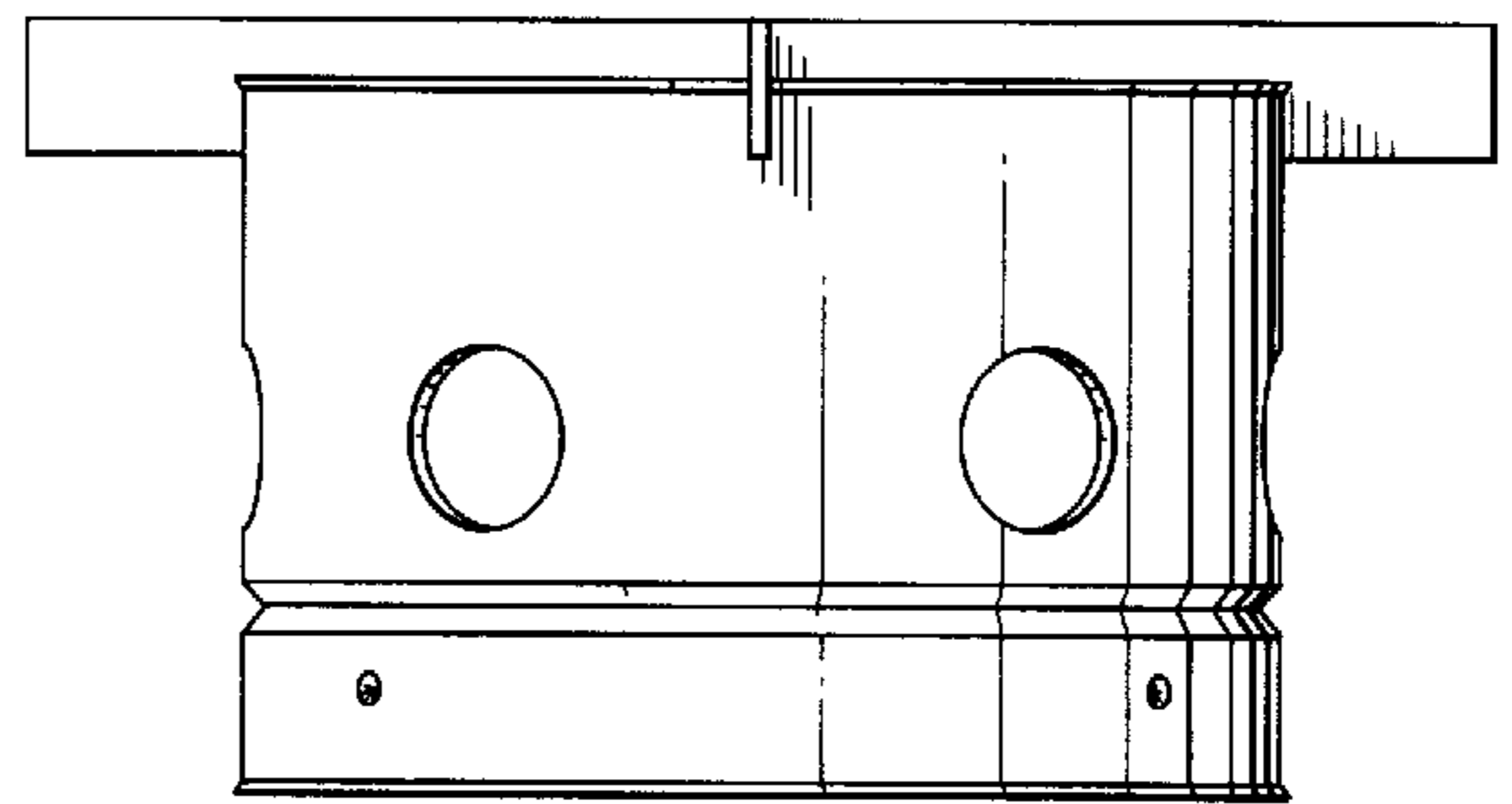


Fig- 6