



US00D453371S

(12) **United States Design Patent**
Wang

(10) **Patent No.:** **US D453,371 S**

(45) **Date of Patent:** **** Feb. 5, 2002**

(54) **SPRAY GUN**

(75) **Inventor:** **Gary Wang, Ontario, CA (US)**

(73) **Assignee:** **Aquastar Industries, Inc., Ontario, CA (US)**

(**) **Term:** **14 Years**

(21) **Appl. No.:** **29/138,289**

(22) **Filed:** **Mar. 12, 2001**

(51) **LOC (7) Cl. 23-01**

(52) **U.S. Cl. D23/226**

(58) **Field of Search D23/213, 223, D23/226; 239/525, 526, 527**

(56) **References Cited**

U.S. PATENT DOCUMENTS

- D355,953 S * 2/1995 Wang D23/223
- D369,853 S * 5/1996 Wang D23/223
- D408,496 S * 4/1999 Wang D23/226

- D431,070 S * 9/2000 Hsieh D23/226
- D431,280 S * 9/2000 Kuo D23/226
- D446,283 S * 8/2001 Wang D23/226

* cited by examiner

Primary Examiner—Robin V. Taylor

(74) *Attorney, Agent, or Firm*—Troxell Law Office PLLC

(57) **CLAIM**

The ornamental design for spray gun, as shown and described.

DESCRIPTION

FIG. 1 is a perspective view of spray gun showing my new design;

FIG. 2 is a front view thereof;

FIG. 3 is a rear view thereof;

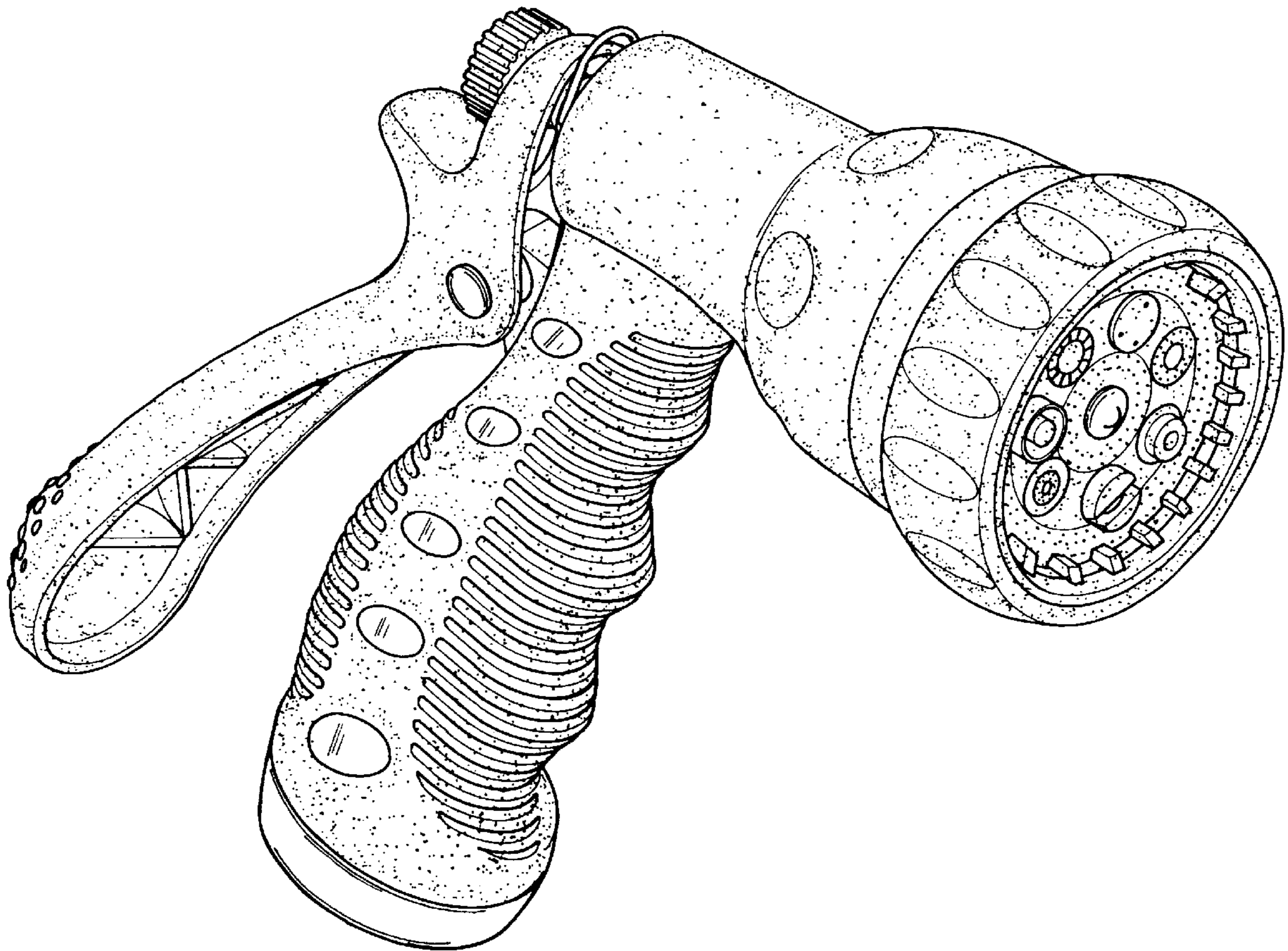
FIG. 4 is a left side view thereof;

FIG. 5 is a right side view thereof

FIG. 6 is a top view thereof; and,

FIG. 7 is a bottom view thereof.

1 Claim, 6 Drawing Sheets



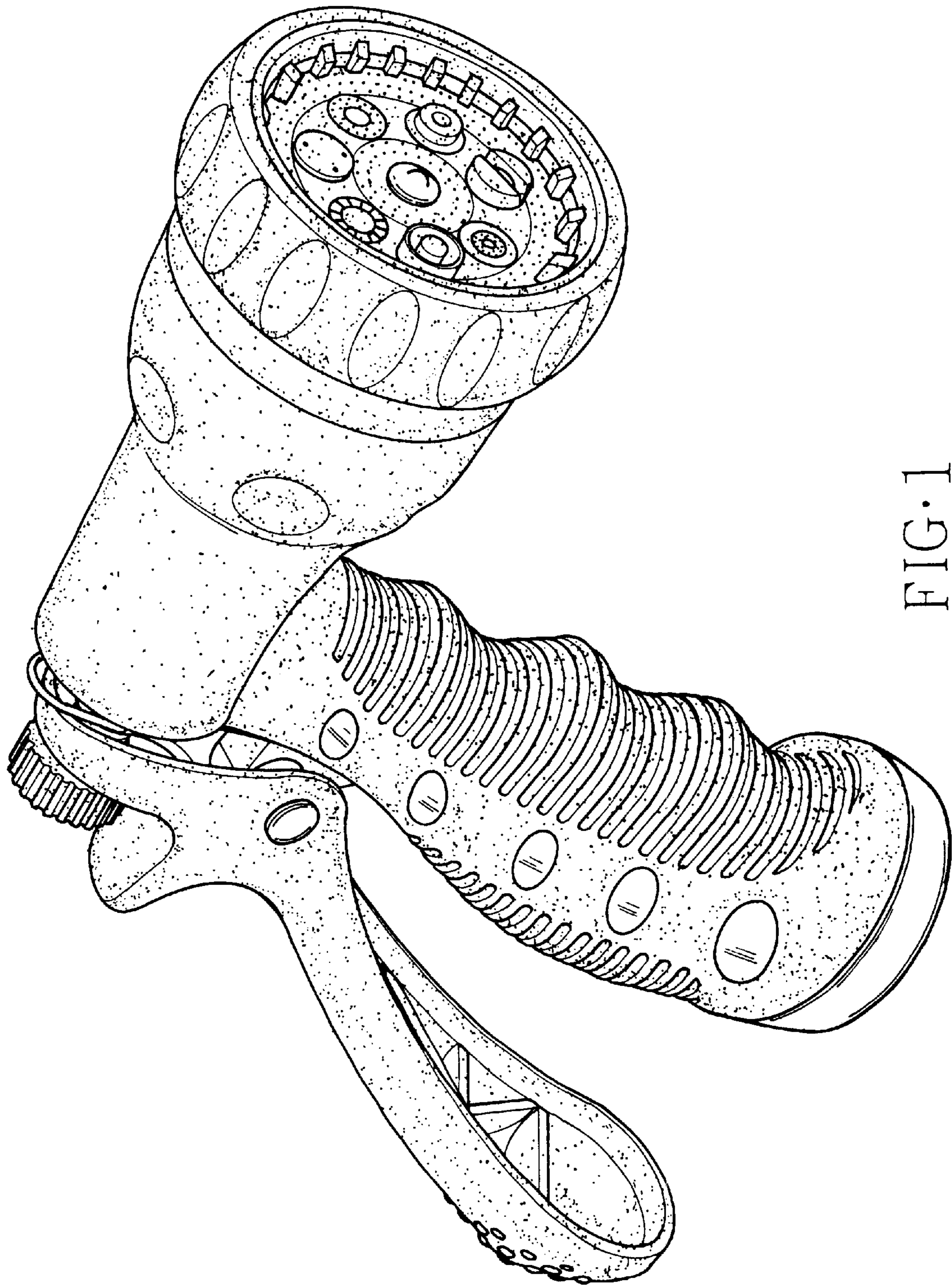


FIG. 1

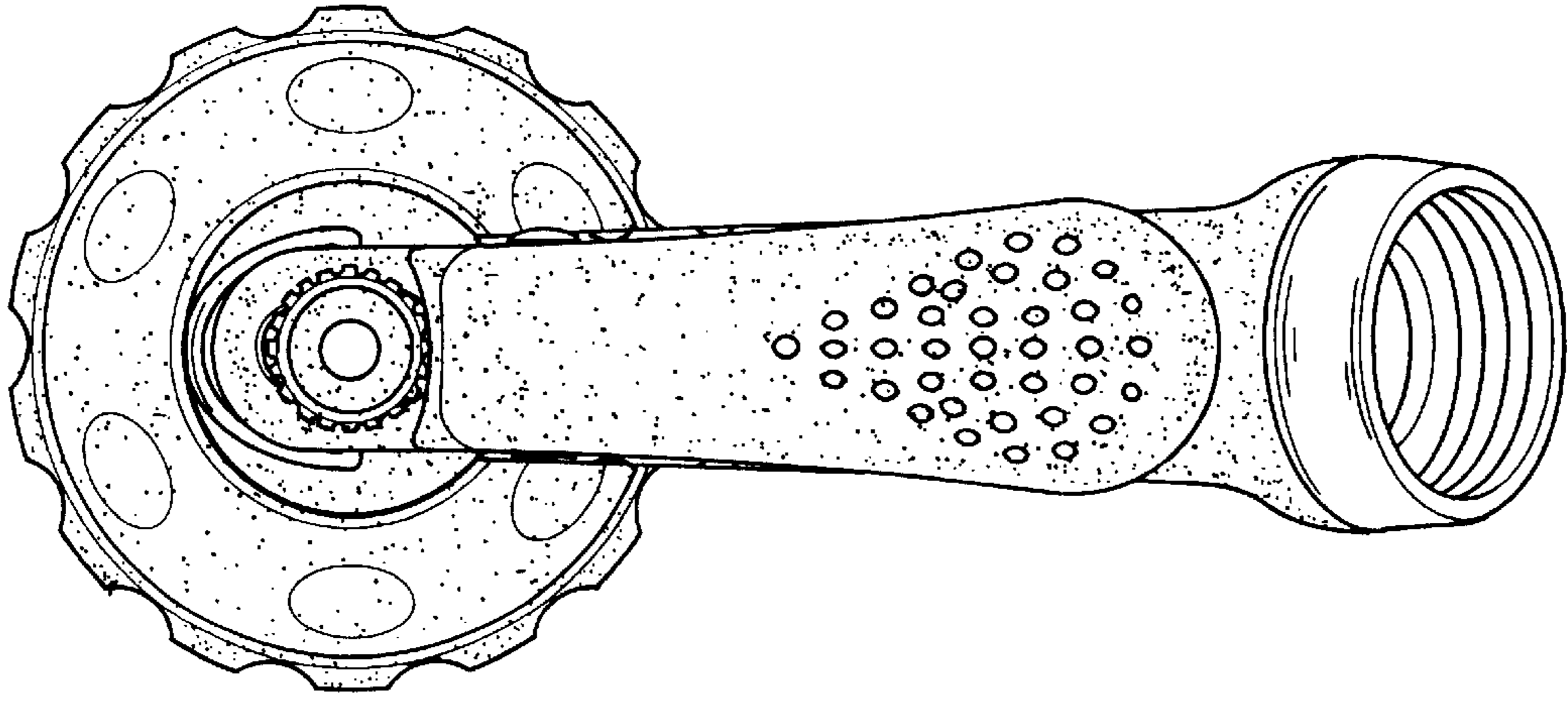


FIG. 3

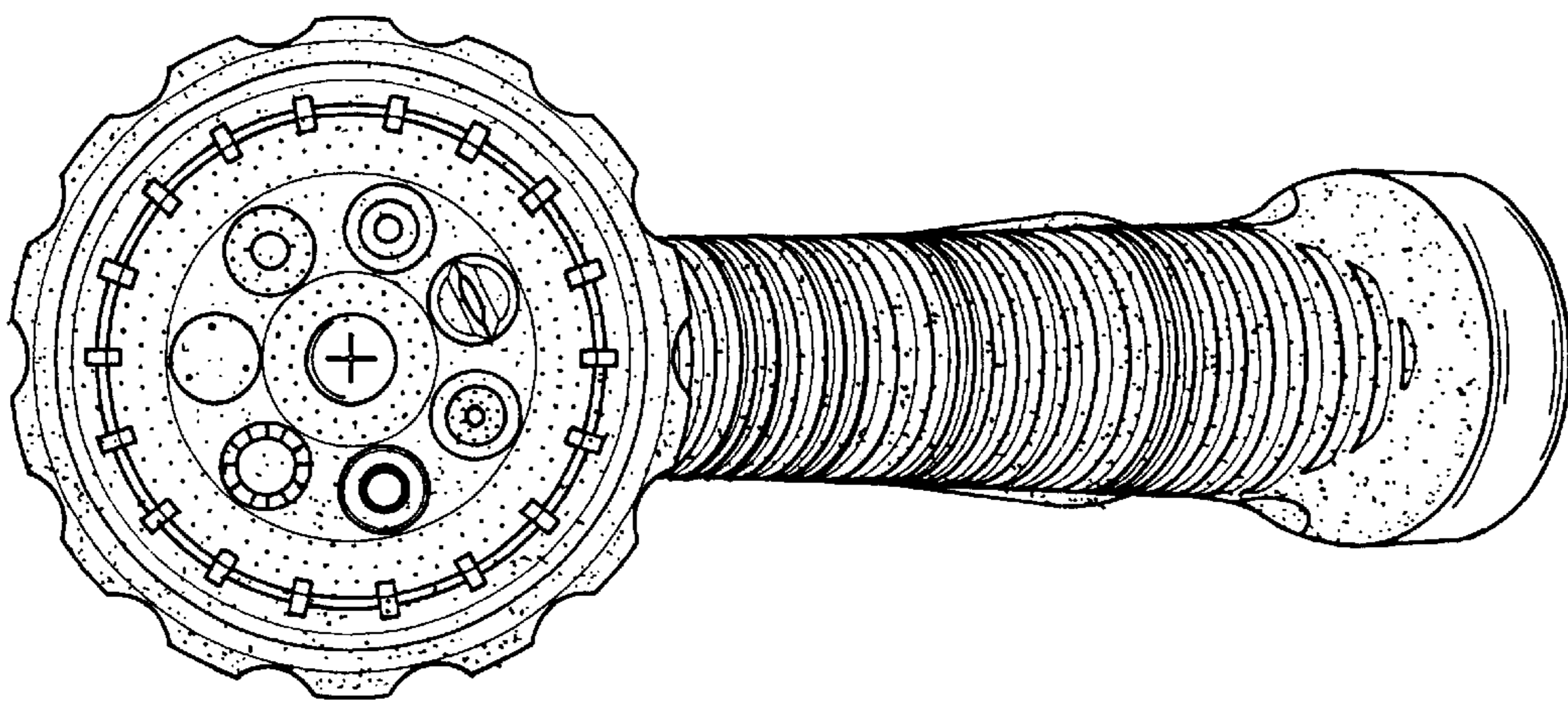


FIG. 2

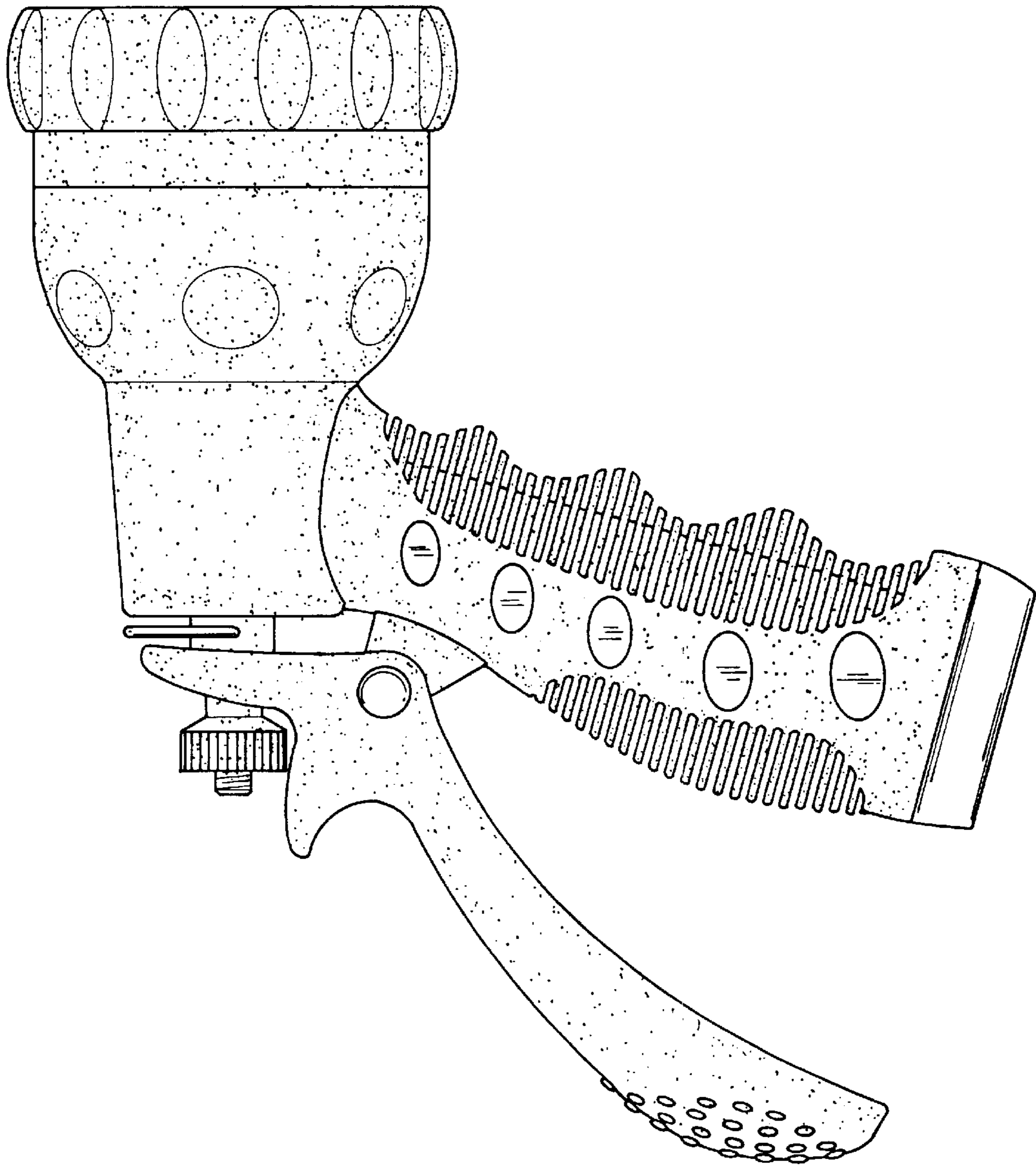


FIG. 4

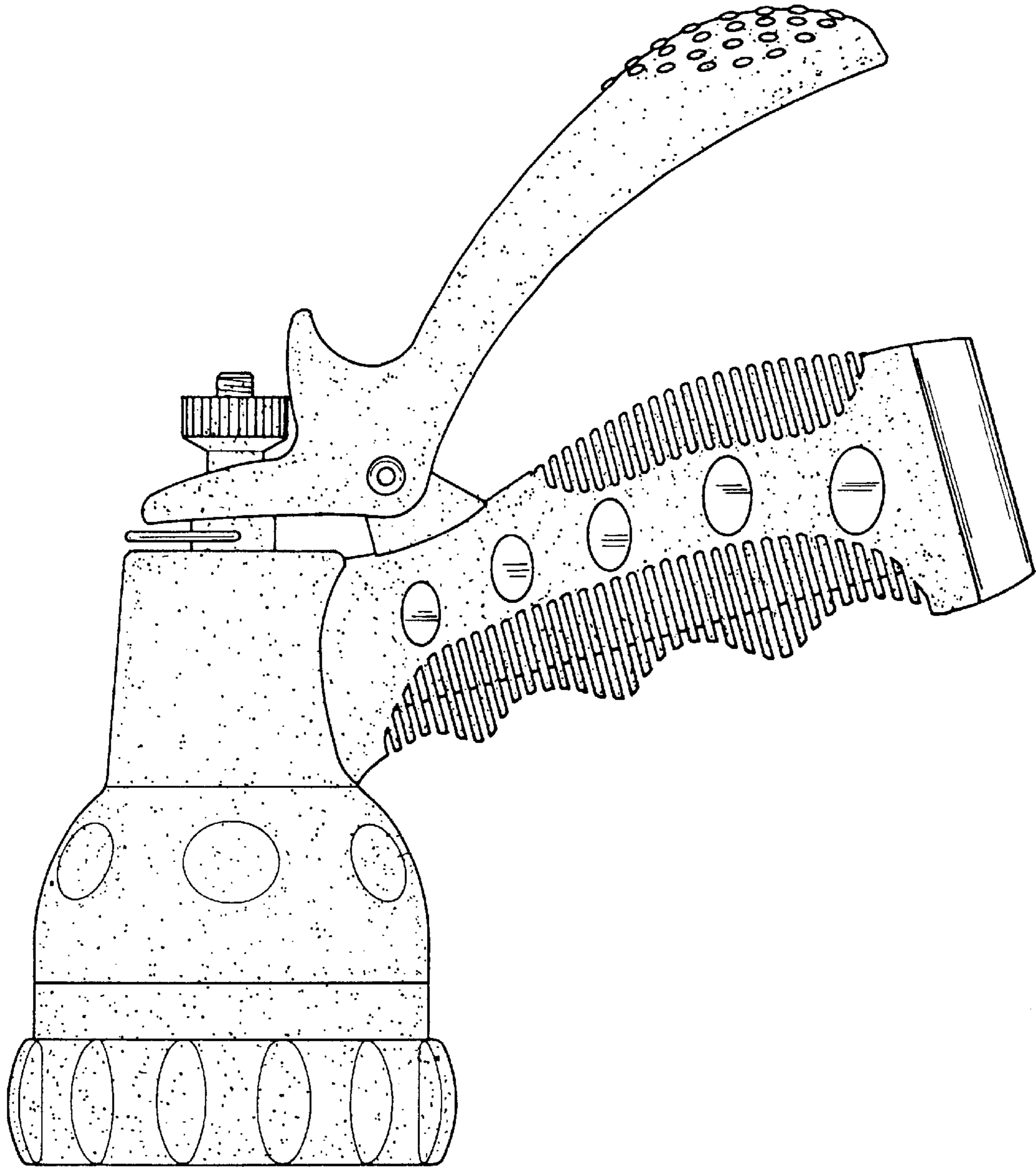


FIG. 5

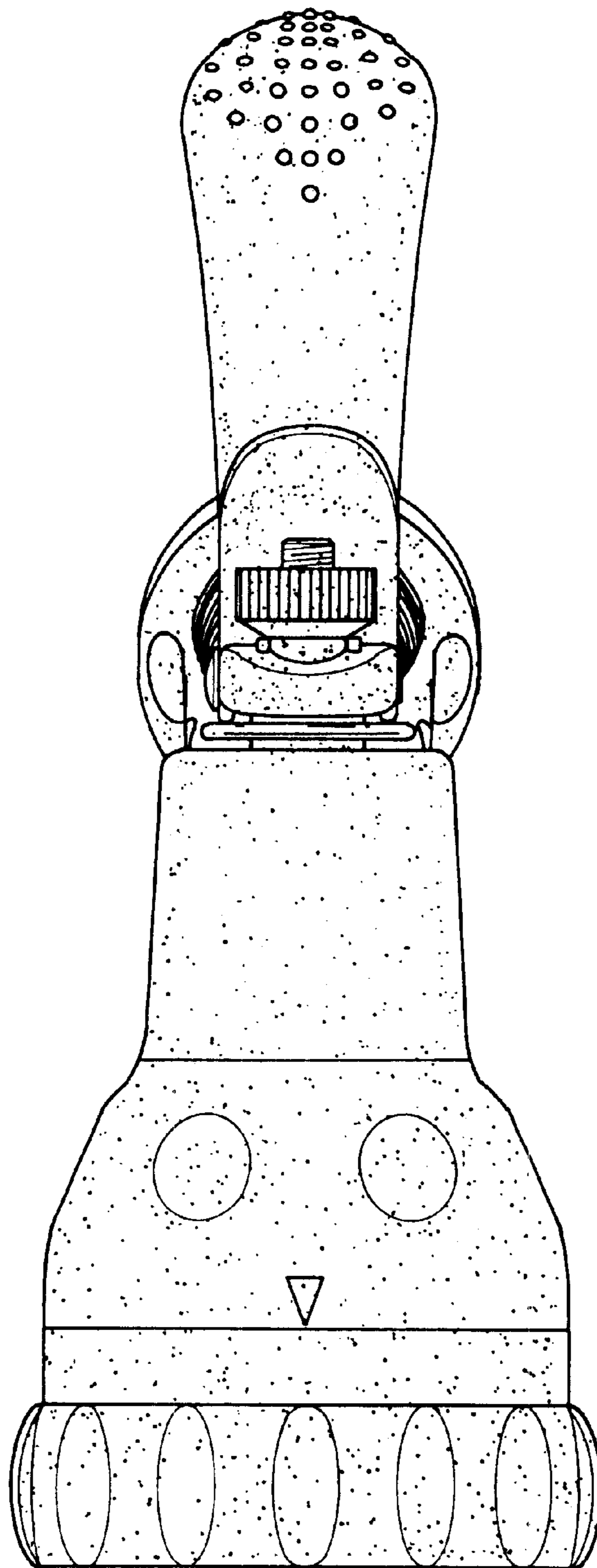


FIG. 6

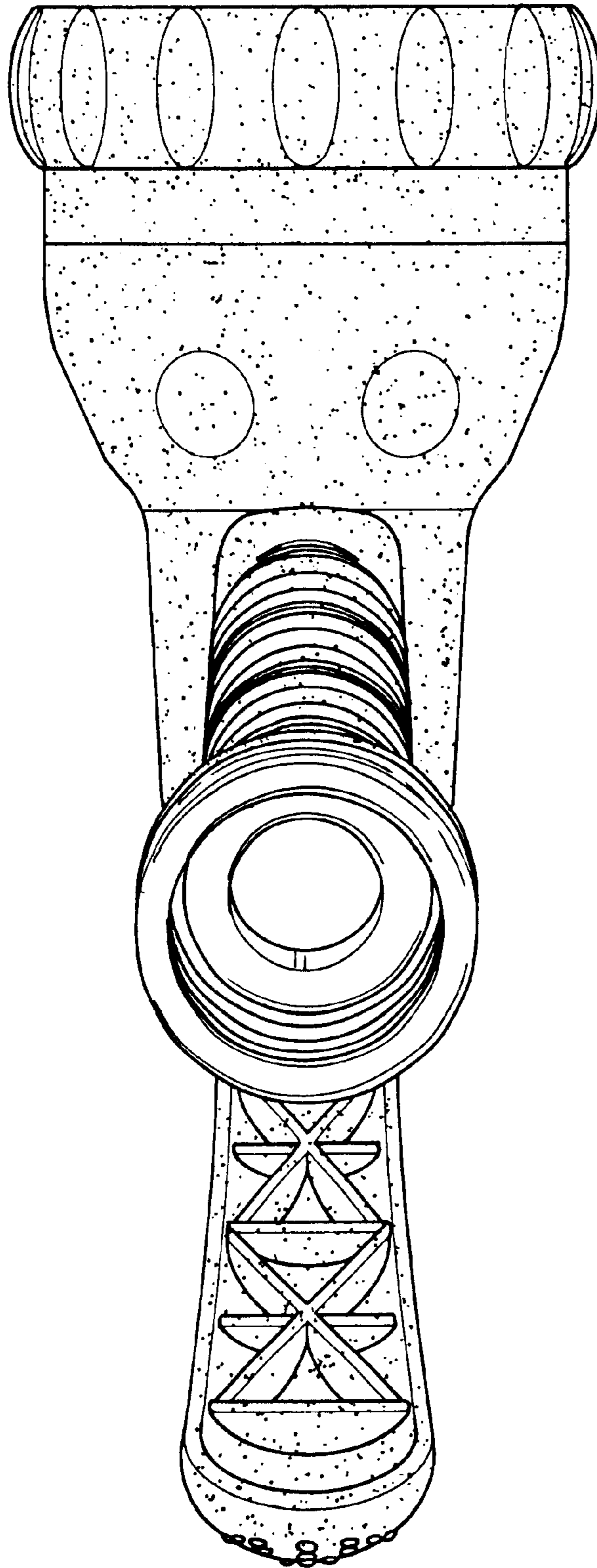


FIG. 7