



US00D453368S

(12) **United States Design Patent**
Antonelli

(10) **Patent No.:** **US D453,368 S**

(45) **Date of Patent:** **** Feb. 5, 2002**

(54) **FISHING KNOT TIGHTENER**

D377,962 S * 2/1997 Blain D22/134

(76) Inventor: **Ronald Antonelli**, 46 Edinborough Ct.,
Hacketstown, NJ (US) 07840

* cited by examiner

(**) Term: **14 Years**

Primary Examiner—Catherine R. Oliver
(74) *Attorney, Agent, or Firm*—Cozzarelli Law Firm,P.A.;
Frank Cozzarelli, Jr.

(21) Appl. No.: **29/134,471**

(57) **CLAIM**

(22) Filed: **Dec. 22, 2000**

The ornamental design for a fishing knot tightener, as shown
and described.

(51) **LOC (7) Cl.** **22-05**

(52) **U.S. Cl.** **D22/134**

(58) **Field of Search** D22/134, 149;
43/53.5, 24, 25, 42.5, 4, 5, 17.2; 289/17;
D8/33, 38; D12/6; 280/87.01

DESCRIPTION

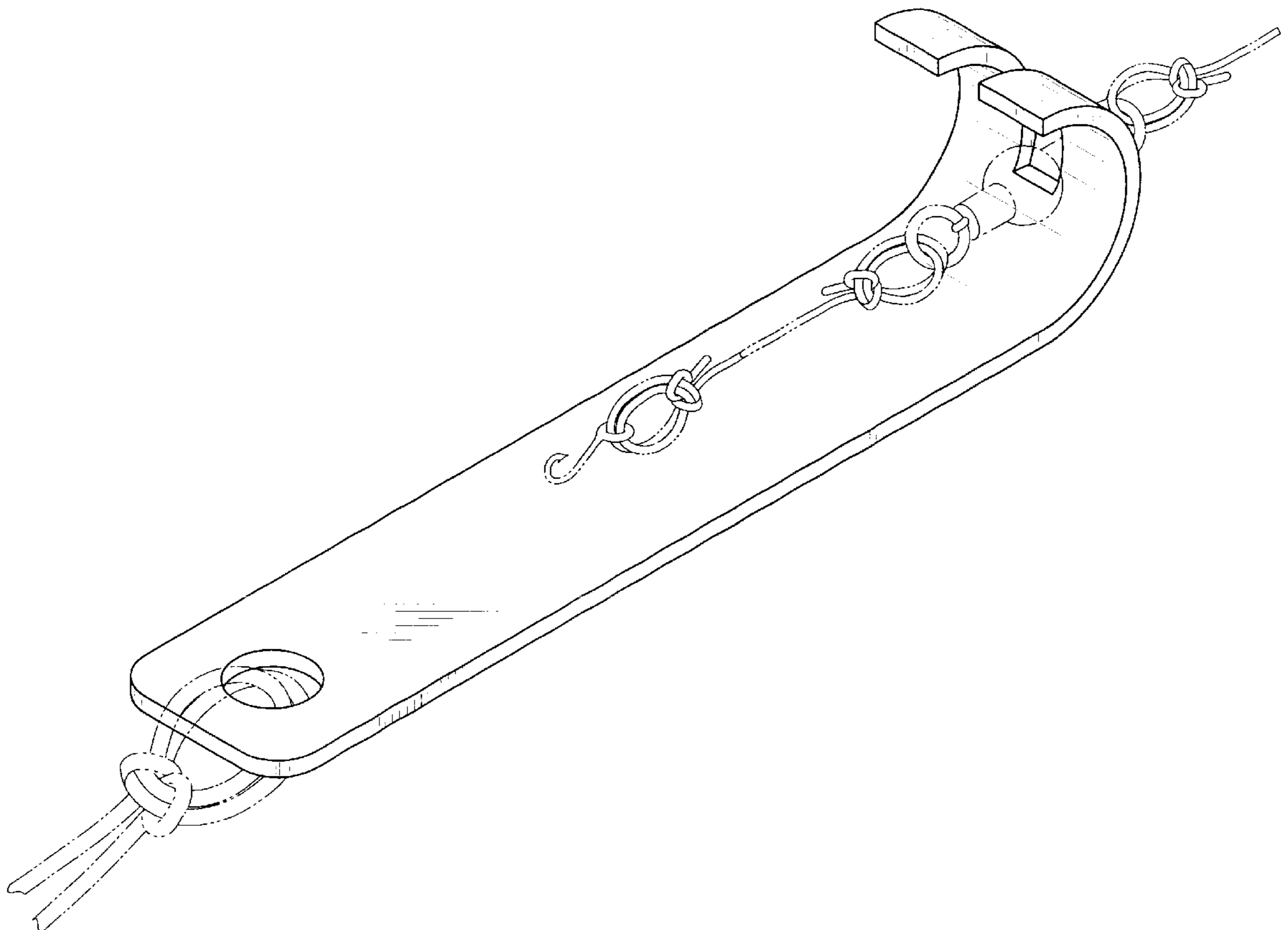
FIG. 1 is a front perspective view of the fishing knot tightener showing my design;
FIG. 2 is a top plan view thereof;
FIG. 3 side elevational view thereof;
FIG. 4 is a front-end elevational view thereof; and,
FIG. 5 is a rear-end elevational view thereof.
The broken line showing of environment in FIG. 1 is for
illustrative purposes only and forms no part of the claimed
design.

(56) **References Cited**

U.S. PATENT DOCUMENTS

2,889,655	A	*	6/1959	Switzer	43/17.2
4,101,152	A	*	7/1978	Gardipee	289/17
D284,161	S	*	6/1986	DeLano	D8/33
5,138,791	A	*	8/1992	Coes	43/53.5
D361,368	S	*	8/1995	Sugai	D22/149

1 Claim, 2 Drawing Sheets



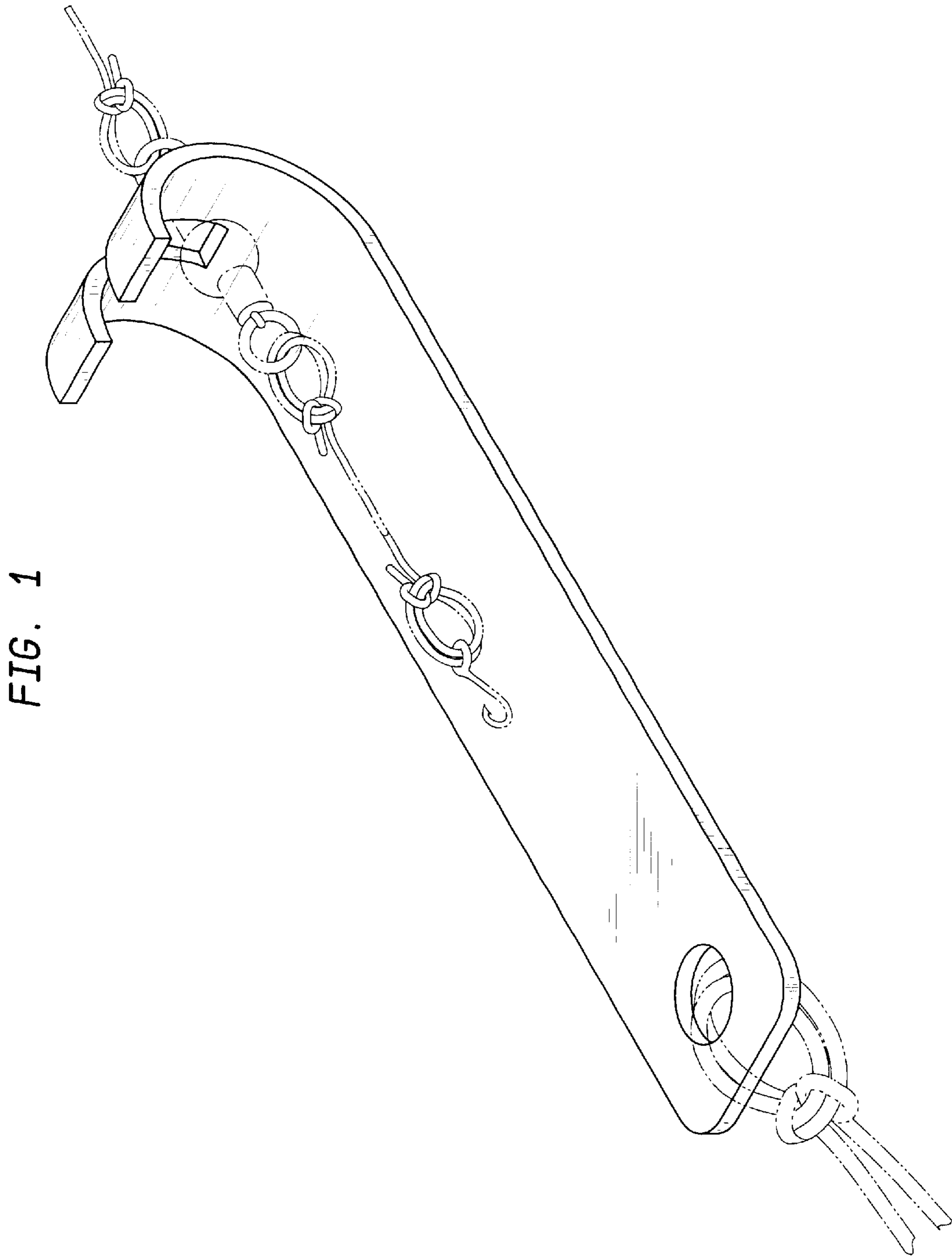


FIG. 1

FIG. 2

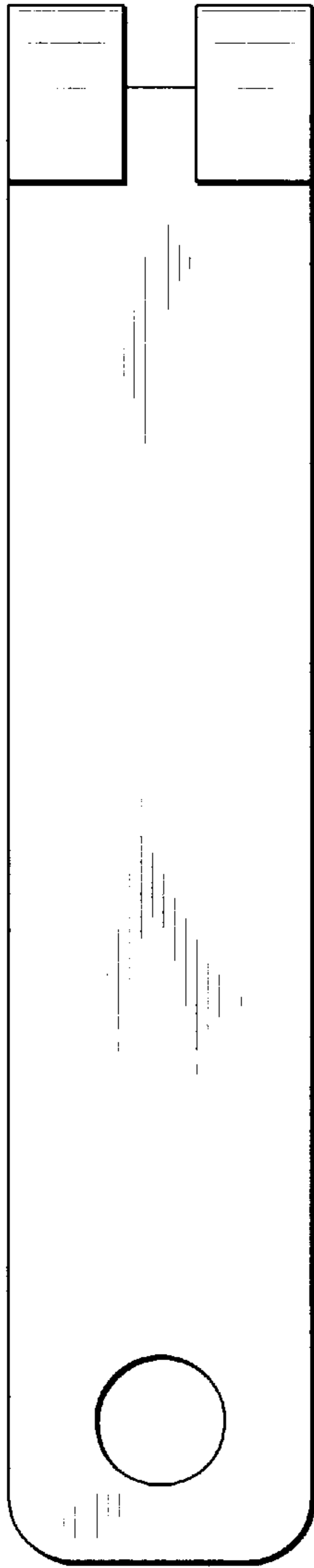


FIG. 3

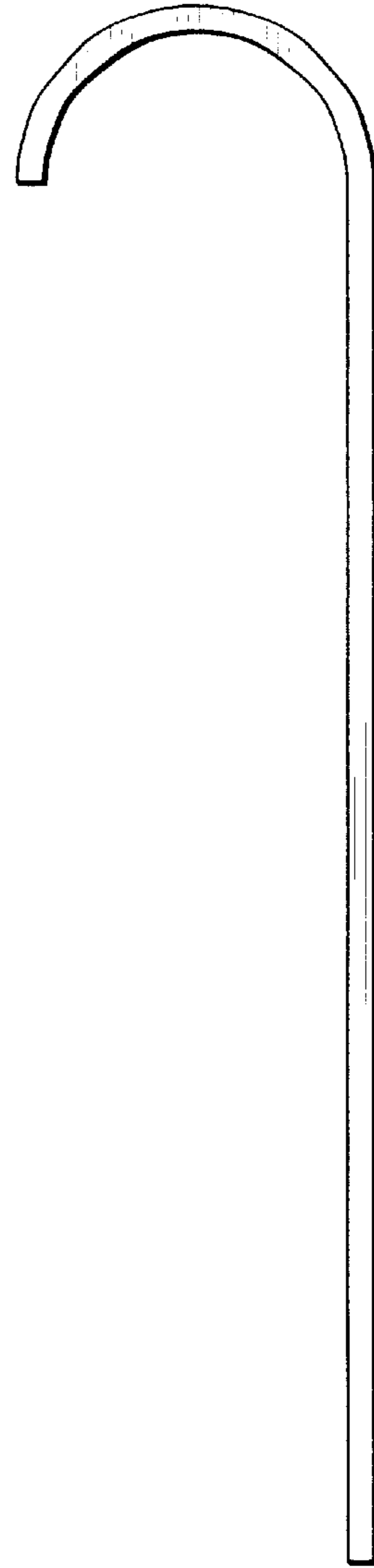


FIG. 4

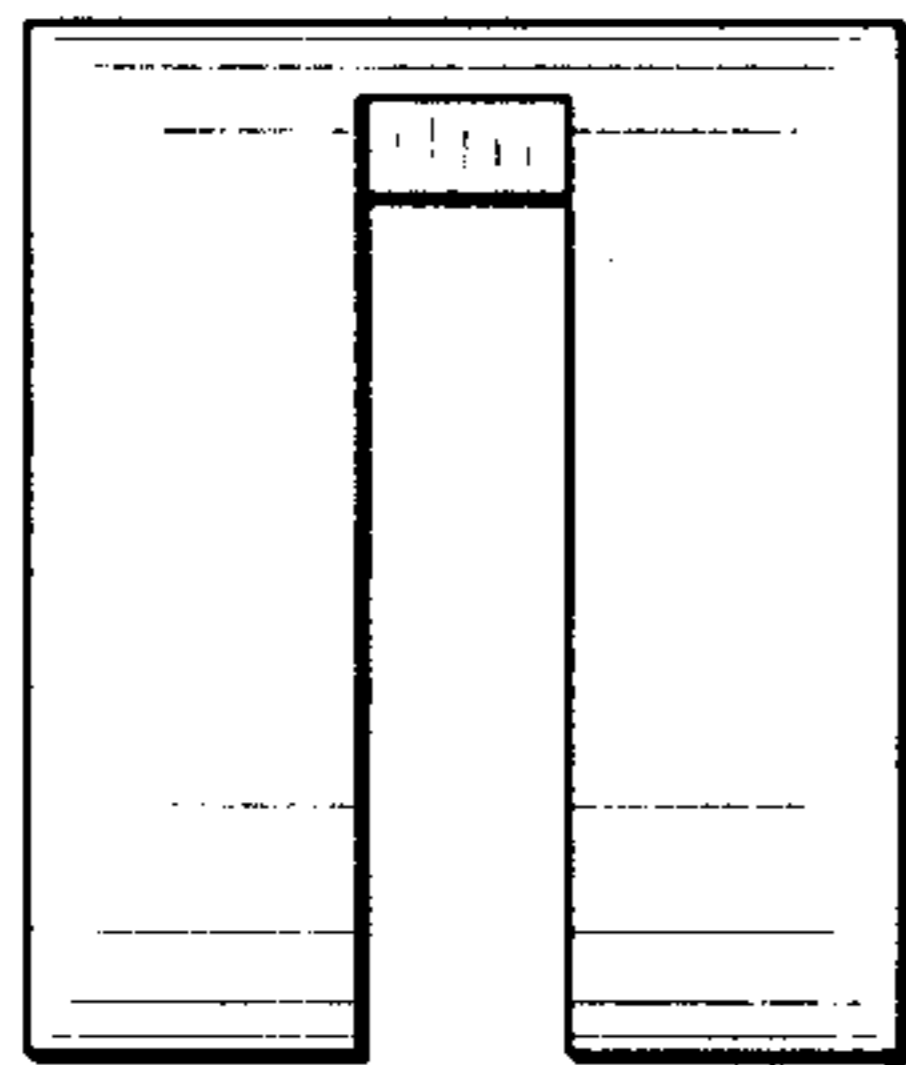


FIG. 5

