



US00D453363S

(12) **United States Design Patent**  
**Zhang**

(10) **Patent No.:** **US D453,363 S**

(45) **Date of Patent:** **\*\* Feb. 5, 2002**

(54) **EXERCISE HANDCART**

(76) Inventor: **Zhixiong Zhang**, Hezhoudongya Building, Xixiang Town, Baoan District, Shenzhen City, Guangdong Province (CN), 518126

(\*\*) Term: **14 Years**

(21) Appl. No.: **29/134,647**

(22) Filed: **Dec. 27, 2000**

(30) **Foreign Application Priority Data**

Sep. 29, 2000 (CN) ..... 00 3 29457

(51) **LOC (7) Cl.** ..... **21-02**

(52) **U.S. Cl.** ..... **D21/662**

(58) **Field of Search** ..... D21/662, 684;  
482/131, 132, 148, 127

(56) **References Cited**

**U.S. PATENT DOCUMENTS**

5,499,961 A \* 3/1996 Mattox ..... 482/132  
D418,564 S \* 1/2000 Huang et al. .... D21/692  
6,017,296 A \* 1/2000 Tang et al. .... 482/132

6,146,318 A \* 11/2000 Kuo ..... 482/132  
6,174,269 B1 \* 1/2001 Eschenbach ..... 482/132  
6,196,954 B1 \* 3/2001 Chen ..... 482/131  
6,196,955 B1 \* 3/2001 Chuang ..... 482/132

\* cited by examiner

*Primary Examiner*—Philip S. Hyder

(74) *Attorney, Agent, or Firm*—Jacobson Holman, PLLC

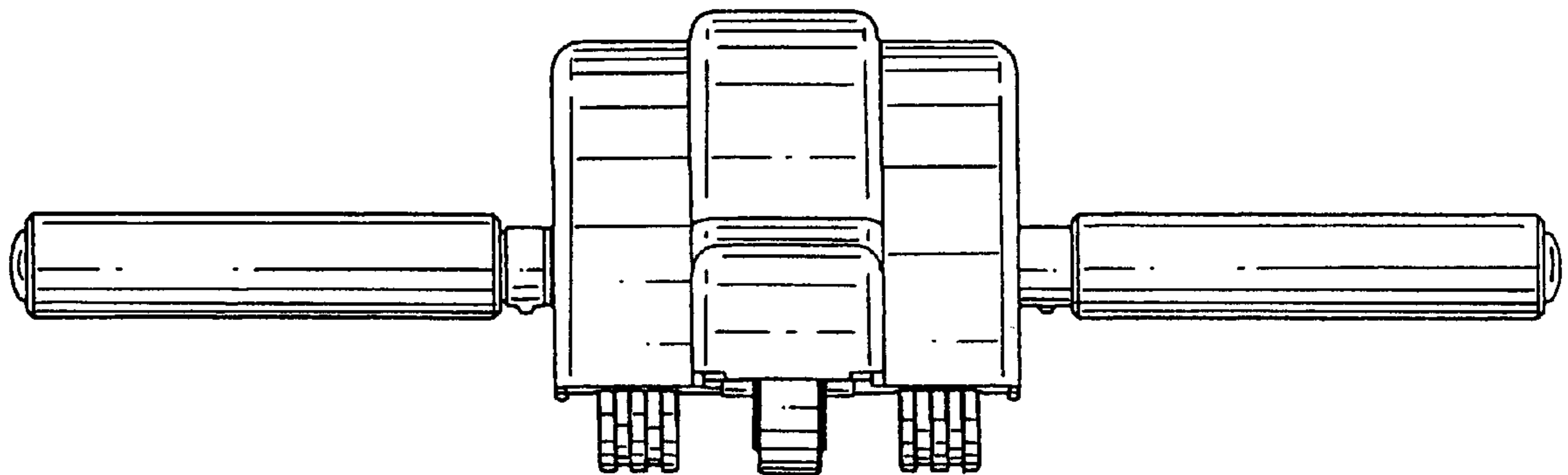
(57) **CLAIM**

I claim the ornamental design for an exercise handcart, as shown and described.

**DESCRIPTION**

FIG. 1 is a front elevational view of the exercise handcart embodying my design;  
FIG. 2 is a right side elevational view of the exercise handcart as shown in FIG. 1;  
FIG. 3 is a left side elevational view of the exercise handcart as shown in FIG. 1;  
FIG. 4 is a top plan view of the exercise handcart as shown in FIG. 1; and,  
FIG. 5 is a bottom view of the exercise handcart as shown in FIG. 1.

**1 Claim, 2 Drawing Sheets**



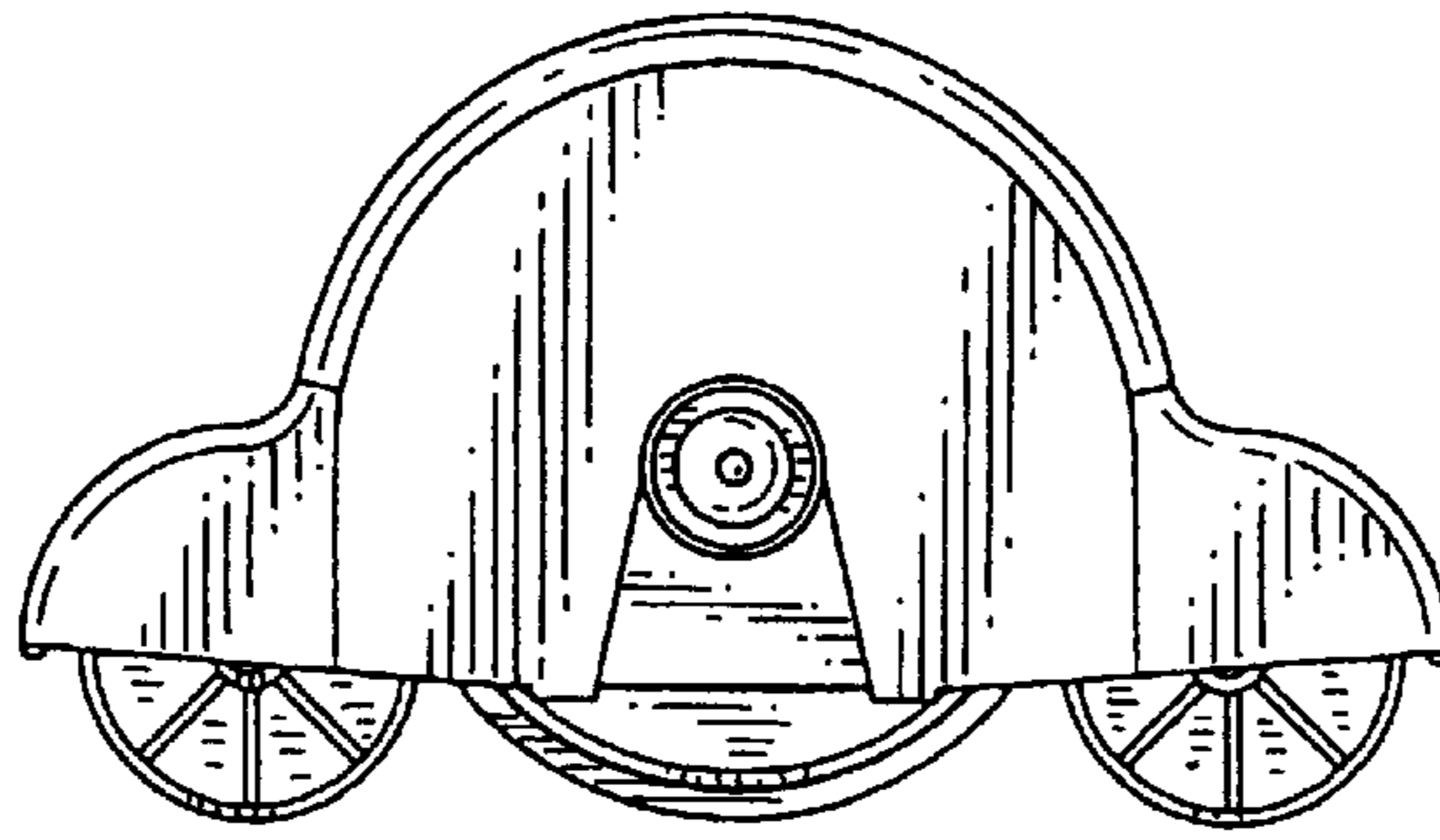


FIG. 1

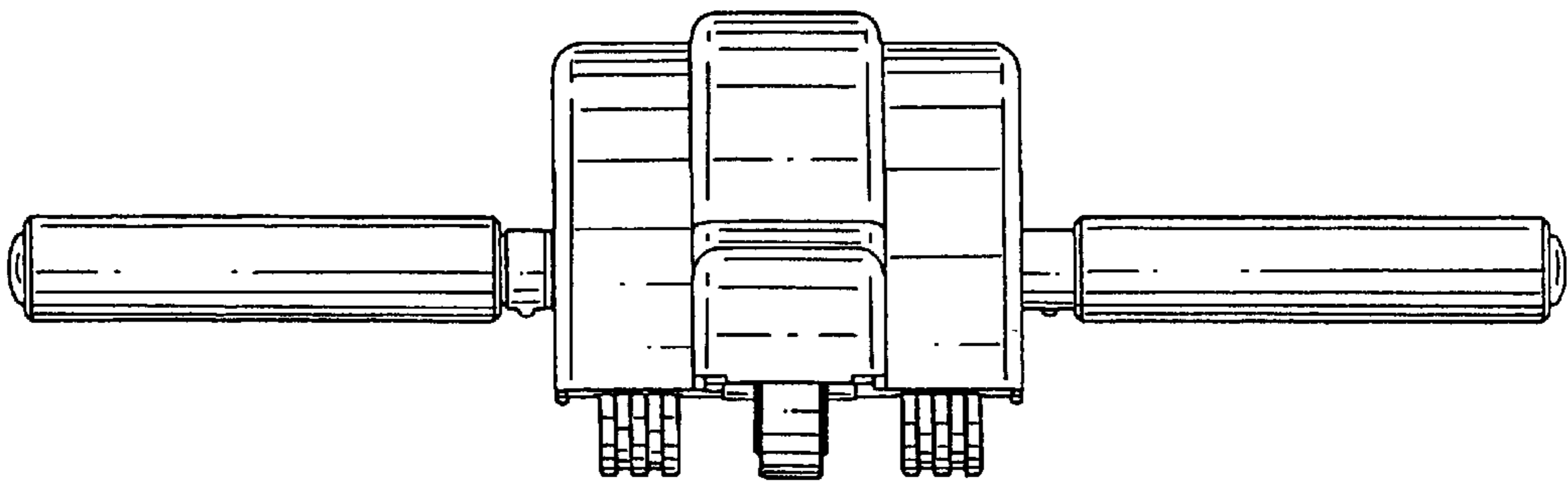


FIG. 2

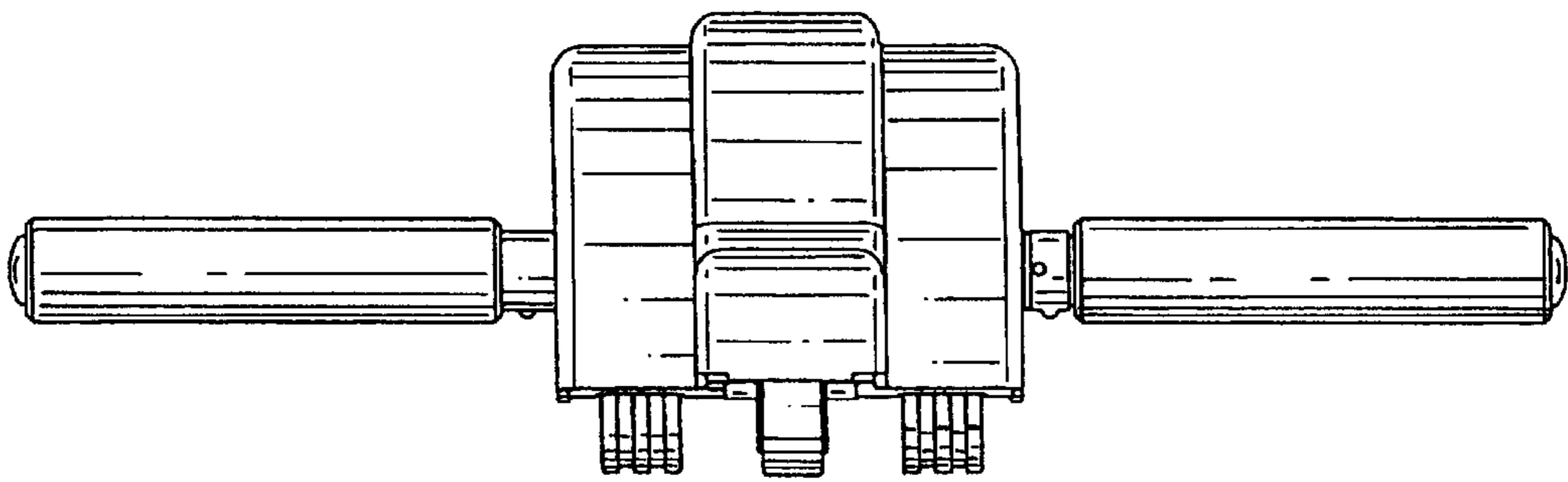


FIG. 3

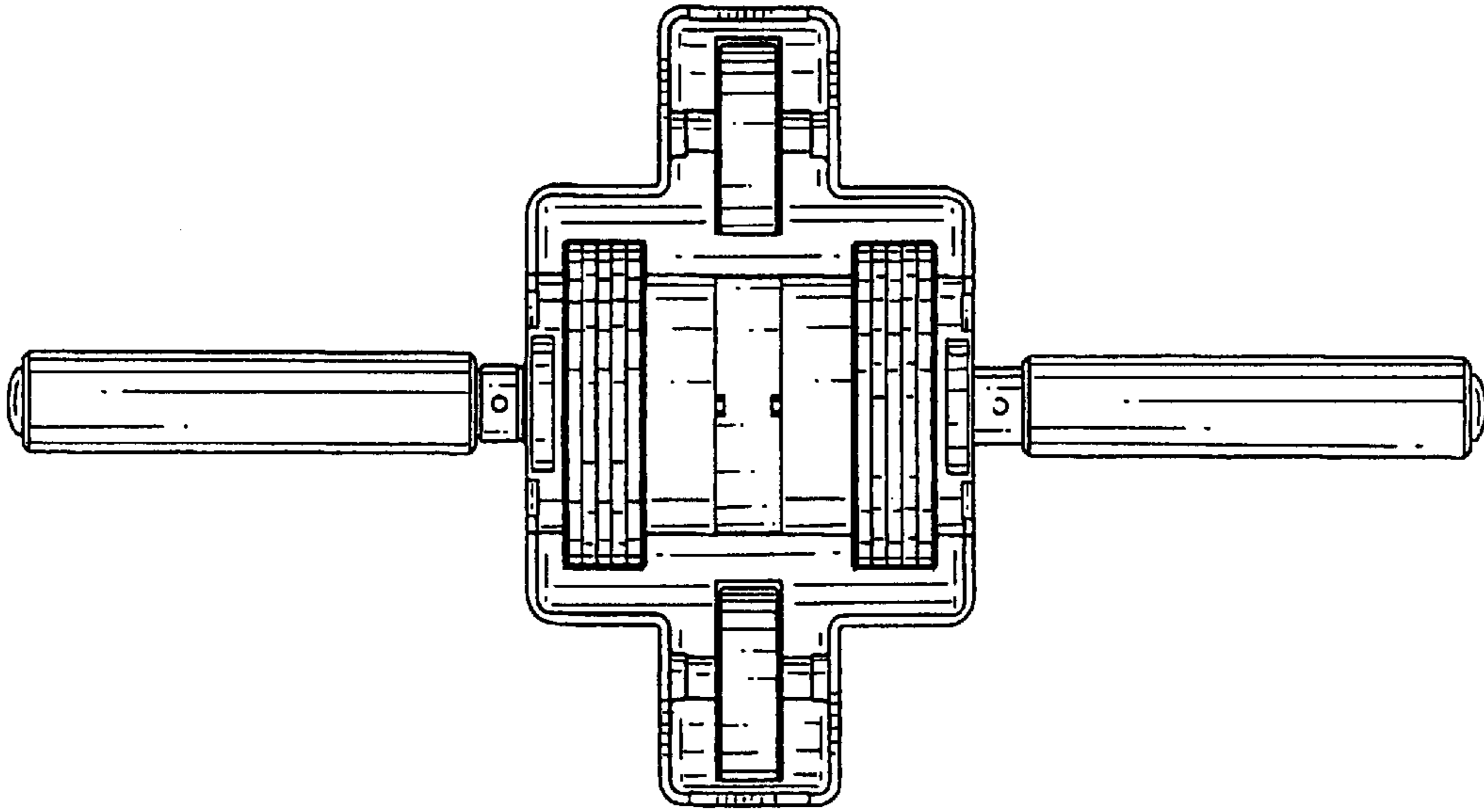


FIG. 5

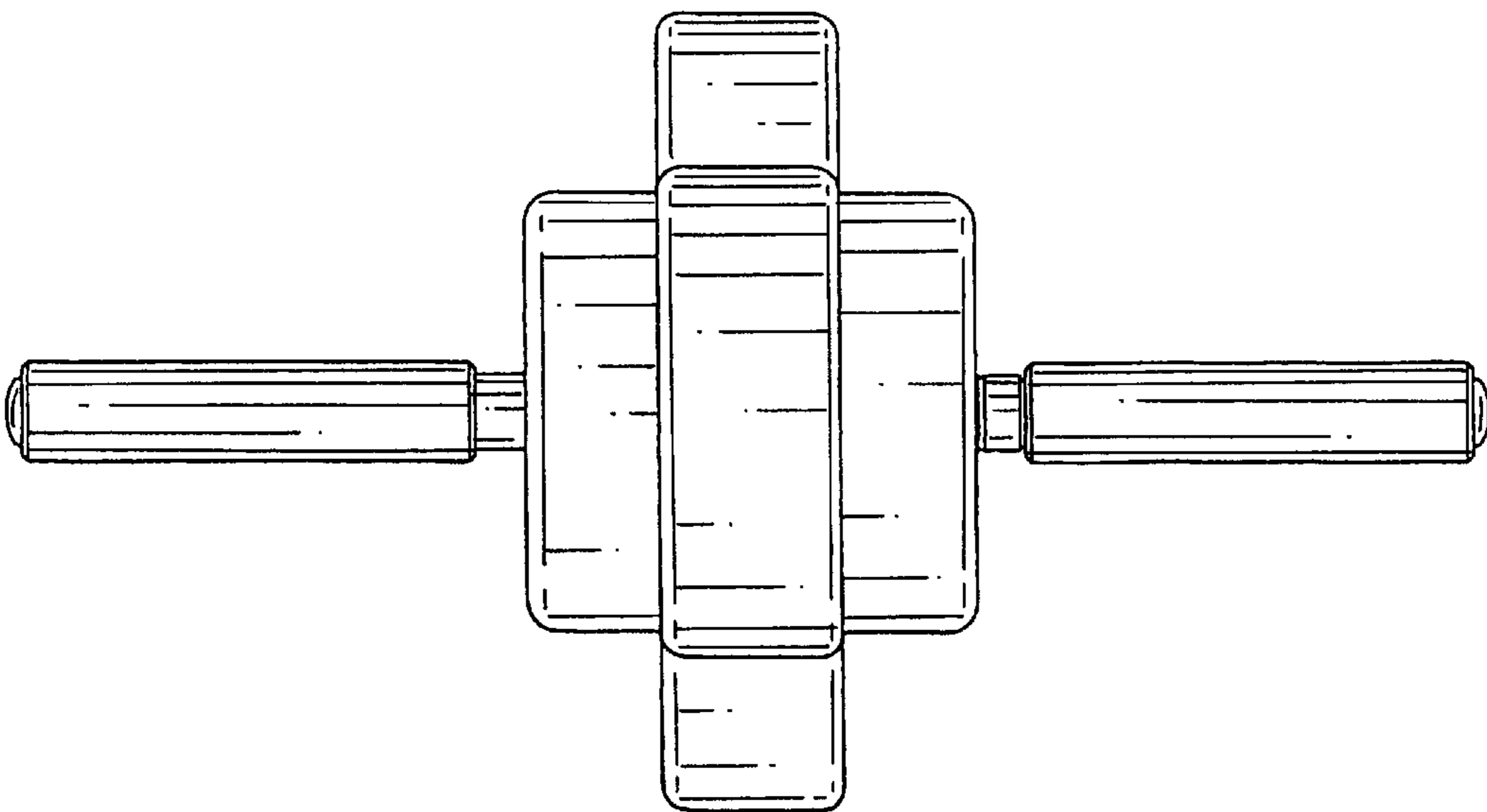


FIG. 4