



US00D453358S

(12) **United States Design Patent** (10) **Patent No.:** **US D453,358 S**
Uecker (45) **Date of Patent:** **** Feb. 5, 2002**

(54) **DISPLAY FRAME**

(75) Inventor: **Manfred Uecker**, Rheinfelden (DE)

(73) Assignee: **Visplay IP AG**, Muttenz (CH)

(**) Term: **14 Years**

(21) Appl. No.: **29/123,777**

(22) Filed: **May 24, 2000**

(30) **Foreign Application Priority Data**

Nov. 25, 1999 (XH) DM/049 952

(51) **LOC (7) Cl.** **20-02**

(52) **U.S. Cl.** **D20/42**

(58) **Field of Search** D20/10, 39, 40,
D20/41, 42; 40/1, 540, 541, 545, 584, 591,
592, 593, 606, 611, 612, 617, 618, 152.1,
152.2; D6/300-310

(56) **References Cited**

U.S. PATENT DOCUMENTS

D371,393 S	*	7/1996	McMillan	D20/42
D401,766 S	*	12/1998	Fry	D20/42
D407,120 S	*	3/1999	Dunn et al.	D20/42
D425,565 S	*	5/2000	Bowie	D20/42

* cited by examiner

Primary Examiner—Marcus A. Jackson

(74) *Attorney, Agent, or Firm*—Selitto, Behr & Kim

(57) **CLAIM**

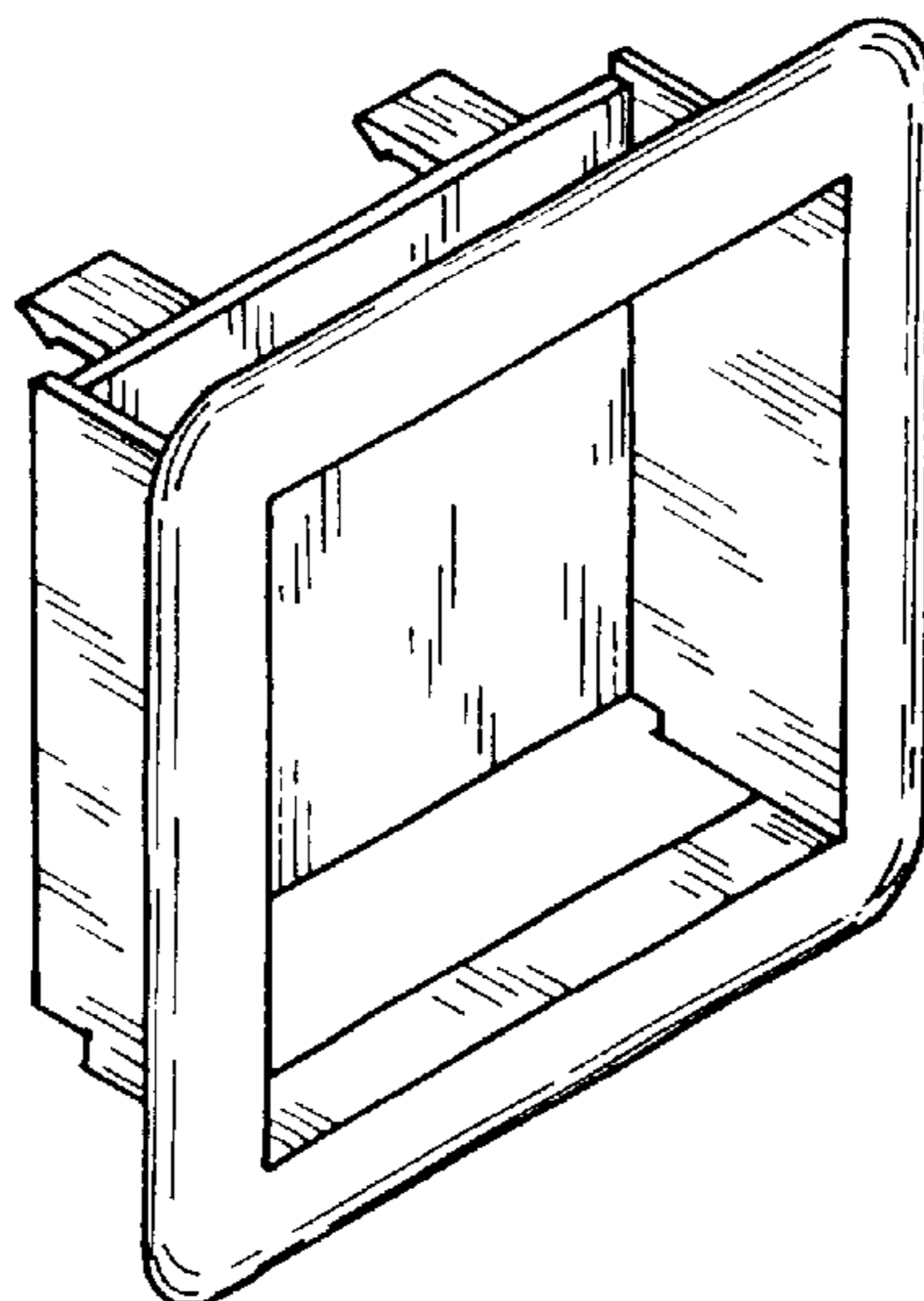
The ornamental design for a display frame, as shown.

DESCRIPTION

FIG. 1 is a front perspective view, looking from above, of a first embodiment of a display frame showing my new design;

FIG. 2 is a front perspective view of the first embodiment;
 FIG. 3 is a front elevational view of the first embodiment;
 FIG. 4 is a rear elevational view of the first embodiment;
 FIG. 5 is a right side elevational view of the first embodiment, the left side being a mirror image thereof;
 FIG. 6 is a top plan view of the first embodiment;
 FIG. 7 is a rear perspective view of the first embodiment;
 FIG. 8 is a vertical, cross-sectional view of the first embodiment;
 FIG. 9 is a front perspective view, looking from above, of the first embodiment;
 FIG. 10 is a front perspective view, looking from below, of the first embodiment;
 FIG. 11 is a rear perspective view, looking from above, of the first embodiment;
 FIG. 12 is a rear perspective view, looking from below, of the first embodiment;
 FIG. 13 is a front perspective view of a second embodiment of a display frame showing my new design;
 FIG. 14 is a front elevational view of the second embodiment;
 FIG. 15 is a rear elevational view of the second embodiment;
 FIG. 16 is a right side elevational view of the second embodiment, the left side being a mirror image thereof;
 FIG. 17 is a top plan view of the second embodiment;
 FIG. 18 is a rear perspective view of the second embodiment;
 FIG. 19 is a vertical, cross-sectional view of the second embodiment;
 FIG. 20 is a front perspective view, looking from above, of the second embodiment;
 FIG. 21 is a front perspective view, looking from below, of the second embodiment;
 FIG. 22 is a rear perspective view, looking from above, of the second embodiment; and,
 FIG. 23 is a rear perspective view, looking from below, of the second embodiment.

1 Claim, 6 Drawing Sheets



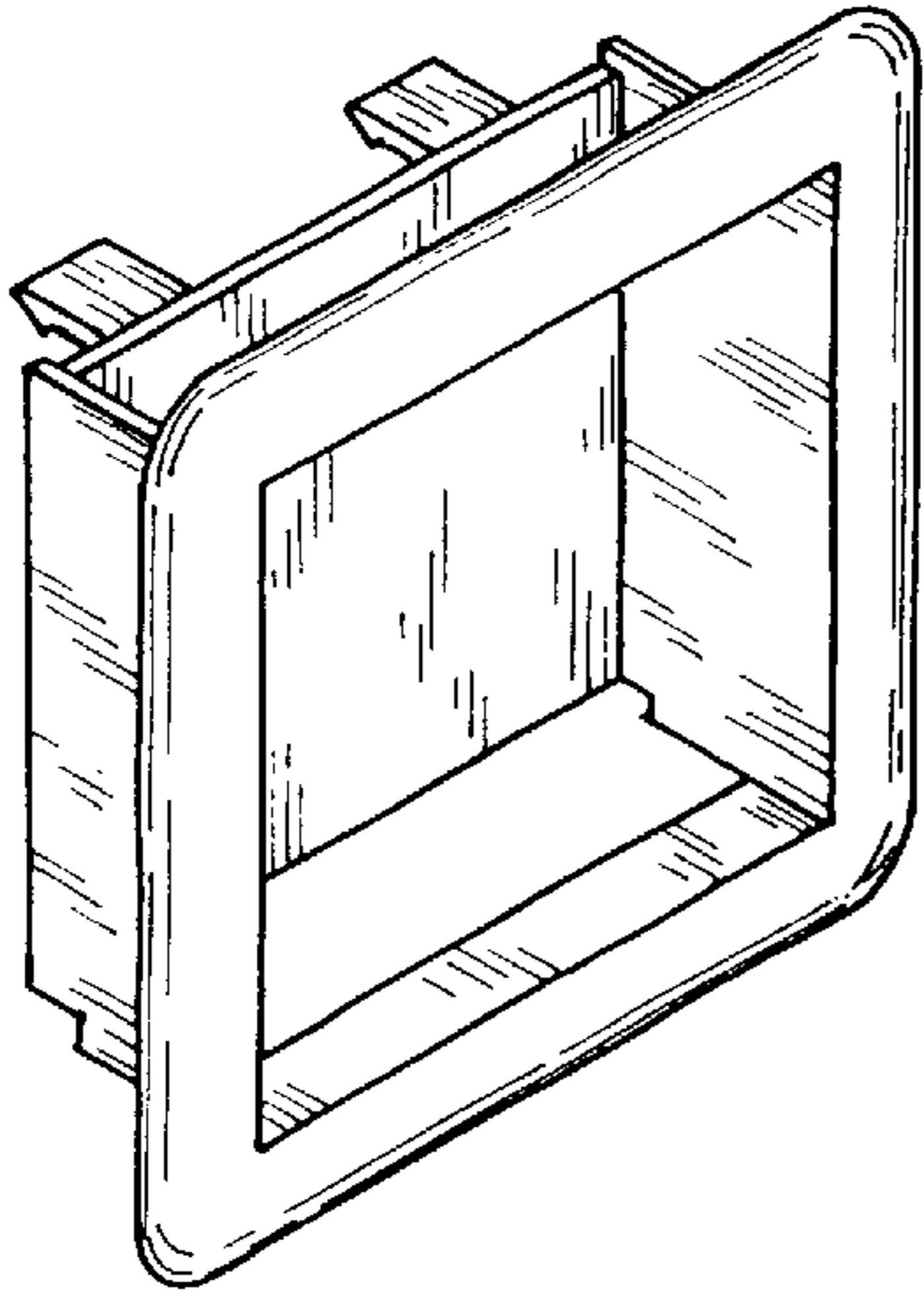


FIG. 1

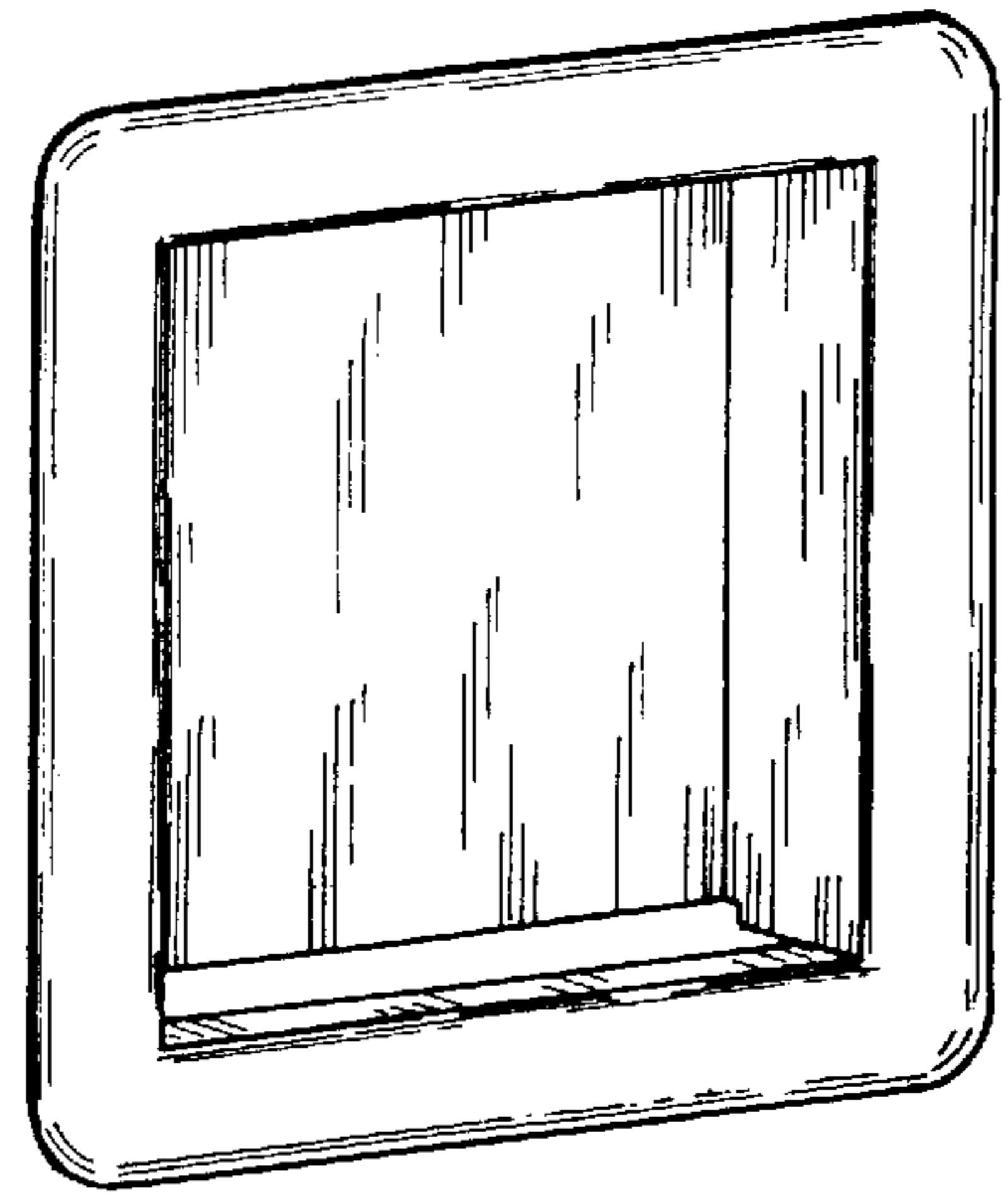


FIG. 2

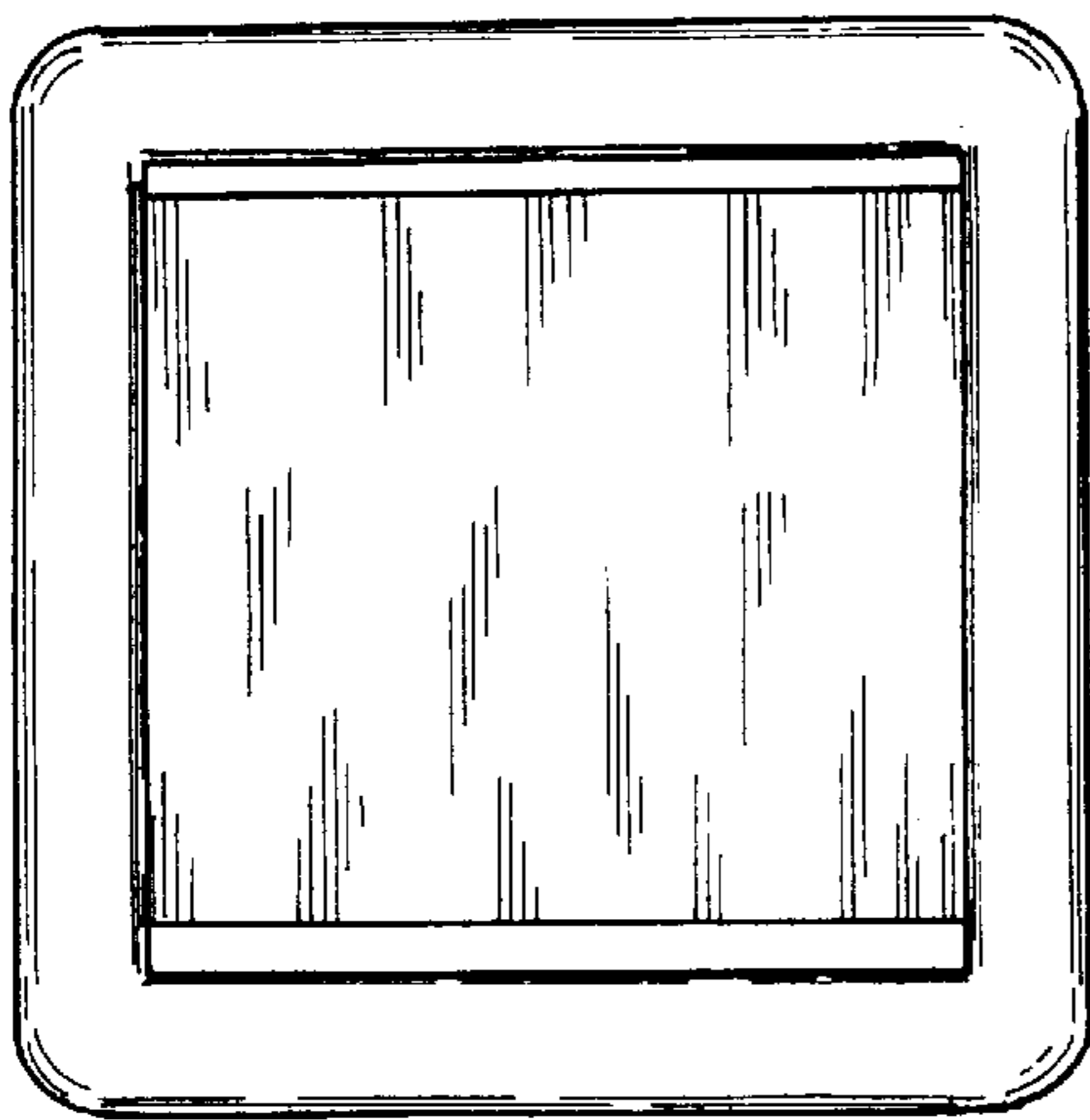


FIG. 3

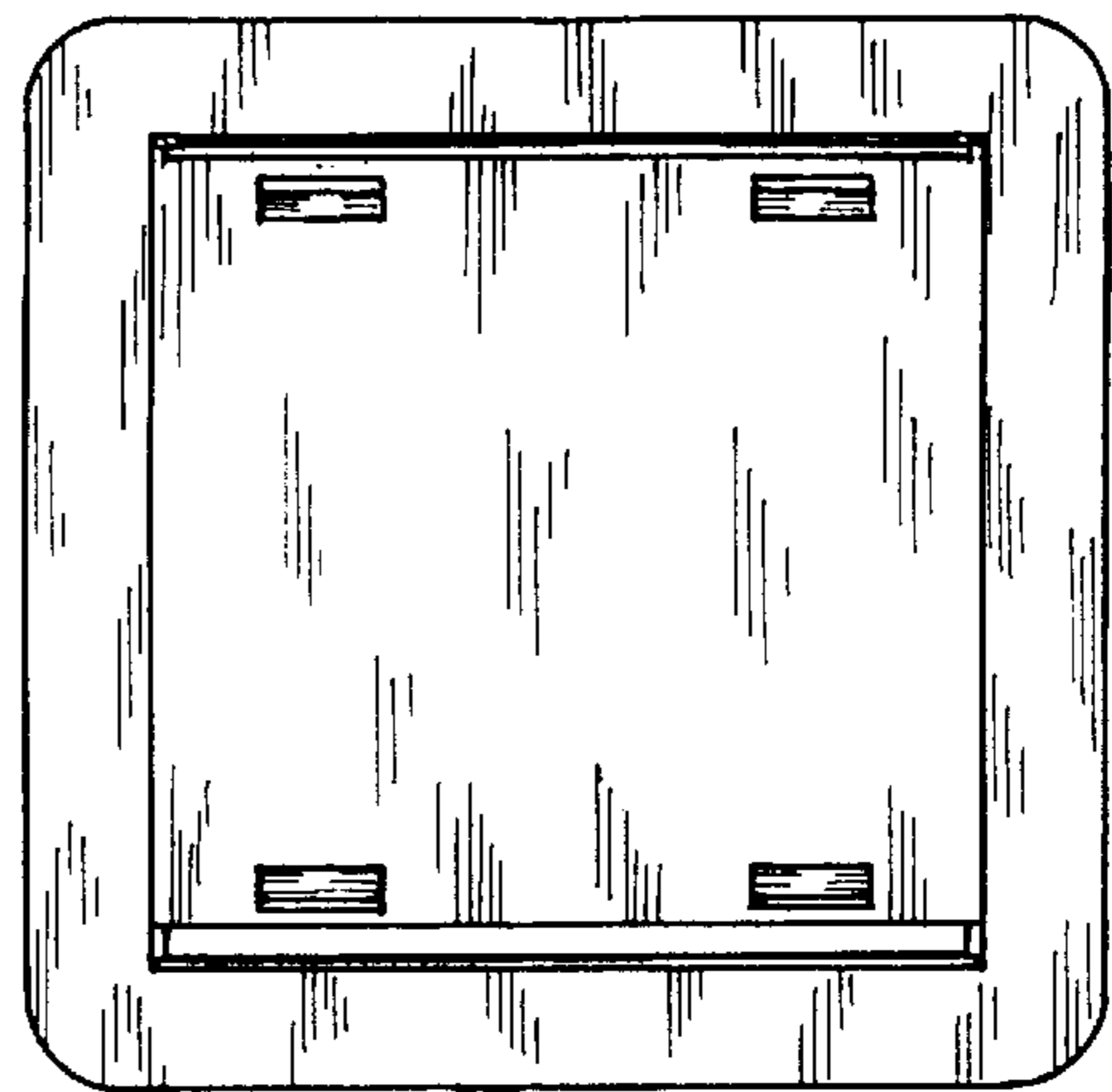


FIG. 4

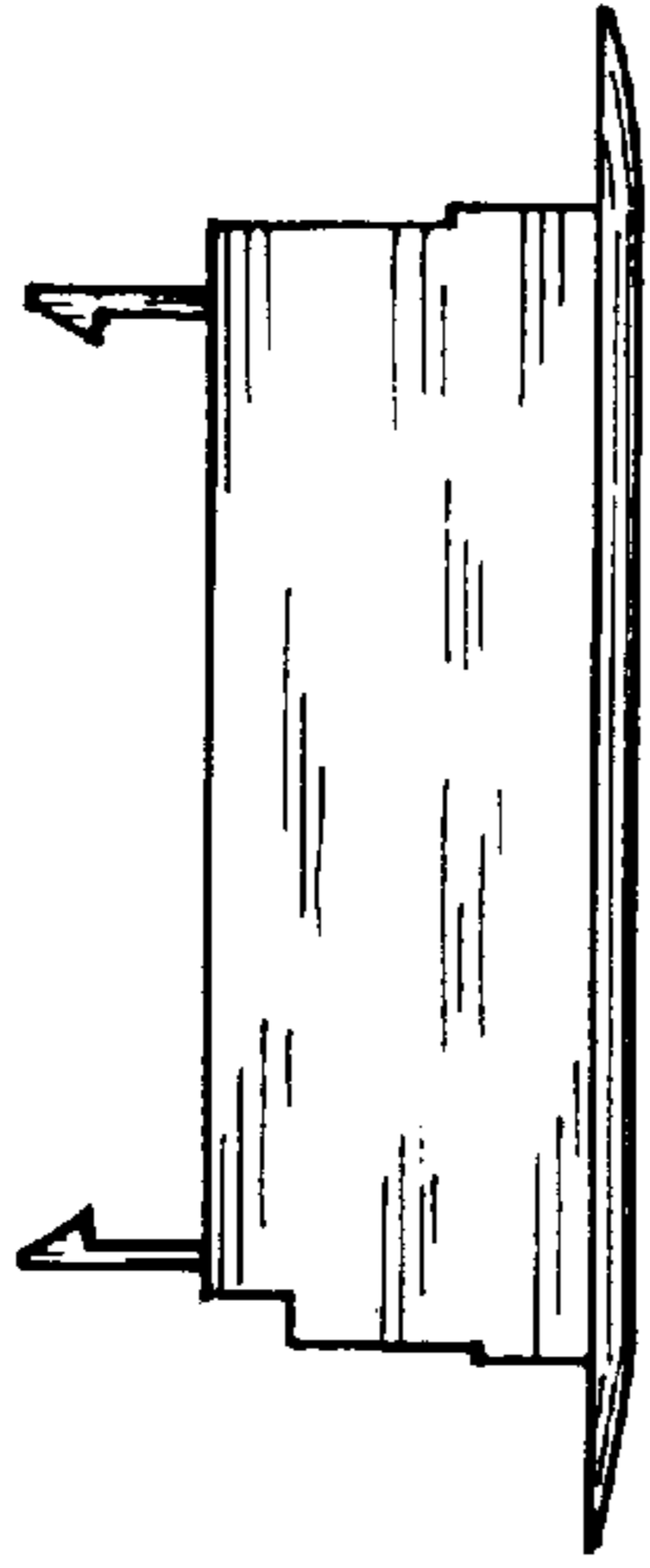


FIG. 5

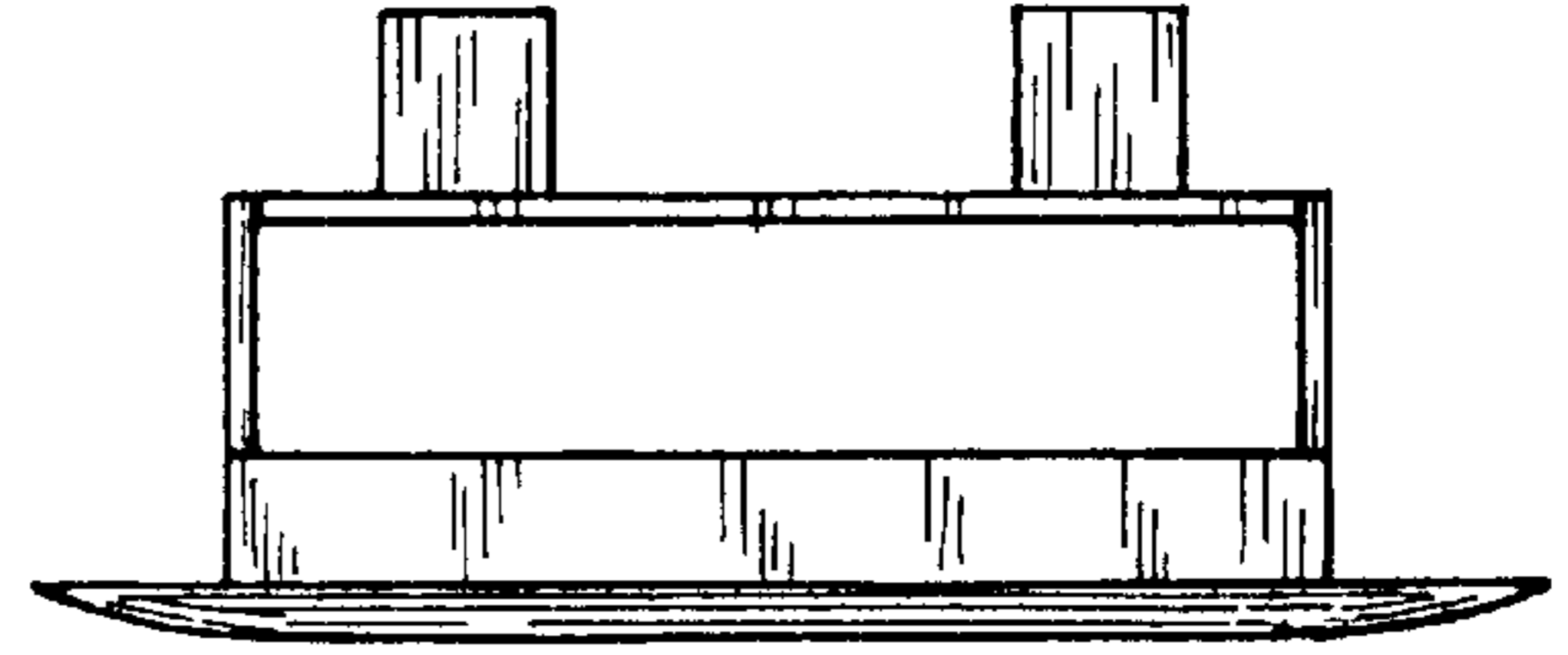


FIG. 6

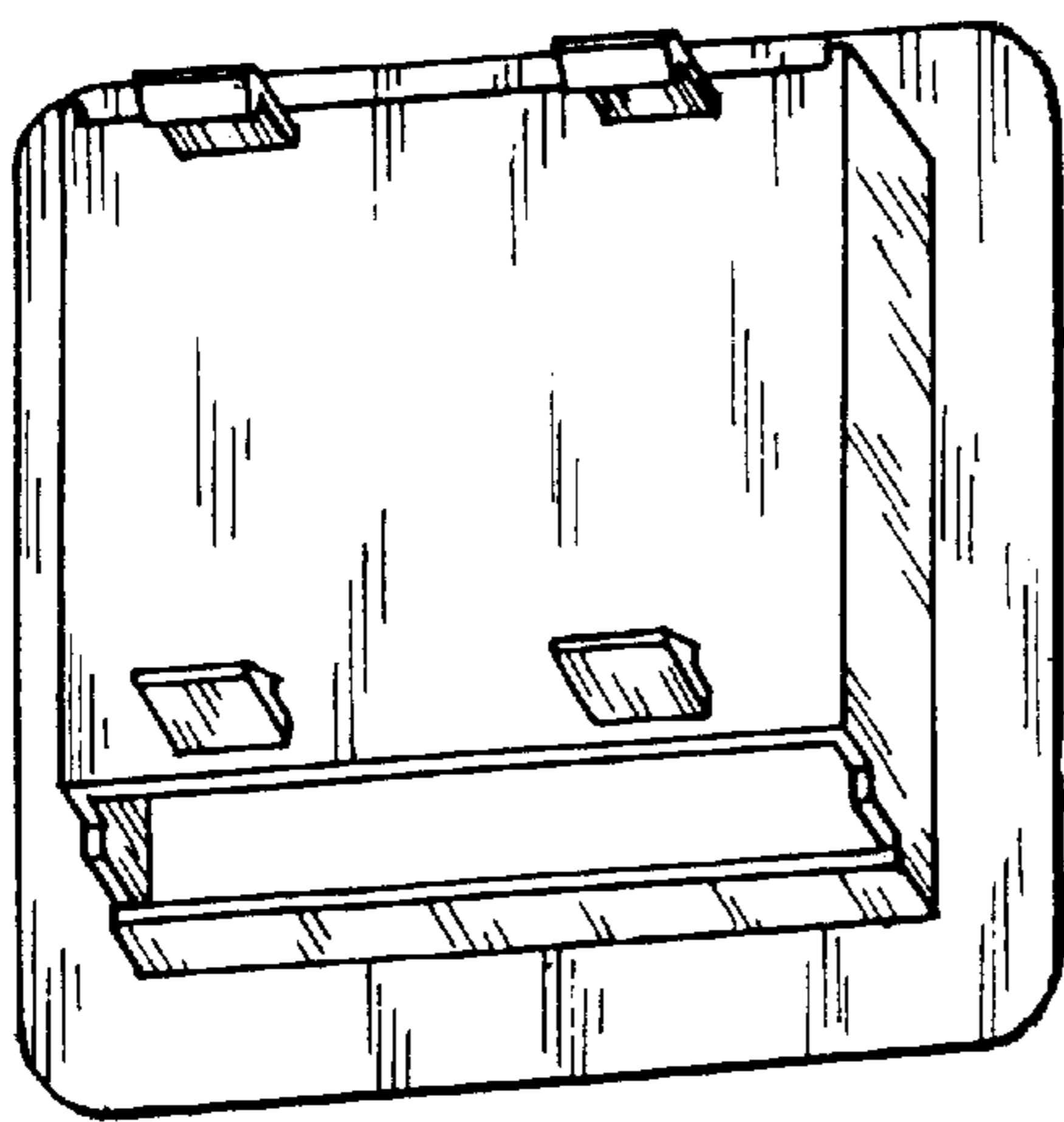


FIG. 7

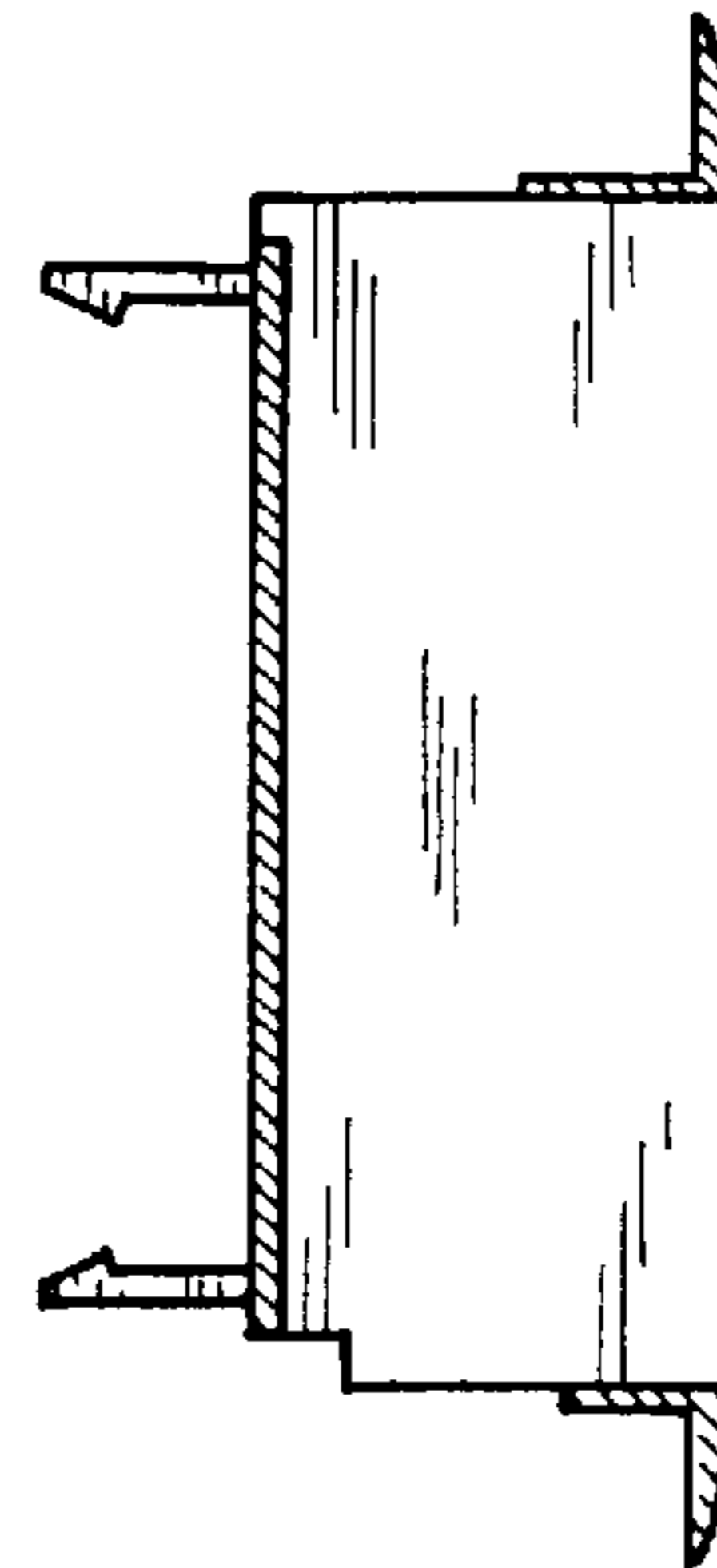


FIG. 8

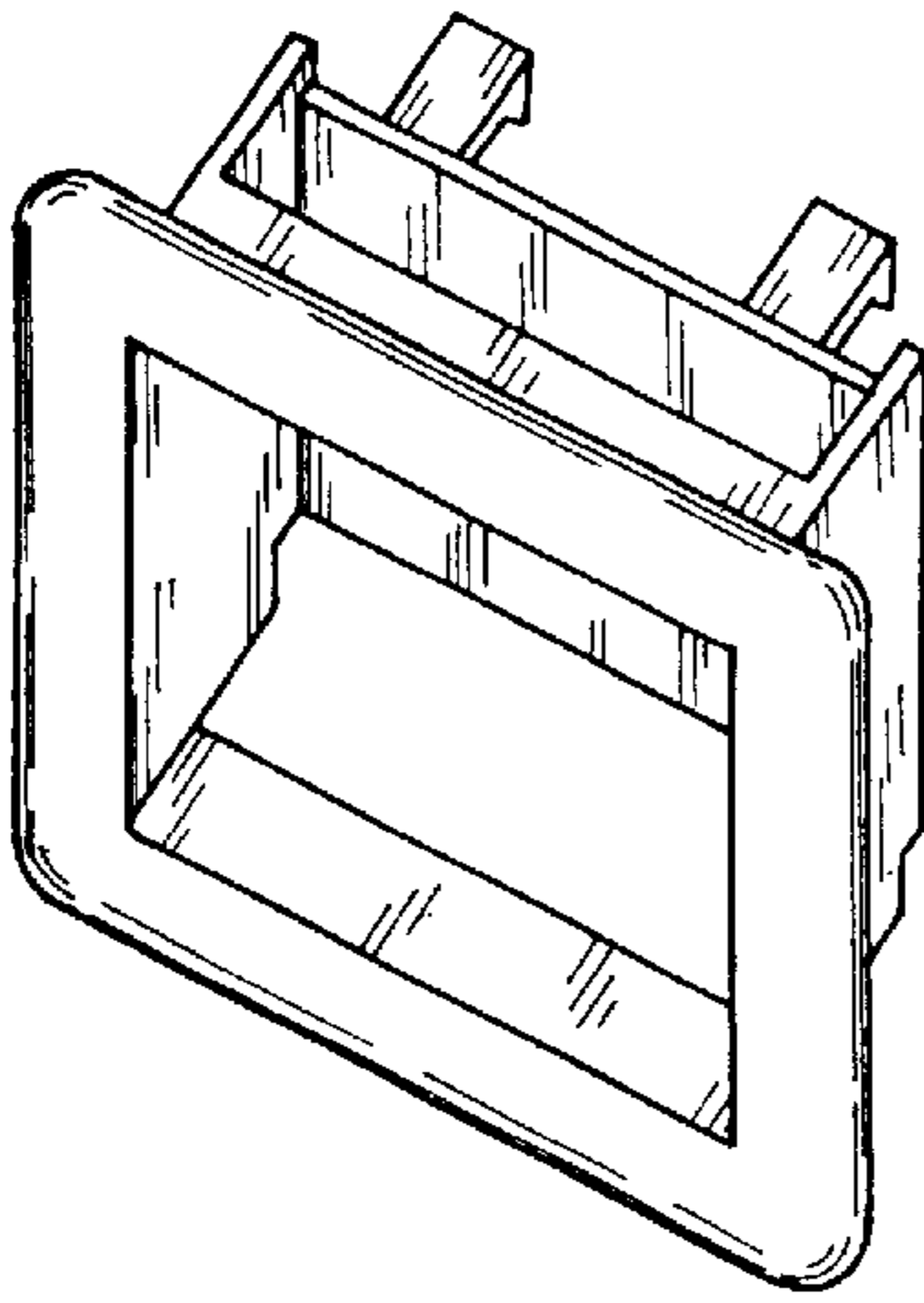


FIG. 9

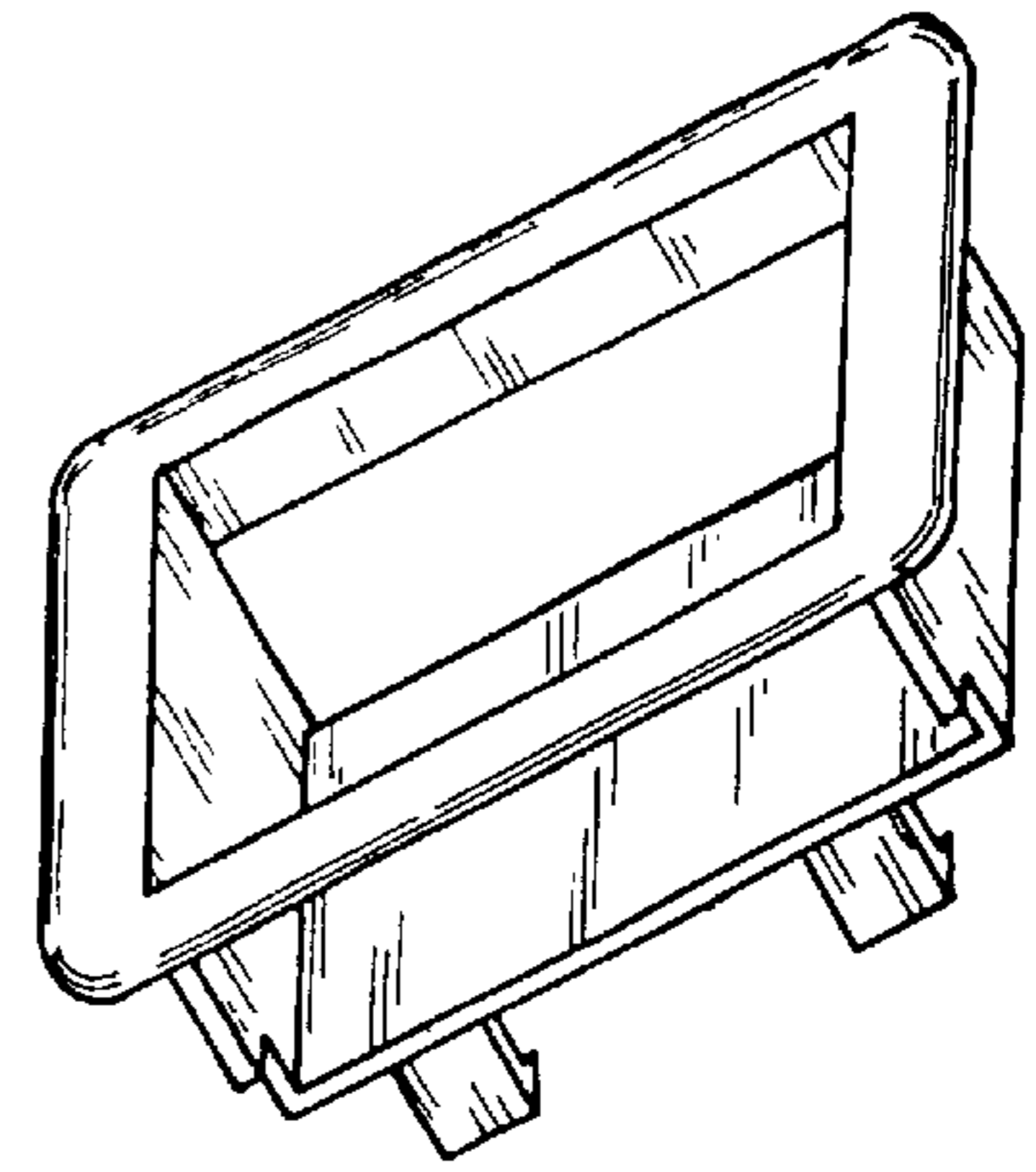


FIG. 10

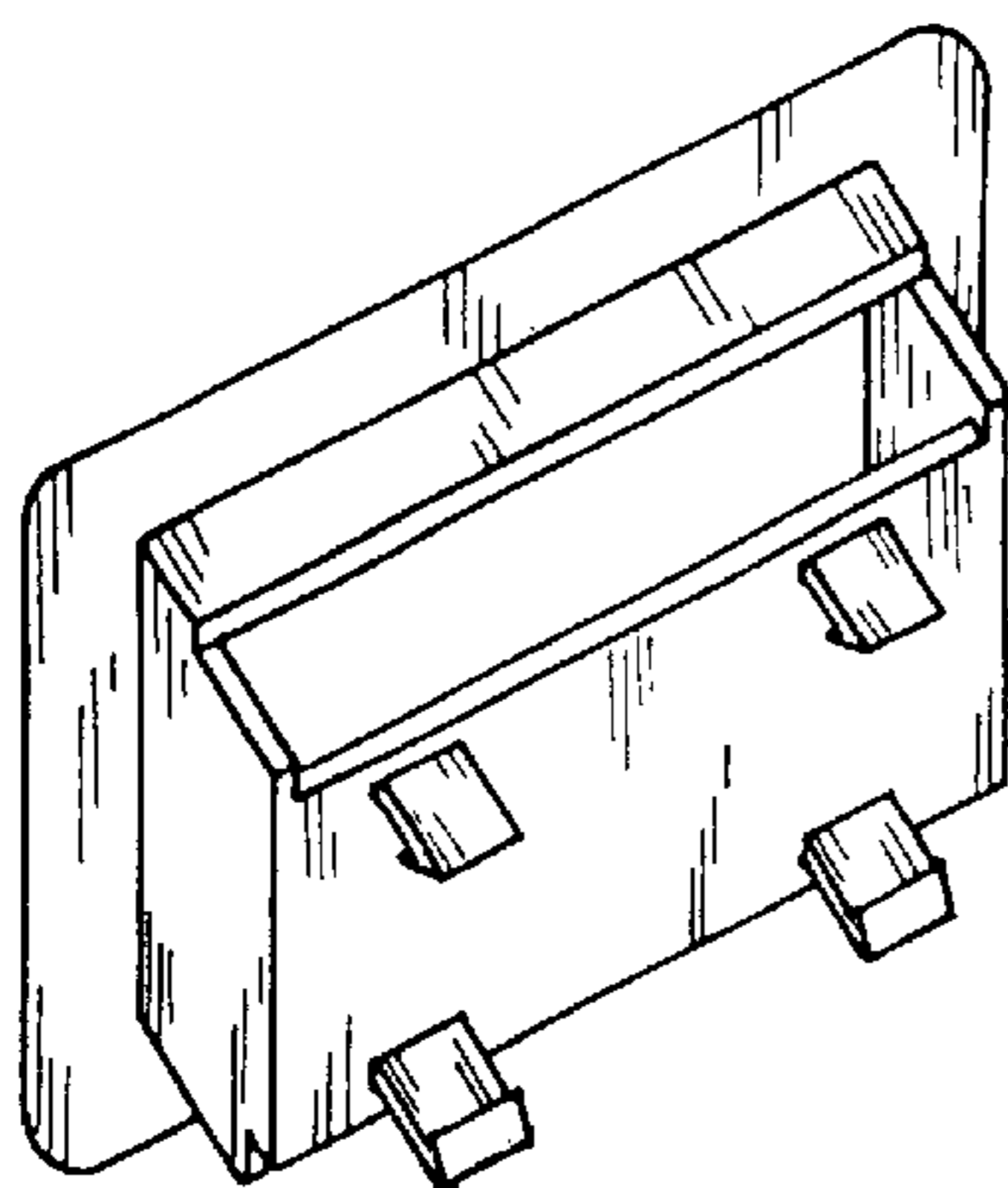


FIG. 11

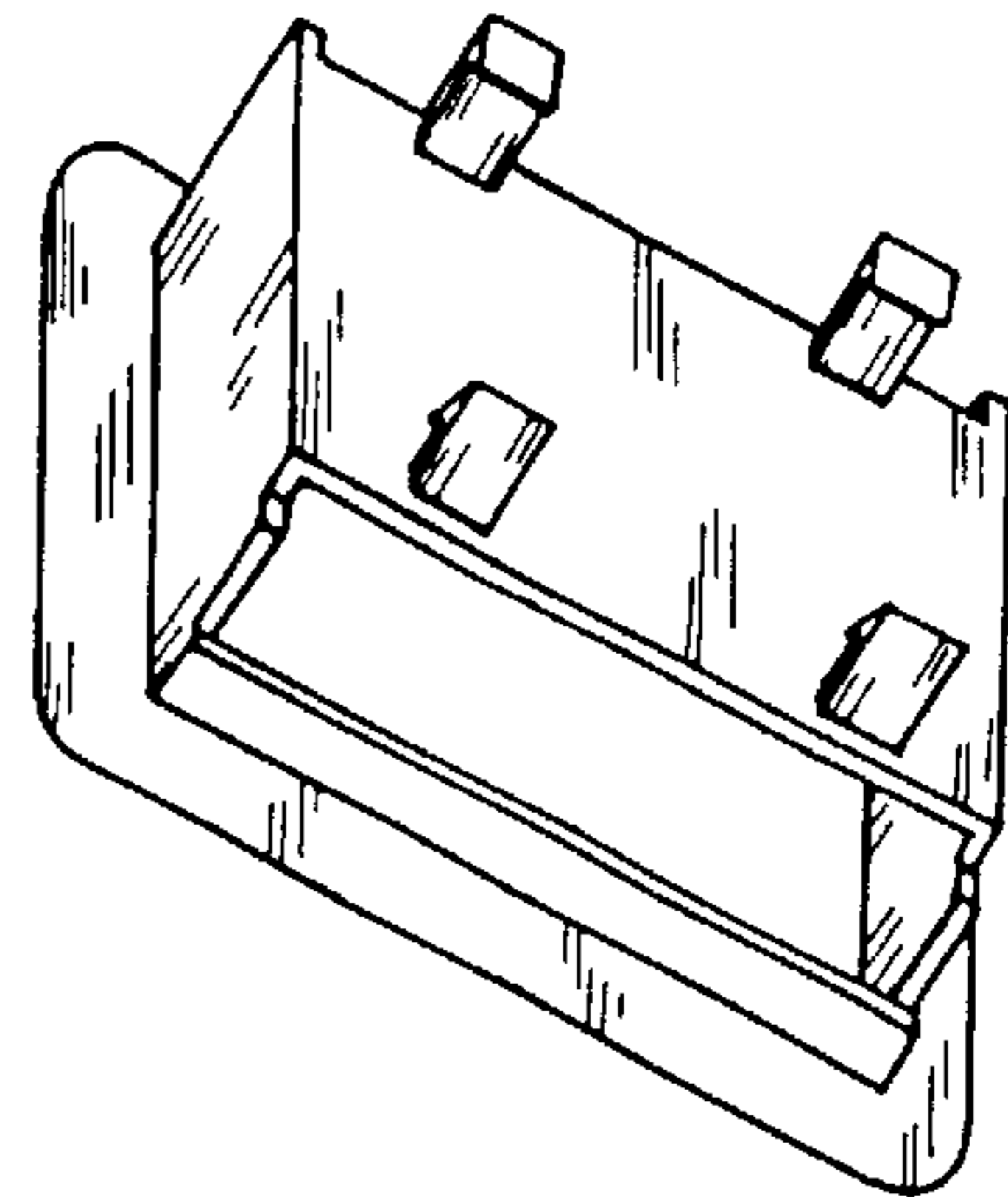


FIG. 12

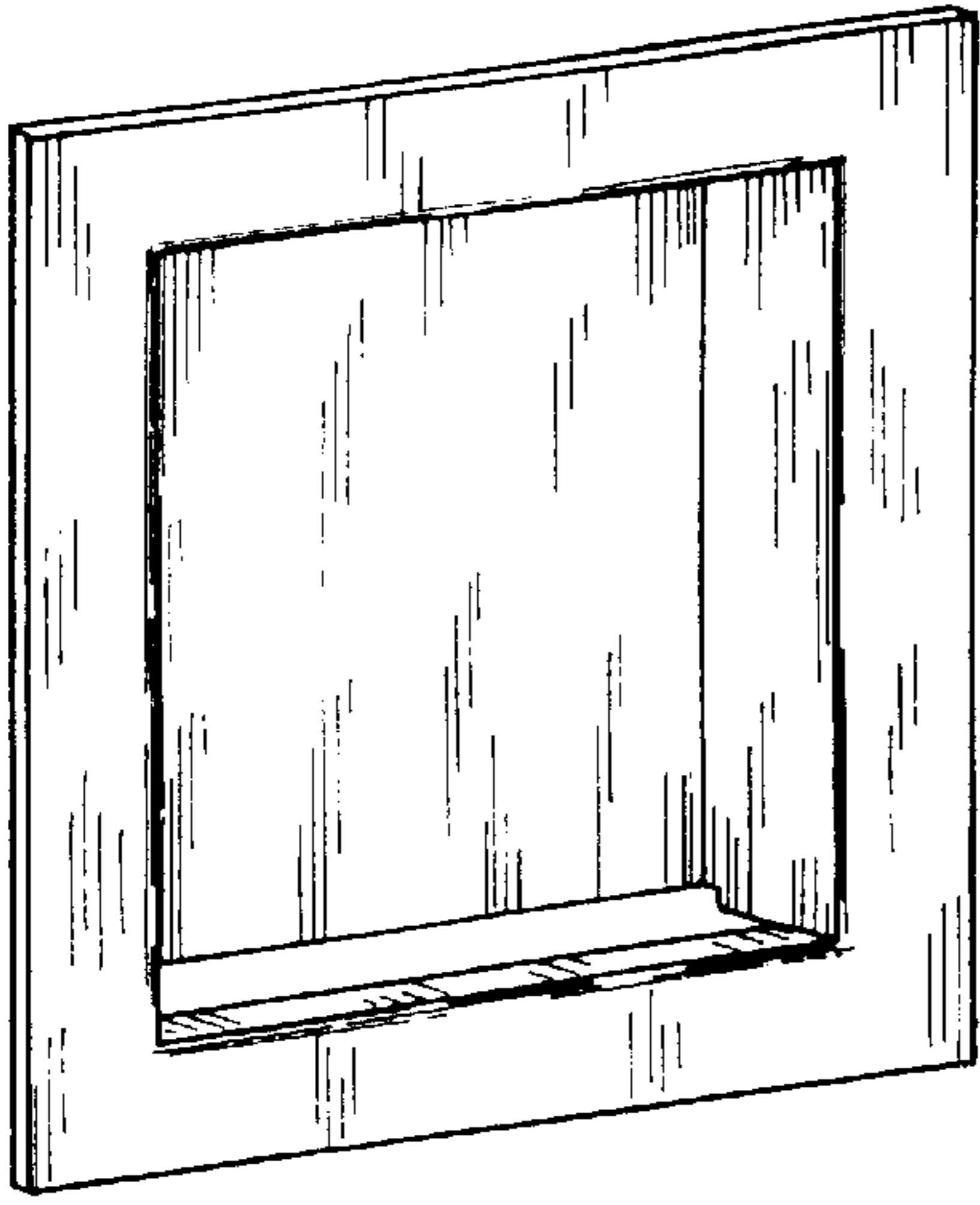


FIG. 13

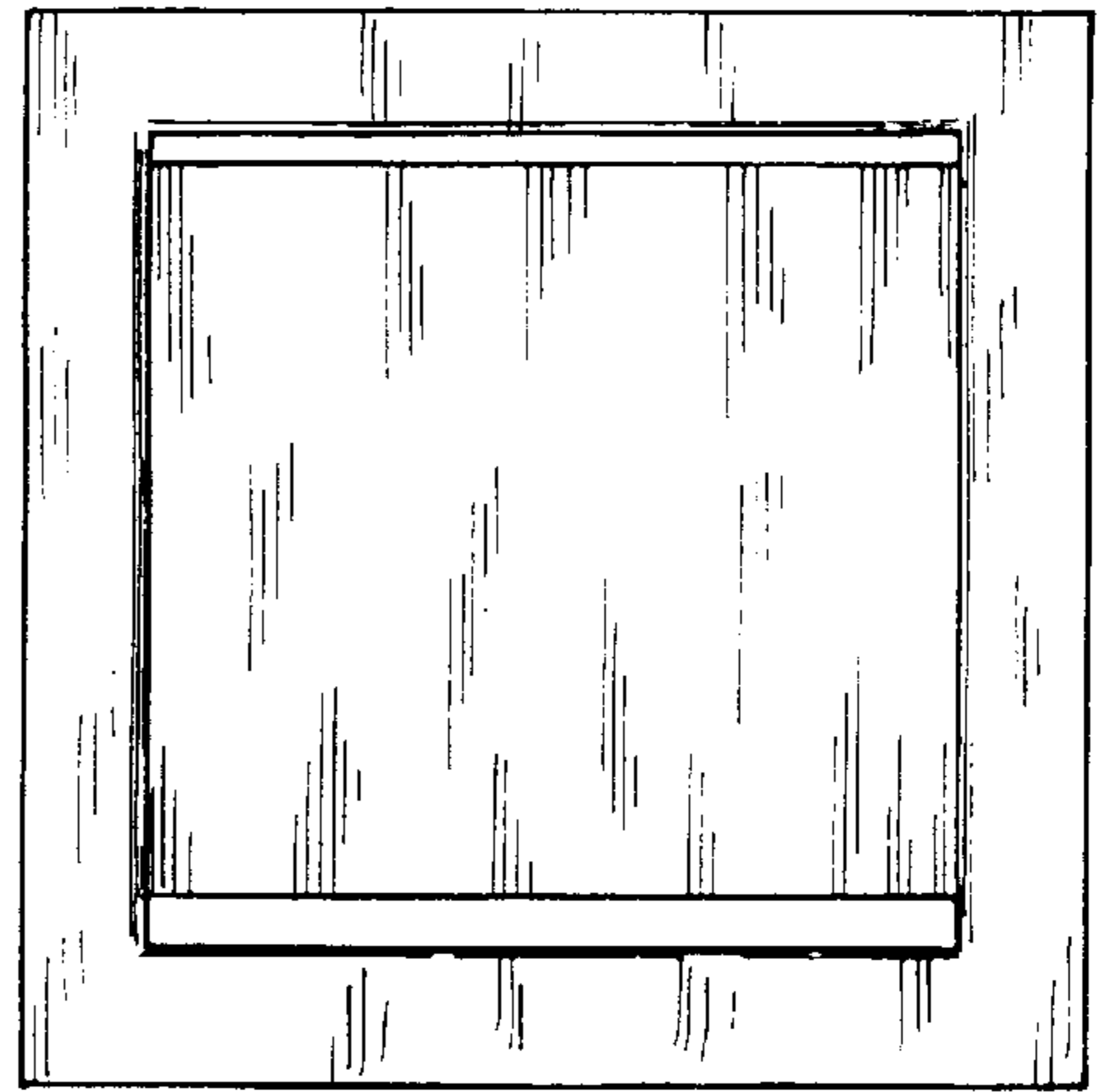


FIG. 14

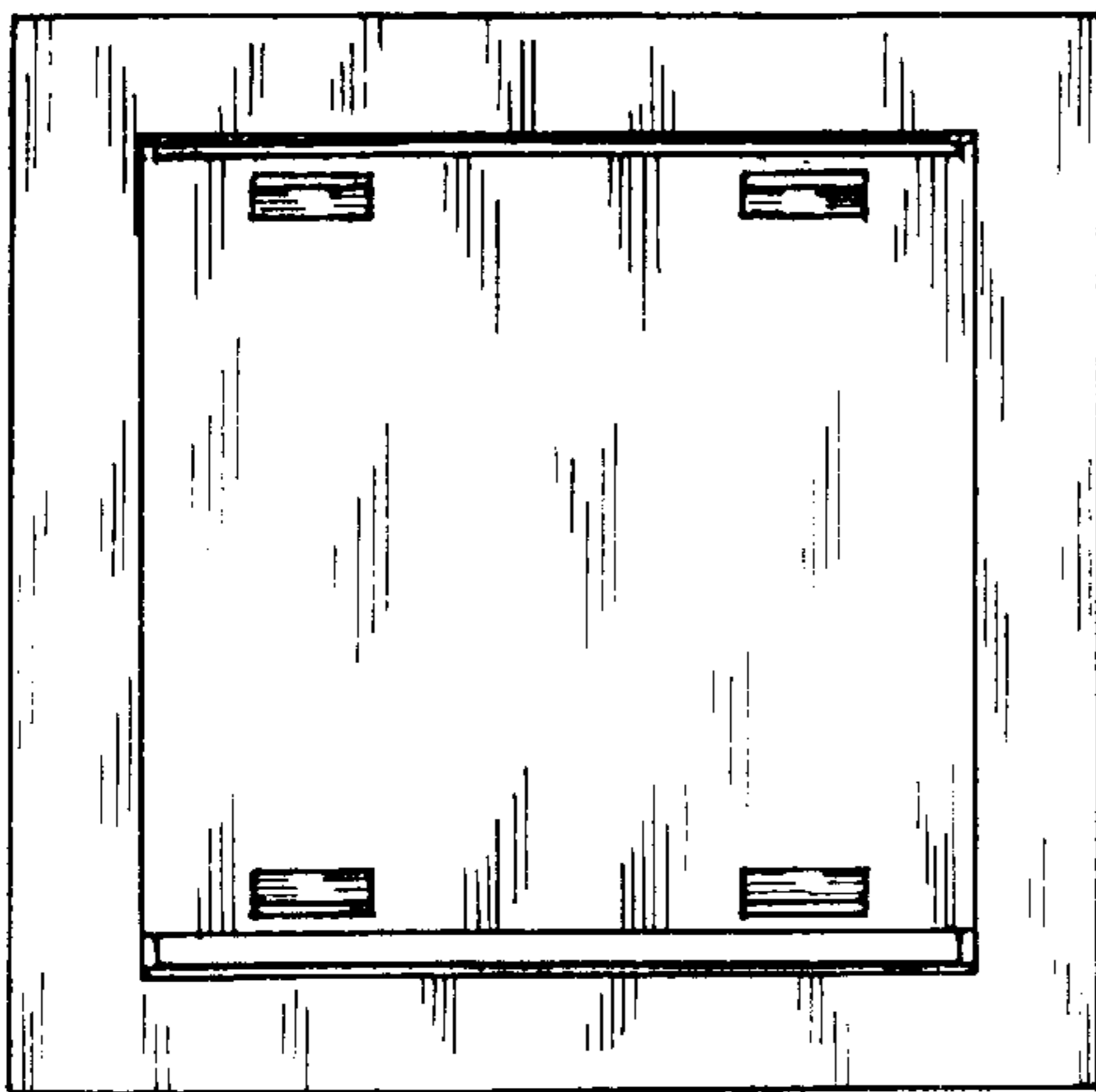


FIG. 15

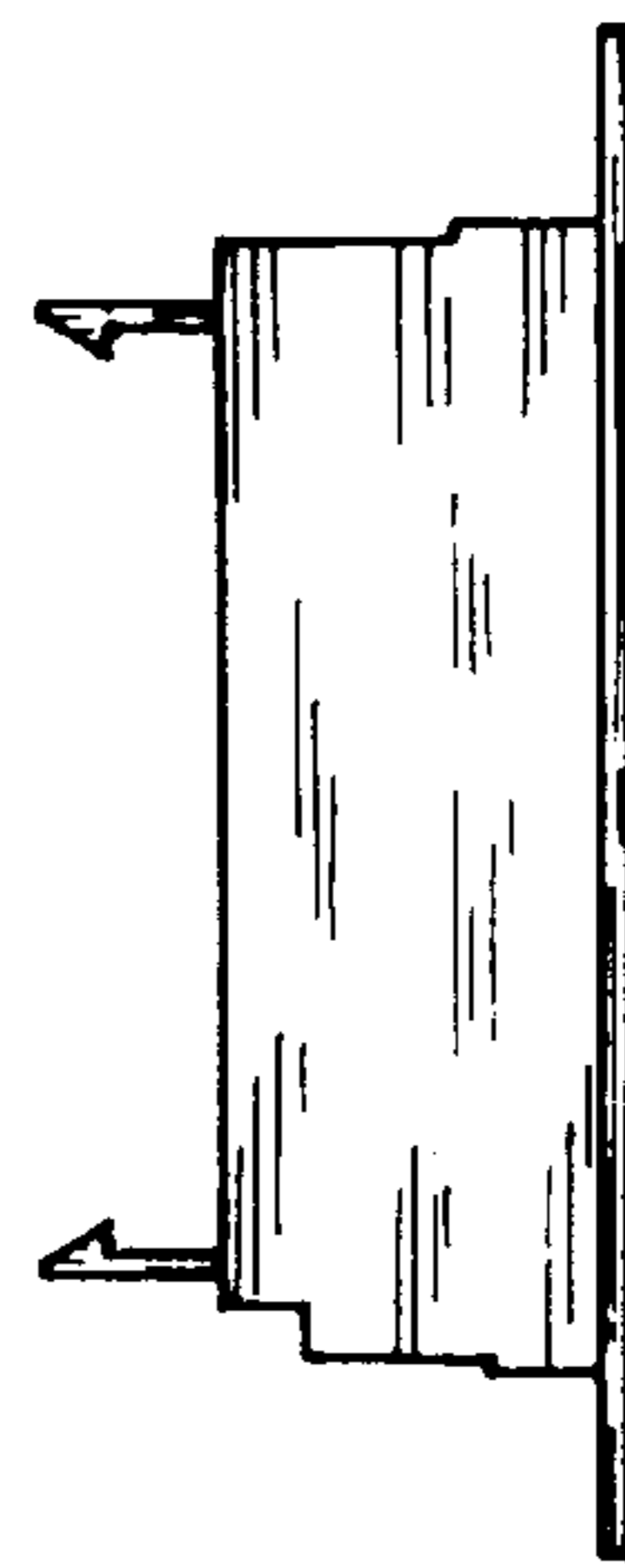


FIG. 16

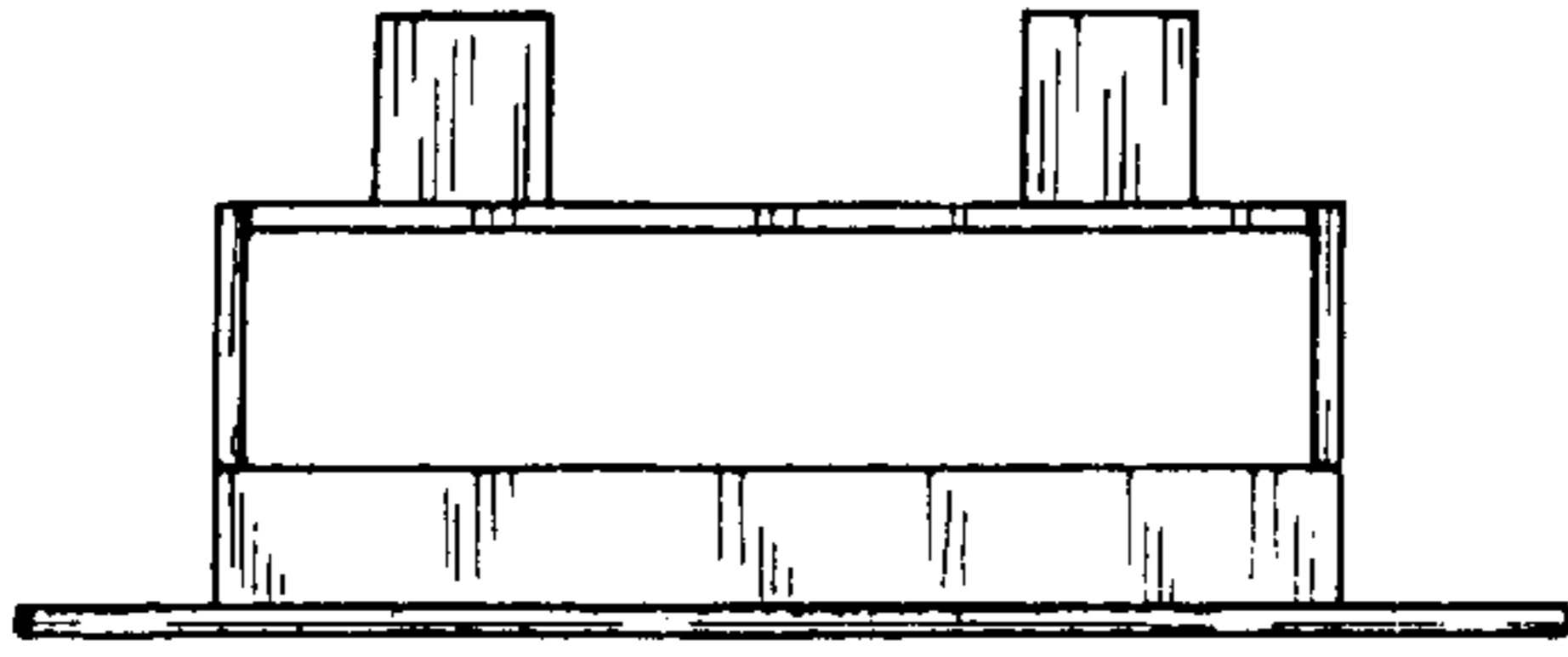


FIG. 17

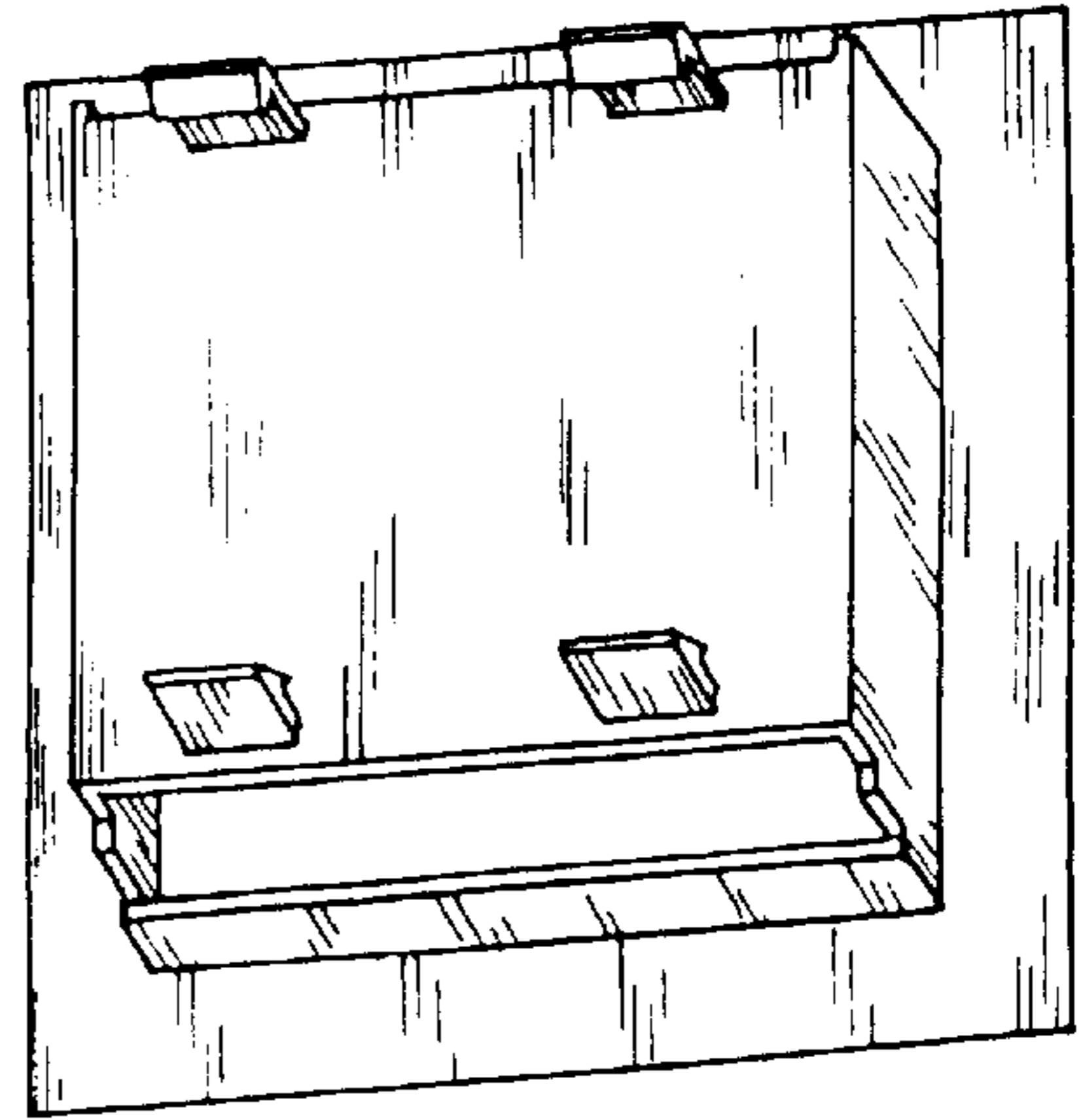


FIG. 18

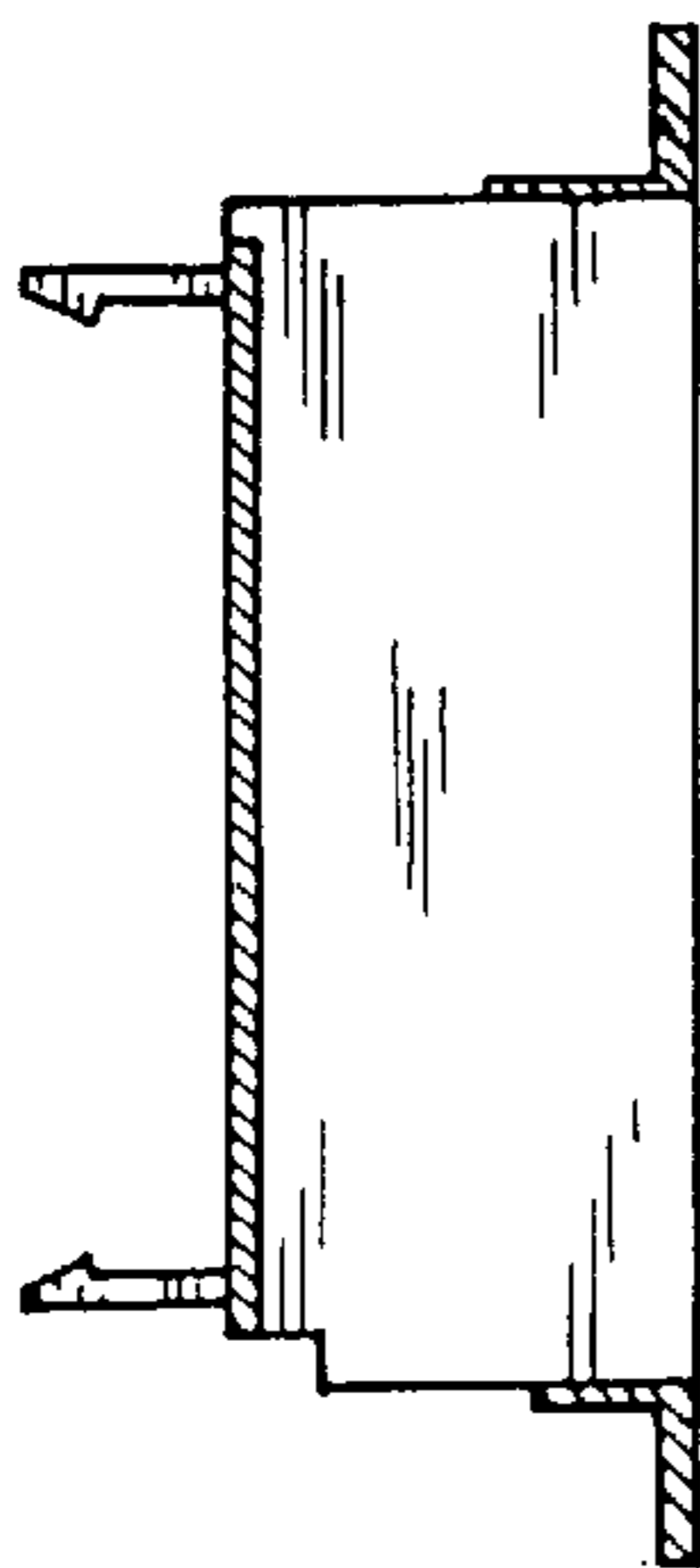


FIG. 19

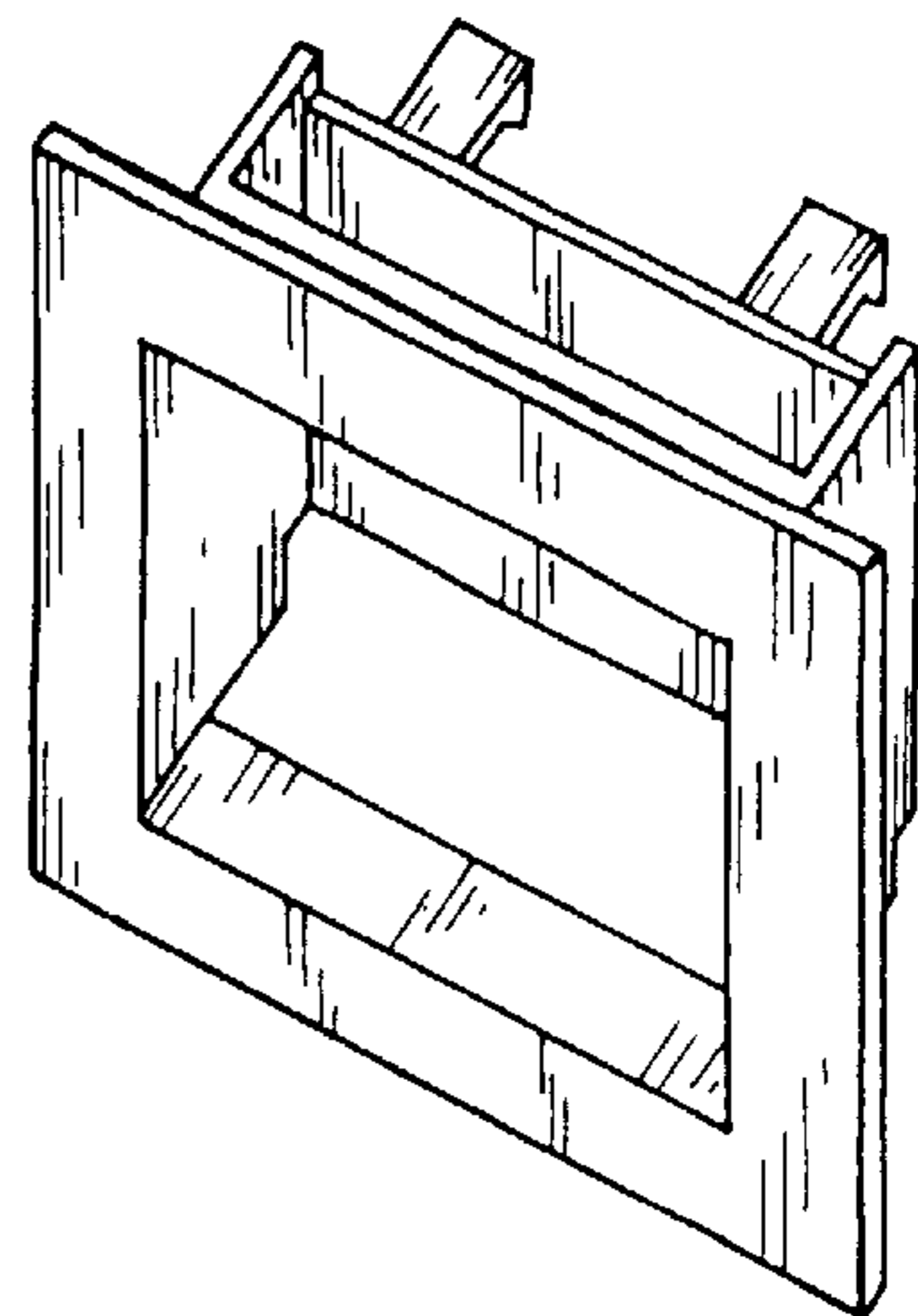


FIG. 20

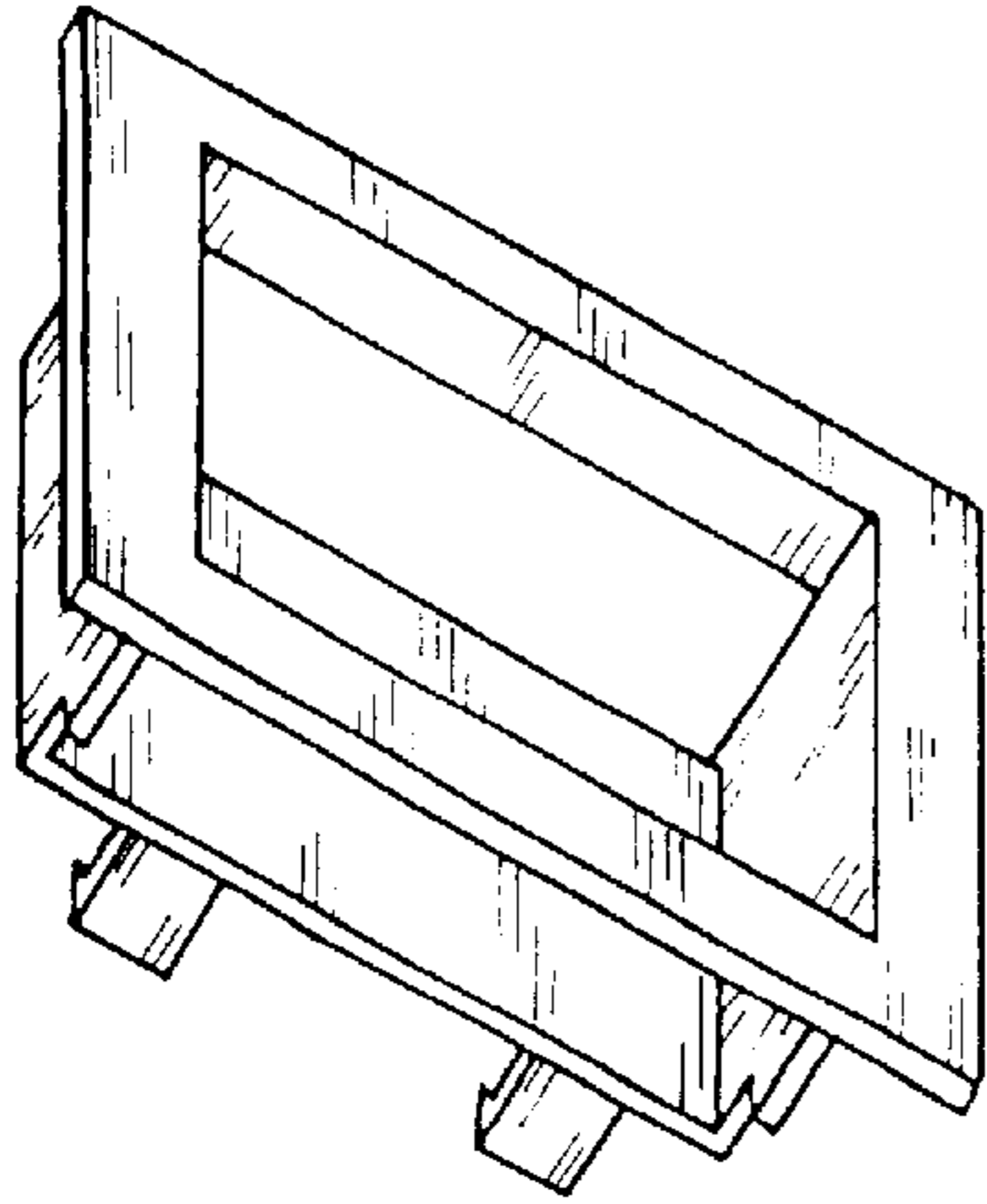


FIG. 21

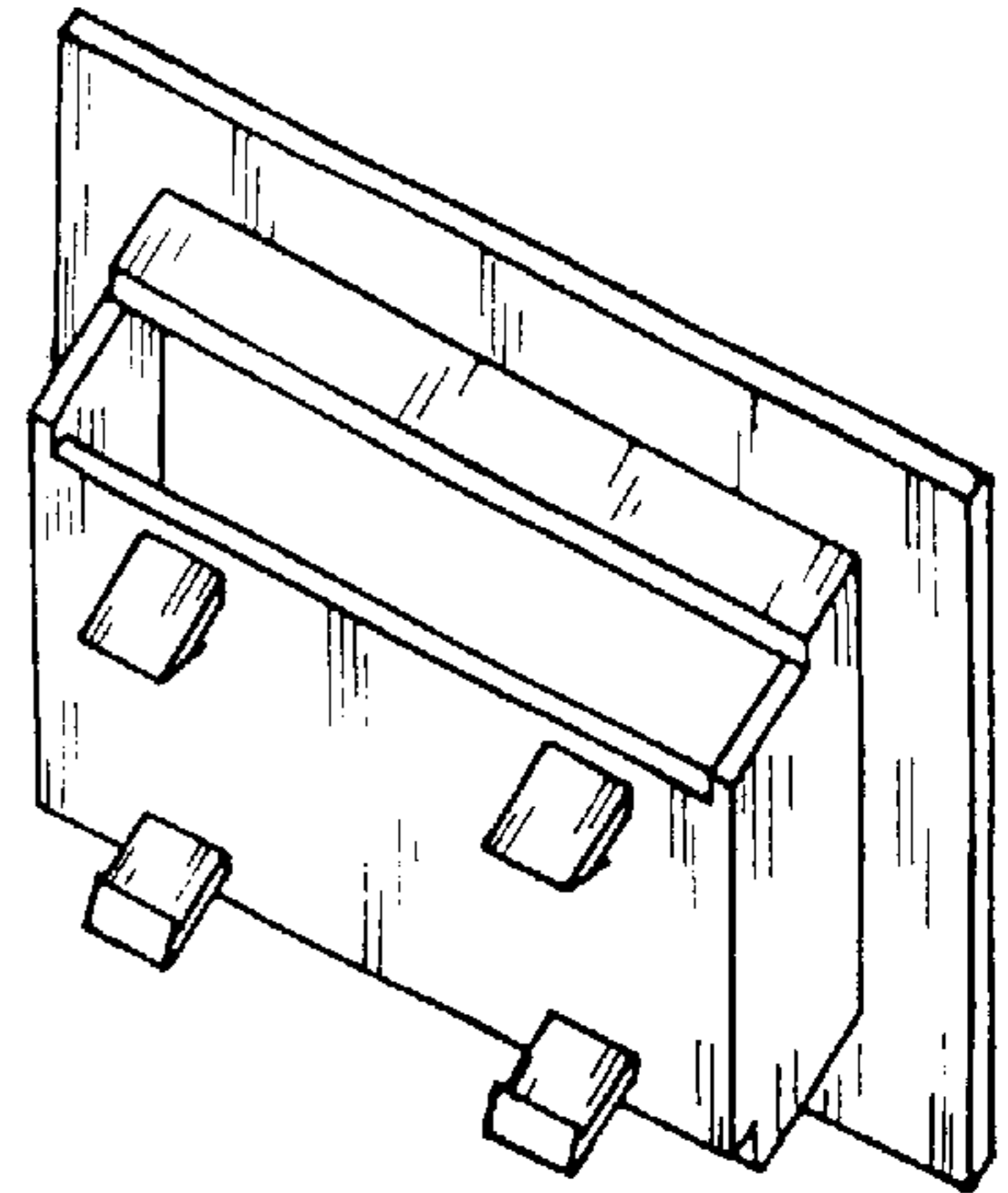


FIG. 22

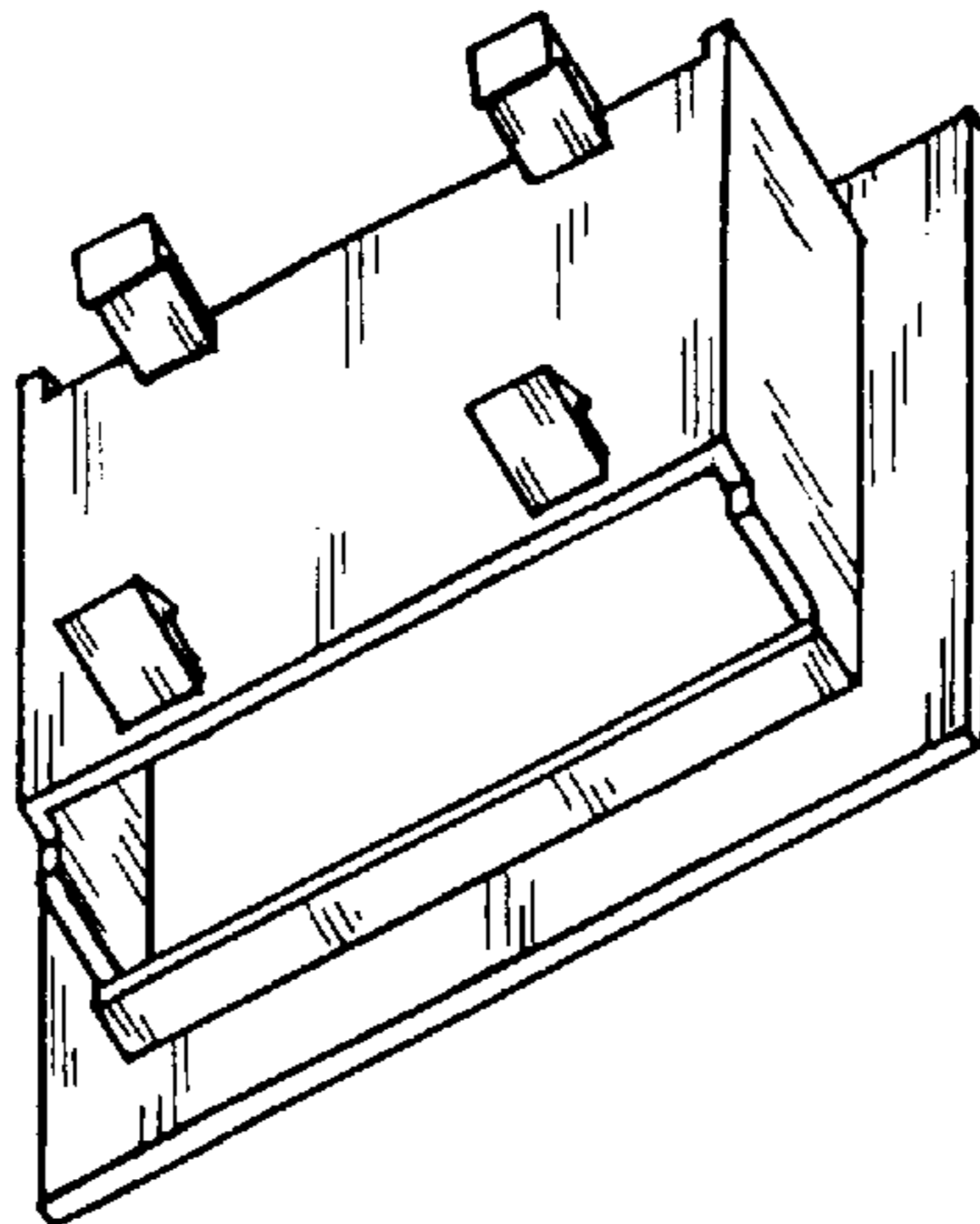


FIG. 23