



US00D453357S

(12) **United States Design Patent**
Salemi et al.

(10) **Patent No.:** **US D453,357 S**

(45) **Date of Patent:** **** Feb. 5, 2002**

(54) **CONCEALED FAKE SECURITY TAG ON A BOTTLE**

5,826,359 A * 10/1998 Thalenfeld 40/642.01
D428,802 S * 8/2000 Villano et al. D20/43

(75) Inventors: **Robert D. Salemi**, Ann Arbor; **Dennis J. Tate**, Grass Lake, both of MI (US)

* cited by examiner

(73) Assignee: **Brit Corporation**, Ypsilanti, MI (US)

Primary Examiner—Marcus A. Jackson
(74) *Attorney, Agent, or Firm*—James M. Deimen

(**) Term: **14 Years**

(57) **CLAIM**

(21) Appl. No.: **29/143,130**

The ornamental design for a concealed fake security tag on a bottle, as shown and described.

(22) Filed: **Jun. 7, 2001**

(51) **LOC (7) Cl.** **20-02**

(52) **U.S. Cl.** **D20/22**

(58) **Field of Search** D8/367; D20/19,
D20/22, 23, 27, 28, 43; 248/301, 304, 339,
317; 40/299, 1, 300–310

DESCRIPTION

FIG. 1 is a perspective view of the concealed fake security tag on a bottle showing my new design;

FIG. 2 is a front elevational view; and,

FIG. 3 is a back elevational view.

(56) **References Cited**

U.S. PATENT DOCUMENTS

2,747,538 A * 5/1956 Morse, Jr. et al. D20/43

1 Claim, 2 Drawing Sheets

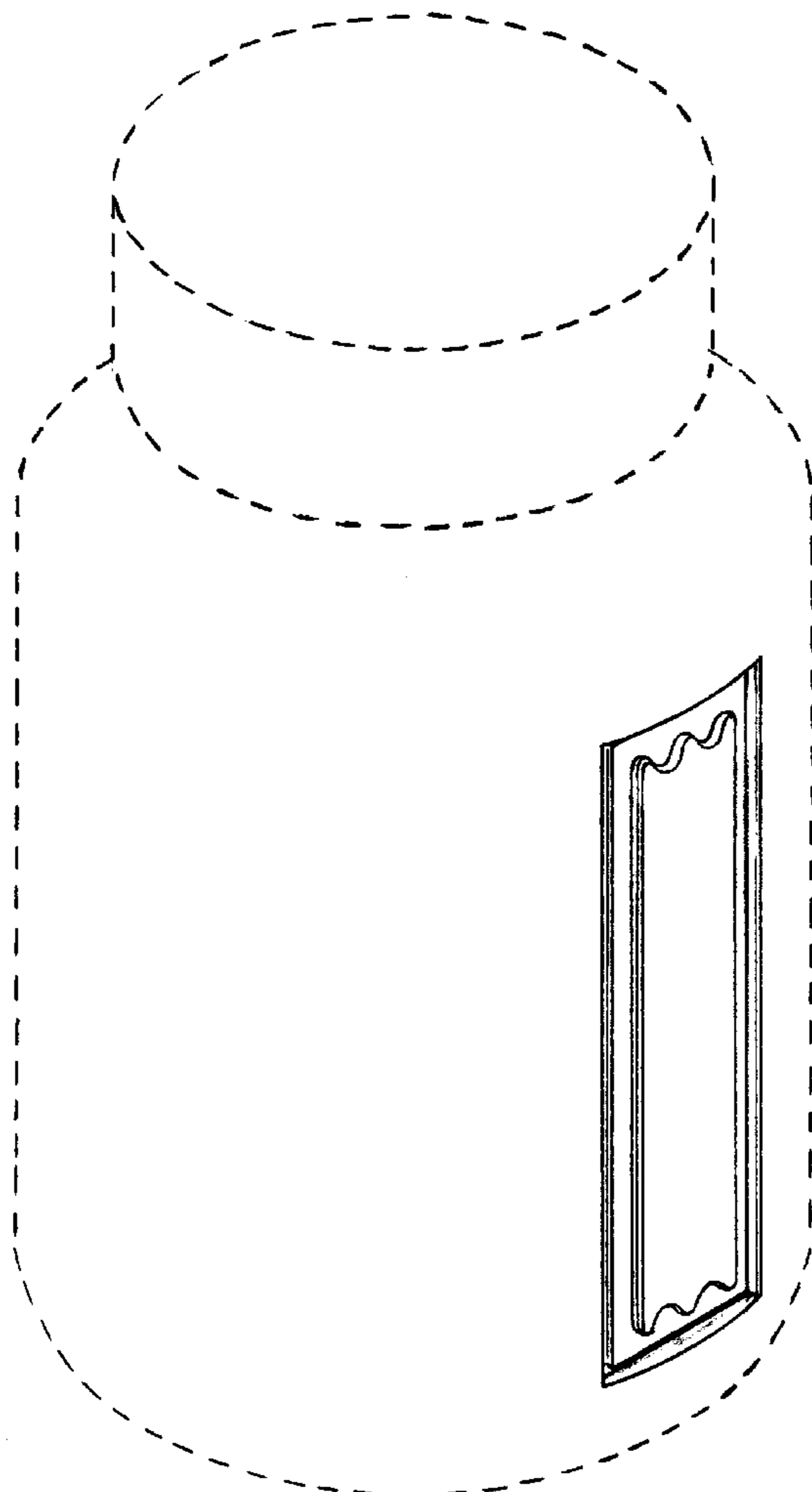


FIG 1

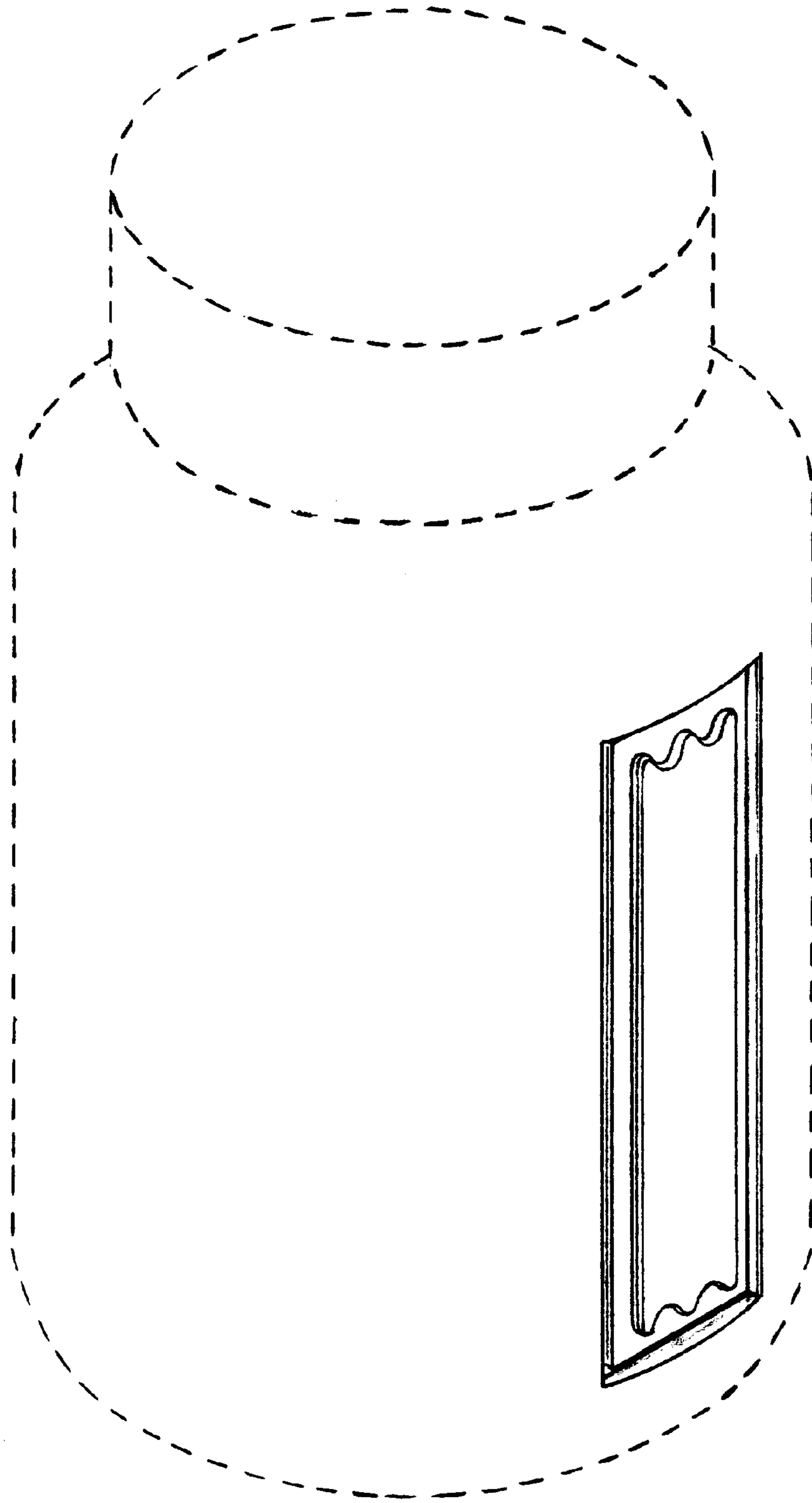


FIG 3

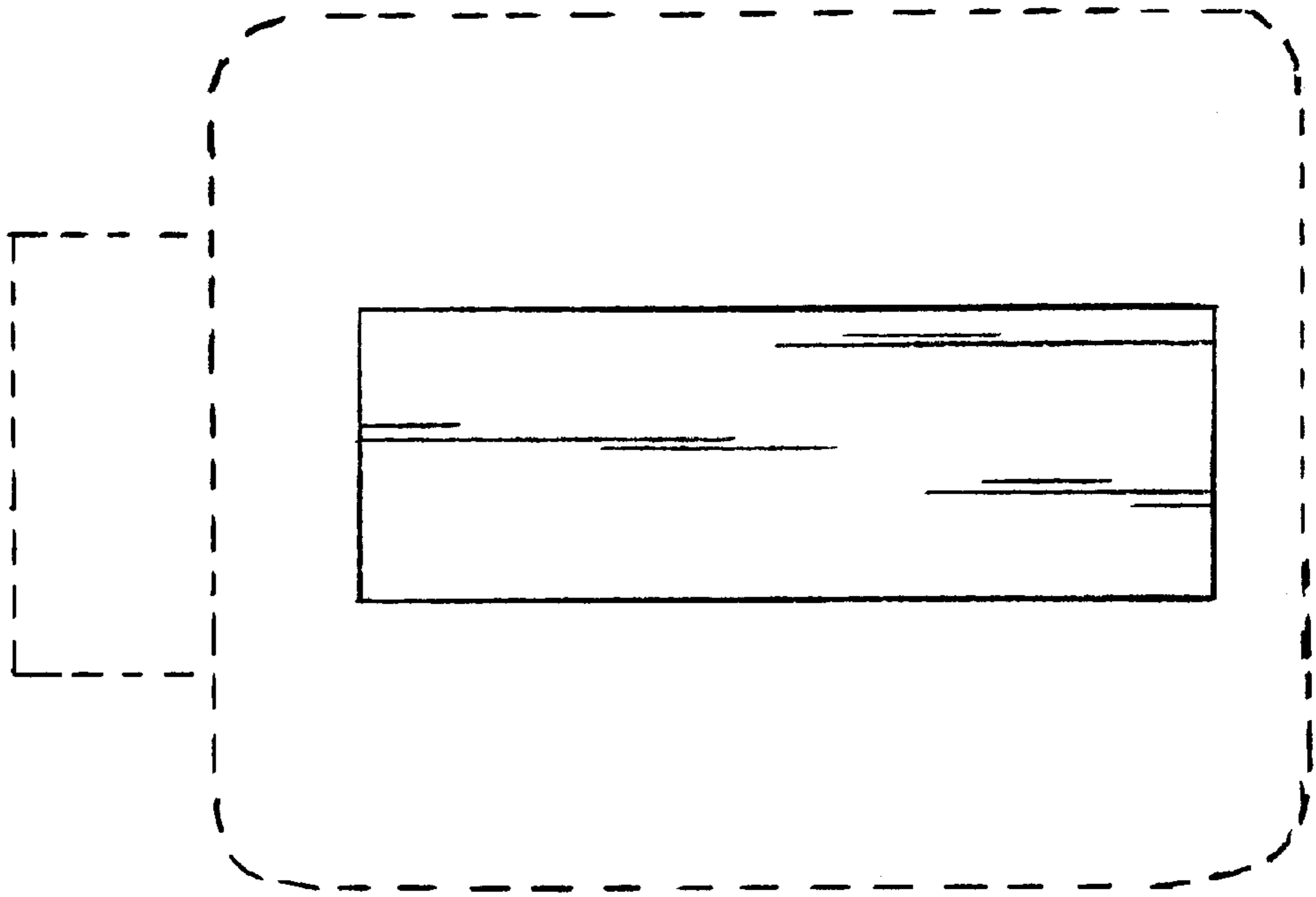


FIG 2

