



US00D453355S

(12) **United States Design Patent**  
**Potter et al.**

(10) **Patent No.:** **US D453,355 S**

(45) **Date of Patent:** **\*\* Feb. 5, 2002**

(54) **COMBINATION STICKER AND TAPE DISPENSER**

4,452,663 A \* 6/1984 Heaton ..... 156/577  
D280,738 S \* 9/1985 Grassi ..... D19/68  
5,236,540 A \* 8/1993 Shi ..... 156/527

(76) Inventors: **Thomas Potter**, 11411 Morgan La.,  
Garden Grove, CA (US) 92840; **Stan Fear**, 2144 Alona St., Santa Ana, CA  
(US) 92706

\* cited by examiner

*Primary Examiner*—Doris V. Coles

*Assistant Examiner*—Elizabeth A. Albert

(74) *Attorney, Agent, or Firm*—Drummond & Duckworth

(\*\*) Term: **14 Years**

(57) **CLAIM**

(21) Appl. No.: **29/129,624**

The ornamental design for a combination sticker and tape dispenser, as shown and described.

(22) Filed: **Sep. 19, 2000**

**DESCRIPTION**

(51) **LOC (7) Cl.** ..... **19-02**

(52) **U.S. Cl.** ..... **D19/69**

(58) **Field of Search** ..... D19/65-70; 156/523,  
156/527, 540, 576, 577; 206/395-398, 411,  
415; 225/6-7, 9, 25, 34, 45-46, 56, 65,  
77, 89; 242/588.1-588.6, 590; 312/34.8

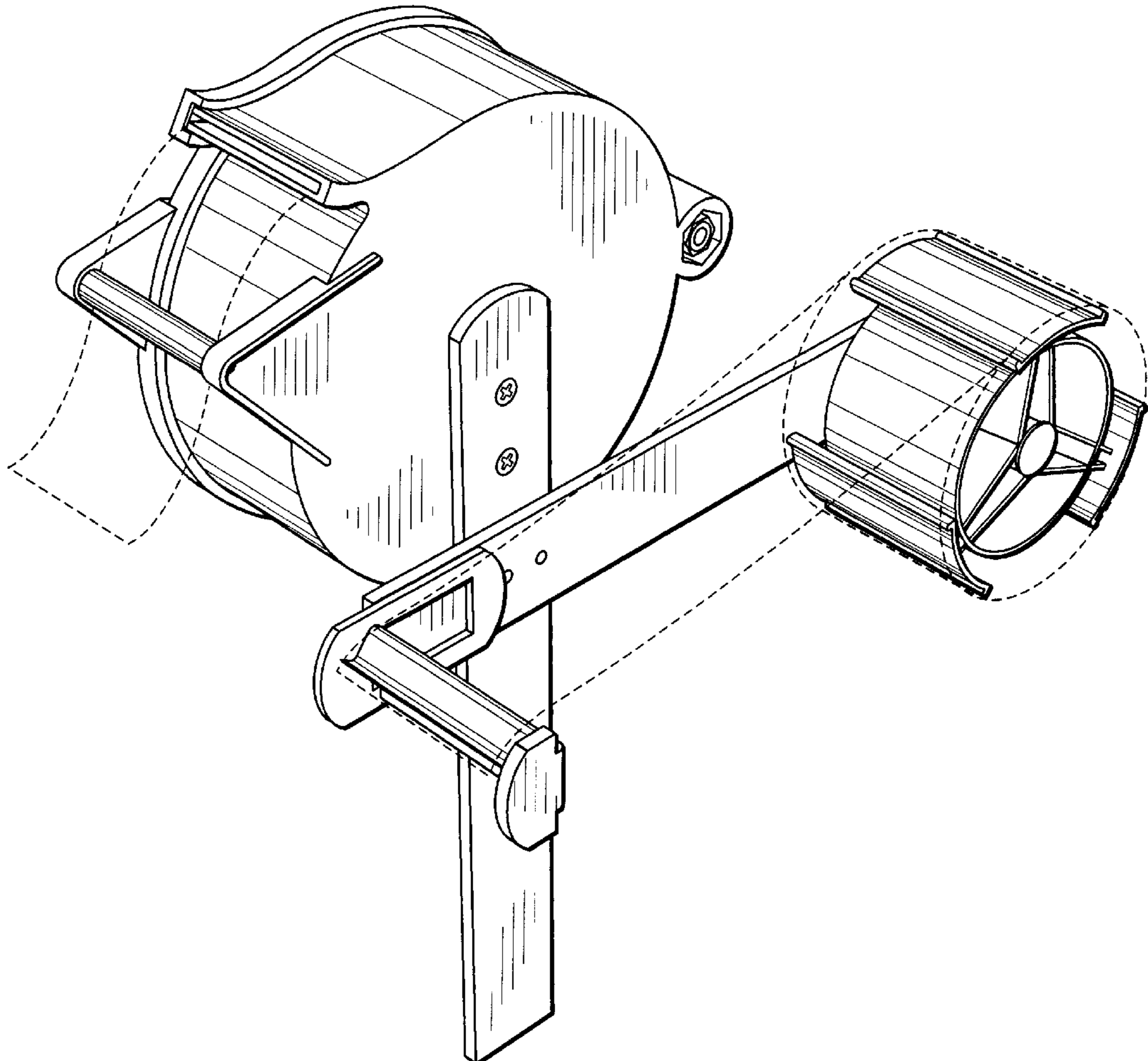
FIG. 1 is a left elevation view of the combination sticker and tape dispenser, showing my new design; FIG. 2 is front elevation view thereof; FIG. 3 is a right elevation view thereof; FIG. 4 is a rear elevation view thereof; FIG. 5 is a top plan view thereof; FIG. 6 is a bottom plan view thereof; and, FIG. 7 is a perspective view thereof.

(56) **References Cited**

**U.S. PATENT DOCUMENTS**

D227,810 S \* 7/1973 Boyce ..... D19/69  
3,753,839 A \* 8/1973 Funke et al. .... 156/540

**1 Claim, 4 Drawing Sheets**



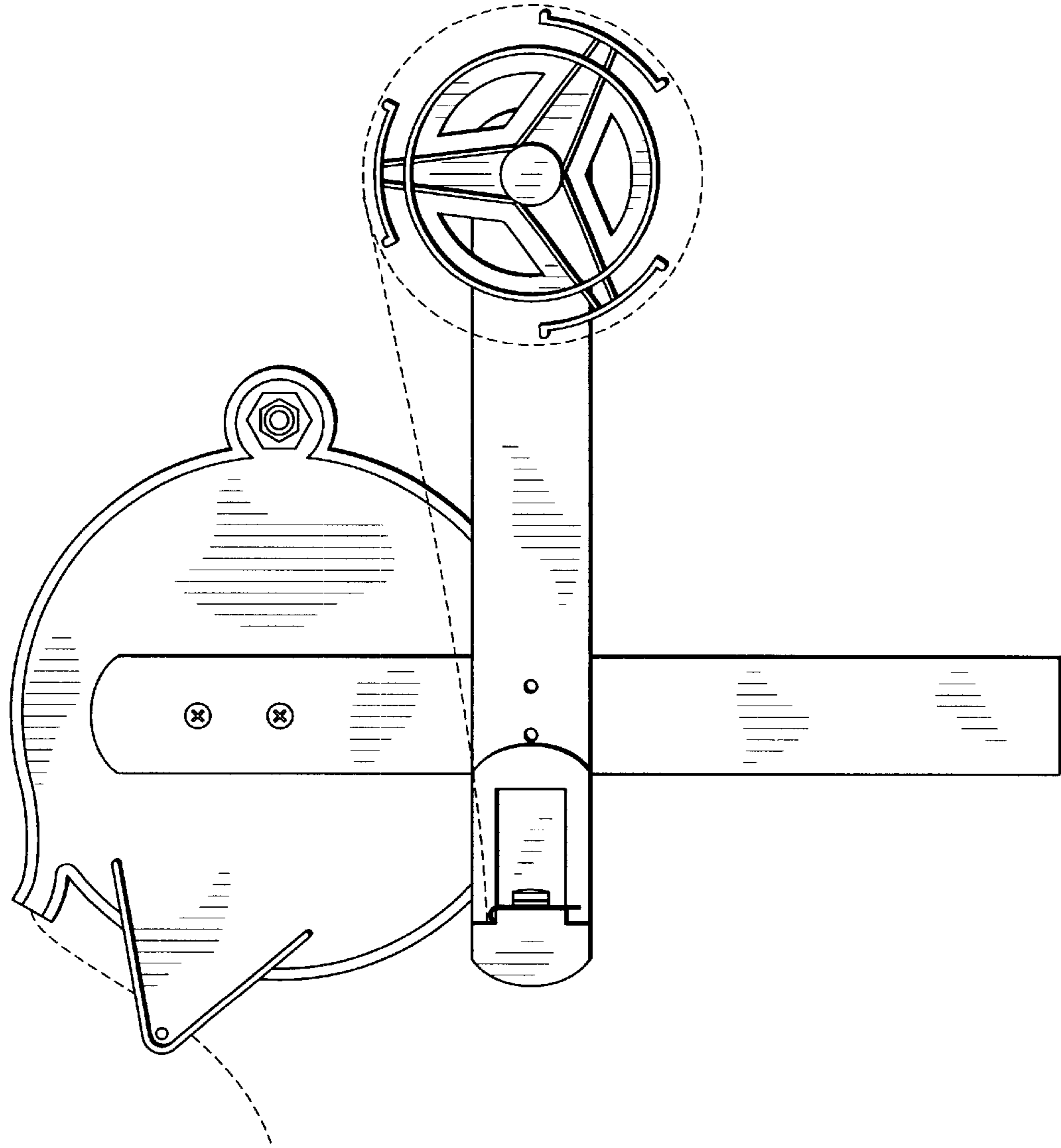


FIG. 2

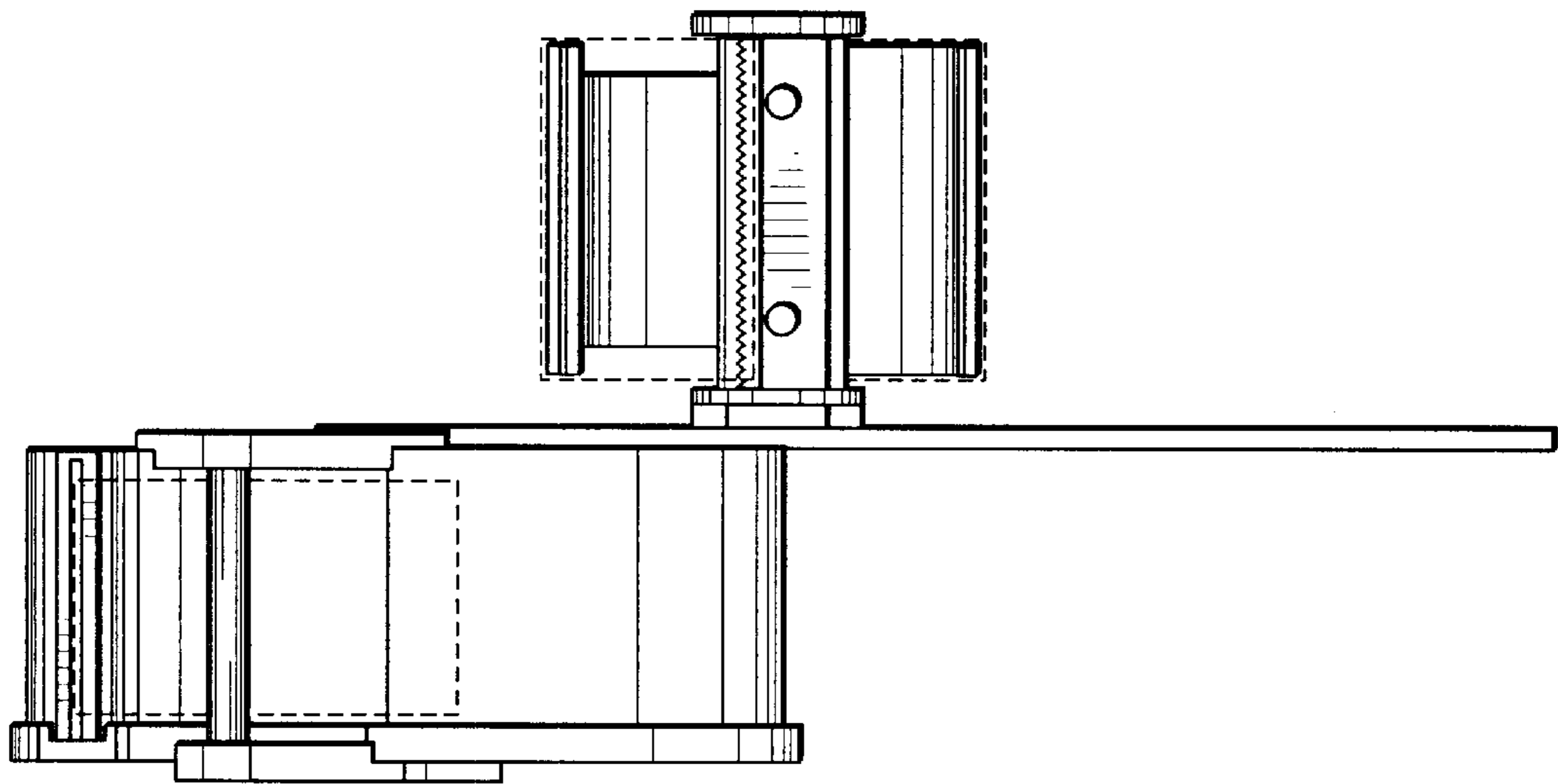


FIG. 1

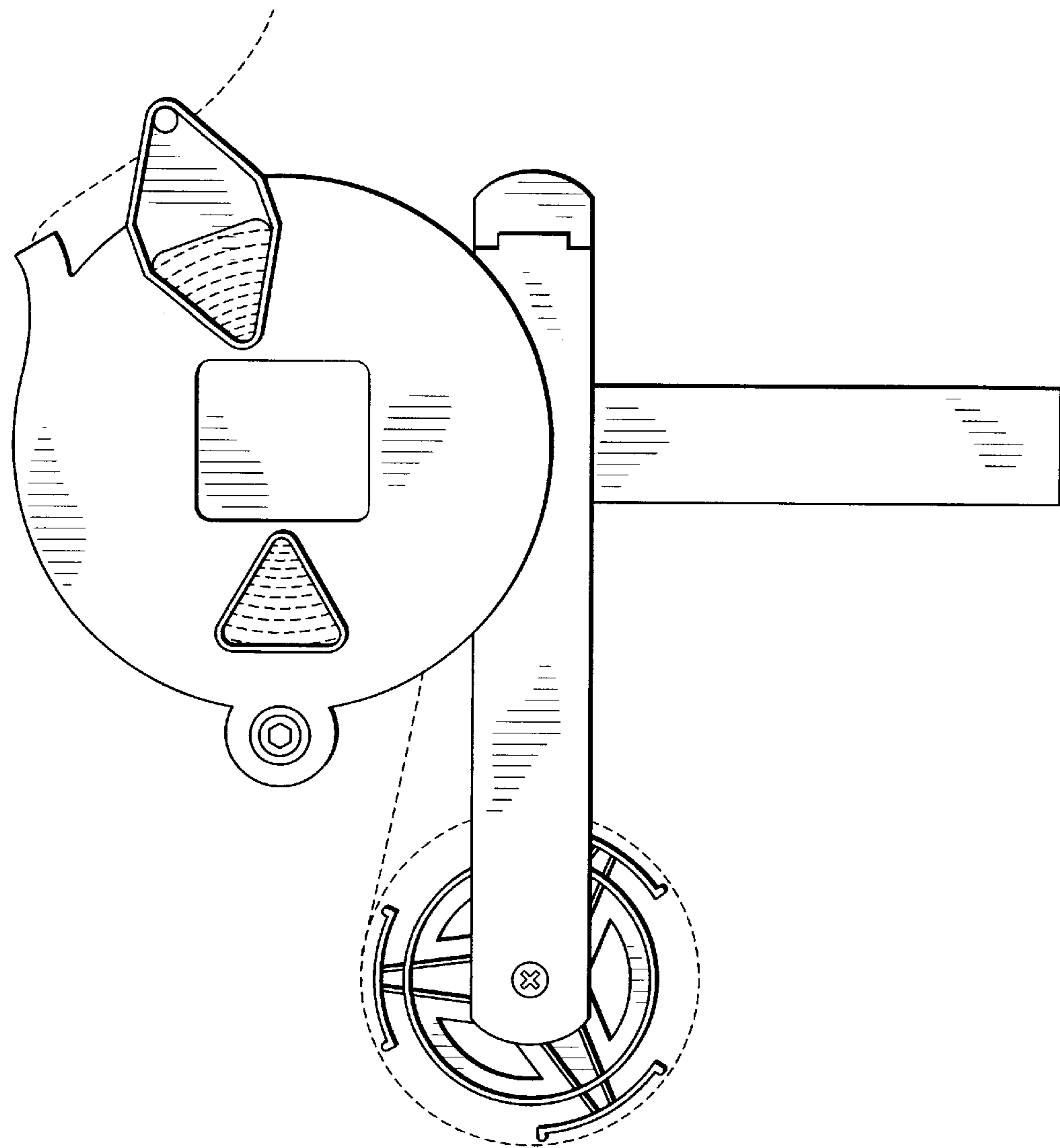


FIG. 4

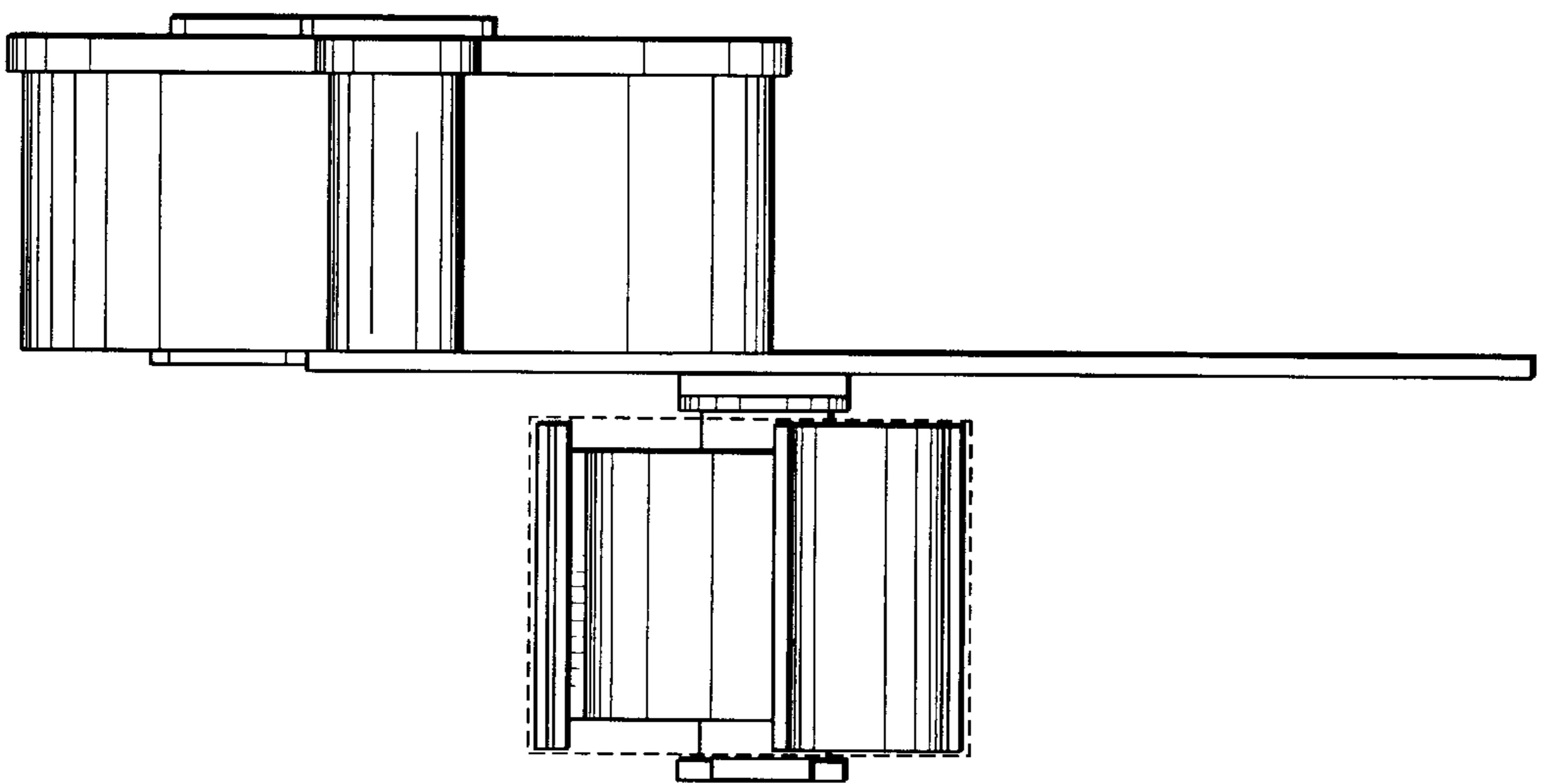


FIG. 3

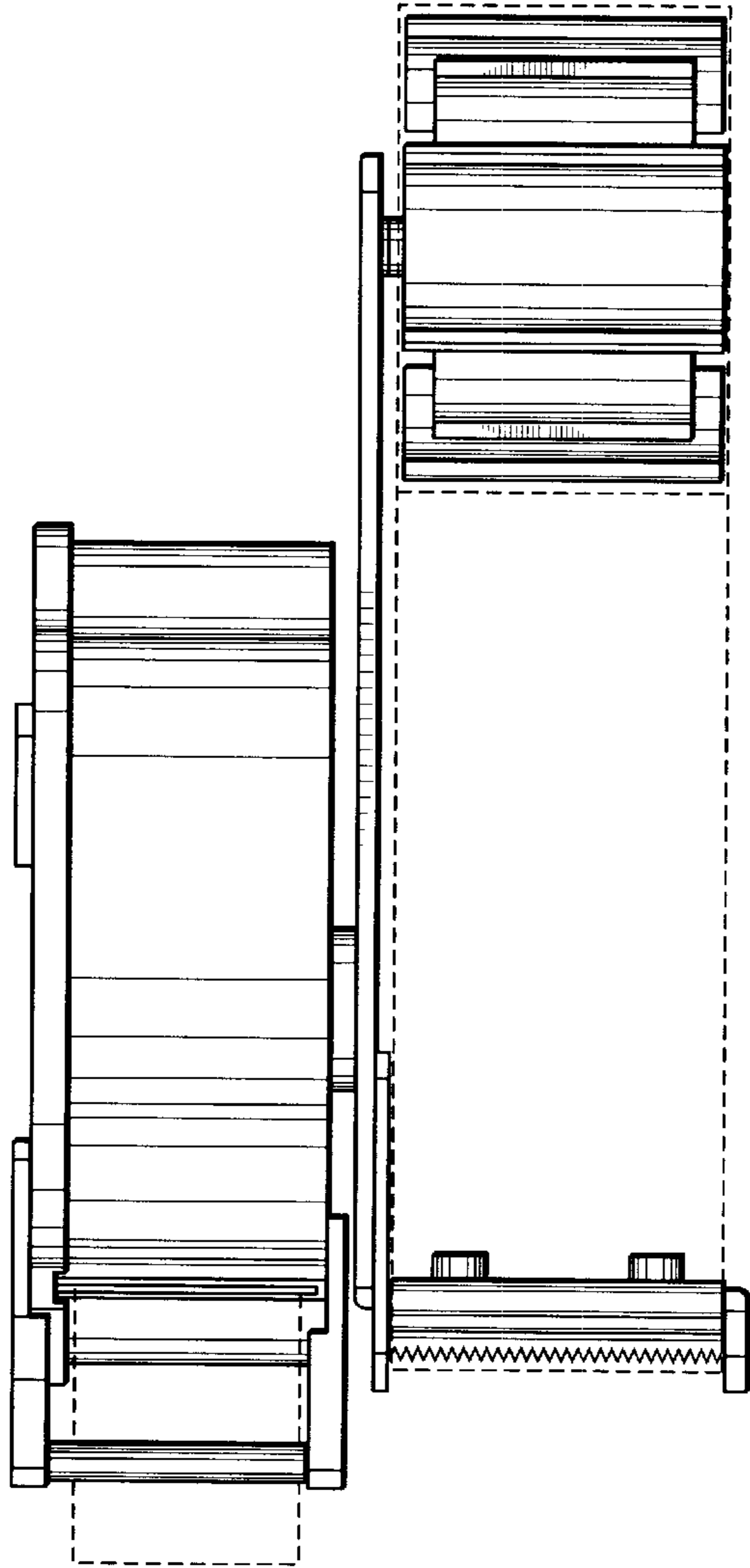


FIG. 5

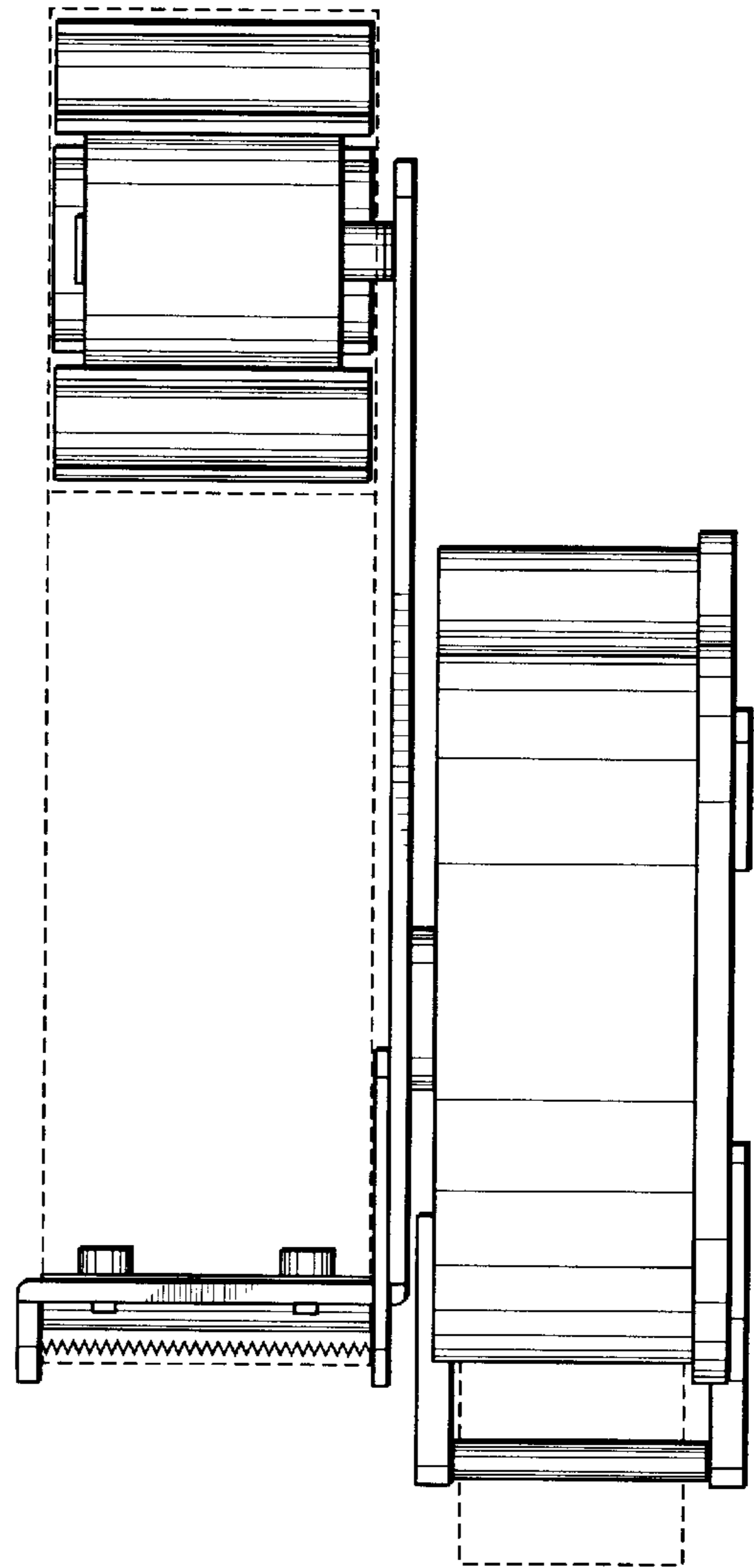


FIG. 6

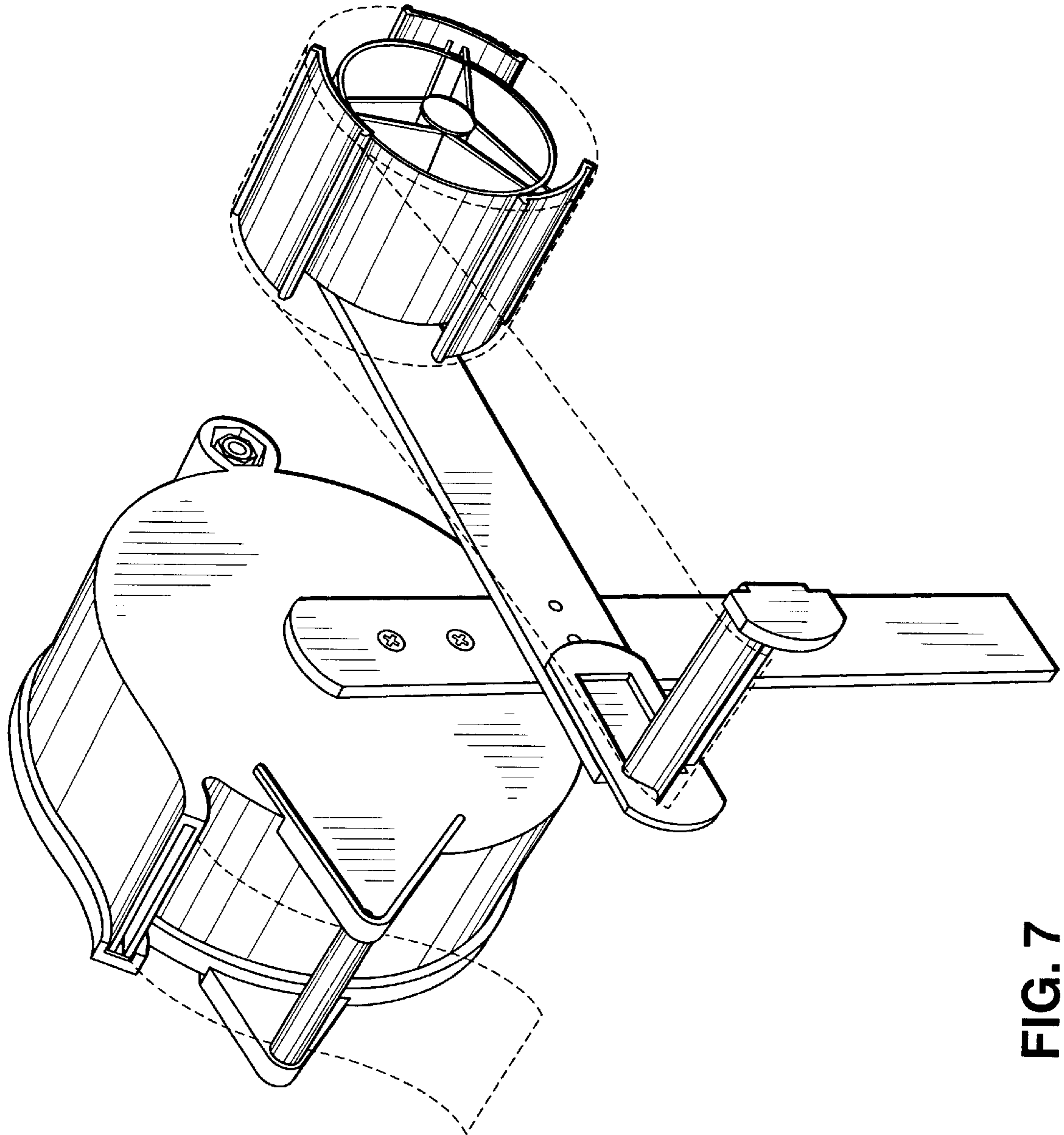


FIG. 7