



US00D453354S

(12) **United States Design Patent**
Ikenaga et al.

(10) **Patent No.:** **US D453,354 S**

(45) **Date of Patent:** **** Feb. 5, 2002**

(54) **INPUT PEN WITH BALL-POINT PEN**

(75) Inventors: **Takashi Ikenaga**, Tokyo; **Kazuhiko Ono**, Hiratsuka, both of (JP)

(73) Assignees: **Sony Kabushki Kaisha**, Tokyo; **Pilot Precision Kabushiki Kaisha**, Hiratsuka, both of (JP)

(**) Term: **14 Years**

(21) Appl. No.: **29/139,714**

(22) Filed: **Apr. 4, 2001**

(30) **Foreign Application Priority Data**

Oct. 6, 2000 (JP) 12-028286

(51) **LOC (7) Cl.** **19-06**

(52) **U.S. Cl.** **D19/36; D19/48; D14/411**

(58) **Field of Search** D19/35, 36, 41-51, D19/53-58, 81-85; D14/411; 401/6, 7, 88, 52, 195, 202, 207, 209, 243-247, 29-34, 37, 213; 178/19.01-19.07, 18; 345/179-183, 157, 166

(56) **References Cited**

U.S. PATENT DOCUMENTS

- D. 307,421 * 4/1990 Tedham et al. D14/411
- D. 356,306 * 3/1995 Ady et al. D14/411
- D. 389,131 * 1/1998 Nagaoka D14/411
- D. 442,632 * 5/2001 Ono D19/36

- D. 443,300 * 6/2001 Kim et al. D19/36
- 4,922,236 * 5/1990 Heady 345/166
- 5,247,137 * 9/1993 Epperson 178/19.04
- 5,296,838 * 3/1994 Suzuki 345/157
- 5,635,682 * 6/1997 Cherdak et al. 178/18
- 5,850,059 * 12/1998 Yoshimura 178/19.01

* cited by examiner

Primary Examiner—Martie K. Holtje

(74) *Attorney, Agent, or Firm*—Ladas & Parry

(57) **CLAIM**

We claim the ornamental design for an input pen with ball-point pen, as shown an described.

DESCRIPTION

FIG. 1 is top/front/right-side perspective view of an input pen with ball-point pen showing our new design;

FIG. 2 is a top/front/right-side perspective view of a portion thereof with left-side portion and a right-side, cap portion removed;

FIG. 3 is a right side elevational view, the left side view being a mirror image thereof;

FIG. 4 is a front elevational view thereof;

FIG. 5 is a rear elevational view thereof;

FIG. 6 is a bottom plan view thereof;

FIG. 7 is a top plan view thereof; and,

FIG. 8 is an elevational view of FIG. 2, the front, rear and opposite side being identical thereto.

1 Claim, 2 Drawing Sheets

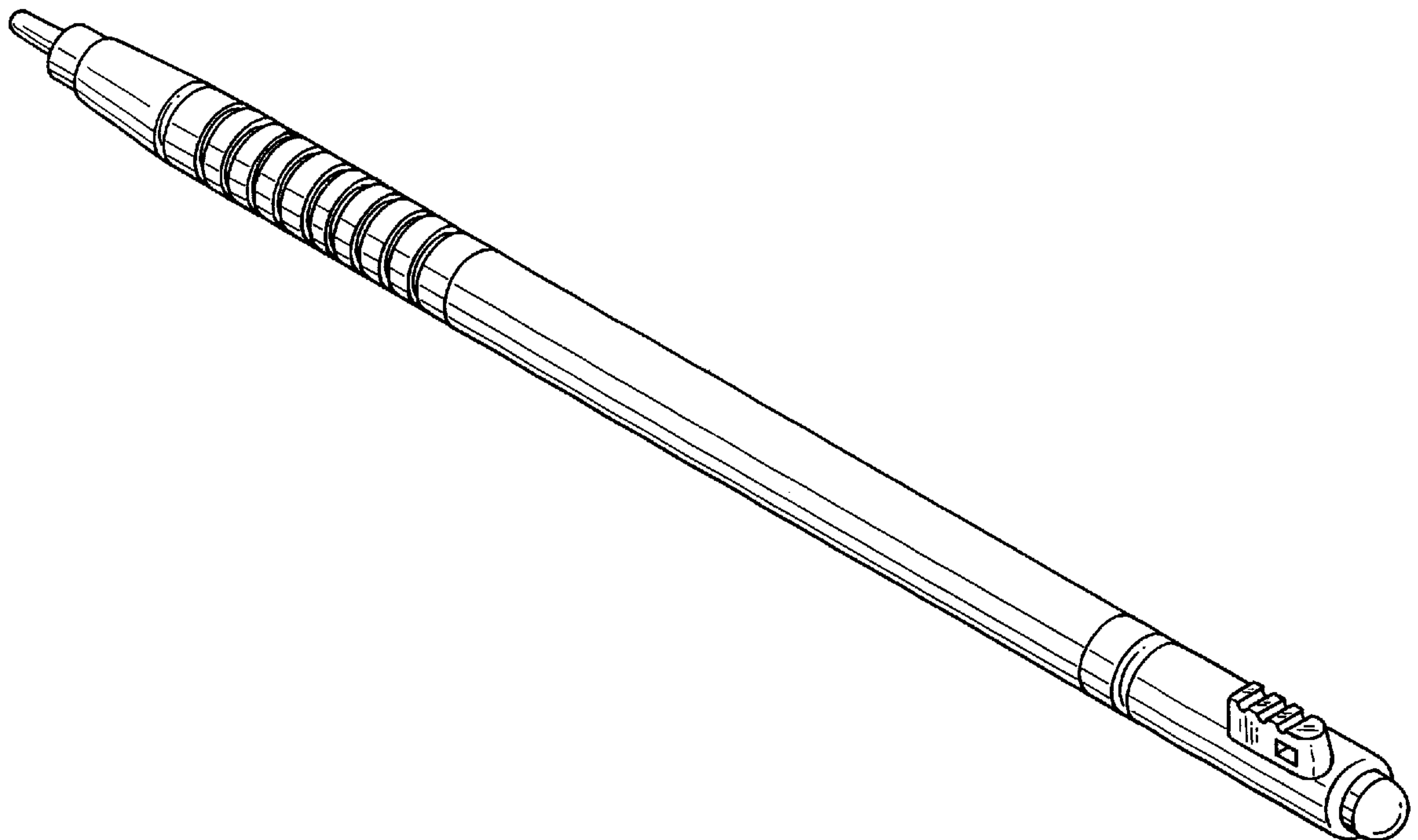


FIG. 1

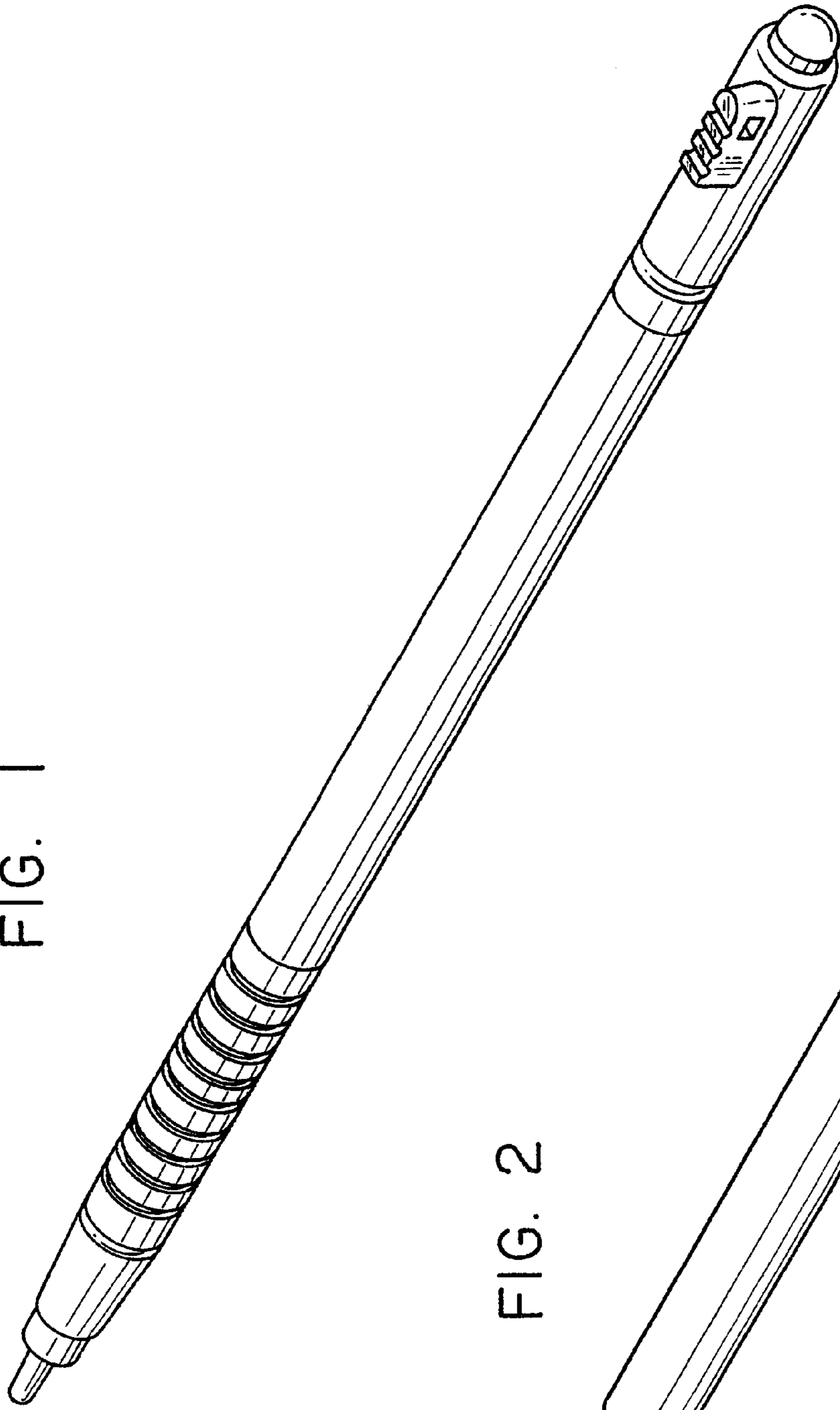


FIG. 2

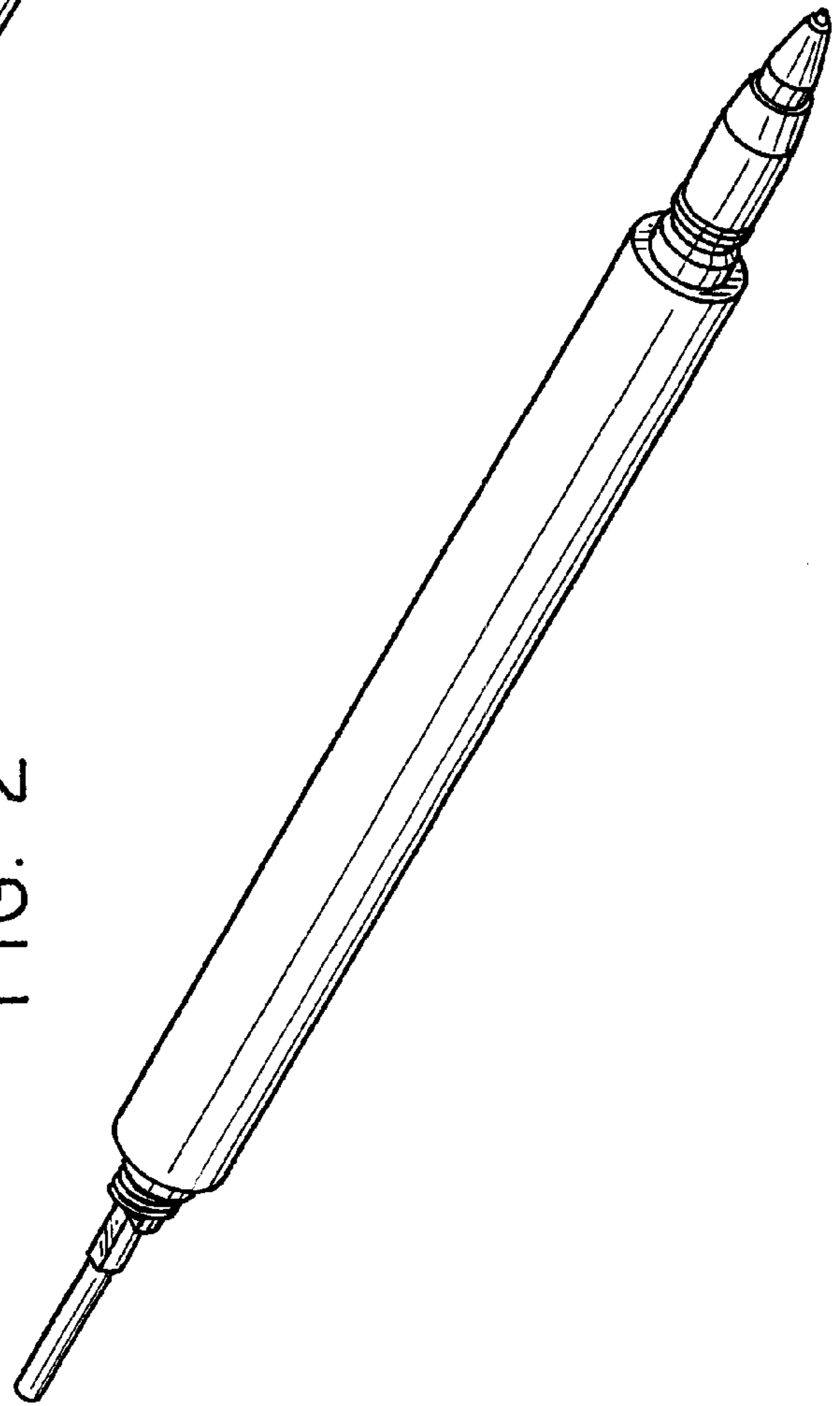


FIG. 3

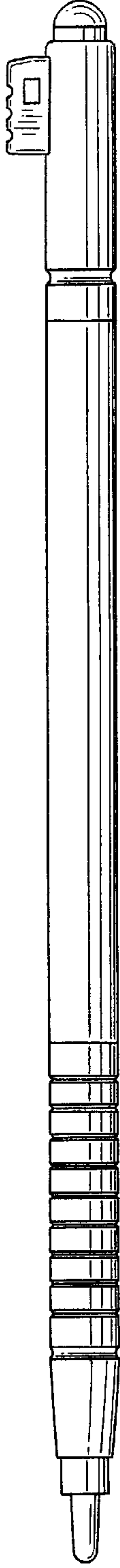


FIG. 4



FIG. 5



FIG. 6

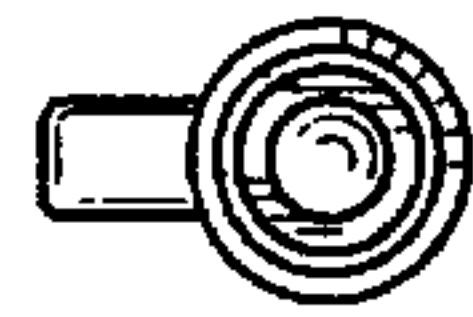


FIG. 8

