



US00D453351S

(12) **United States Design Patent**
Kitera

(10) **Patent No.:** **US D453,351 S**

(45) **Date of Patent:** **** Feb. 5, 2002**

(54) **STROBE**

(75) Inventor: **Jun Kitera, Tokyo (JP)**

(73) Assignee: **Asahi Kogaku Kogyo Kabushiki Kaisha, Tokyo (JP)**

(**) Term: **14 Years**

(21) Appl. No.: **29/138,511**

(22) Filed: **Mar. 16, 2001**

(30) **Foreign Application Priority Data**

Sep. 18, 2000 (JP) 2000-026042

(51) **LOC (7) Cl.** **16-05**

(52) **U.S. Cl.** **D16/240; D16/239**

(58) **Field of Search** **D16/237, 239, D16/240; 362/3, 16-18; 396/155, 180, 182**

(56) **References Cited**

U.S. PATENT DOCUMENTS

D241,273 S * 8/1976 Okuno D16/240

D263,720 S * 4/1982 Takematsu D16/240
D271,306 S * 11/1983 Shull D16/240
D273,013 S * 3/1984 Takematsu D16/240
D342,753 S * 12/1993 Haga D16/239
5,794,082 A * 8/1998 Matsui et al. 396/182

* cited by examiner

Primary Examiner—Adir Aronovich

(74) *Attorney, Agent, or Firm*—Sughrue Mion, PLLC

(57) **CLAIM**

The ornamental design for a strobe, as shown.

DESCRIPTION

FIG. 1 is a perspective view of the top, front and right side of a strobe showing my new design;
FIG. 2 is a front elevational view thereof;
FIG. 3 is a right side elevational view thereof;
FIG. 4 is a top plan view thereof,
FIG. 5 is a bottom plan view thereof;
FIG. 6 is a rear elevational view thereof; and,
FIG. 7 is a left side elevational view thereof.

1 Claim, 4 Drawing Sheets

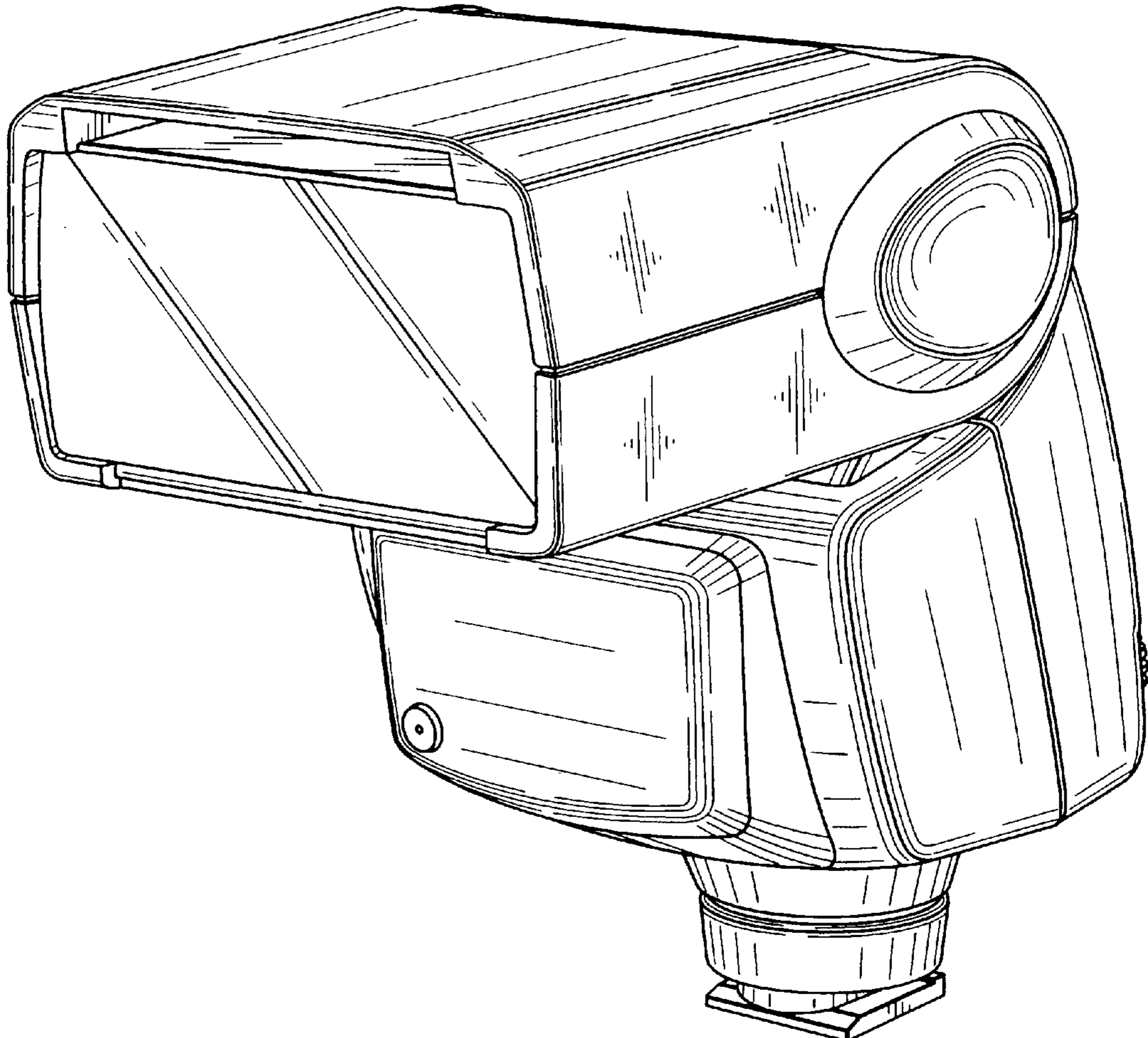


FIG. 1

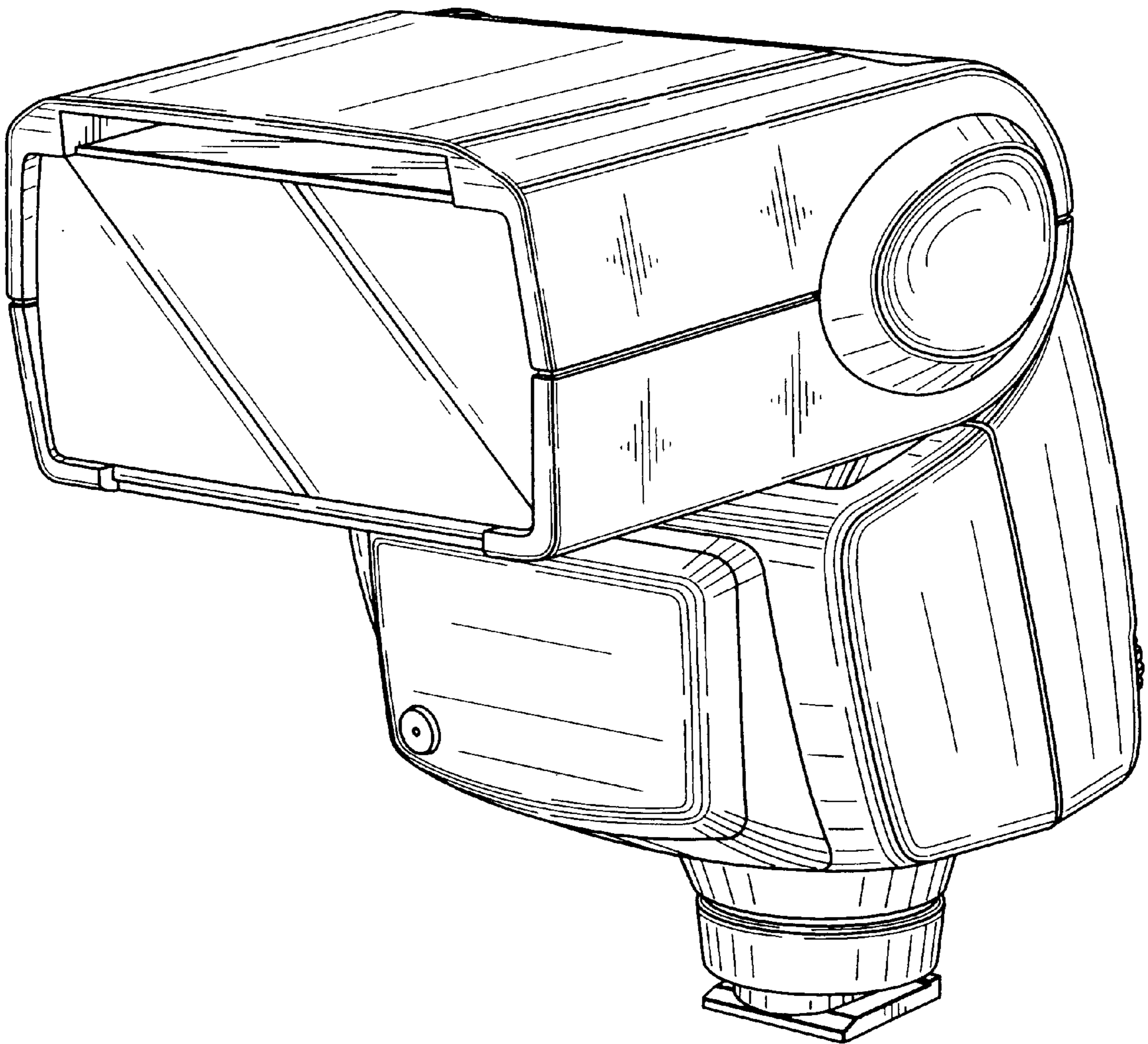


FIG. 3

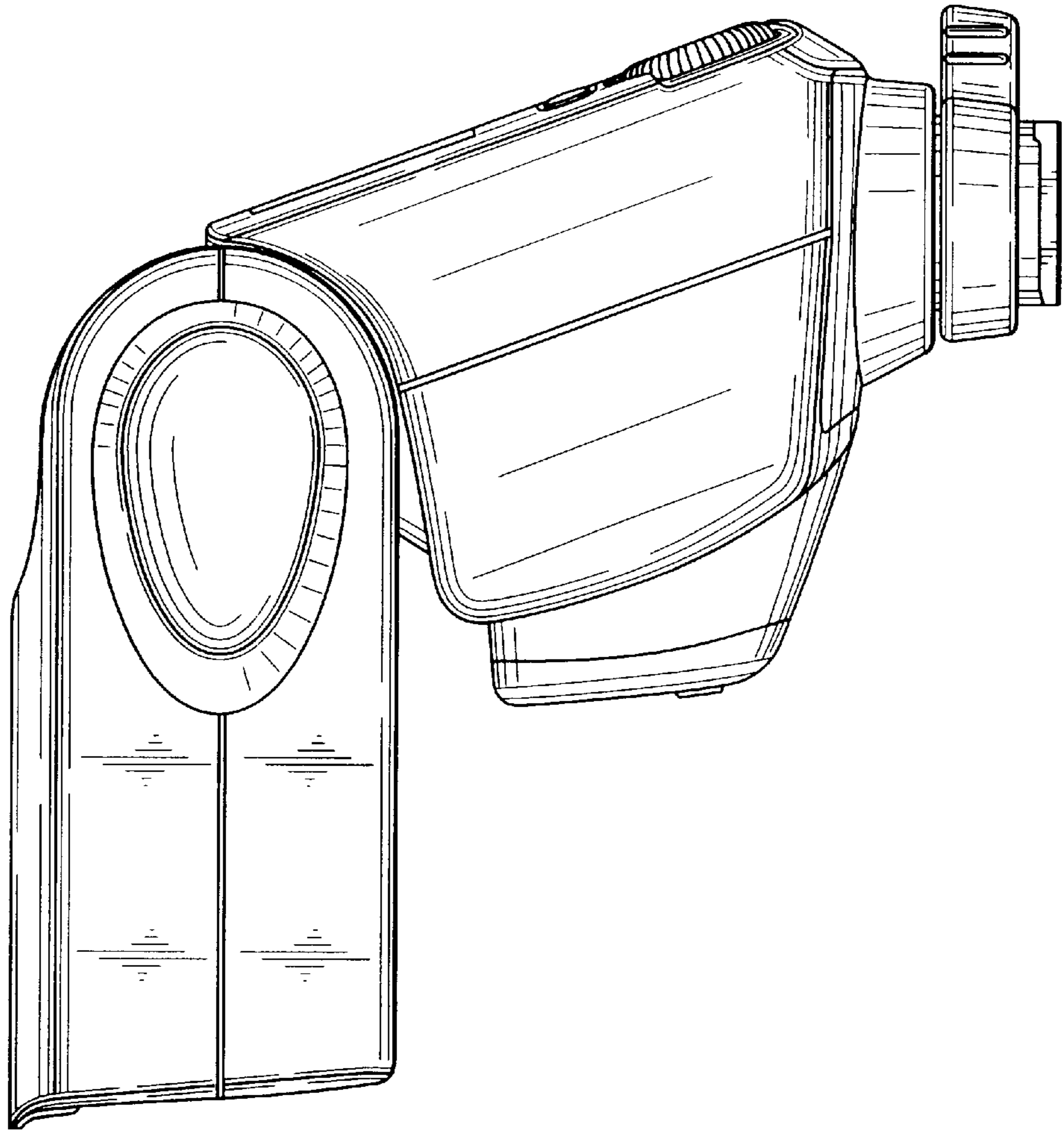


FIG. 2

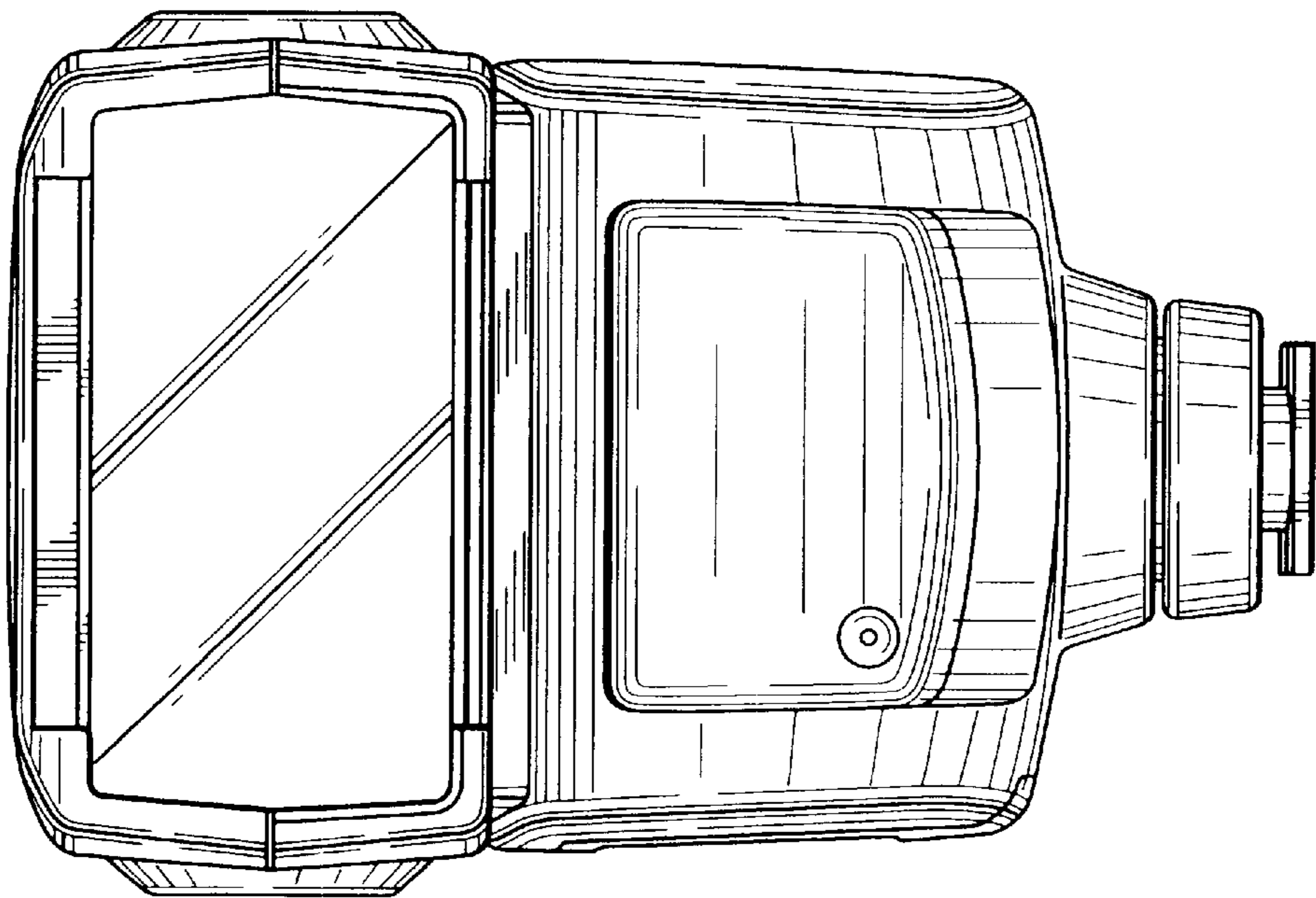


FIG. 5

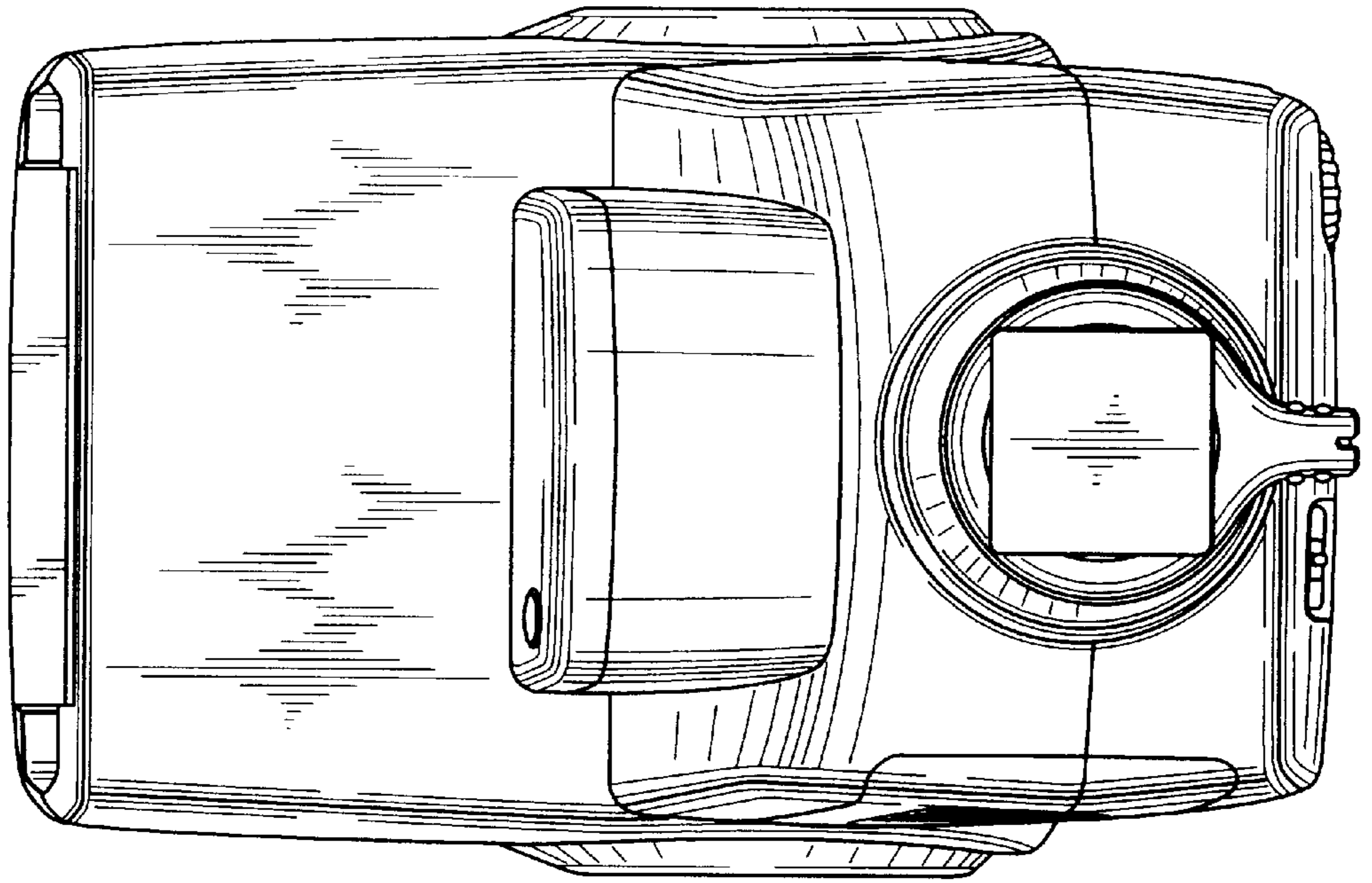


FIG. 4

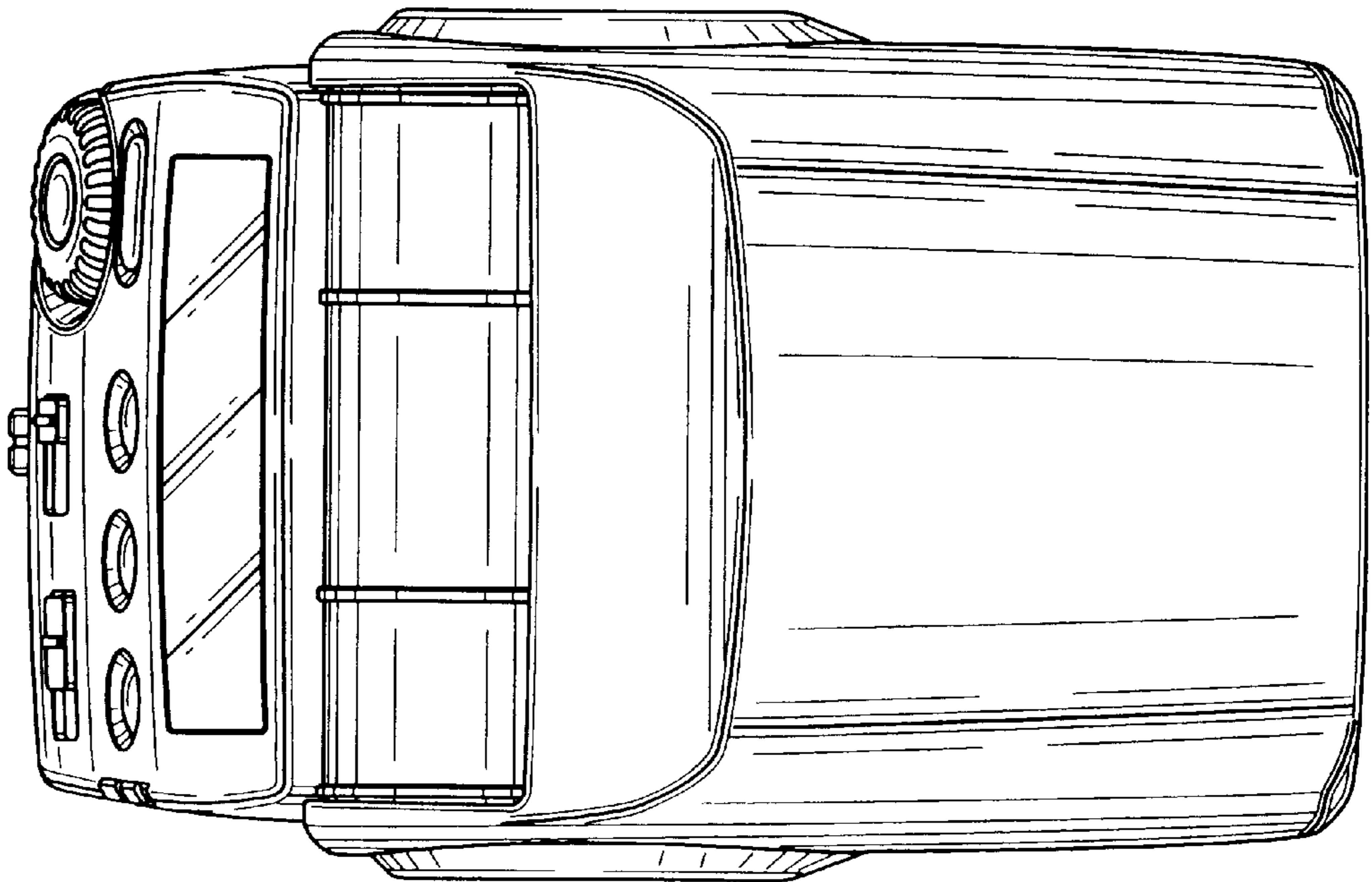


FIG. 7

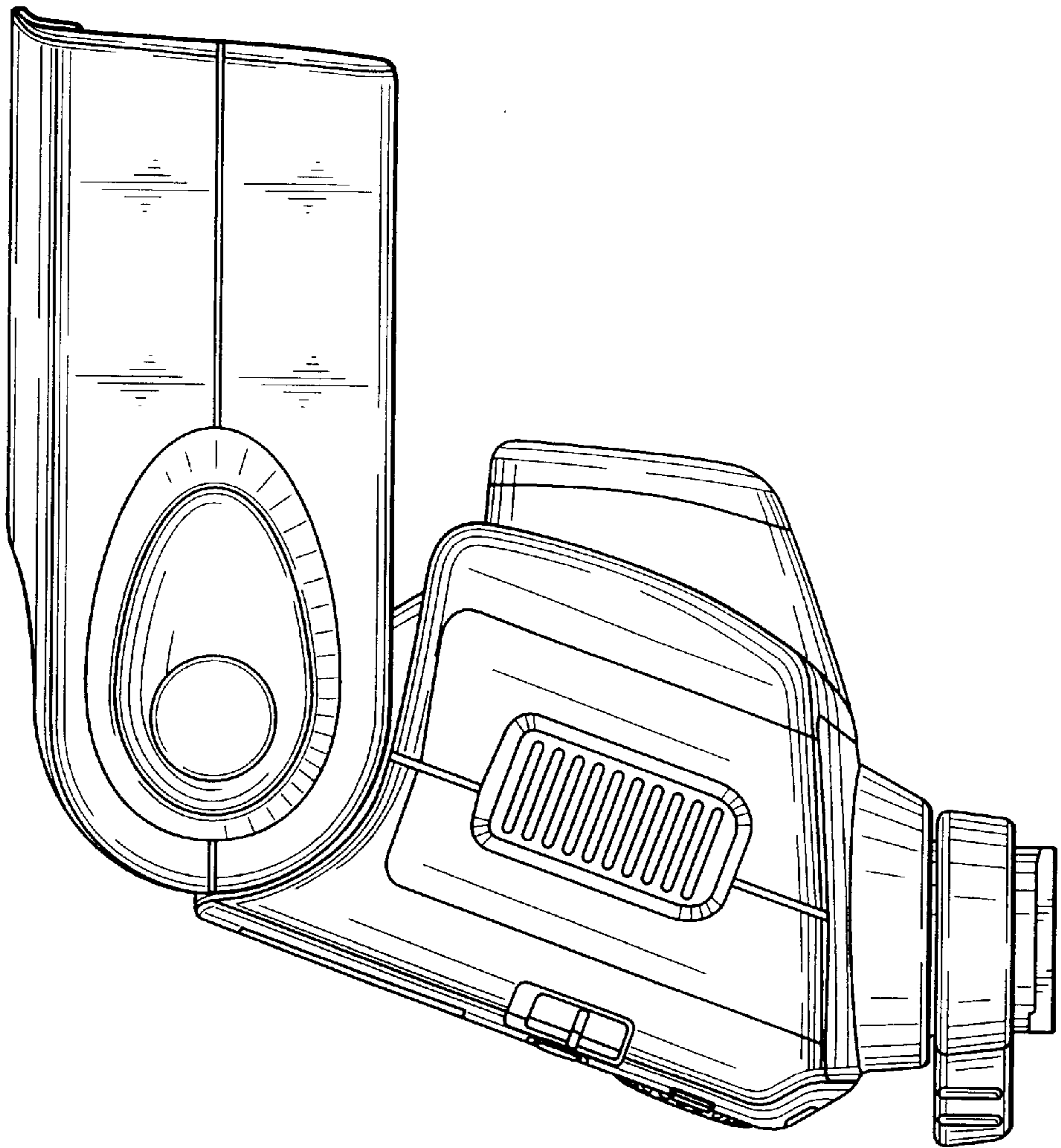


FIG. 6

