



US00D453348S

(12) **United States Design Patent**
Miyazawa

(10) **Patent No.:** **US D453,348 S**

(45) **Date of Patent:** **** Feb. 5, 2002**

(54) **VIDEO CAMERA WITH VIDEO TAPE RECORDER**

D425,090 S * 5/2000 Tashiro D16/202
D438,225 S * 2/2001 Sekine D16/202
D438,553 S * 3/2001 Sekine et al. D16/202

(75) Inventor: **Yoshihiro Miyazawa, Tokyo (JP)**

* cited by examiner

(73) Assignee: **Canon Kabushiki Kaisha, Tokyo (JP)**

Primary Examiner—Adir Aronovich

(**) Term: **14 Years**

(74) *Attorney, Agent, or Firm*—Fitzpatrick, Cella, Harper & Scinto

(21) Appl. No.: **29/142,022**

(57) **CLAIM**

(22) Filed: **May 18, 2001**

The ornamental design for a video camera with video tape recorder, as shown and described.

(30) **Foreign Application Priority Data**

DESCRIPTION

Nov. 22, 2000 (JP) 2000-033319

(51) **LOC (7) Cl.** **16-01**

FIG. 1 is a front view of a video camera with video tape recorder showing my new design;
FIG. 2 is a rear view thereof;
FIG. 3 is a top plan view thereof;
FIG. 4 is a bottom plan view thereof;
FIG. 5 is a left side view thereof;
FIG. 6 is a right side view thereof; and,
FIG. 7 is a perspective view thereof.

(52) **U.S. Cl.** **D16/202**

(58) **Field of Search** D16/200-206;
348/373-376; 358/906; 396/535-541

(56) **References Cited**

U.S. PATENT DOCUMENTS

5,499,052 A * 3/1996 Nakanishi et al. 348/373
D422,001 S * 3/2000 Ohwada D16/202

1 Claim, 4 Drawing Sheets

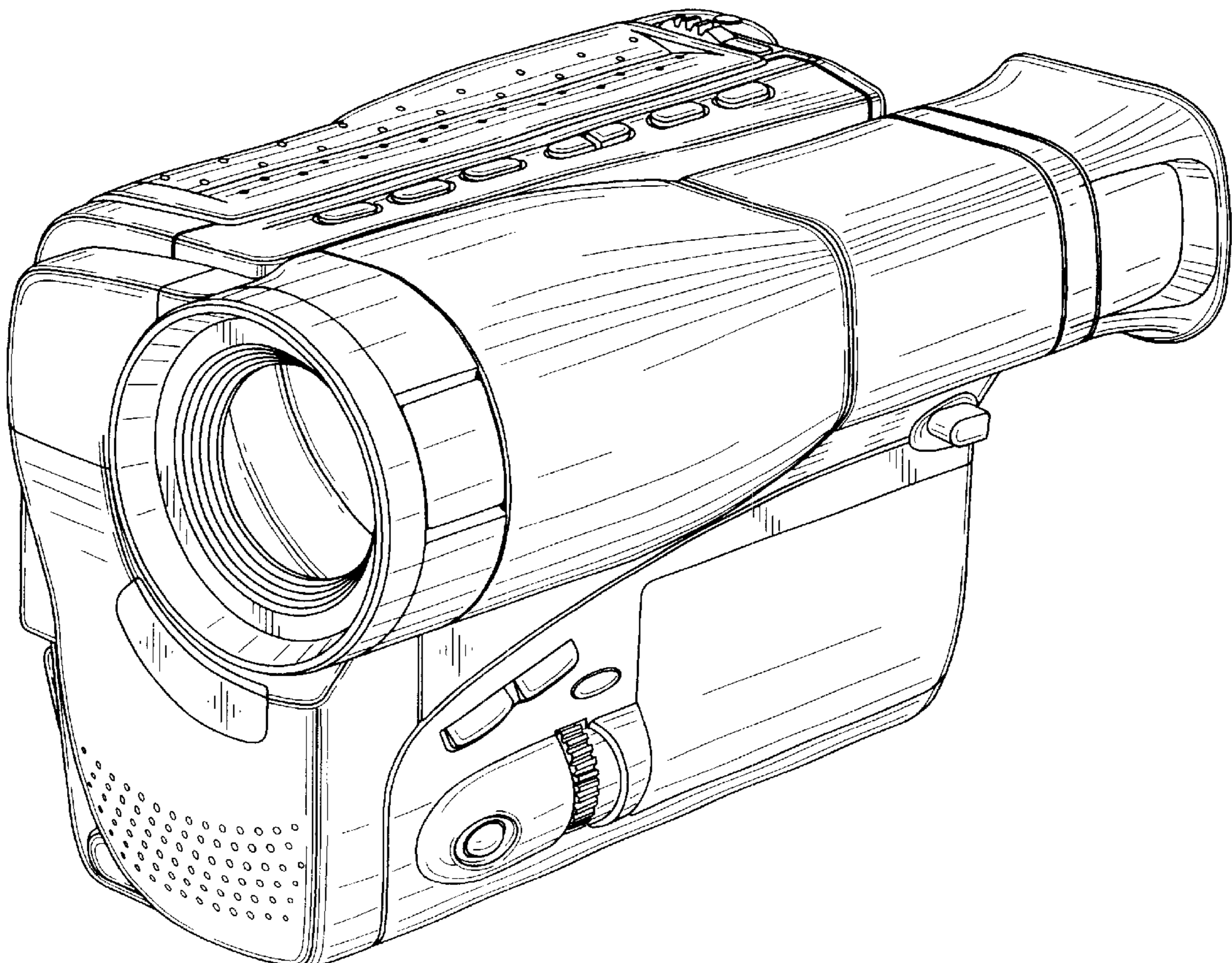


FIG. 1

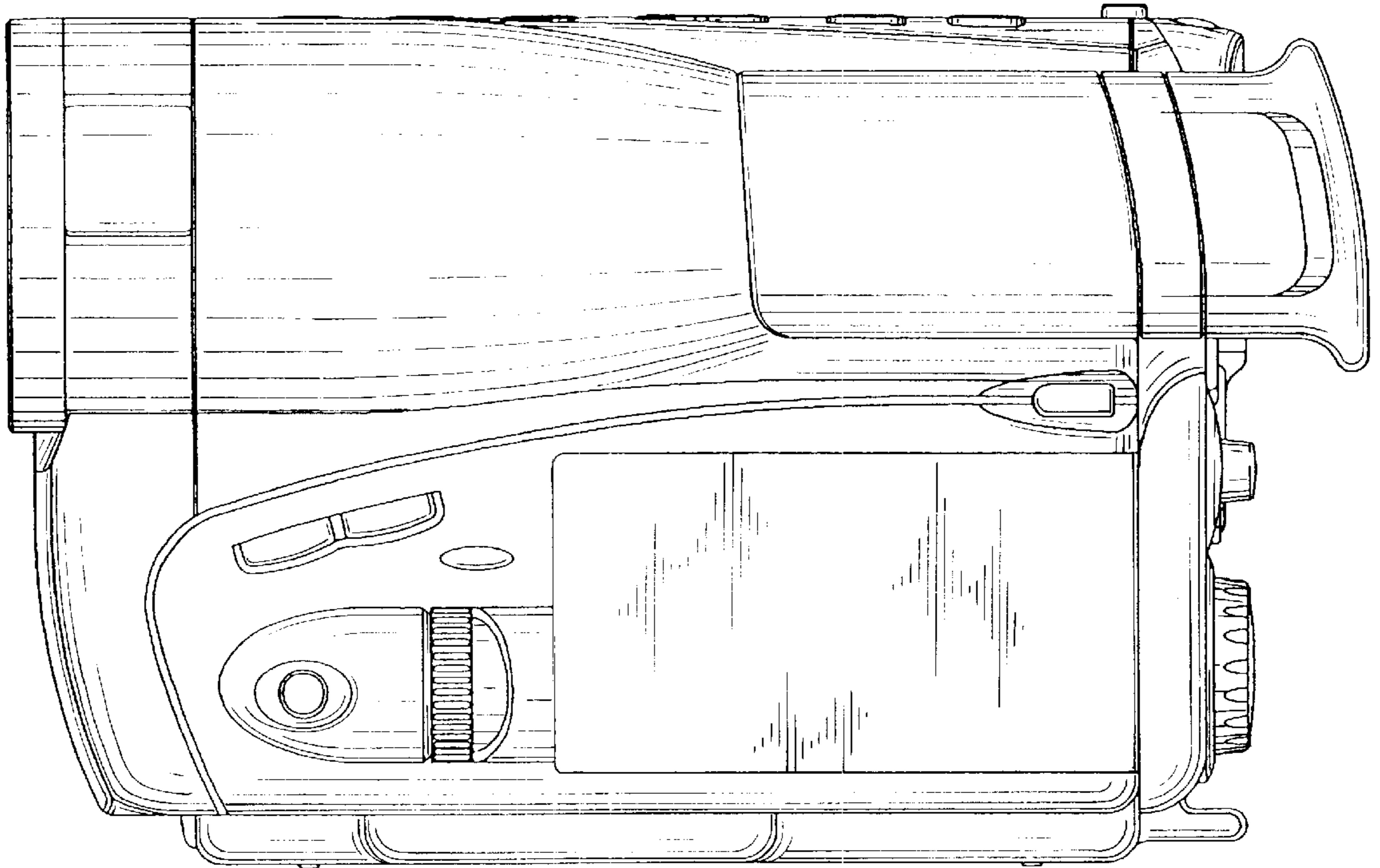


FIG. 2

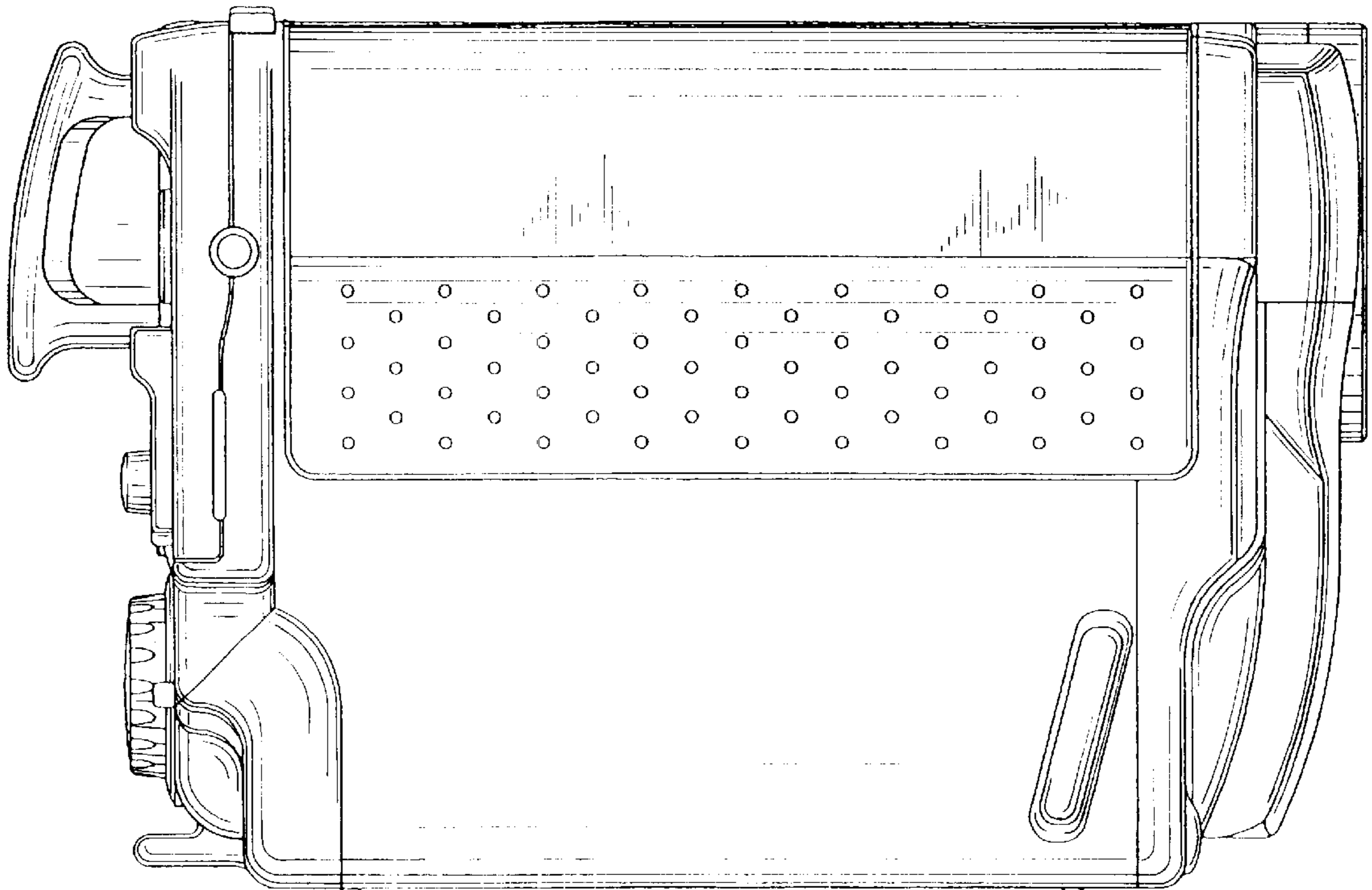


FIG. 3

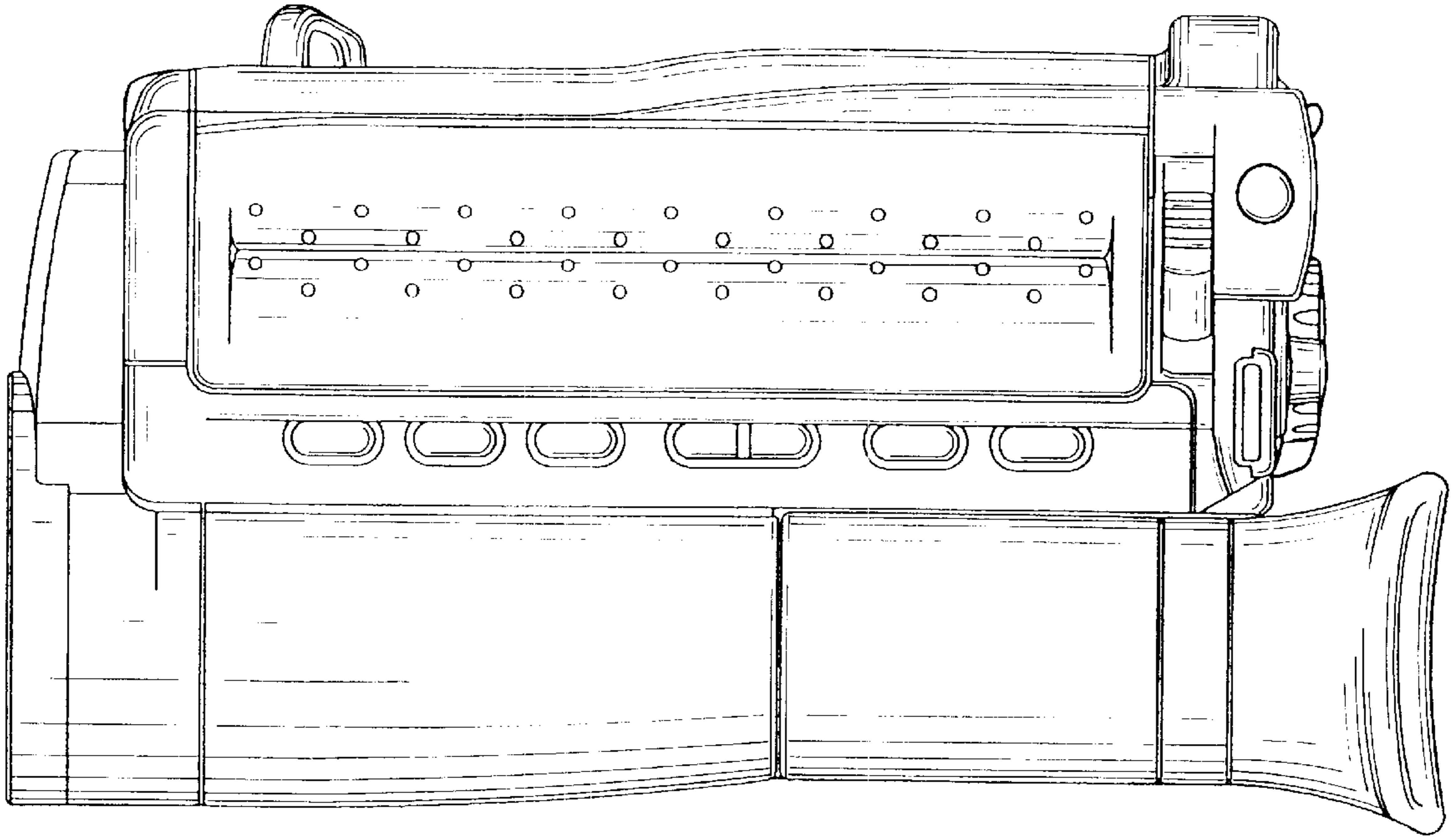


FIG. 4

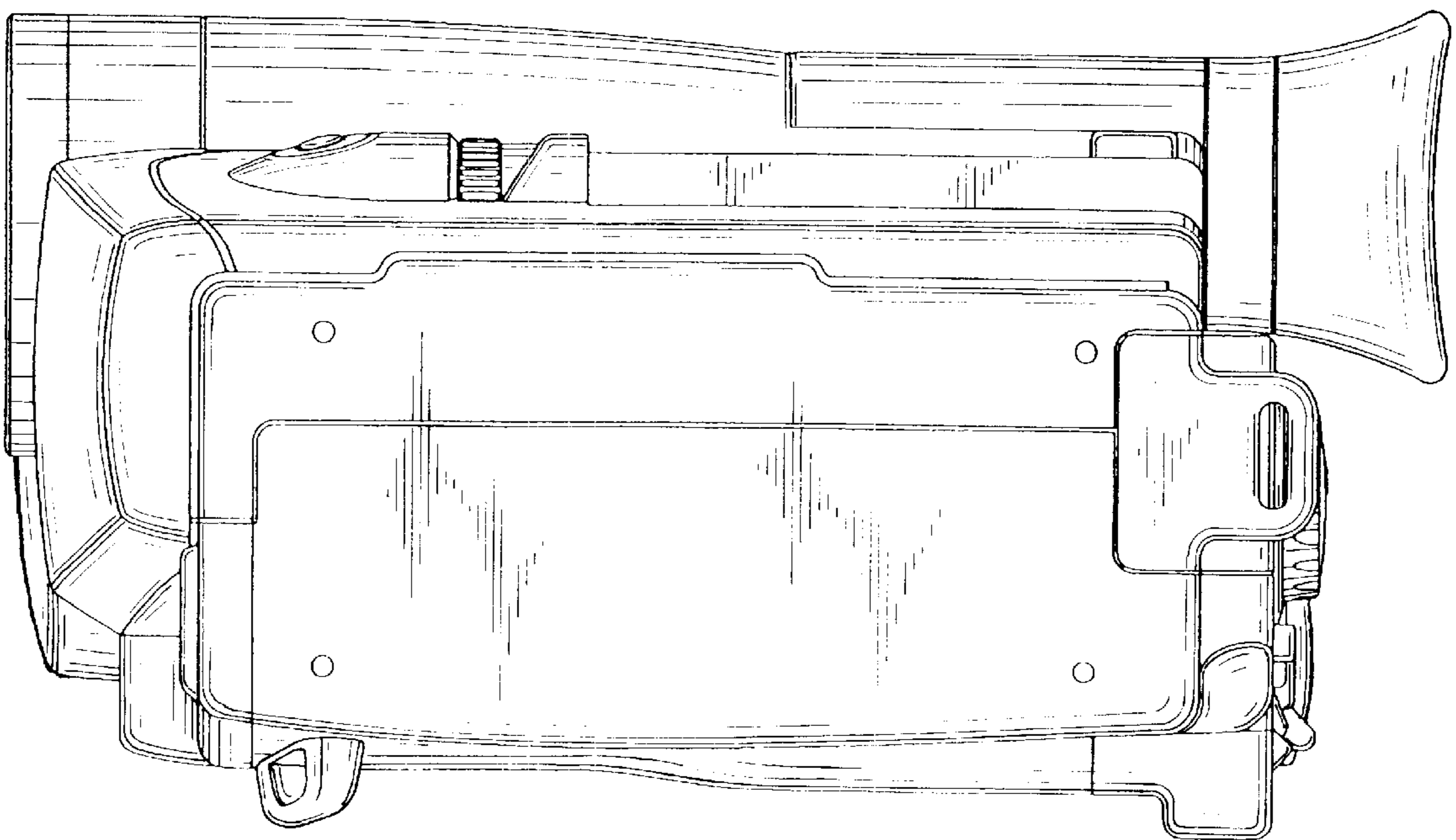


FIG. 5

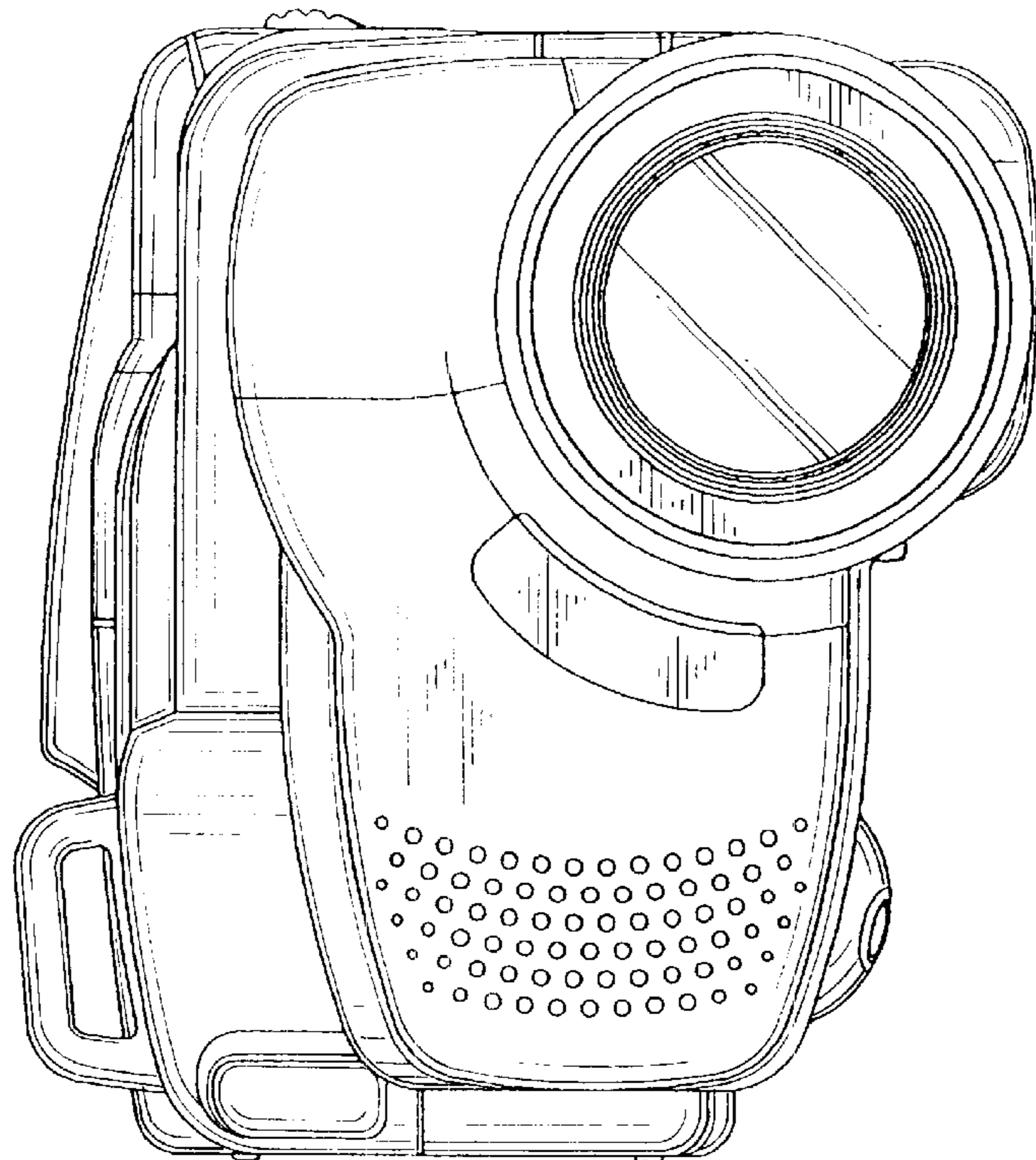


FIG. 6

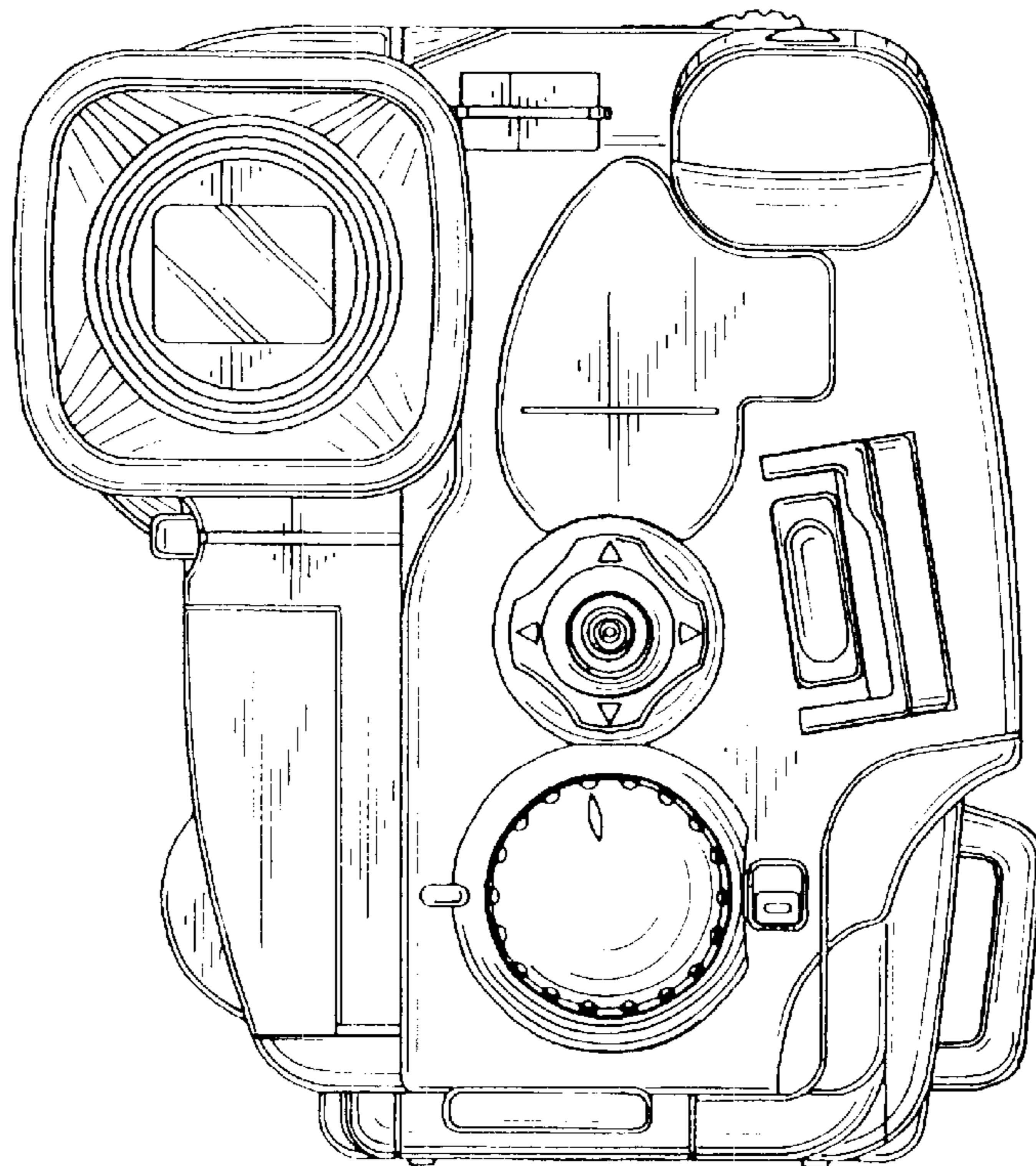


FIG. 7

