



US00D453347S

(12) **United States Design Patent**  
**Kaneko et al.**

(10) **Patent No.:** **US D453,347 S**

(45) **Date of Patent:** **\*\* Feb. 5, 2002**

(54) **SWITCHING ASSEMBLY FOR FLUID PRESSURE APPARATUS**

U.S. application No. 29/121,921, filed Apr. 18, 2000, pending.

(75) Inventors: **Ryushiro Kaneko; Shinji Miyazoe,**  
both of Ibaraki (JP)

\* cited by examiner

(73) Assignee: **SMC Corporation, Tokyo (JP)**

*Primary Examiner*—Antoine Duval Davis  
(74) *Attorney, Agent, or Firm*—Oblon, Spivak, McClelland, Maier & Neustadt, P.C.

(\*\*) Term: **14 Years**

(21) Appl. No.: **29/121,914**

(22) Filed: **Apr. 18, 2000**

(30) **Foreign Application Priority Data**

Oct. 18, 1999 (JP) ..... 11-28501

(51) **LOC (7) Cl.** ..... **15-09**

(52) **U.S. Cl.** ..... **D15/143; D15/5**

(58) **Field of Search** ..... D15/5, 143; 74/89.15,  
74/490.09; 92/5 R, 13.5, 88, 117 A; 310/20,  
80

(56) **References Cited**

**U.S. PATENT DOCUMENTS**

D441,381 S \* 5/2001 Kaneko et al. .... D15/143

**OTHER PUBLICATIONS**

U.S. application No. 29/121,913, filed Apr. 18, 2000, pending.

(57) **CLAIM**

The ornamental design for a switching assembly for fluid pressure apparatus, as shown and described.

**DESCRIPTION**

FIG. 1 is a top and right front perspective view of a switching assembly for fluid pressure apparatus, showing our design;

FIG. 2 is a top and left rear perspective view thereof;

FIG. 3 is a top plan view thereof;

FIG. 4 is a front elevational view thereof;

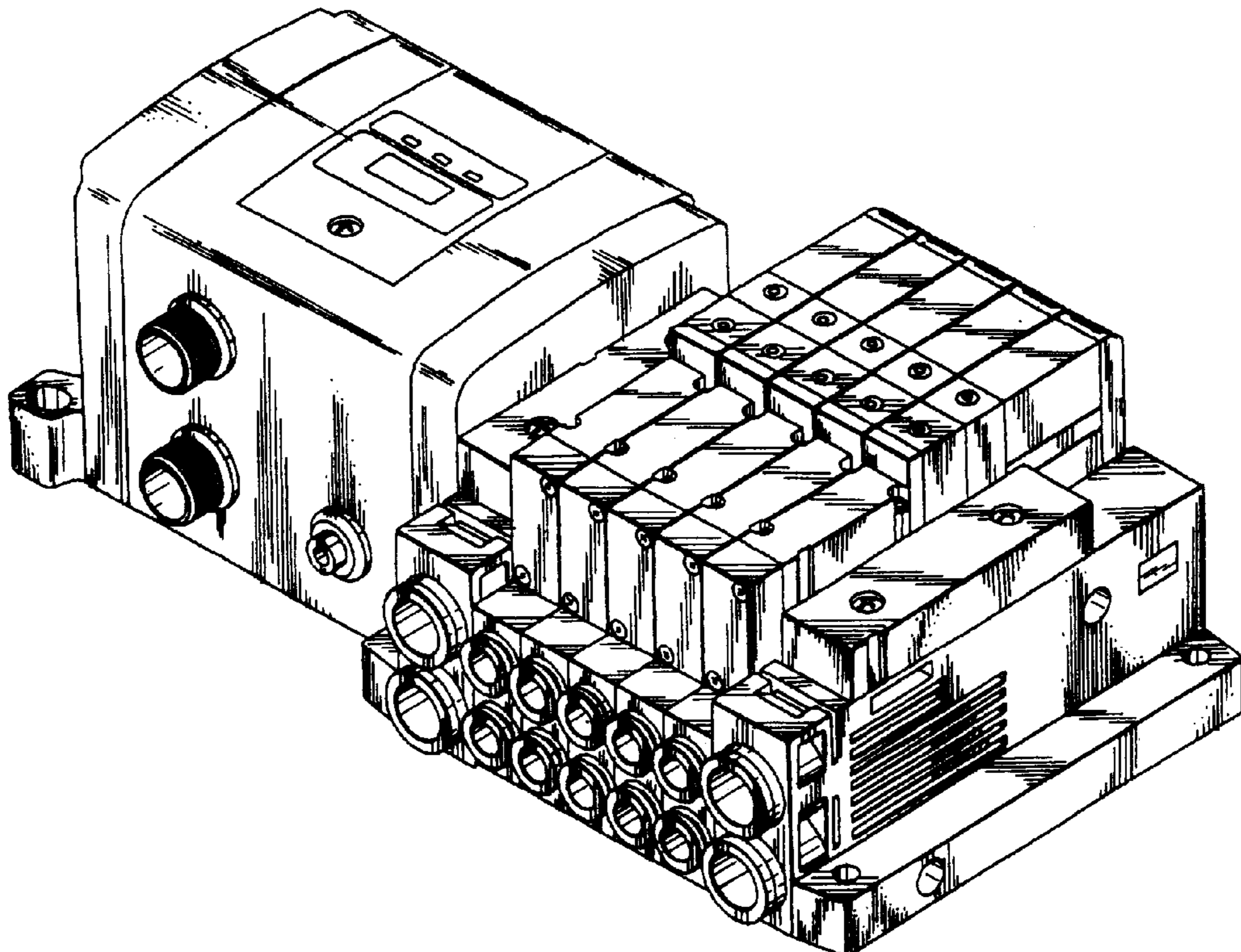
FIG. 5 is a rear elevational view thereof;

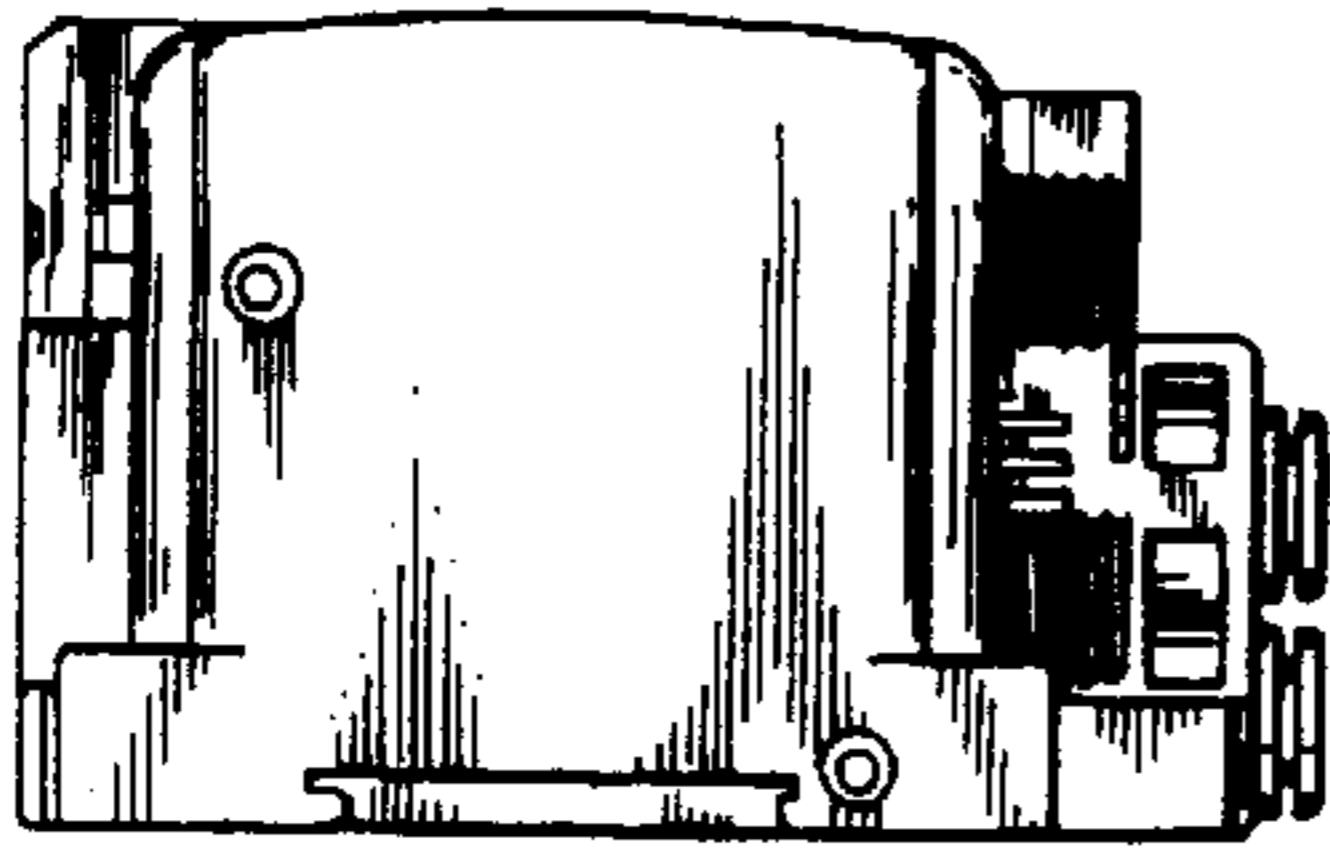
FIG. 6 is a bottom plan view thereof;

FIG. 7 is a left side elevational view thereof; and,

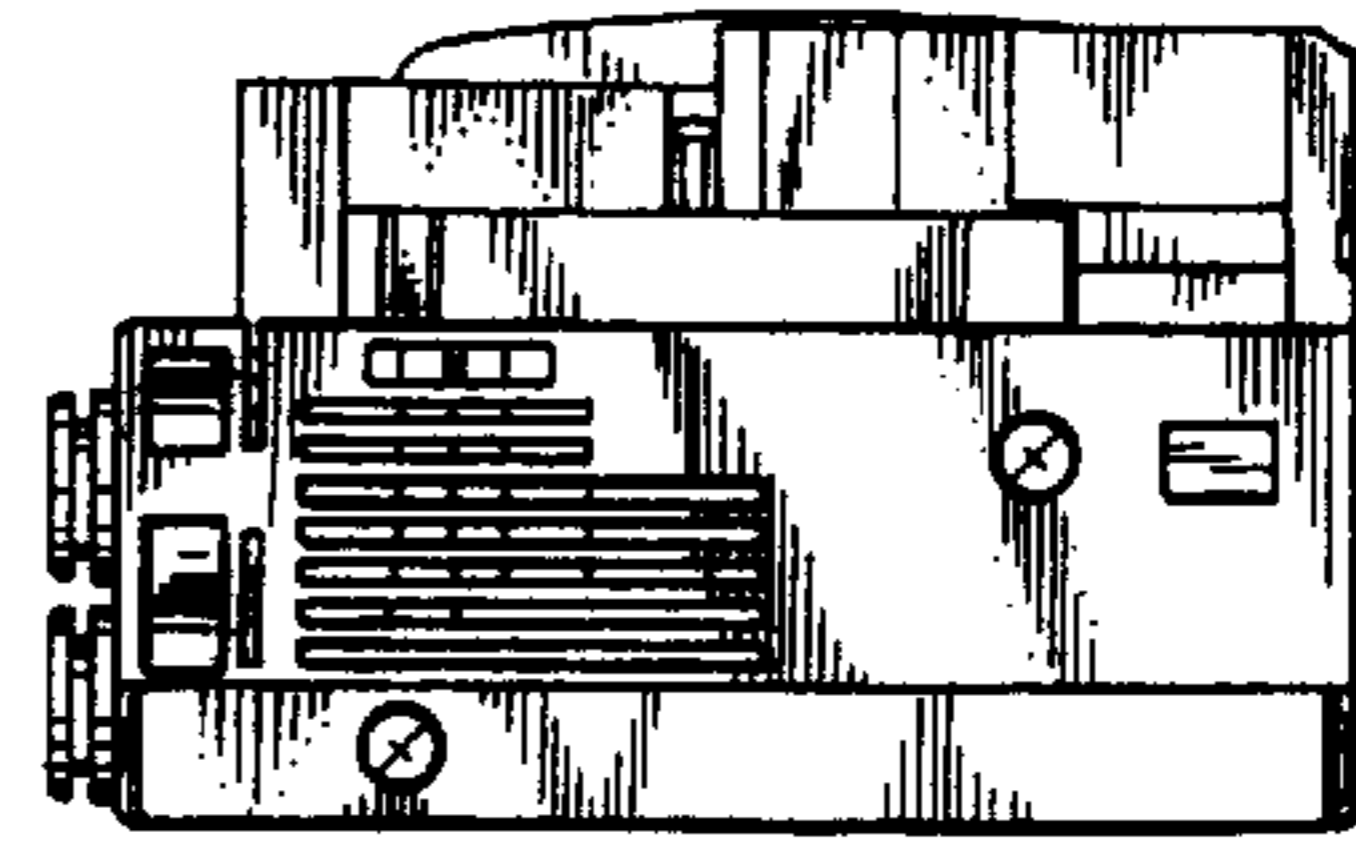
FIG. 8 is a right side elevational view thereof.

**1 Claim, 2 Drawing Sheets**

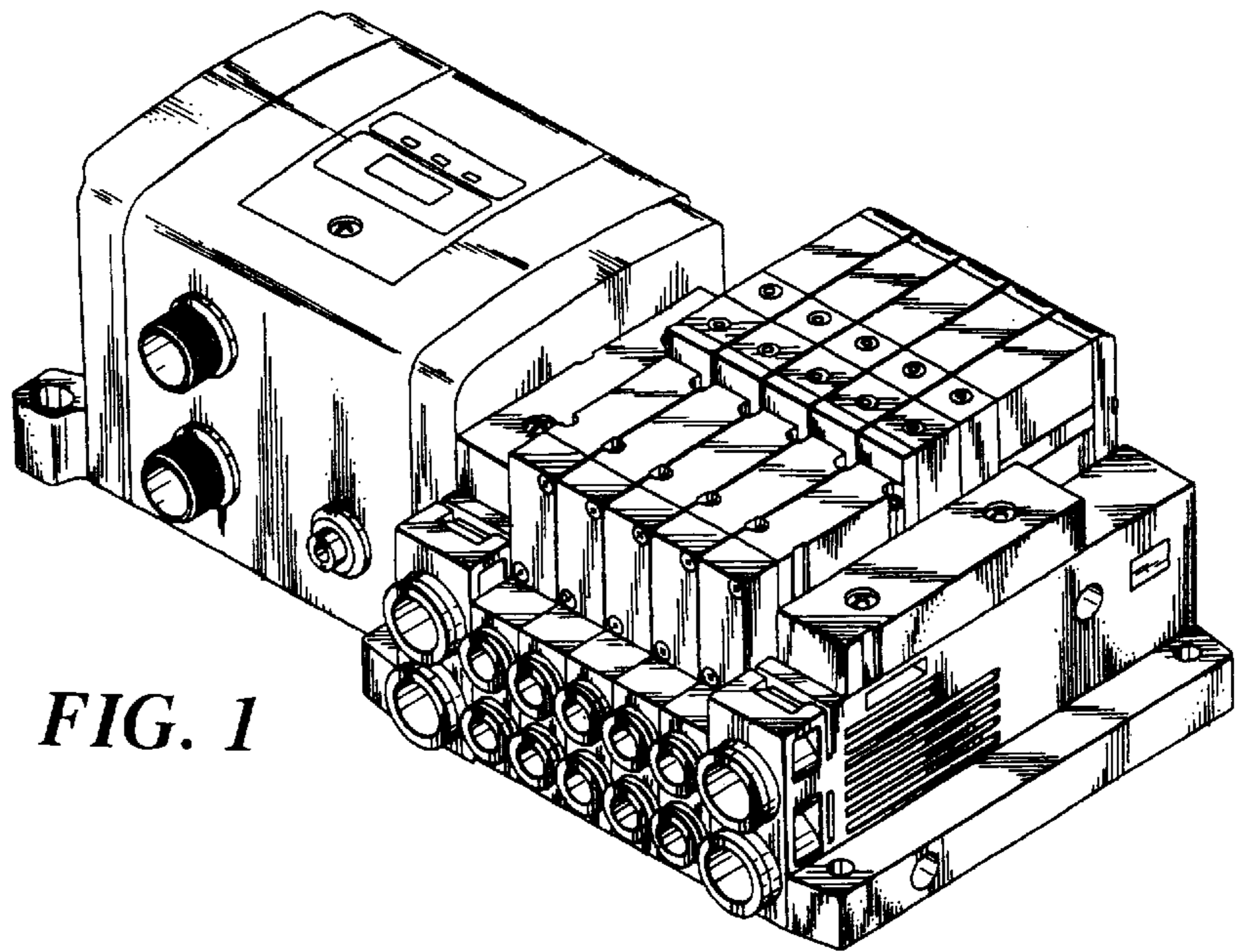




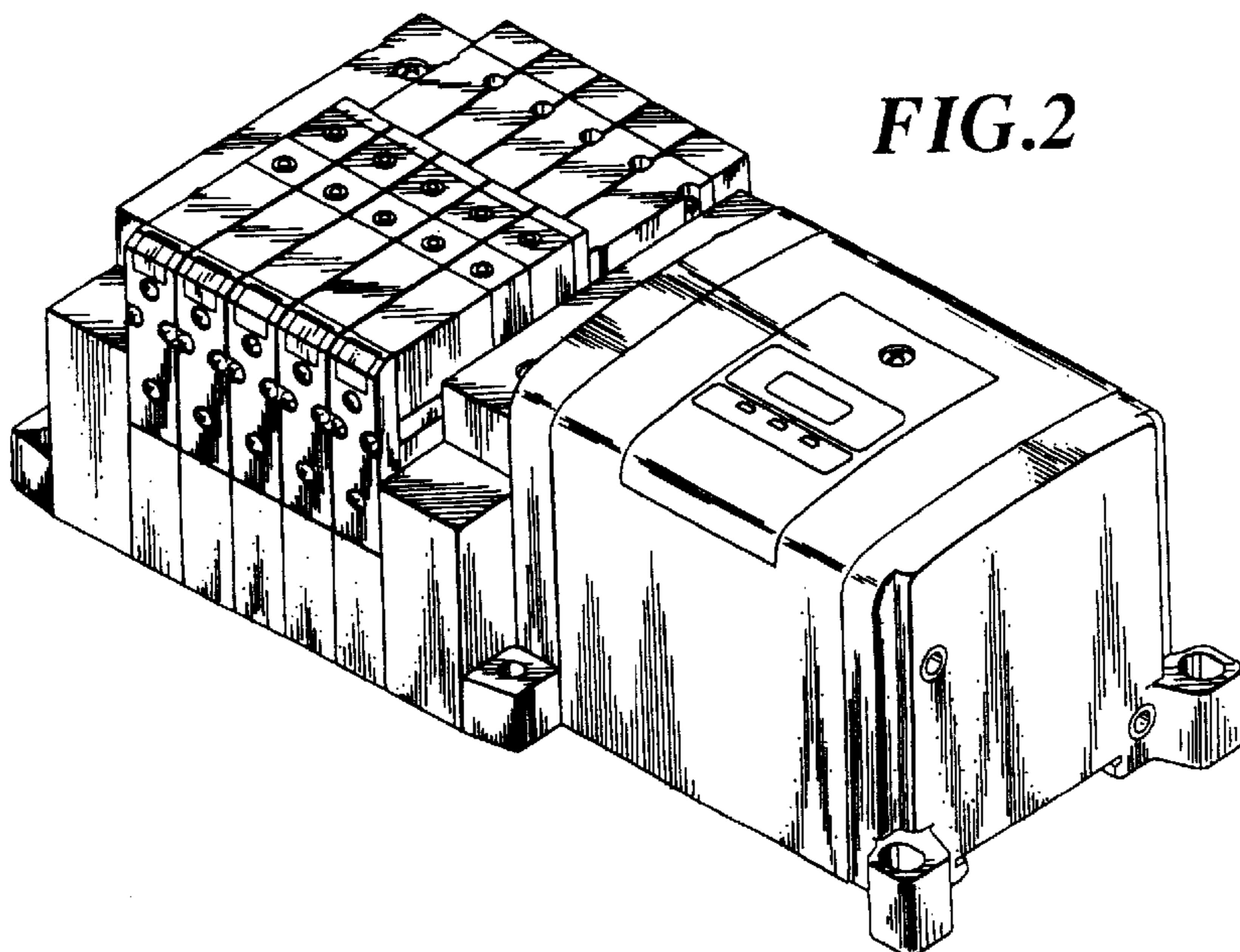
*FIG. 7*



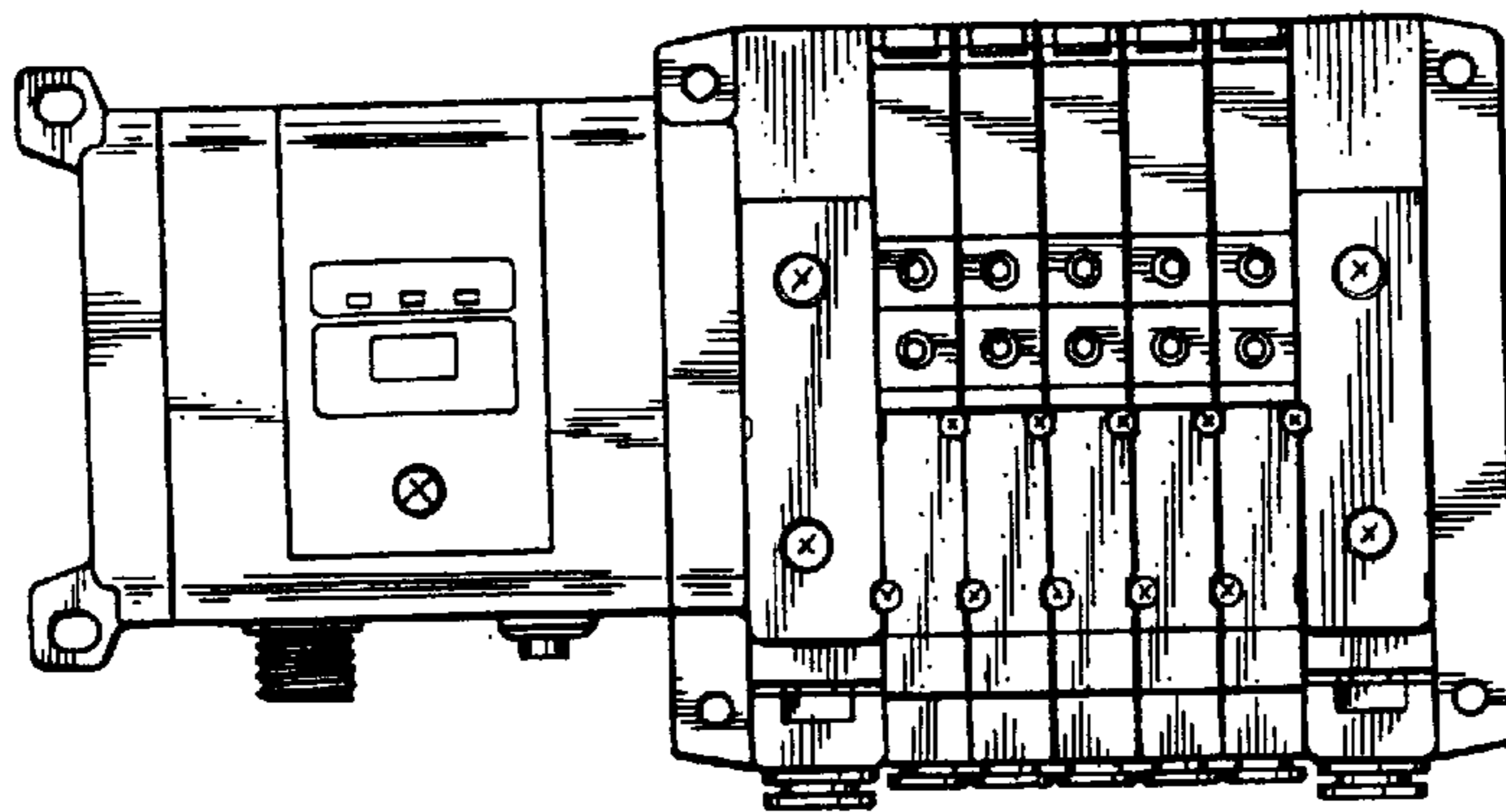
*FIG. 8*



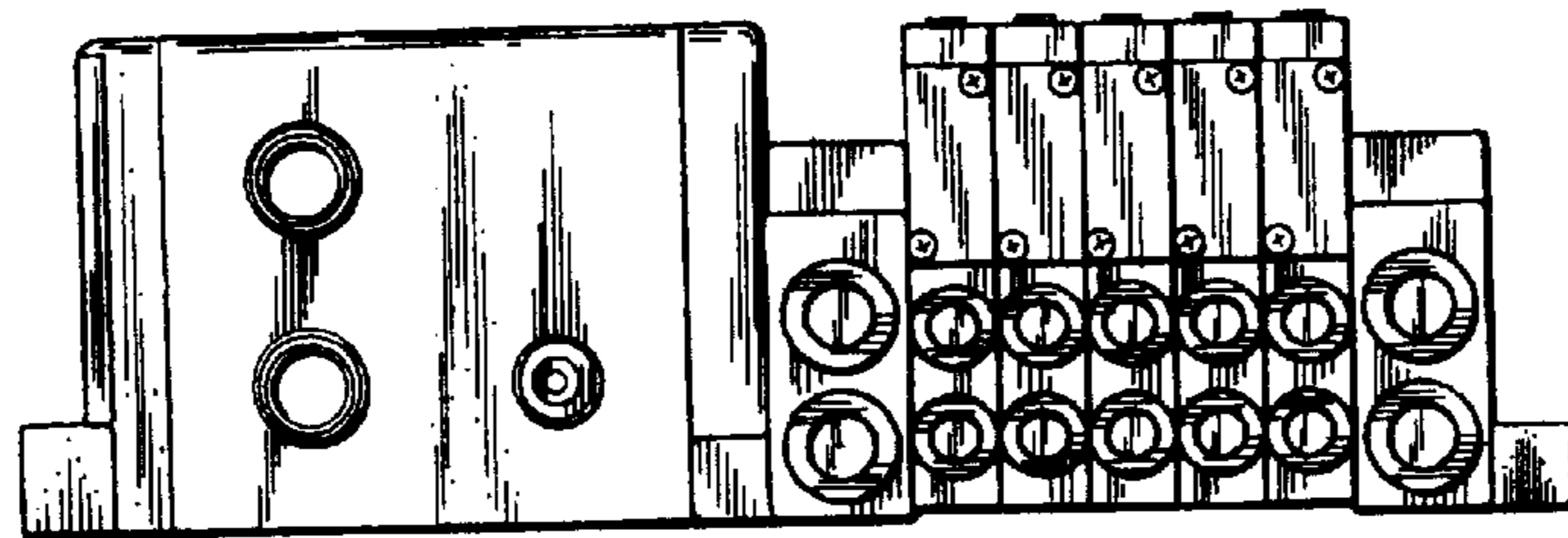
*FIG. 1*



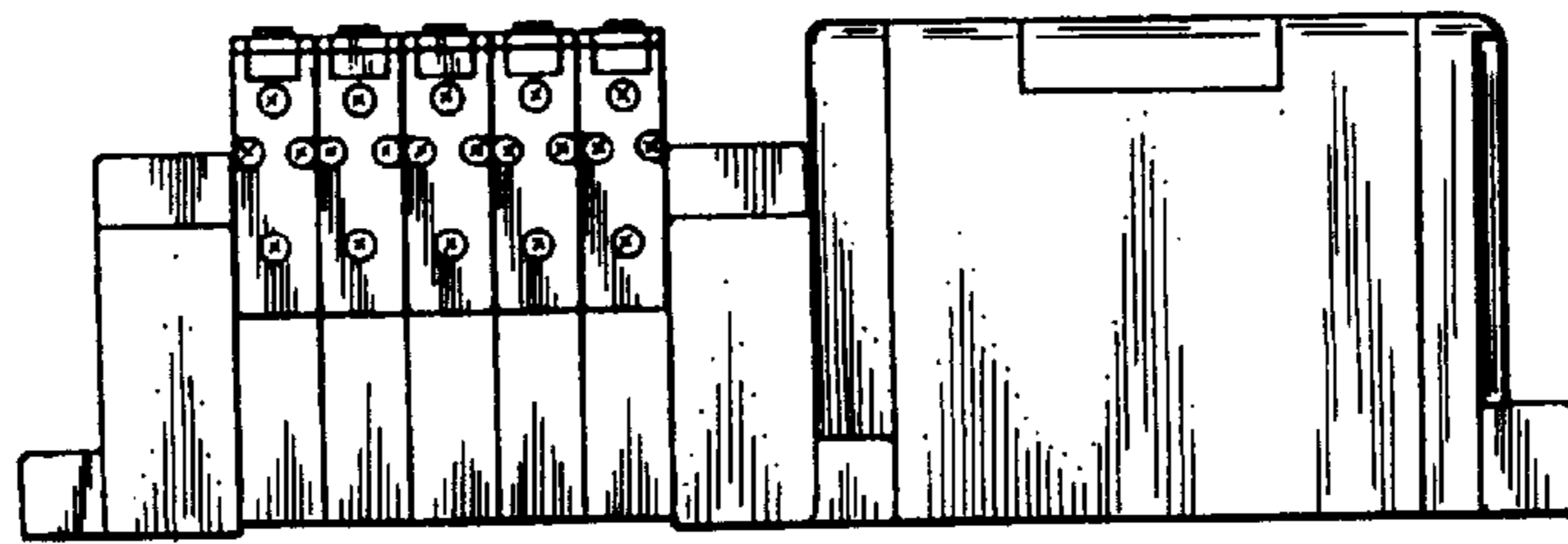
*FIG. 2*



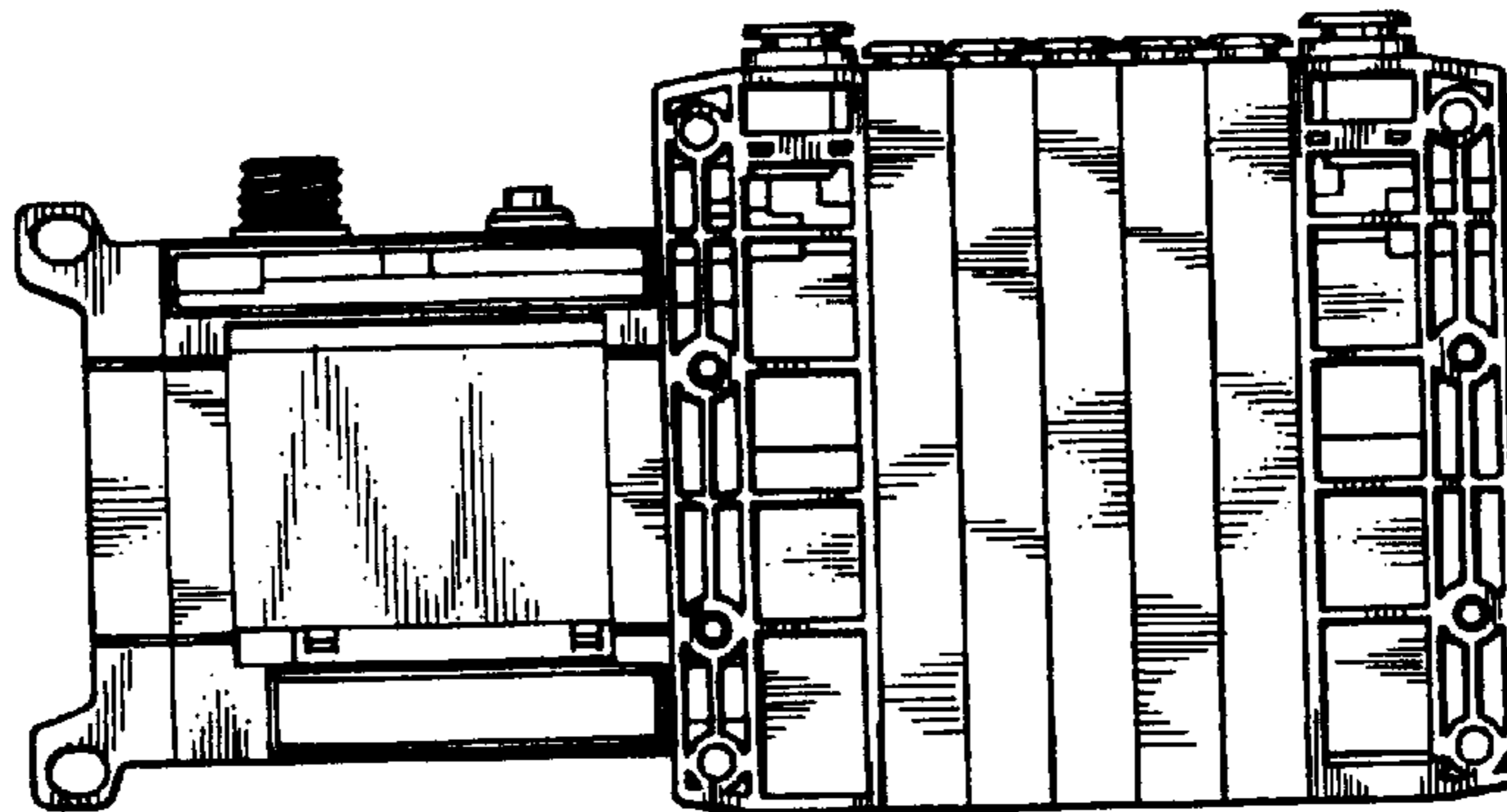
*FIG. 3*



*FIG. 4*



*FIG. 5*



*FIG. 6*