



US00D453346S

(12) **United States Design Patent** (10) **Patent No.:** **US D453,346 S**
Young (45) **Date of Patent:** **** Feb. 5, 2002**

(54) **SCROLL SAW**

(75) Inventor: **Ronald E. Young**, Cheswick, PA (US)

(73) Assignee: **Delta International Machinery Corp.**,
Jackson, TN (US)

(**) Term: **14 Years**

(21) Appl. No.: **29/137,449**

(22) Filed: **Feb. 20, 2001**

(51) **LOC (7) Cl.** **15-09**

(52) **U.S. Cl.** **D15/133**

(58) **Field of Search** D15/133; 83/783-786

(56) **References Cited**

U.S. PATENT DOCUMENTS

5,176,059	A	1/1993	Anderson	
5,301,579	A	4/1994	Shiotani et al.	
D395,323	S	6/1998	Welsh	
D395,324	S	6/1998	Welsh	
D396,050	S	7/1998	Welsh	
5,778,752	A	7/1998	Chen	
D397,124	S	8/1998	Welsh	
D402,671	S	* 12/1998	Welsh	D15/133
D402,673	S	12/1998	Welsh	
D407,422	S	3/1999	Welsh	
5,937,724	A	8/1999	O'Banion et al.	
D417,227	S	* 11/1999	Lei	D15/133
D423,525	S	* 4/2000	Brazell et al.	D15/133
6,044,743	A	4/2000	O'Banion et al.	
D424,076	S	5/2000	Dibbern et al.	
D426,558	S	6/2000	Welsh	
D429,260	S	* 8/2000	Ohi et al.	D15/133
H1867	H	10/2000	Quiram	

OTHER PUBLICATIONS

“Talon Power Tools Bench Top”, *Talon Power Tools Engineered Performance*, International Catalogue 98/99 Program, pp. 20, et al.

“Scrollsaws”, *American Woodworker*, 1999 Tool Buyer’s Guide, pp. 136-138, 152.

* cited by examiner

Primary Examiner—Antoine Duval Davis
(74) *Attorney, Agent, or Firm*—Kirkpatrick & Lockhart LLP

(57) **CLAIM**

The ornamental design for a scroll saw, as shown and described.

DESCRIPTION

FIG. 1 is a right and front side isometric view of a first embodiment of a scroll saw showing our new design; FIG. 2 is a rear and left side isometric view of the design of FIG. 1;

FIG. 3 is a front view of the design of FIG. 1;

FIG. 4 is a rear view of the design of FIG. 1;

FIG. 5 is a top view of the of the design of FIG. 1;

FIG. 6 is a bottom view of the of the design of FIG. 1;

FIG. 7 is a left side view of the of the design of FIG. 1;

FIG. 8 is a right side view of the of the design of FIG. 1;

FIG. 9 is a right and front side isometric view of a second embodiment of a scroll saw showing our new design and shown with an air nozzle attached;

FIG. 10 is a rear and left side isometric view of the design of FIG. 9;

FIG. 11 is a front view of the design of FIG. 9;

FIG. 12 is a rear view of the design of FIG. 9;

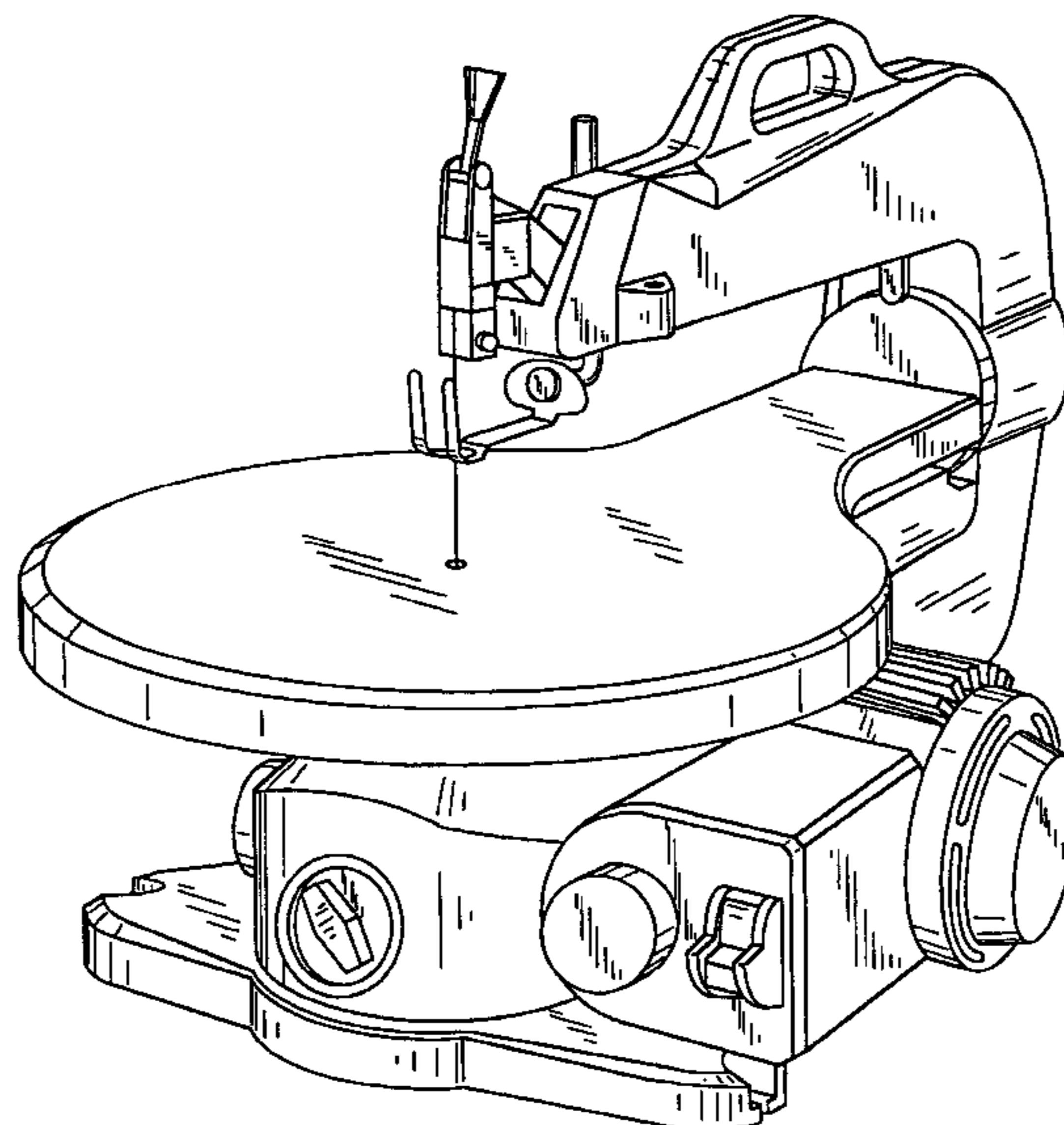
FIG. 13 is a top view of the design of FIG. 9;

FIG. 14 is a bottom view of the design of FIG. 9;

FIG. 15 is a left side view of the design of FIG. 9; and,

FIG. 16 is a right side view of the design of FIG. 9.

1 Claim, 16 Drawing Sheets



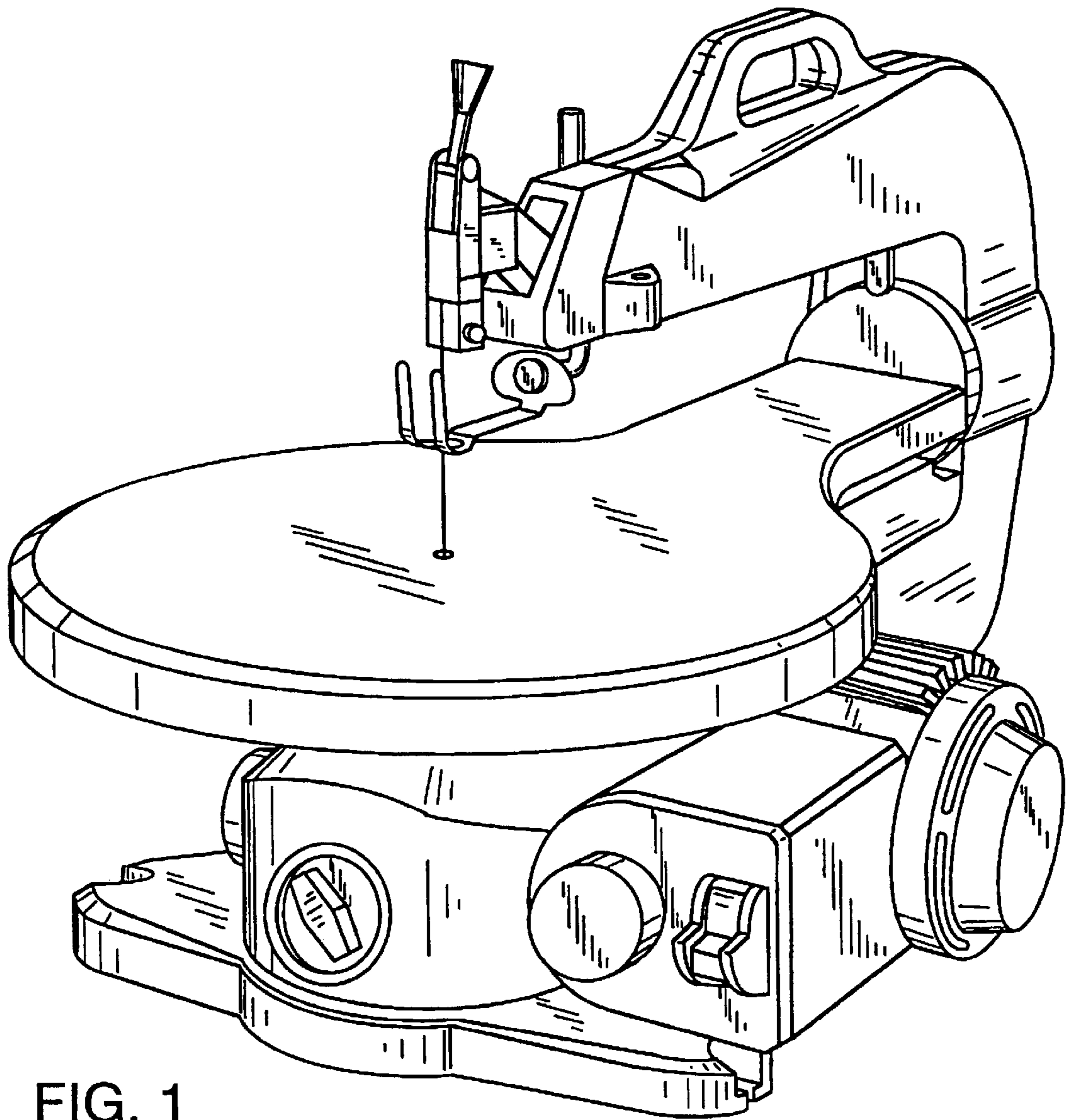


FIG. 1

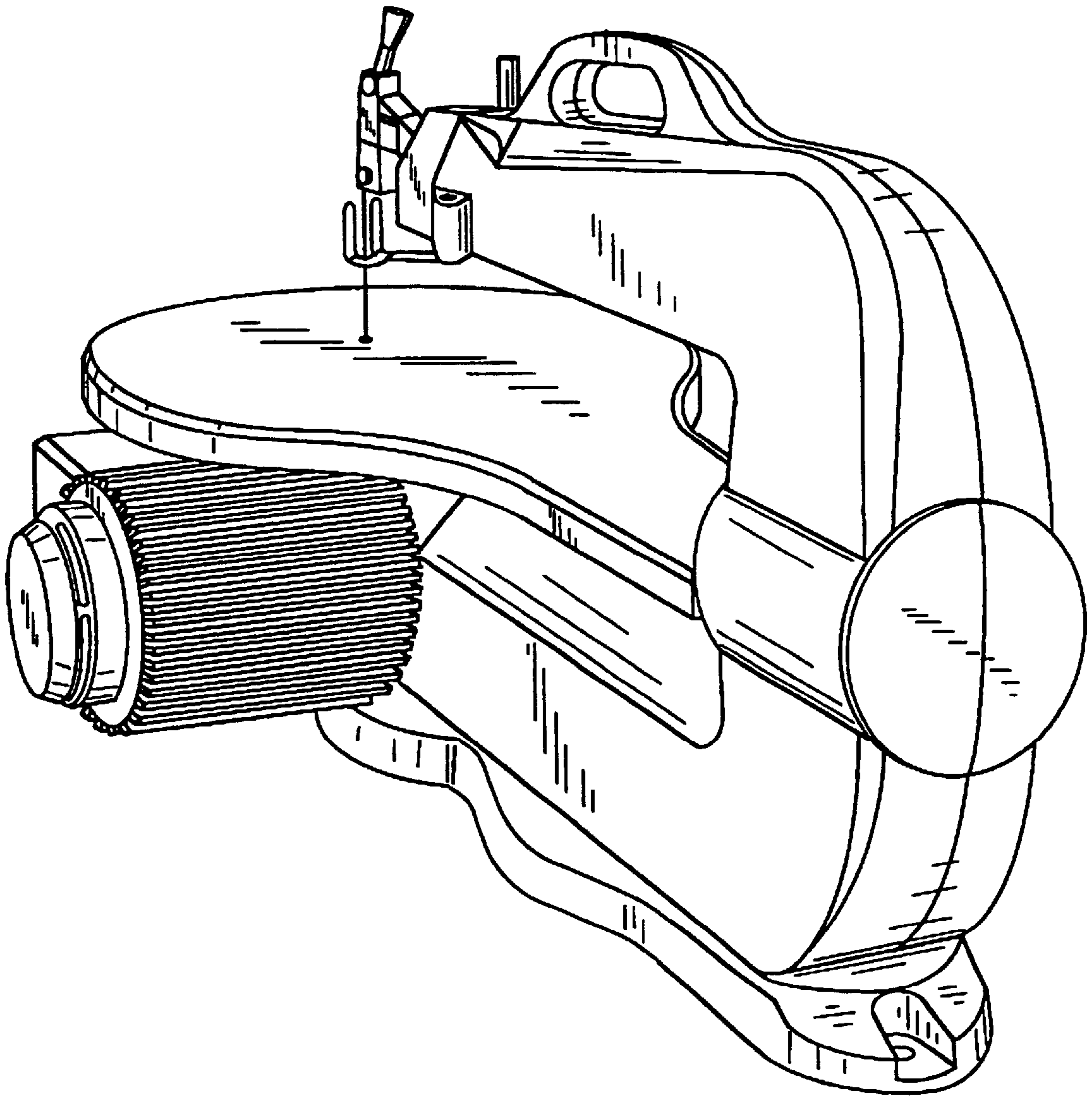


FIG. 2

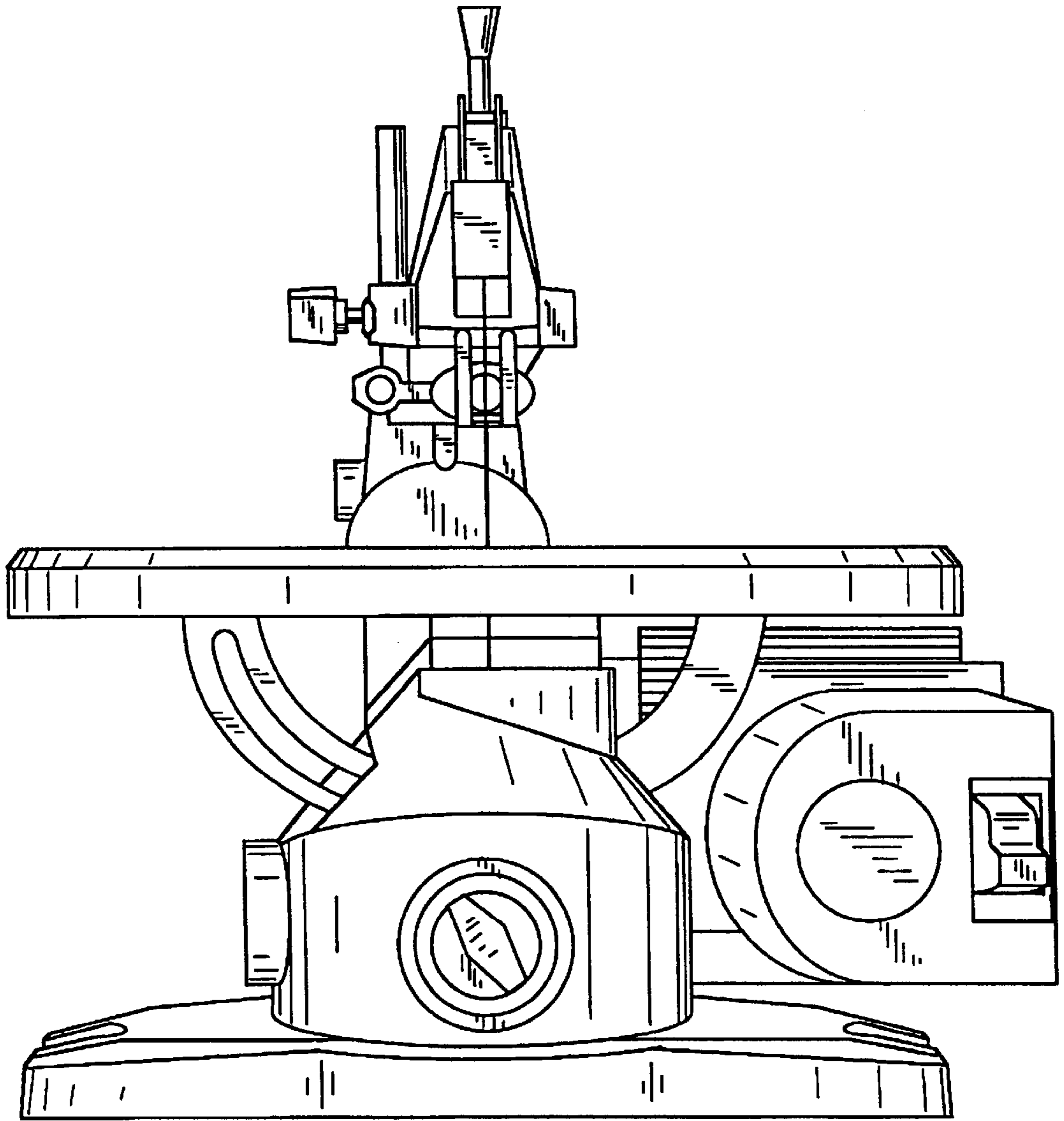


FIG. 3

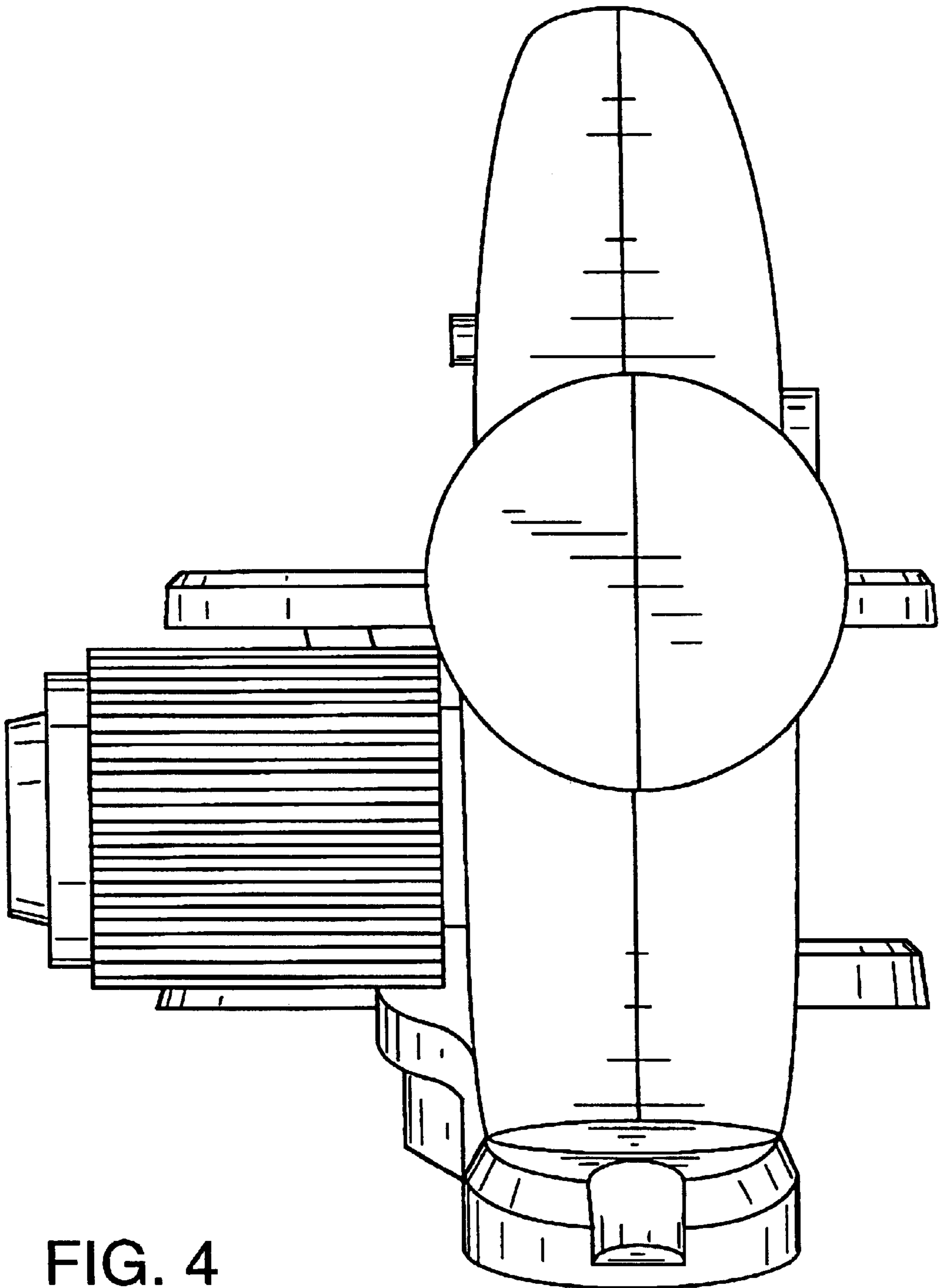


FIG. 4

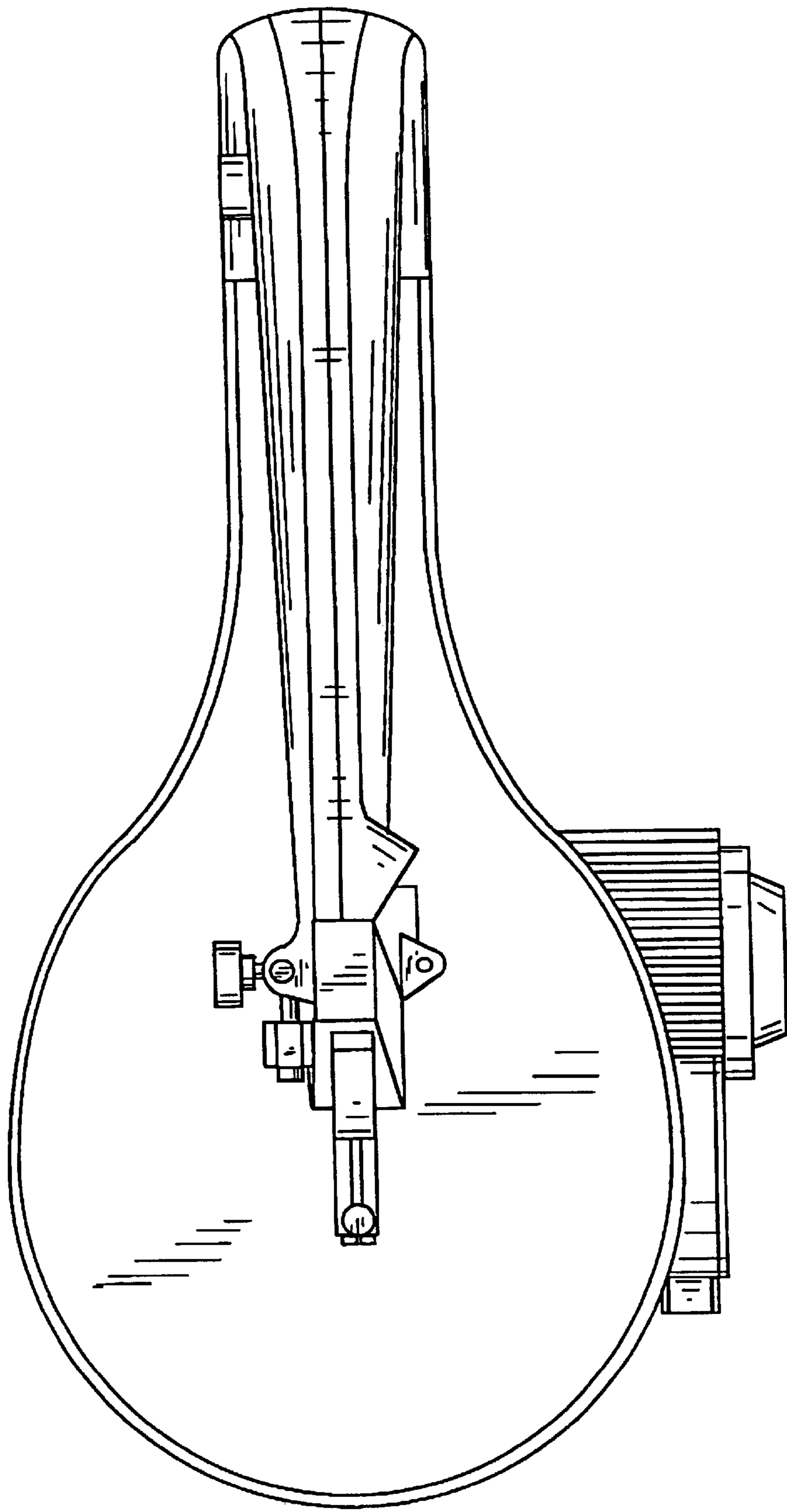


FIG. 5

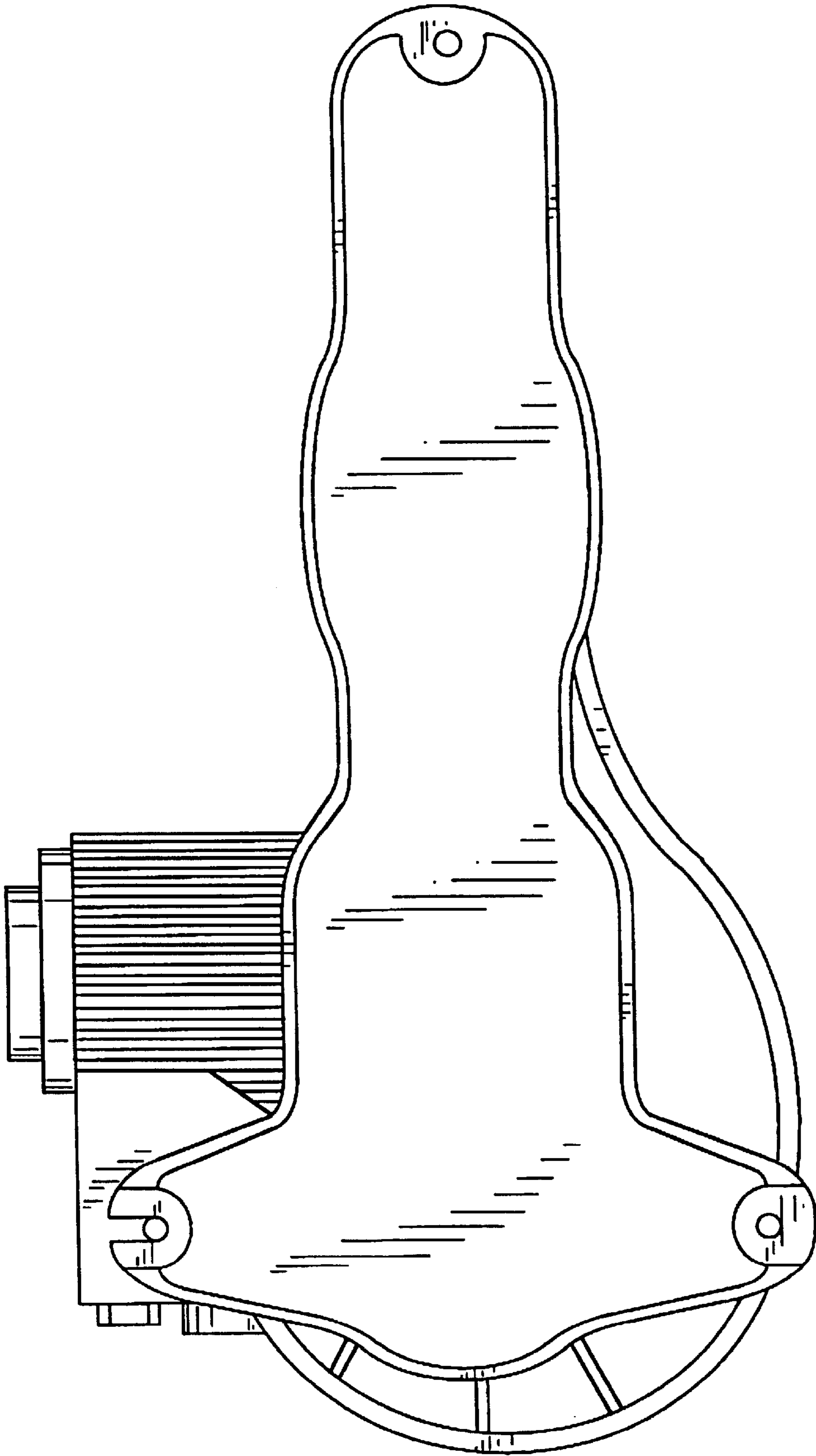


FIG. 6

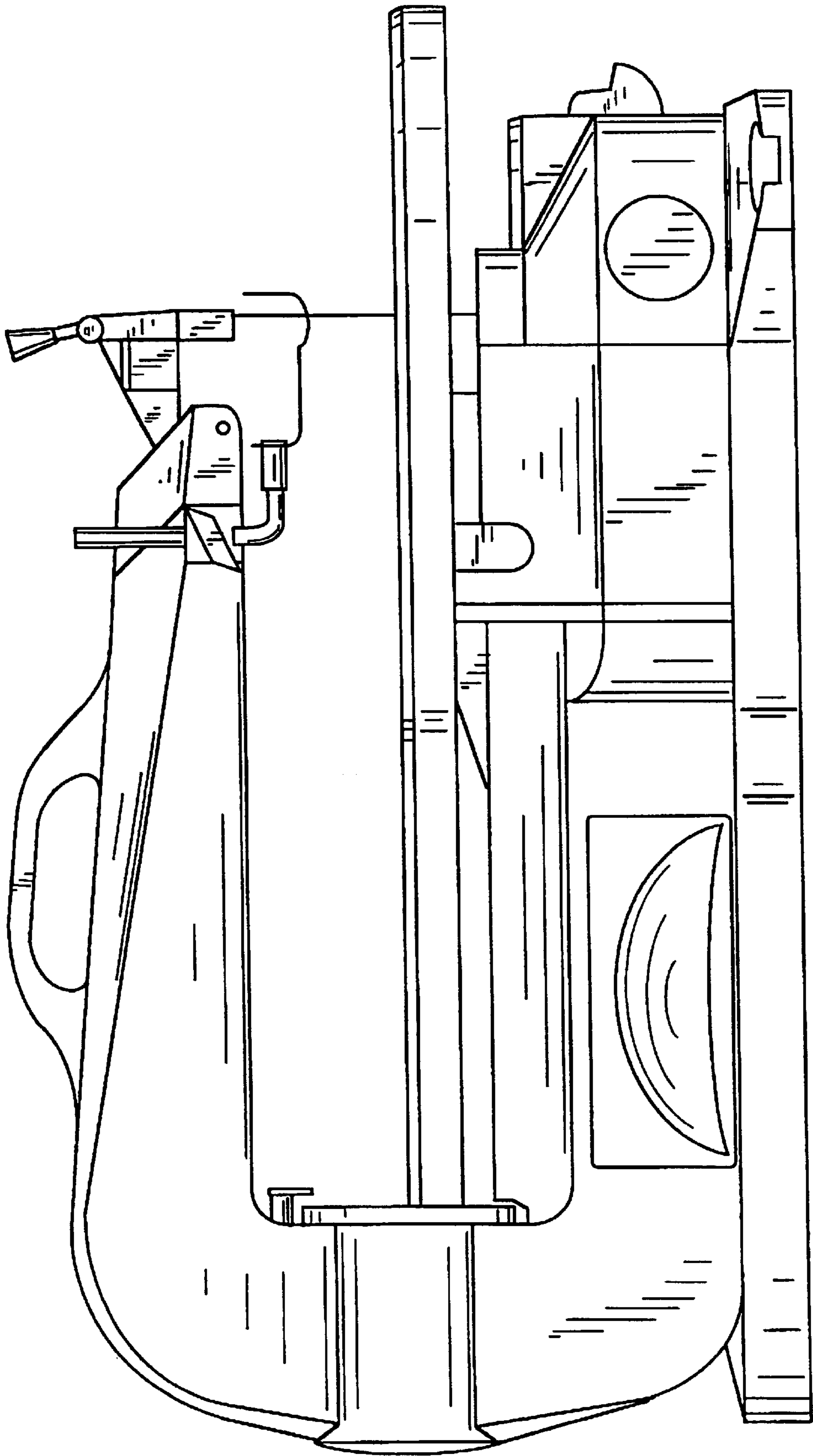


FIG. 7

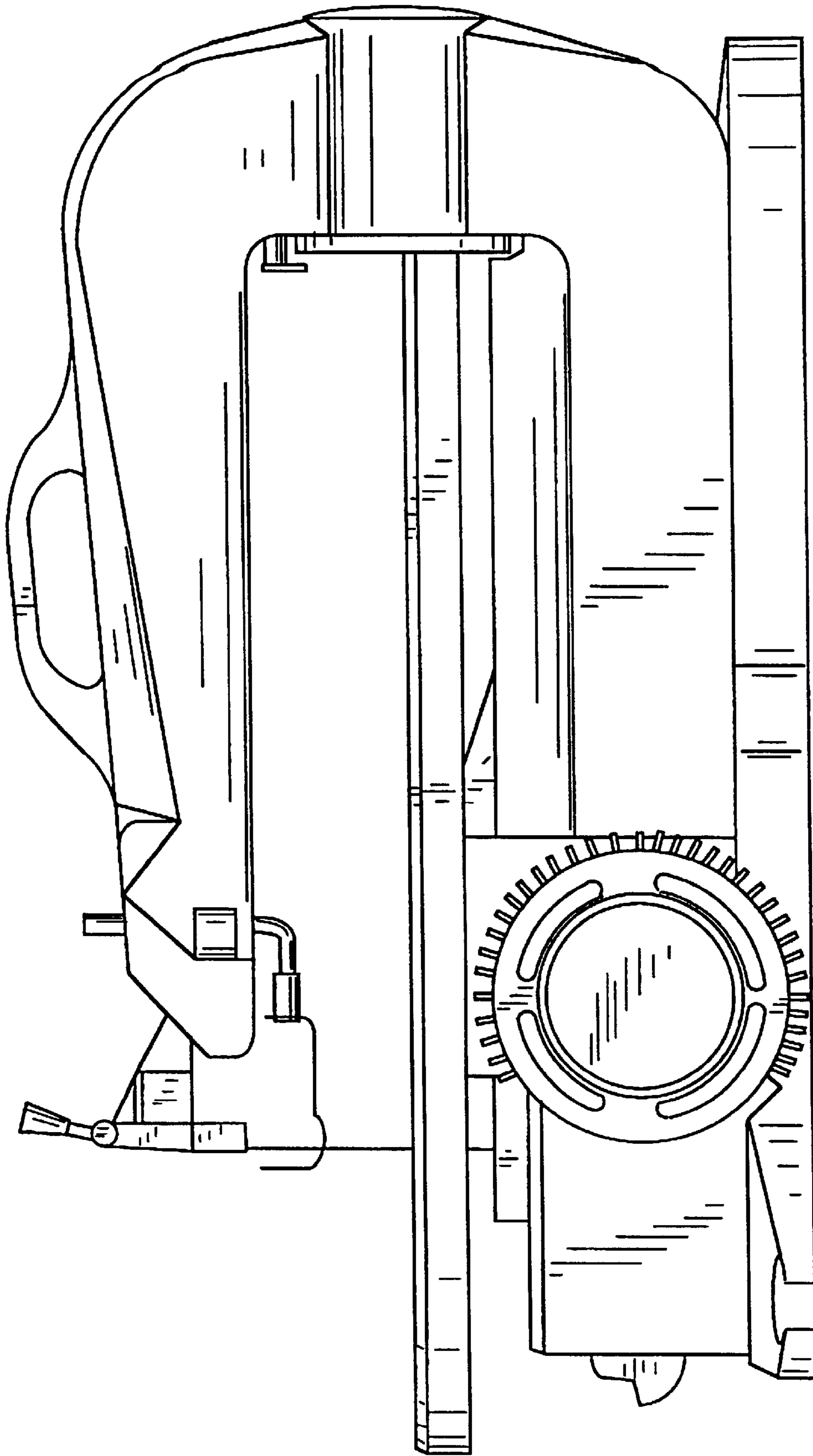


FIG. 8

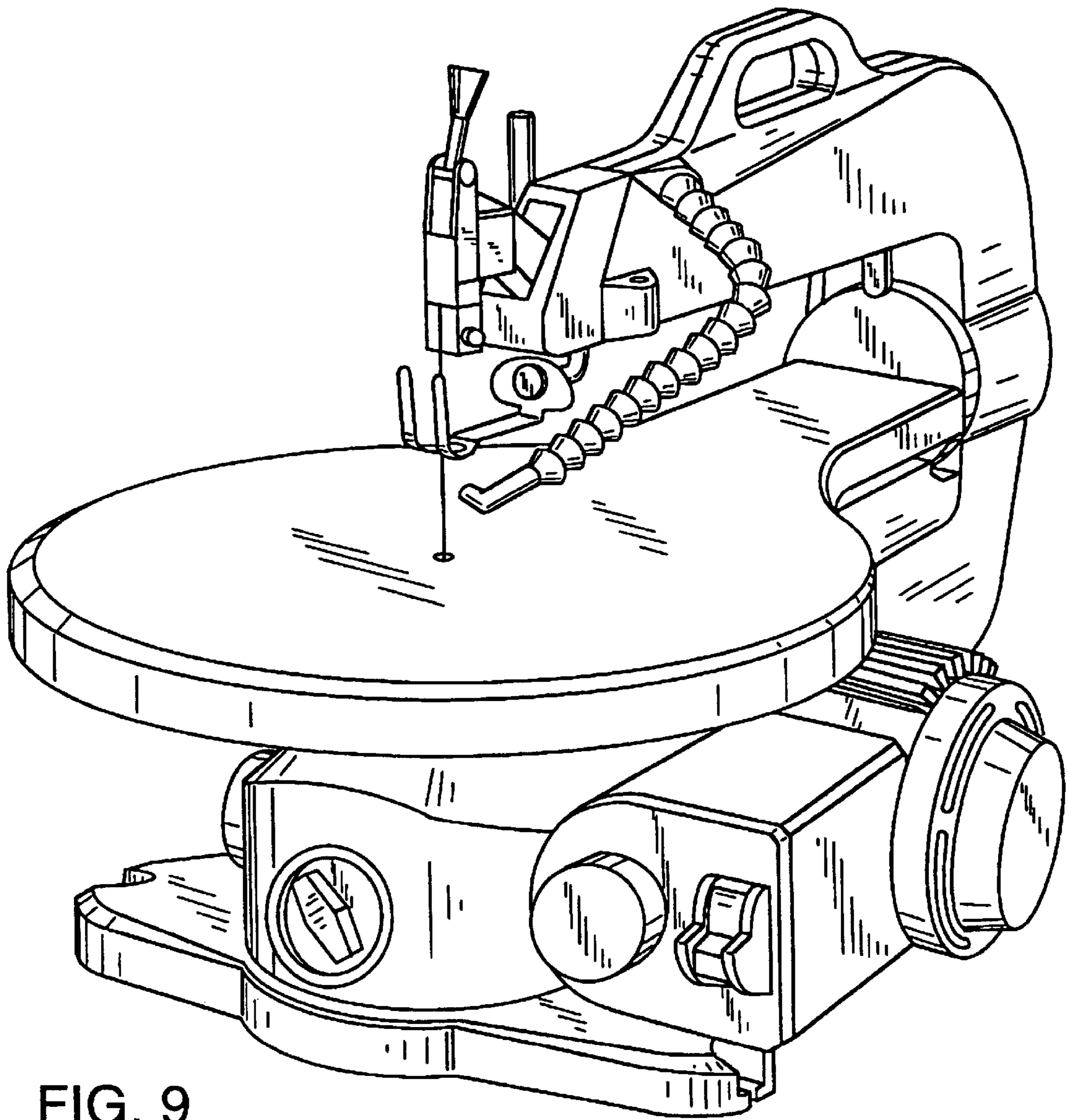


FIG. 9

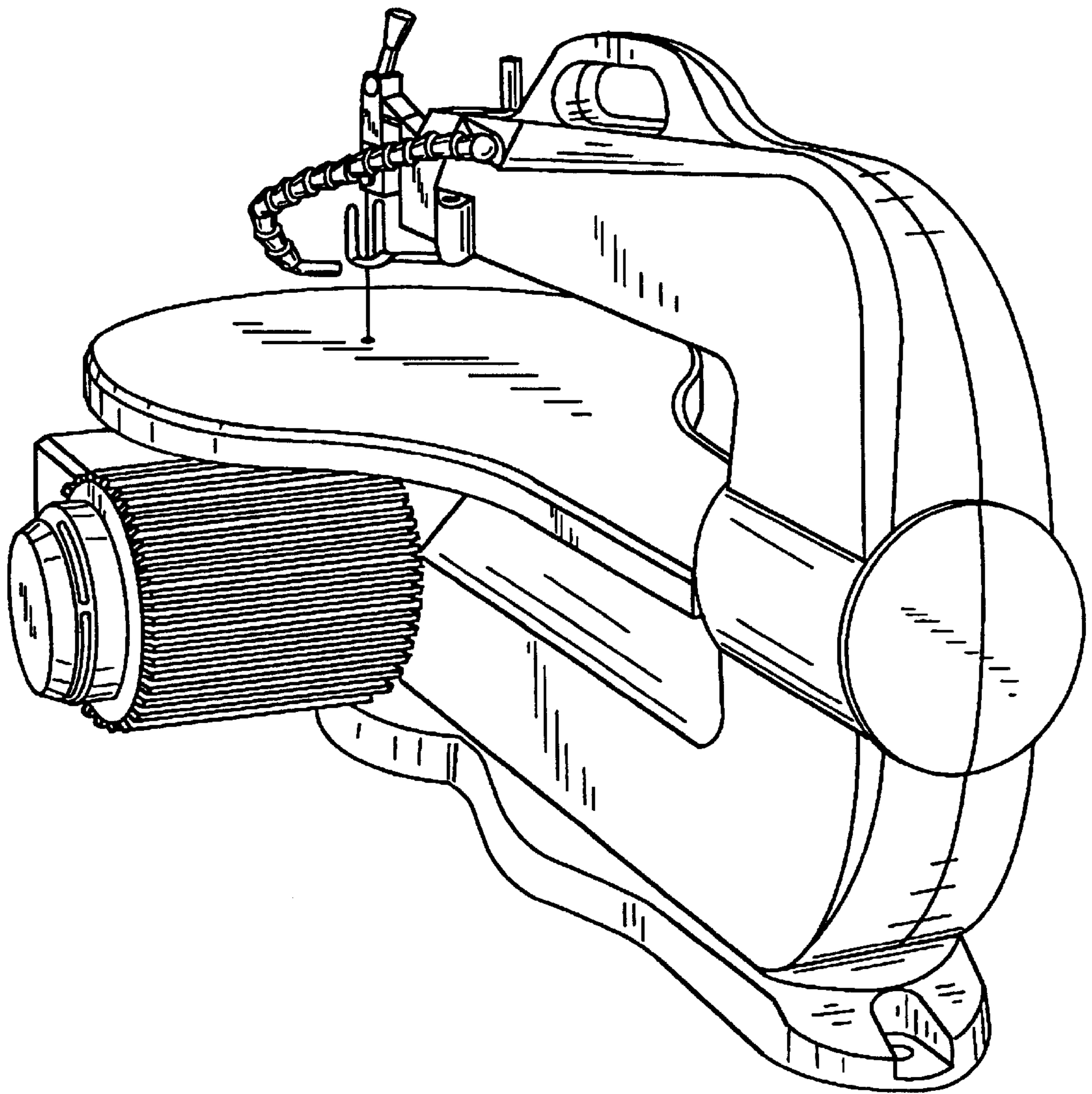


FIG. 10

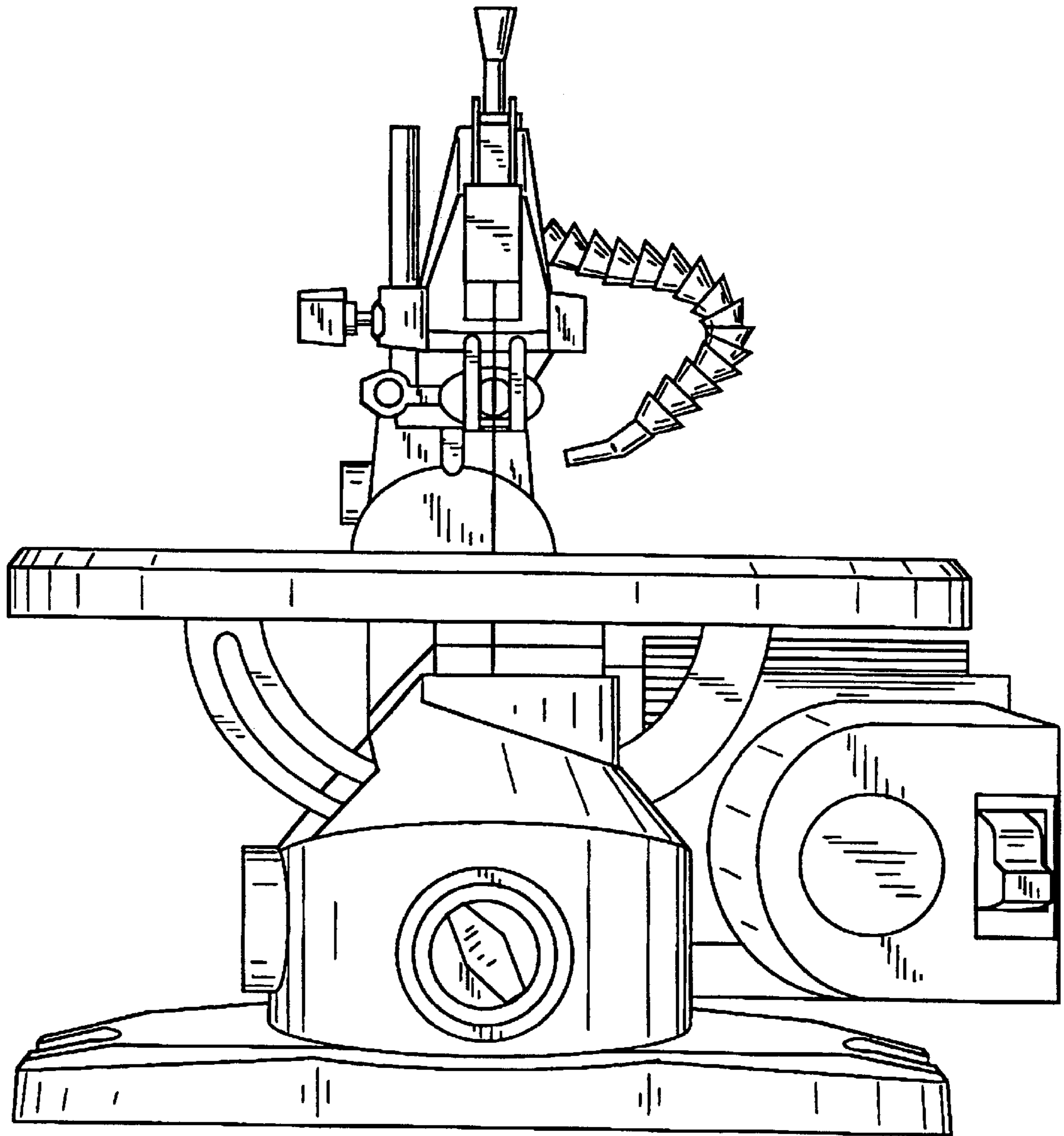


FIG. 11

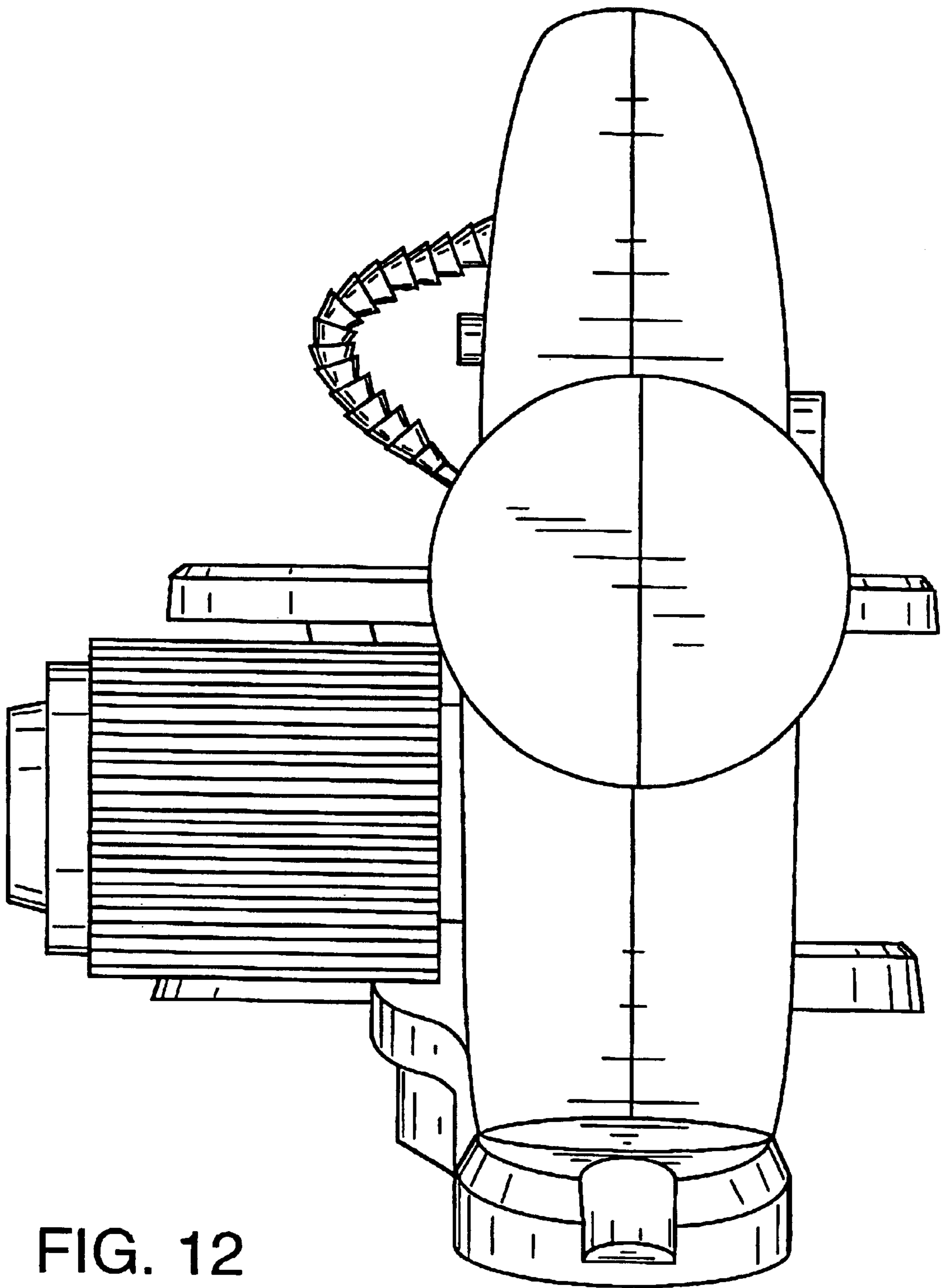


FIG. 12

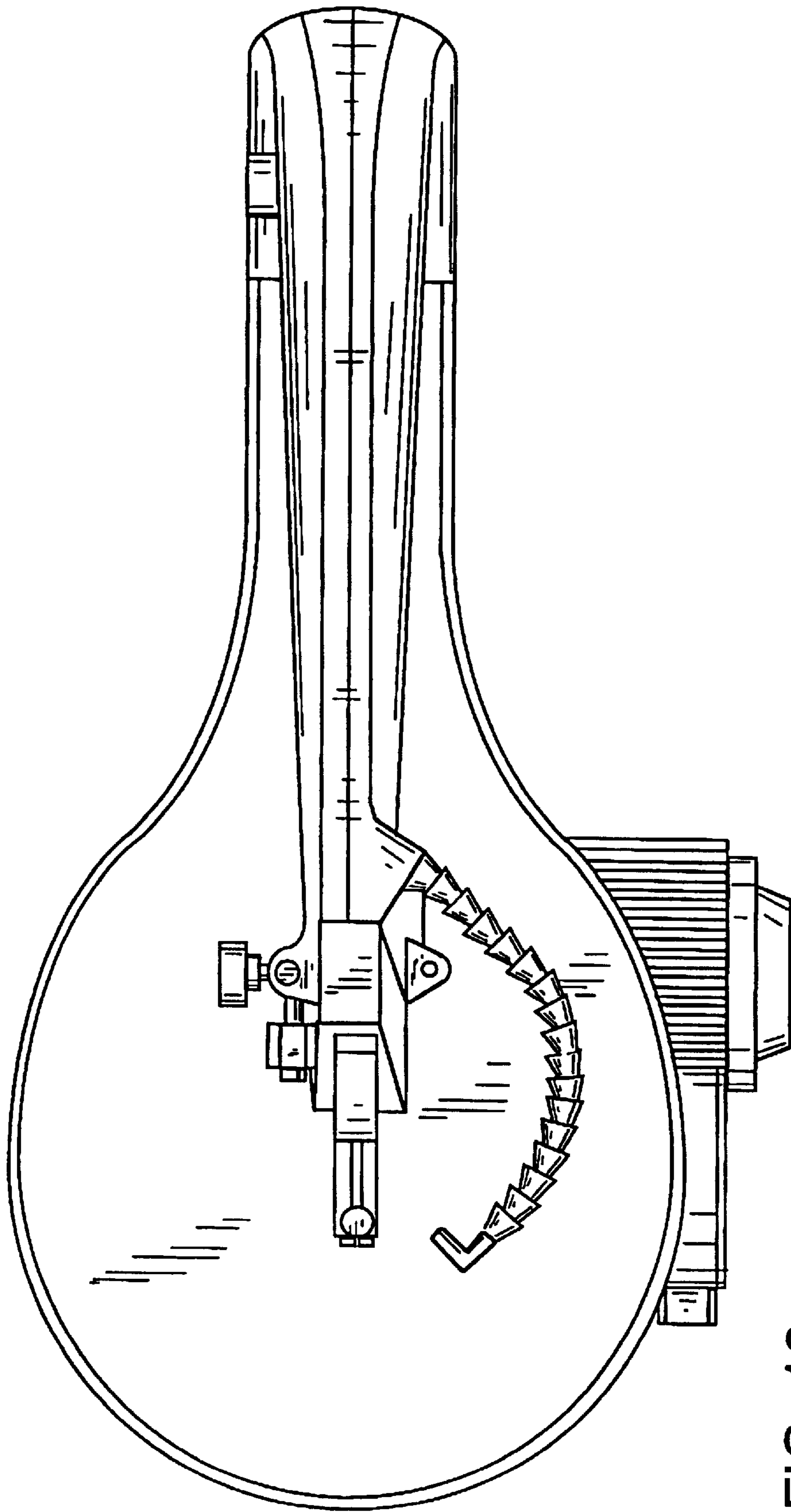


FIG. 13

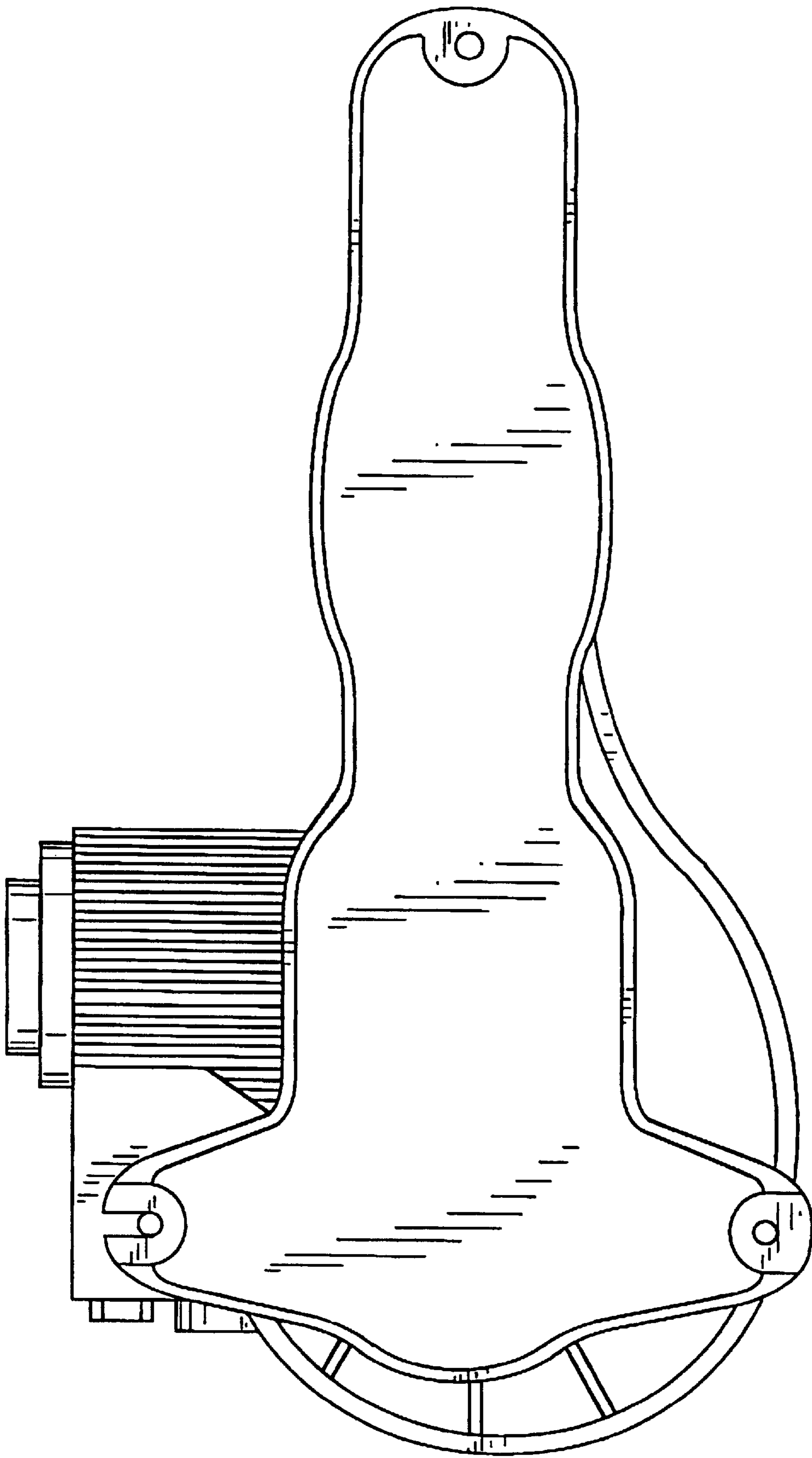


FIG. 14

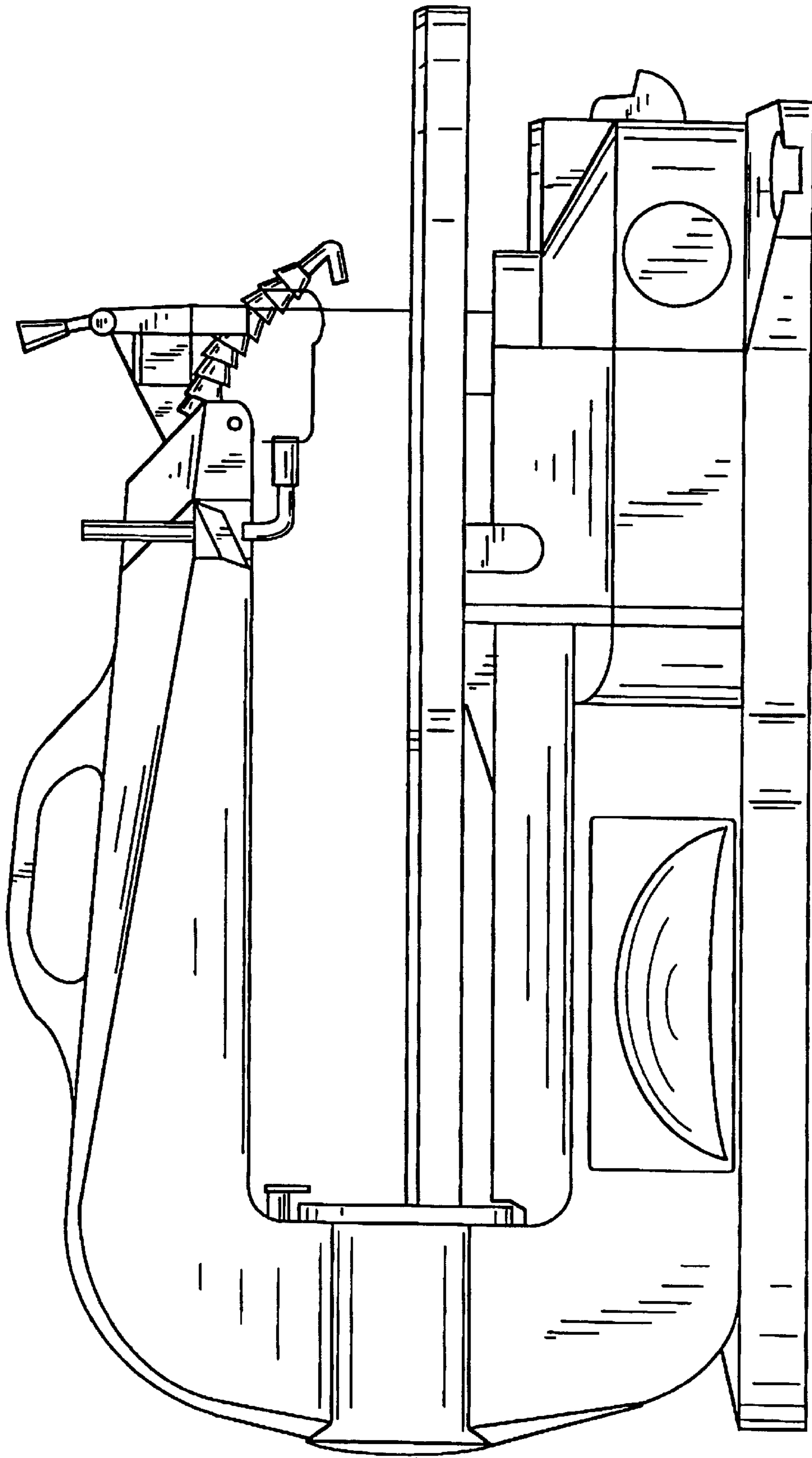


FIG. 15

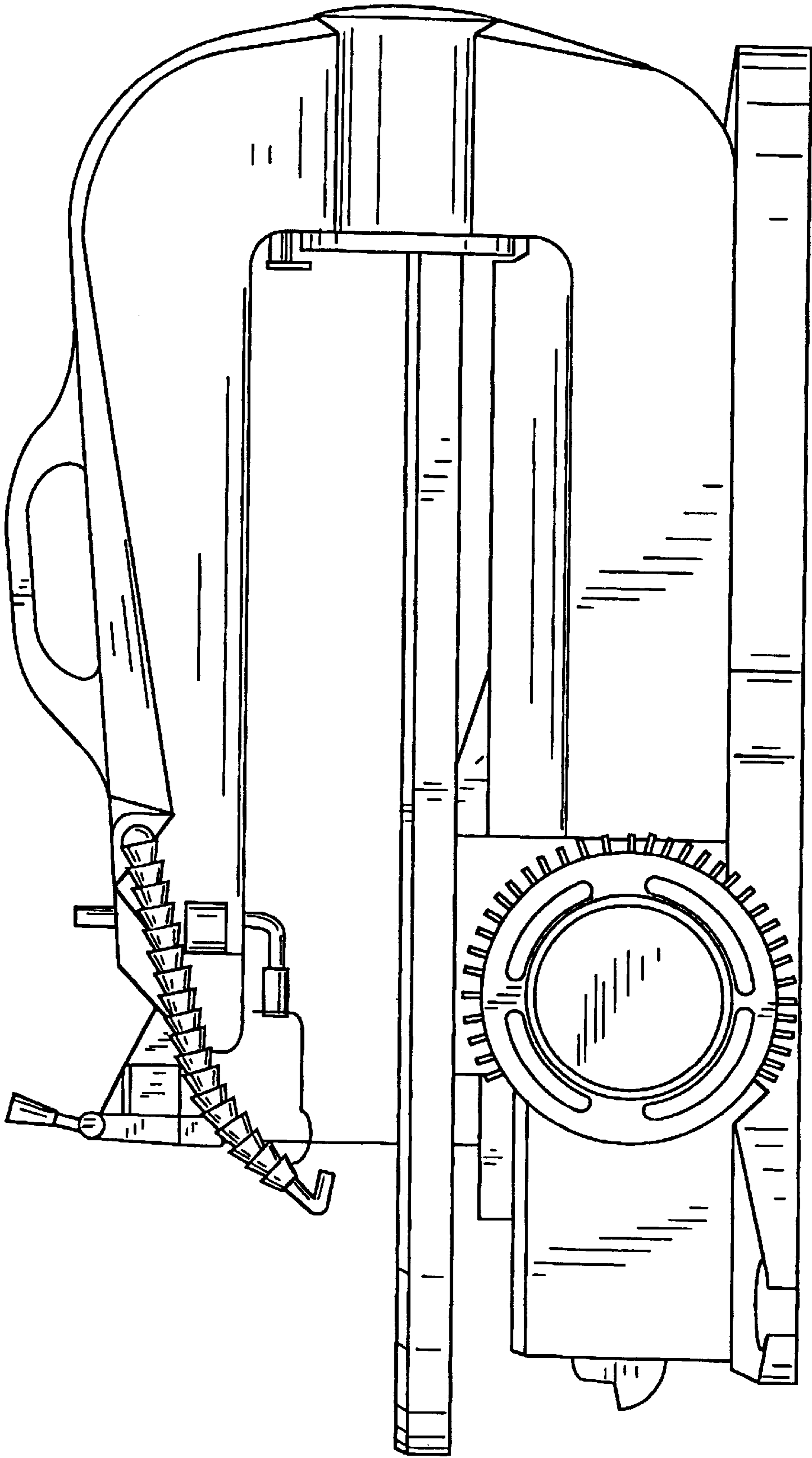


FIG. 16