



US00D453345S

(12) **United States Design Patent**  
**Chen**

(10) **Patent No.:** **US D453,345 S**

(45) **Date of Patent:** **\*\* Feb. 5, 2002**

(54) **TABLE SAW**

D. 411,090 \* 6/1999 Chang ..... D15/133  
D. 425,529 \* 5/2000 Svetlik ..... D15/133

(75) Inventor: **Ruey-Zon Chen, Tali (TW)**

\* cited by examiner

(73) Assignee: **Rexon Industrial Corp., Ltd., Tali (TW)**

*Primary Examiner*—Antoine Duval Davis  
(74) *Attorney, Agent, or Firm*—Bacon & Thomas, PLLC

(\*\*) Term: **14 Years**

(57) **CLAIM**

(21) Appl. No.: **29/127,661**

The ornamental design for a table saw, as shown and described.

(22) Filed: **Aug. 11, 2000**

**DESCRIPTION**

(51) **LOC (7) Cl.** ..... **15-09**

(52) **U.S. Cl.** ..... **D15/133**

(58) **Field of Search** ..... D15/133; 83/432, 83/435, 468.7, 468.3, 477, 477.2, 478

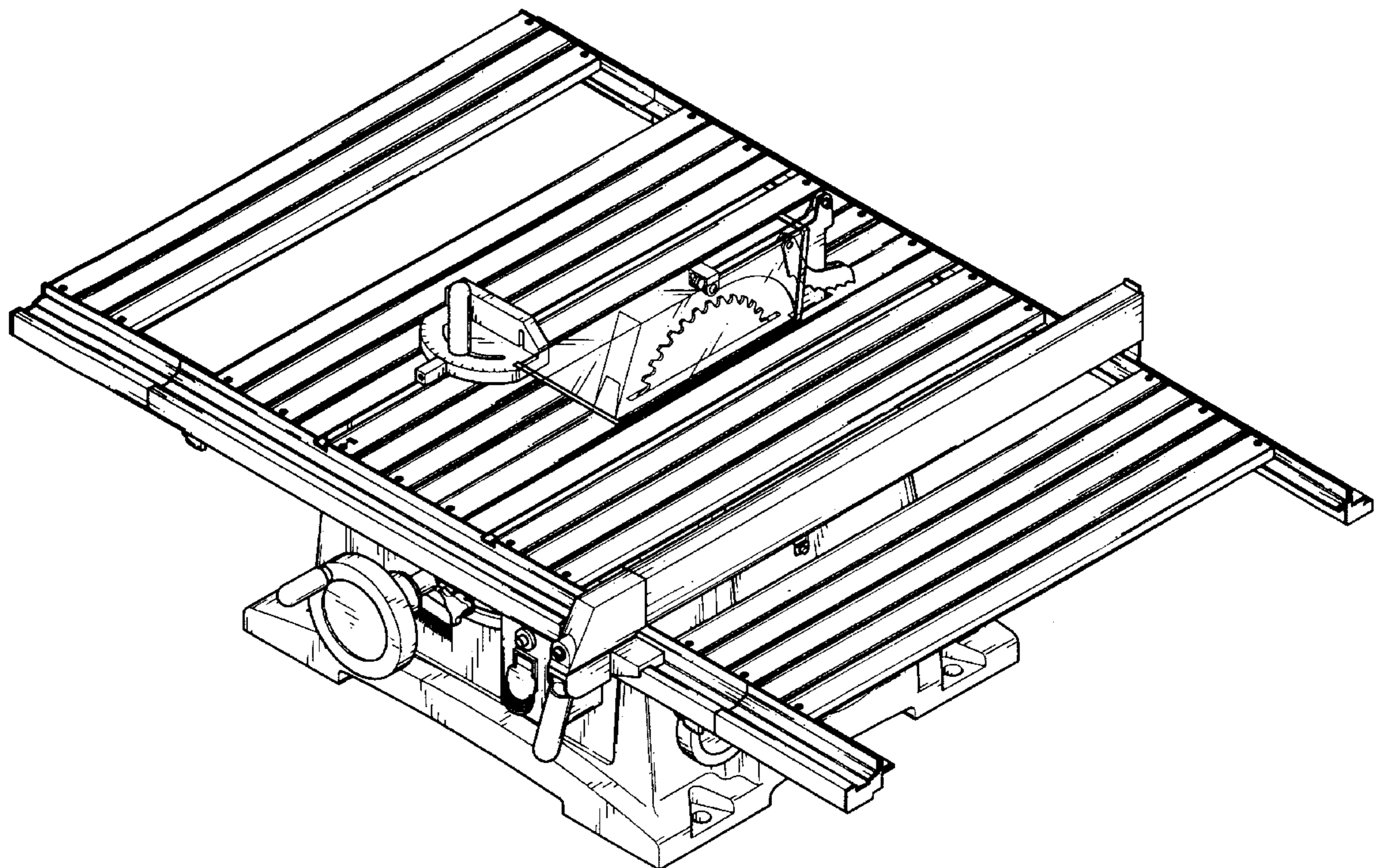
FIG. 1 is a front-right-top perspective view of a table saw showing my new design;  
FIG. 2 is a front elevational view thereof;  
FIG. 3 is a rear elevational view thereof;  
FIG. 4 is a top plane view thereof;  
FIG. 5 is a bottom plane view thereof;  
FIG. 6 is a left elevational view thereof; and,  
FIG. 7 is a right elevational view thereof.

(56) **References Cited**

**U.S. PATENT DOCUMENTS**

D. 354,757 \* 1/1995 Wixey ..... D15/133  
D. 377,654 \* 1/1997 Jedlicks et al. .... D15/133  
D. 394,071 \* 5/1998 Ceroll et al. .... D15/133

**1 Claim, 6 Drawing Sheets**



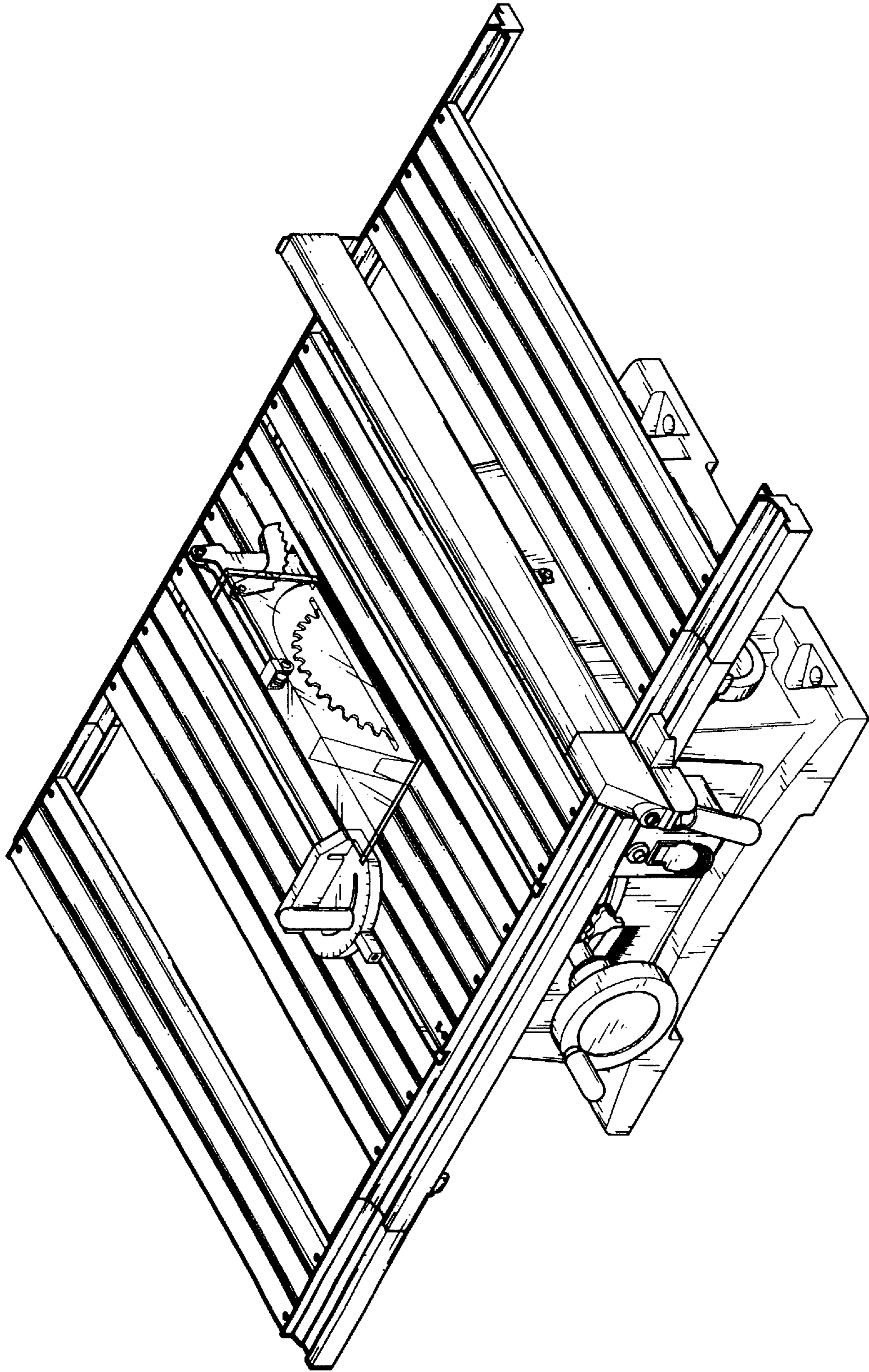


FIG. 1

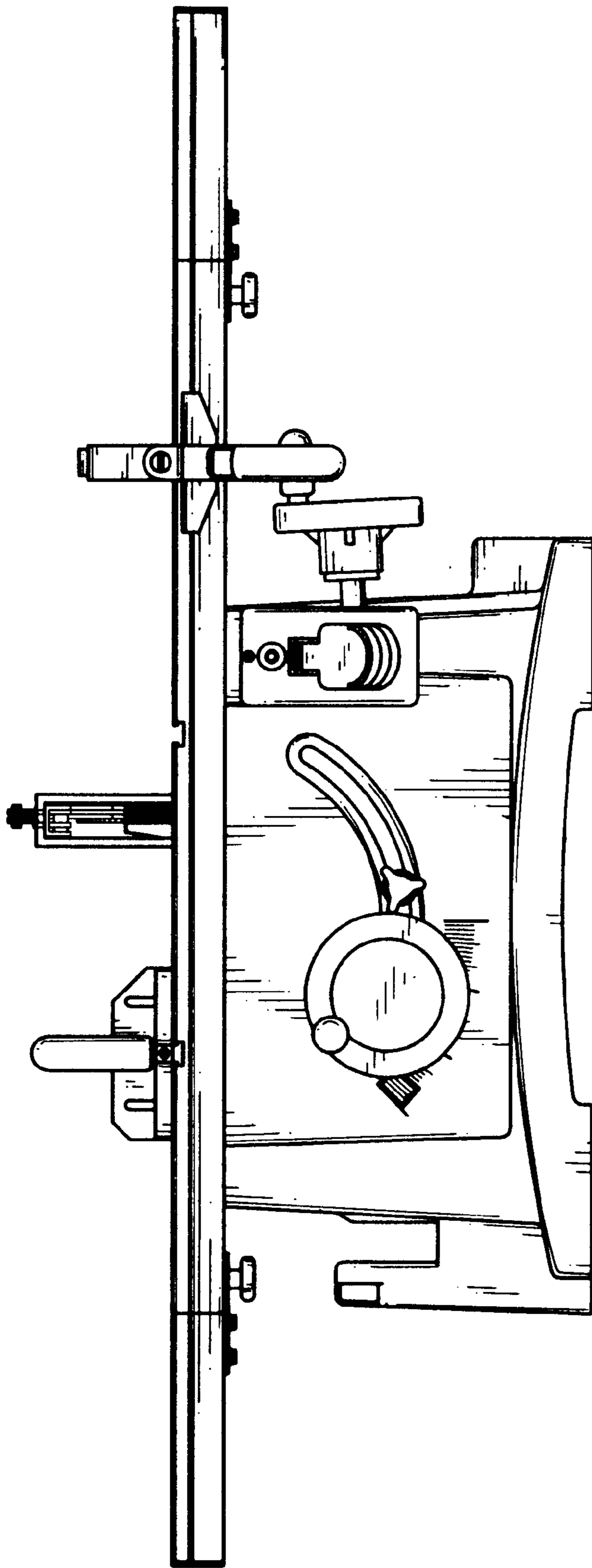


FIG. 2

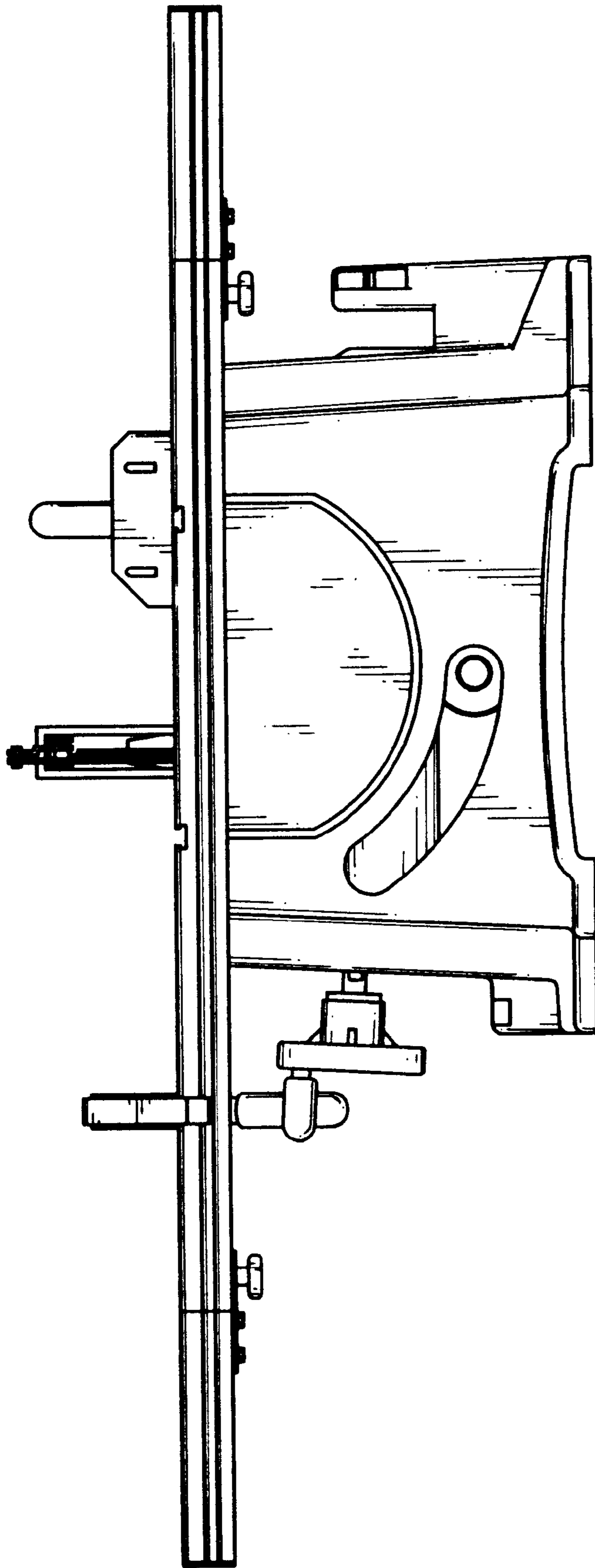


FIG. 3

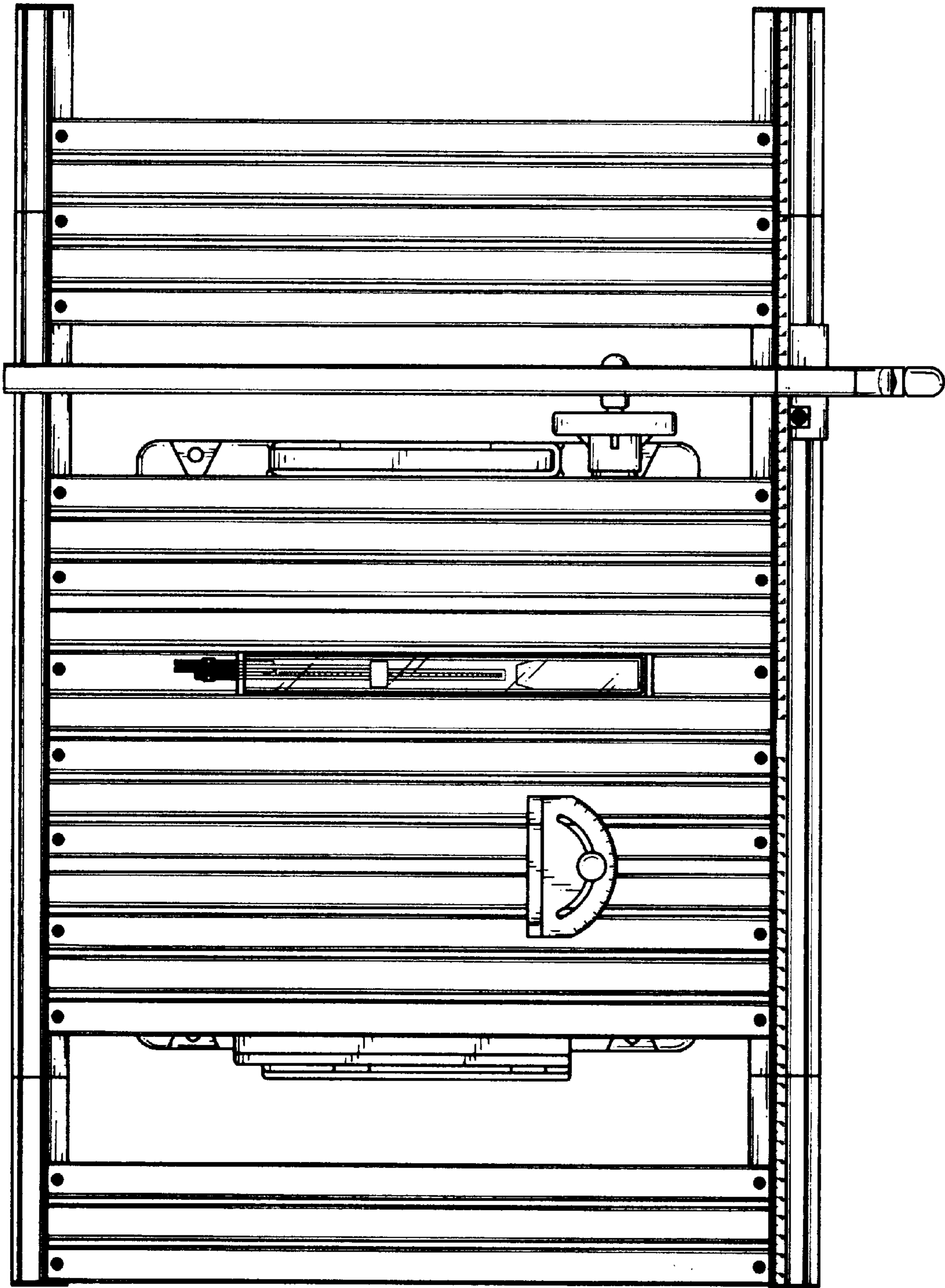


FIG. 4

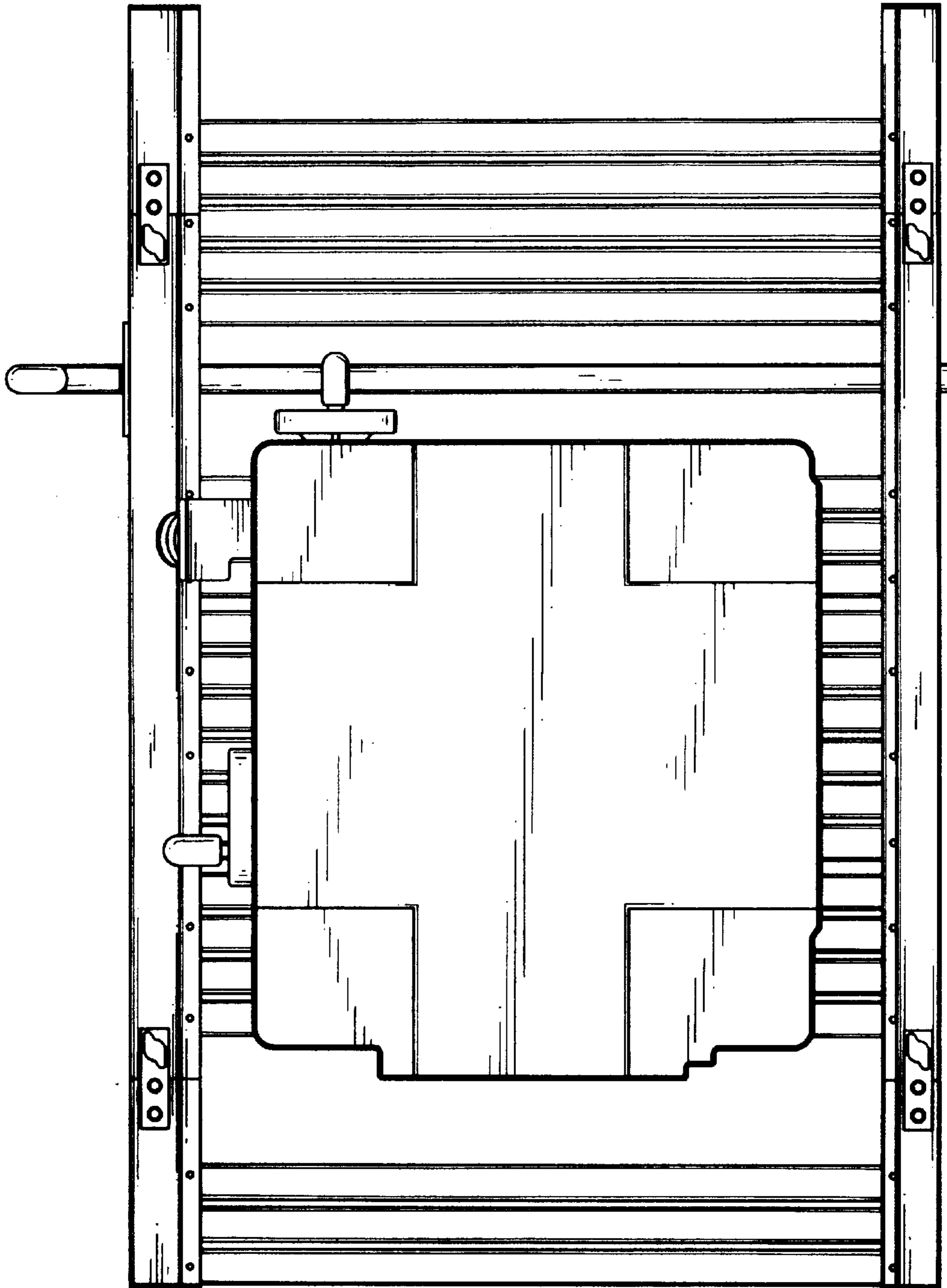


FIG. 5

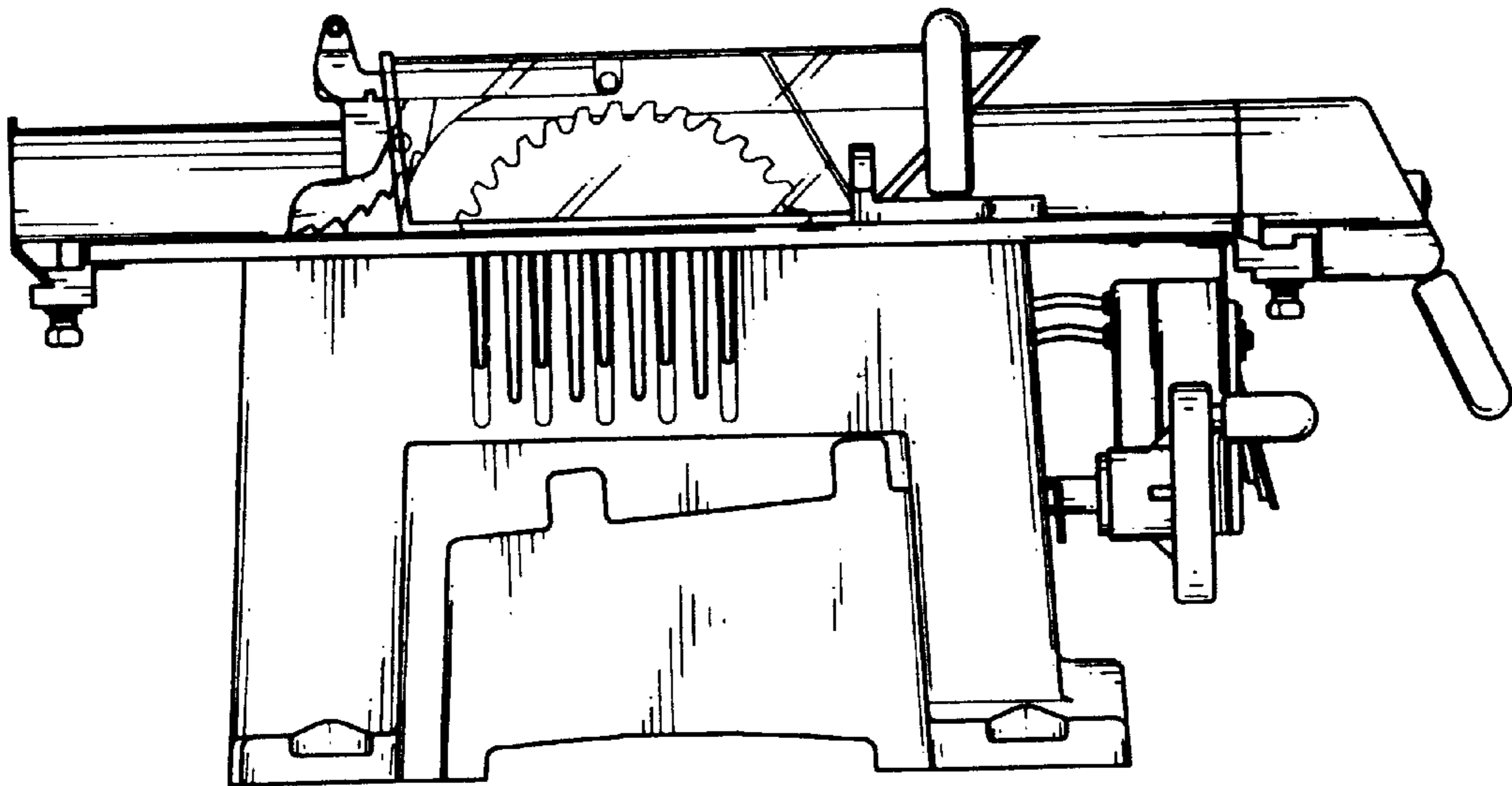


FIG. 6

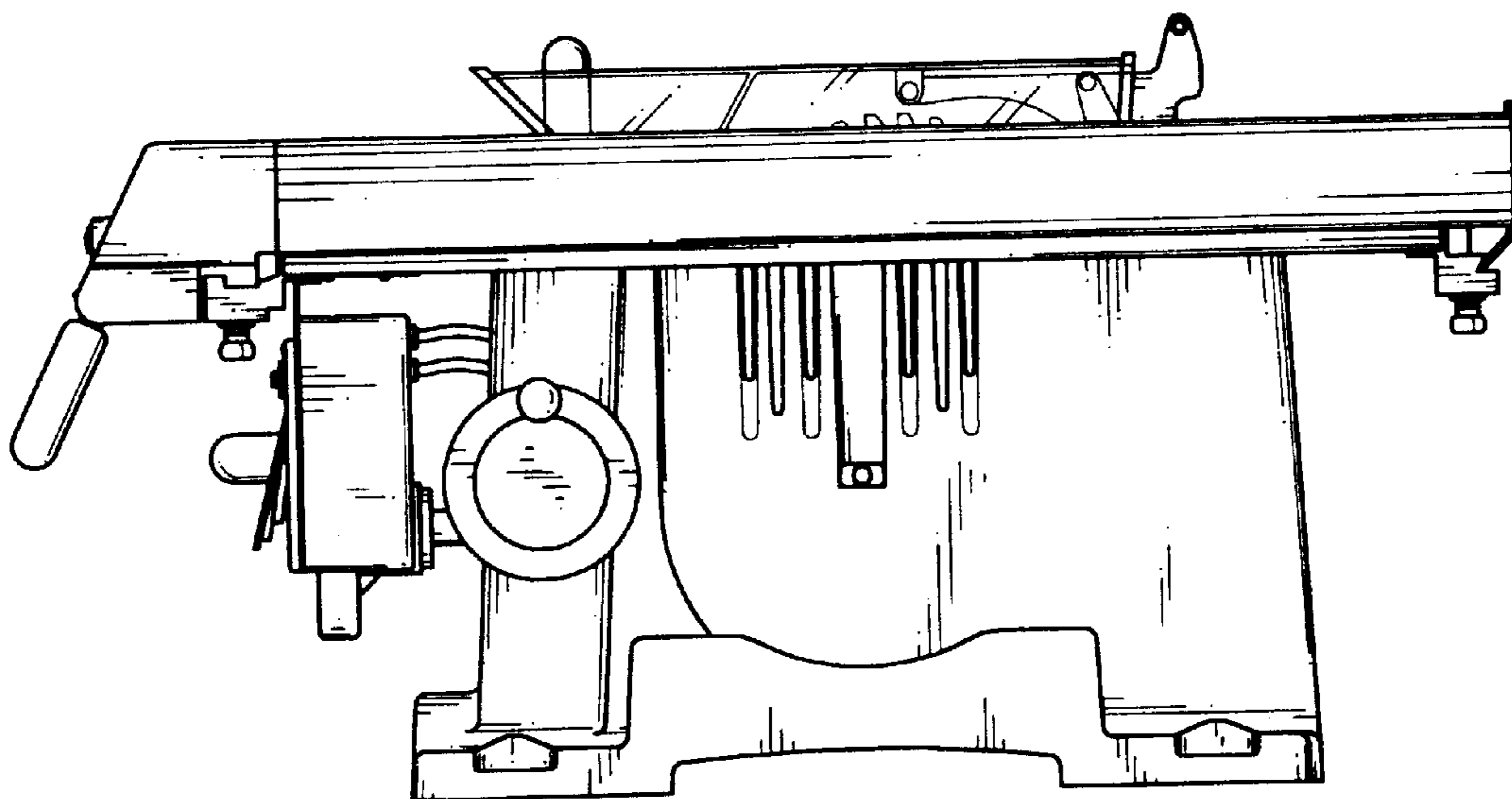


FIG. 7