



US00D453344S

(12) **United States Design Patent**
Smith et al.

(10) **Patent No.:** **US D453,344 S**

(45) **Date of Patent:** **** Feb. 5, 2002**

(54) **RIDING CONCRETE FINISHING TROWEL**

(75) Inventors: **Peter J. Smith**, Hartford; **Ronald R. Sartler**, West Bend, both of WI (US)

(73) Assignee: **Wacker Corporation**, Menomonee Falls, WI (US)

(**) Term: **14 Years**

(21) Appl. No.: **29/126,979**

(22) Filed: **Jul. 27, 2000**

(51) **LOC (7) Cl.** **15-03**

(52) **U.S. Cl.** **D15/10**

(58) **Field of Search** D15/10; 404/85,
404/96, 112

(56) **References Cited**

U.S. PATENT DOCUMENTS

4,046,483	A	9/1977	Sutherland	404/112
4,046,484	A	9/1977	Holz, Sr. et al.	404/112
D323,510	S	* 1/1992	Allen et al.	D15/10
5,108,220	A	4/1992	Allen et al.	404/112
5,238,323	A	8/1993	Allen et al.	404/112
D344,736	S	* 3/1994	Allen et al.	D15/10
5,480,257	A	1/1996	Allen	404/112
5,632,570	A	5/1997	Balling	404/112
5,658,089	A	8/1997	Allen	404/112
5,685,667	A	11/1997	Allen	404/112
5,803,658	A	9/1998	Allen	404/112
5,816,740	A	10/1998	Jaskowiak	404/112
D400,542	S	* 11/1998	Allen	D15/10
5,890,833	A	4/1999	Allen et al.	404/112
6,053,660	A	4/2000	Allen et al.	404/112

OTHER PUBLICATIONS

Whiteman Industries Inc., HTH-Series Ride-On Power Trowels, Jan. 1997.

Whiteman Industries Inc., Ride-On Power Trowels brochure, Mar. 1997.

* cited by examiner

Primary Examiner—Mitchell Siegel

(74) *Attorney, Agent, or Firm*—Boyle Fredrickson Newholm Stein & Gratz S.C.

(57) **CLAIM**

The ornamental design for a riding concrete finishing trowel, as shown and described.

DESCRIPTION

FIG. 1 is perspective view of a riding concrete finishing trowel incorporating an embodiment of our new design and viewed from above, in front of, and to the right of the riding concrete finishing trowel;

FIG. 2 is a front-side elevation view of the riding concrete finishing trowel of FIG. 1;

FIG. 3 is a rear-side elevation view of the riding concrete finishing trowel of FIG. 1;

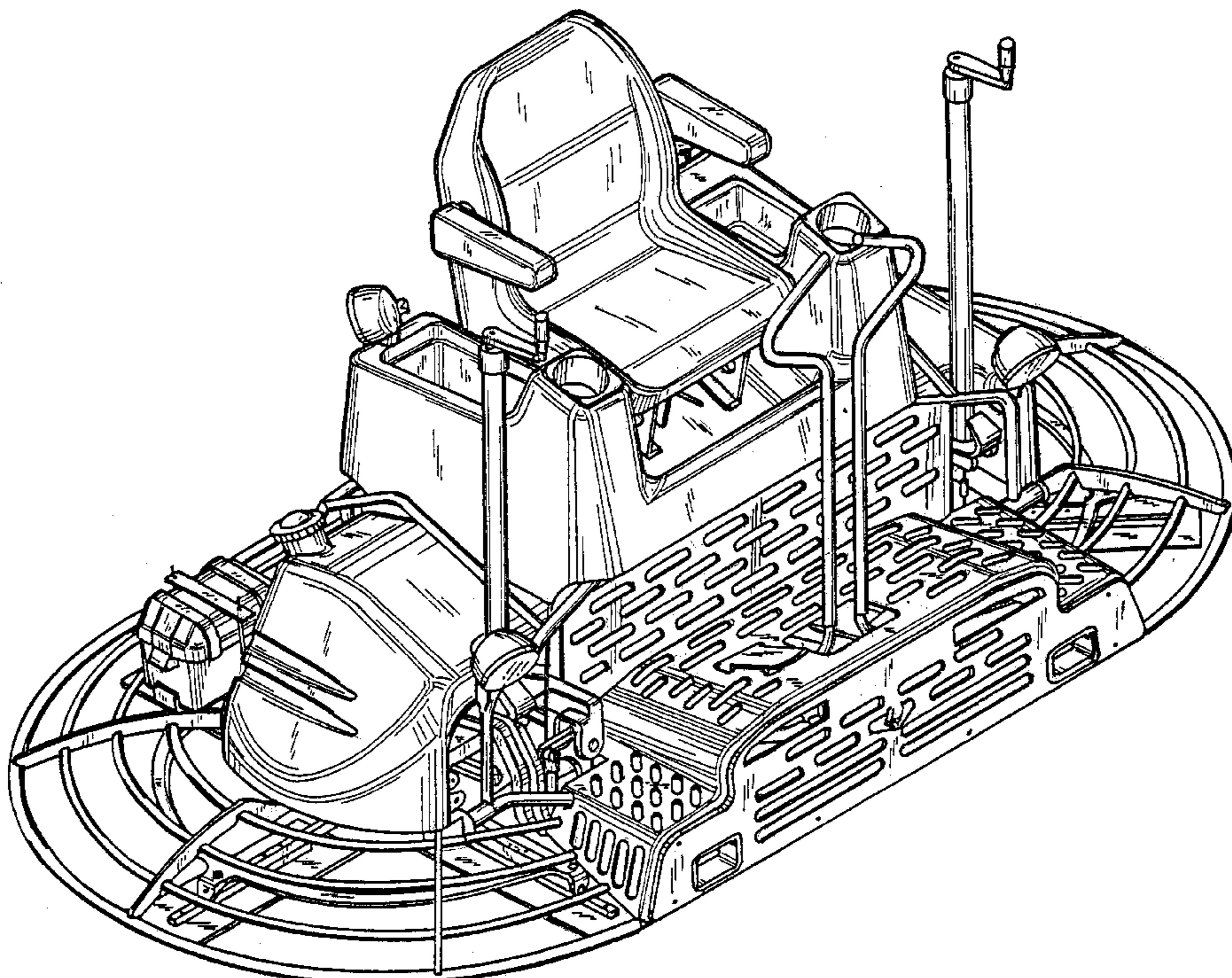
FIG. 4 is a right-side elevation view of the riding concrete finishing trowel of FIG. 1;

FIG. 5 is a left-side elevation view of the riding concrete finishing trowel of FIG. 1;

FIG. 6 is a top plan view of the riding concrete finishing trowel of FIG. 1; and,

FIG. 7 is a bottom plan view of the riding concrete finishing trowel of FIG. 1.

1 Claim, 7 Drawing Sheets



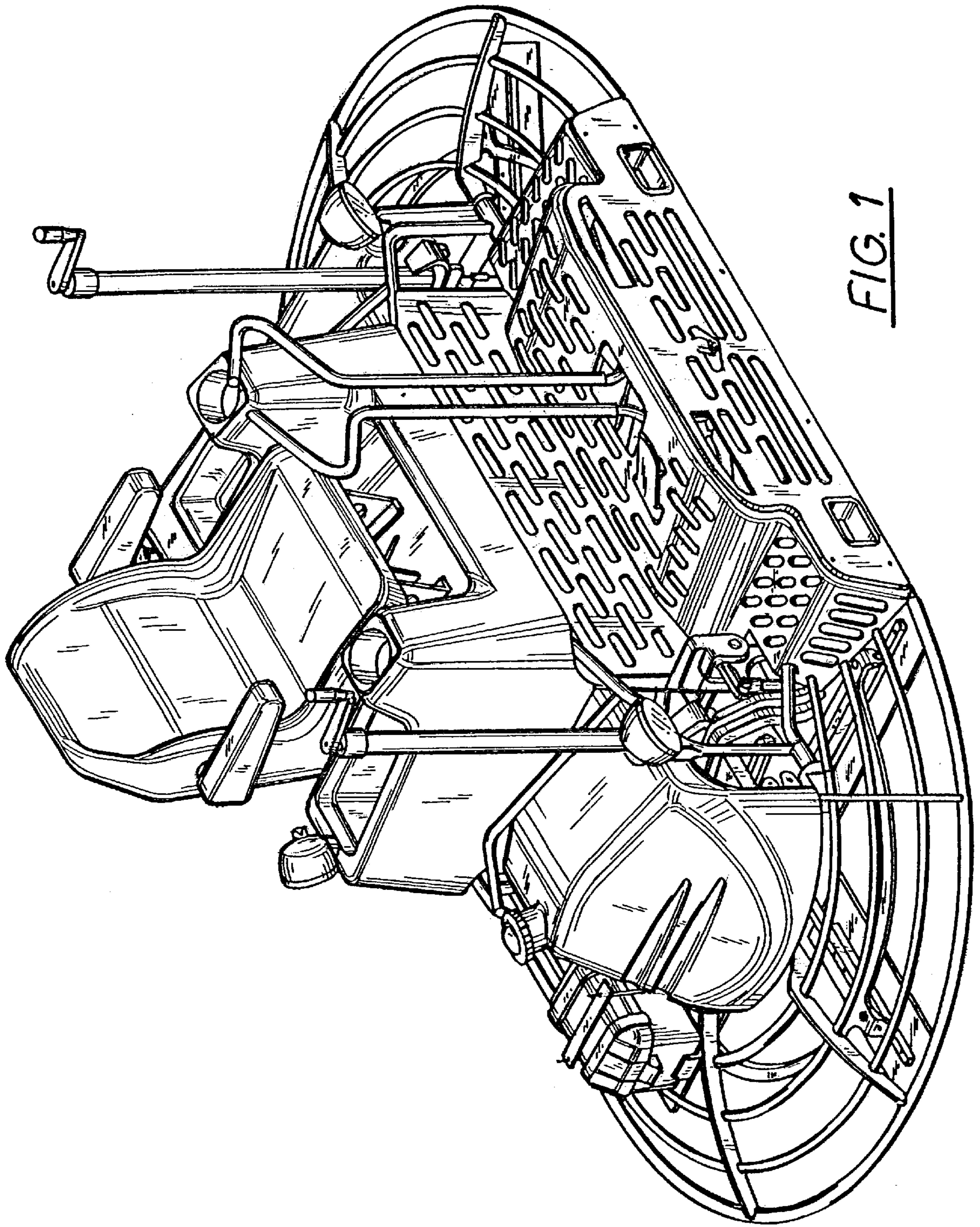


FIG. 1

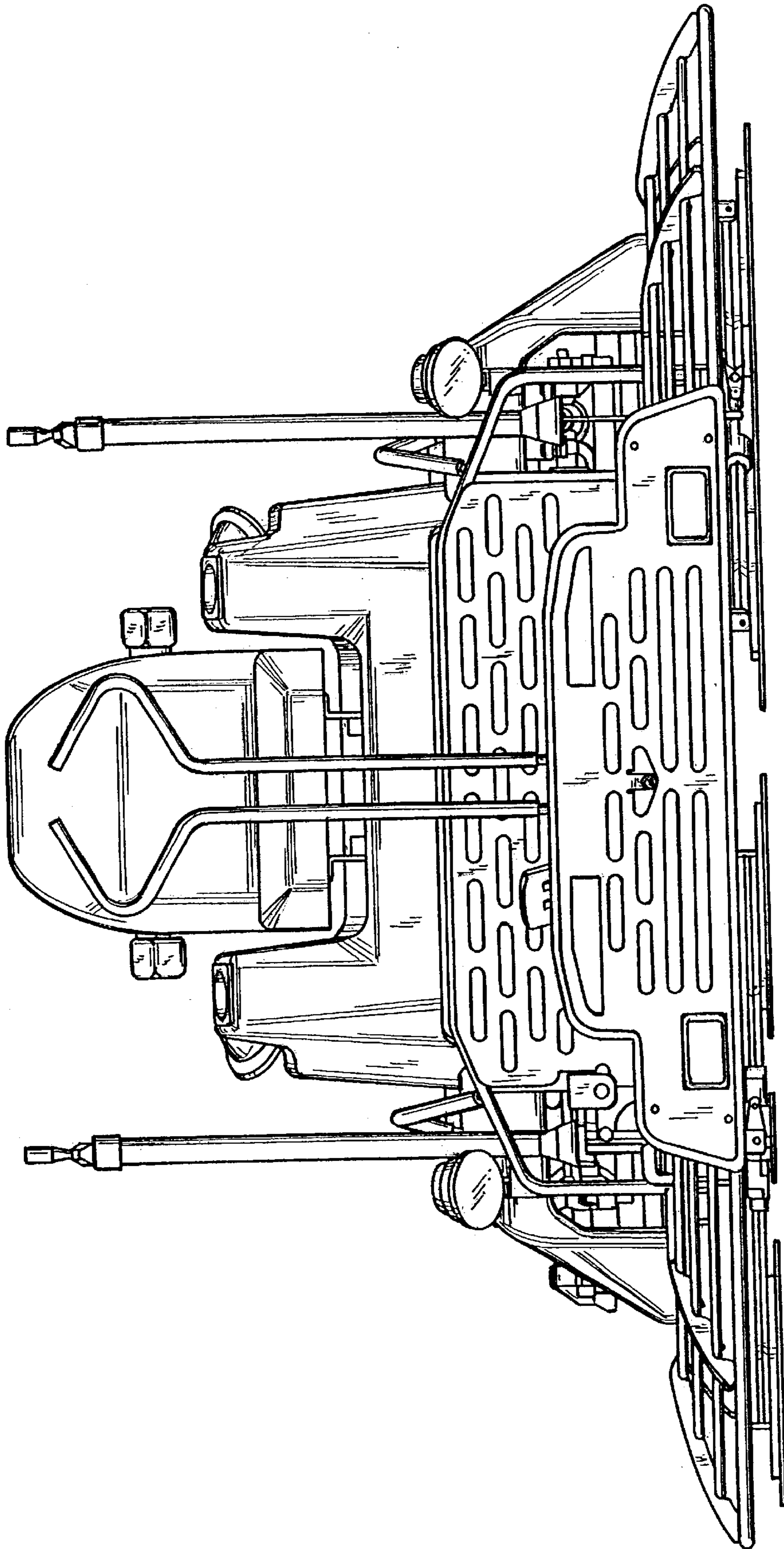


FIG. 2

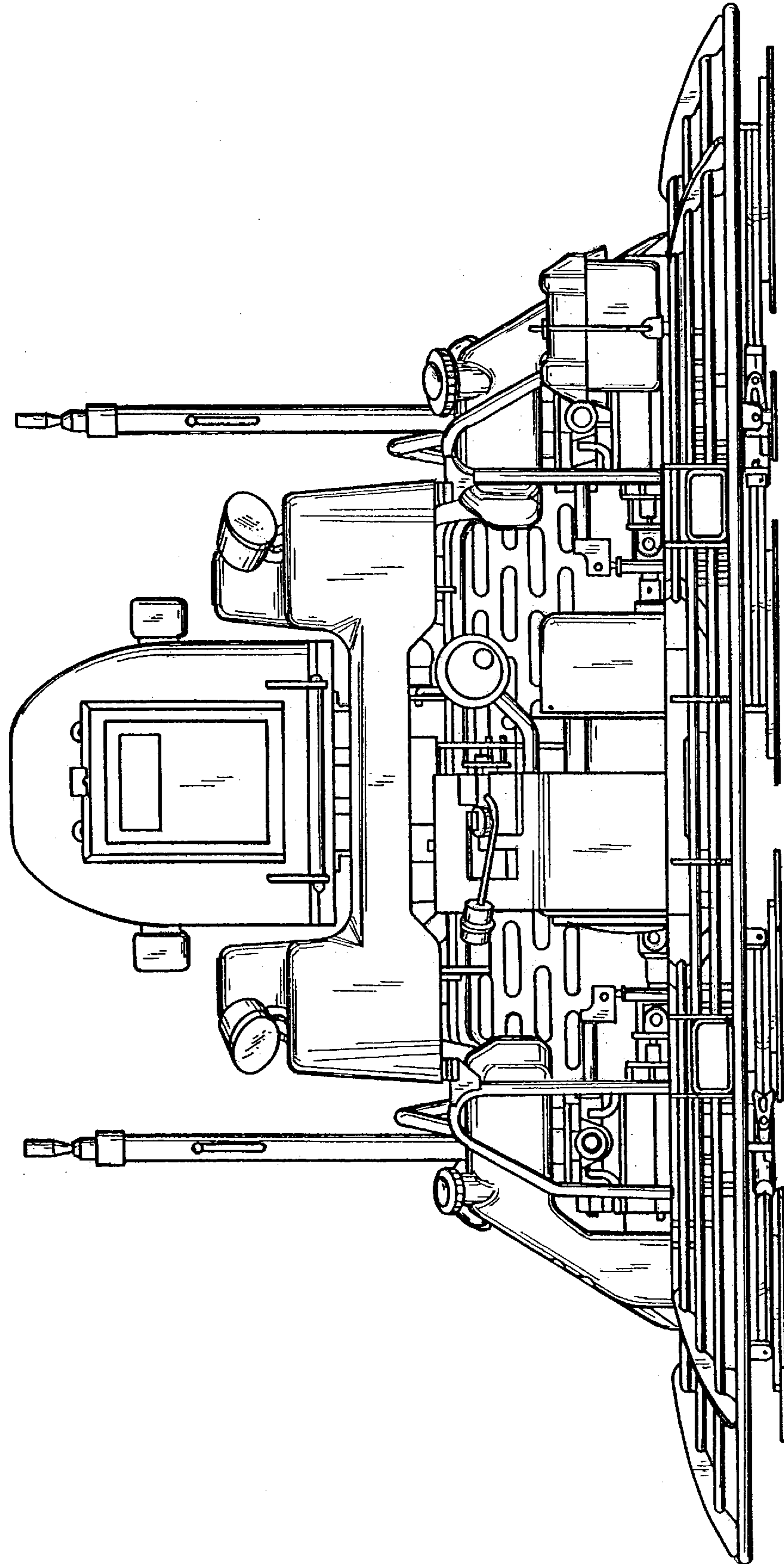


FIG. 3

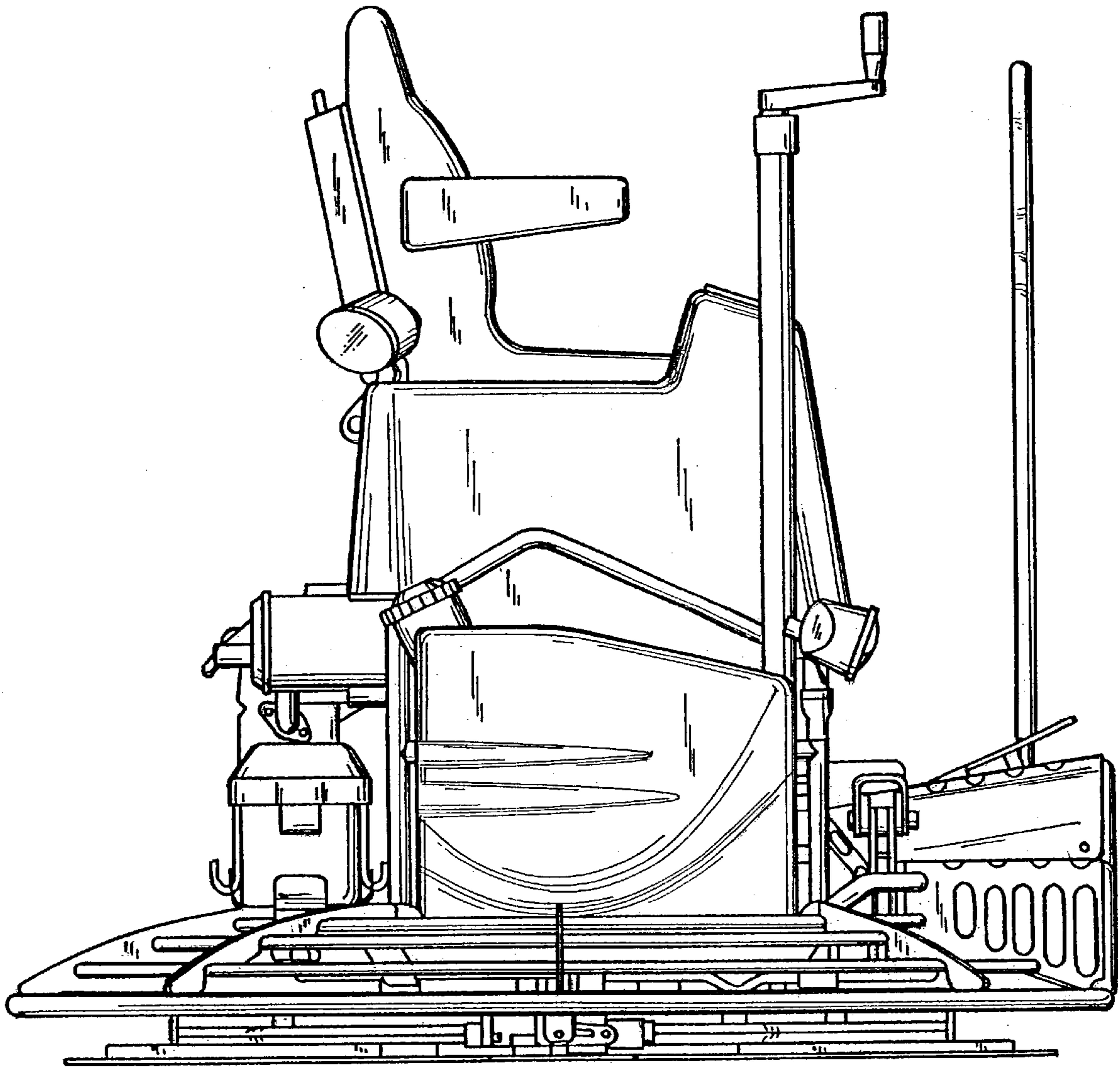


FIG. 4

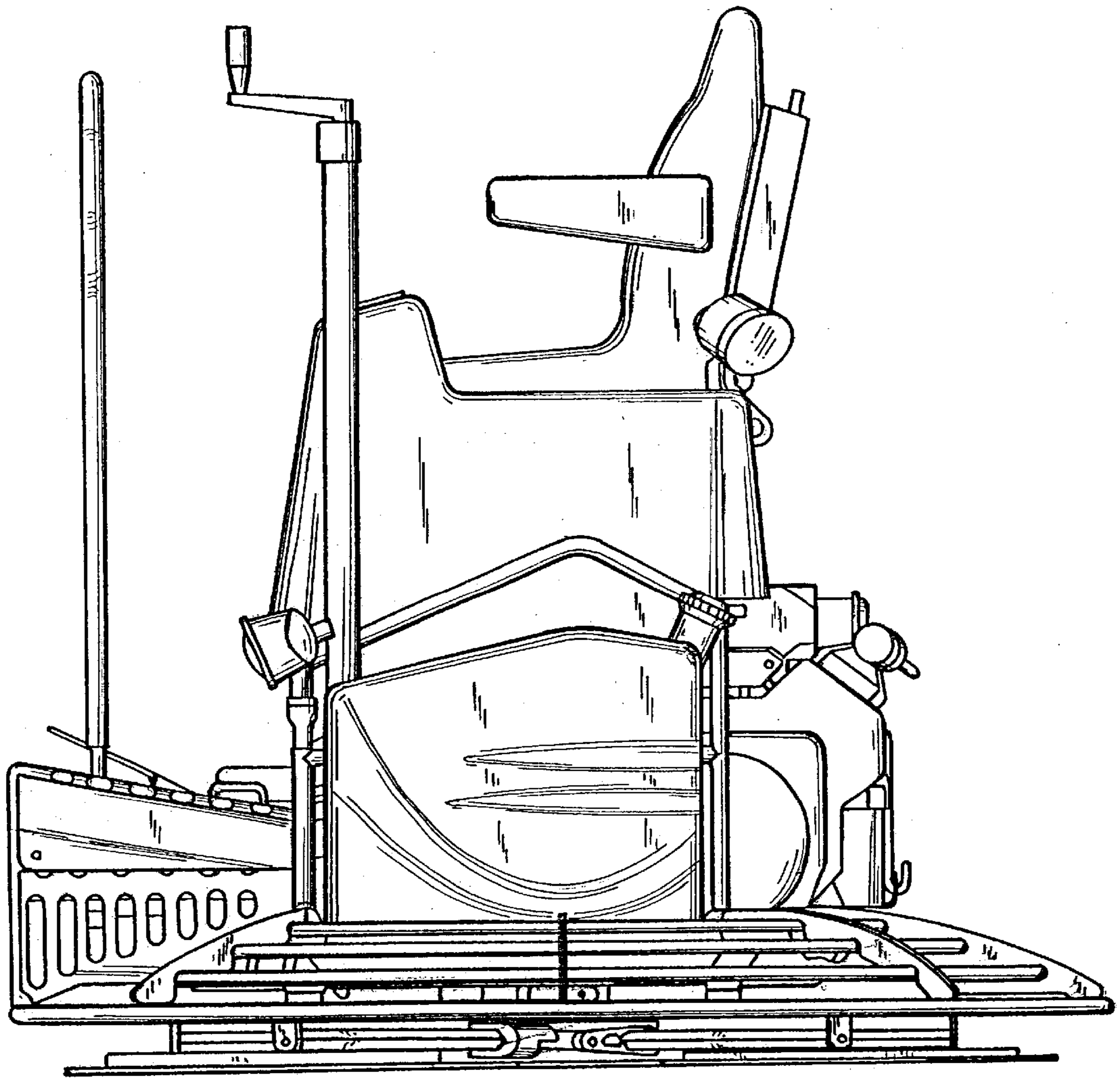


FIG. 5

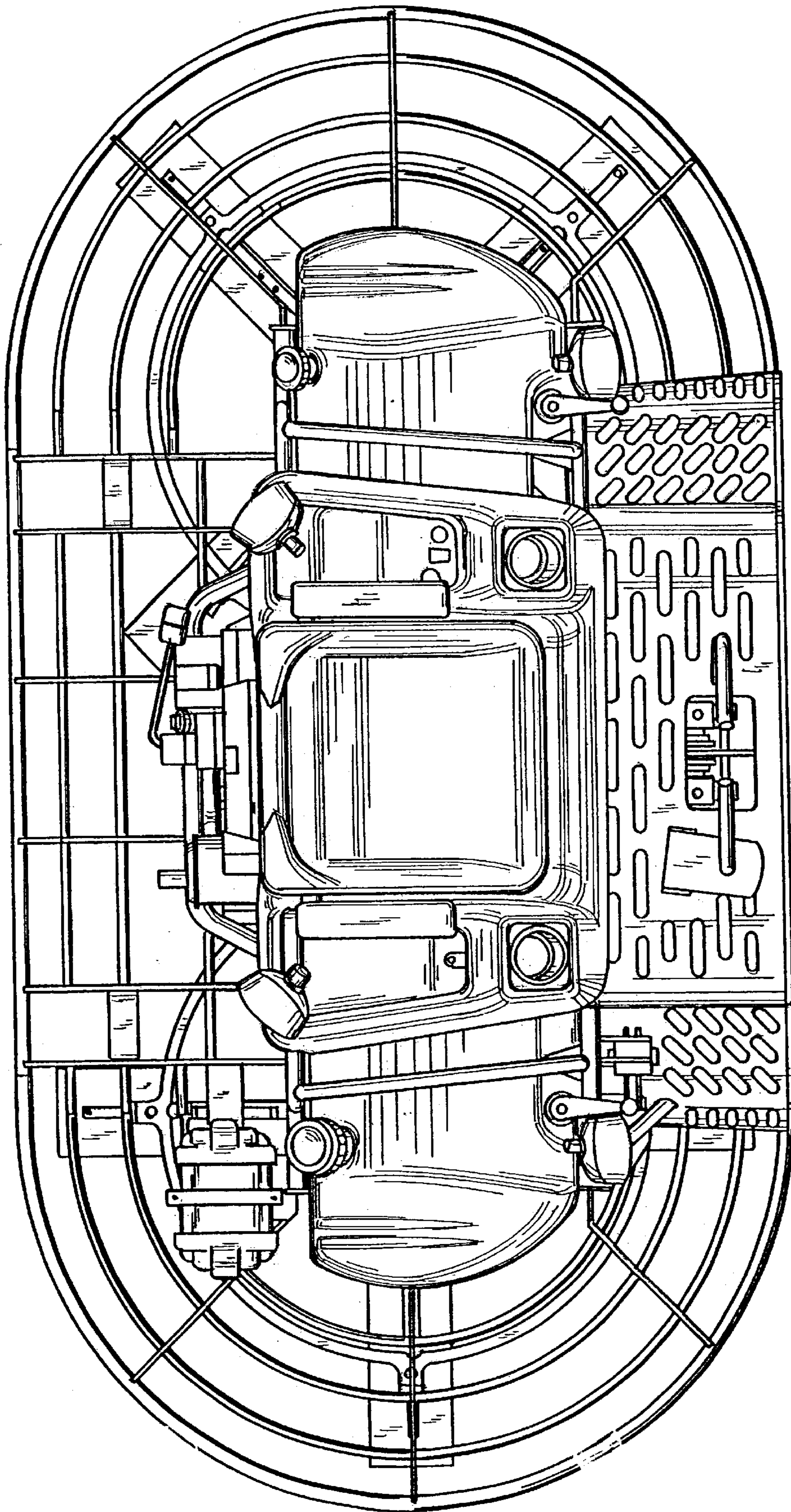


FIG. 6

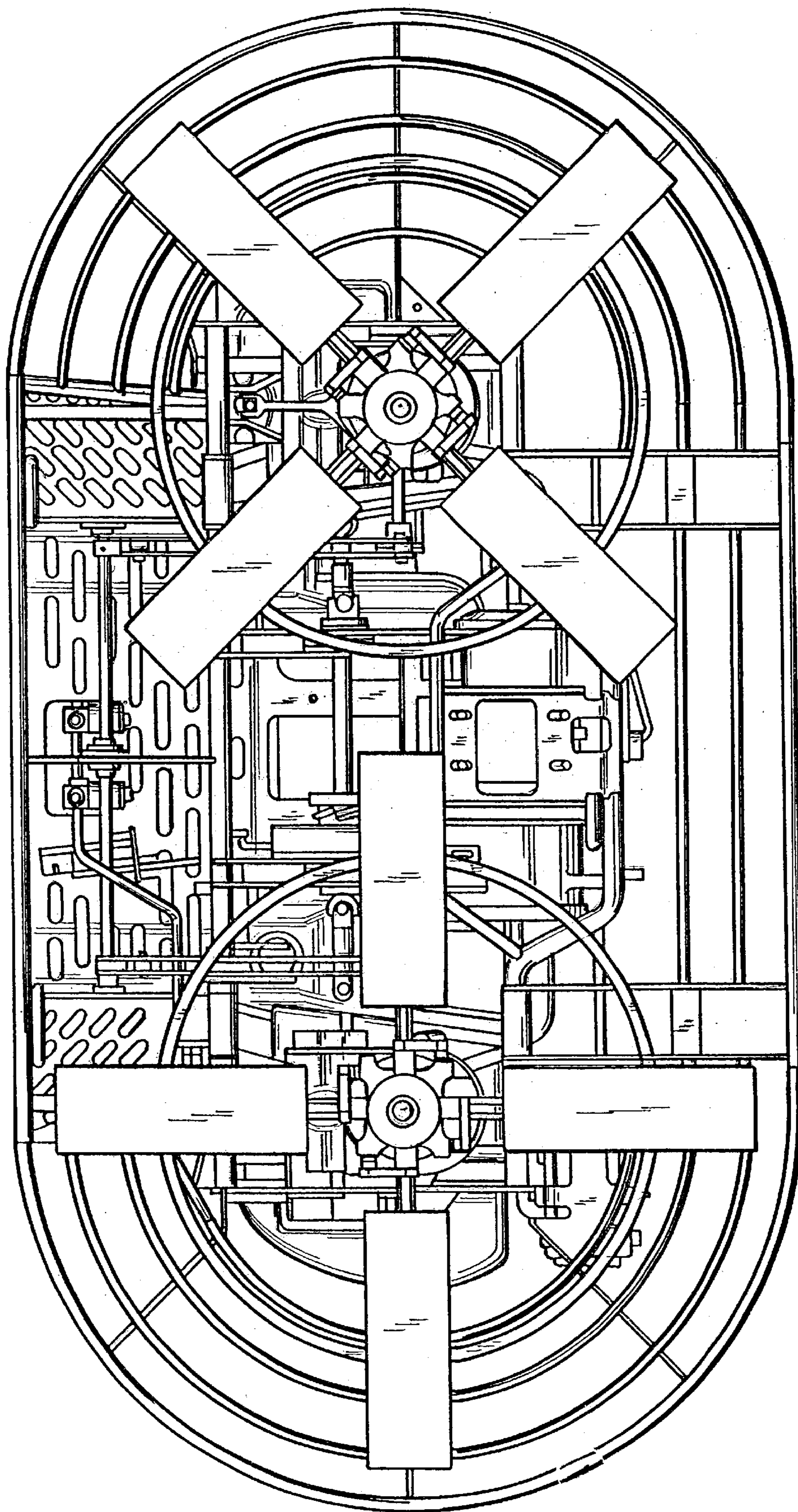


FIG. 7