



US00D453342S

(12) **United States Design Patent**  
**Wu**

(10) **Patent No.:** **US D453,342 S**

(45) **Date of Patent:** **\*\* Feb. 5, 2002**

(54) **PORTABLE AIR PUMP**

D420,011 S \* 1/2000 Tsai ..... D15/7  
D425,914 S \* 5/2000 Tsai ..... D15/7

(75) Inventor: **Hsin-Tsai Wu**, Taipei (TW)

\* cited by examiner

(73) Assignee: **Bulton Enterprises Co., Ltd.** (TW)

*Primary Examiner*—Ralf Seifert

(\*\*) Term: **14 Years**

(74) *Attorney, Agent, or Firm*—Skjerven Morrill MacPherson LLP

(21) Appl. No.: **29/123,964**

(57) **CLAIM**

(22) Filed: **May 25, 2000**

The ornamental design for portable air pump, as shown and described.

(51) **LOC (7) Cl.** ..... **15-02**

(52) **U.S. Cl.** ..... **D15/7**

(58) **Field of Search** ..... D15/7-9; 417/423.14,  
417/411, 415, 234, 410.3, 410.4, 410.5,  
360, 423.3, 69, 264

**DESCRIPTION**

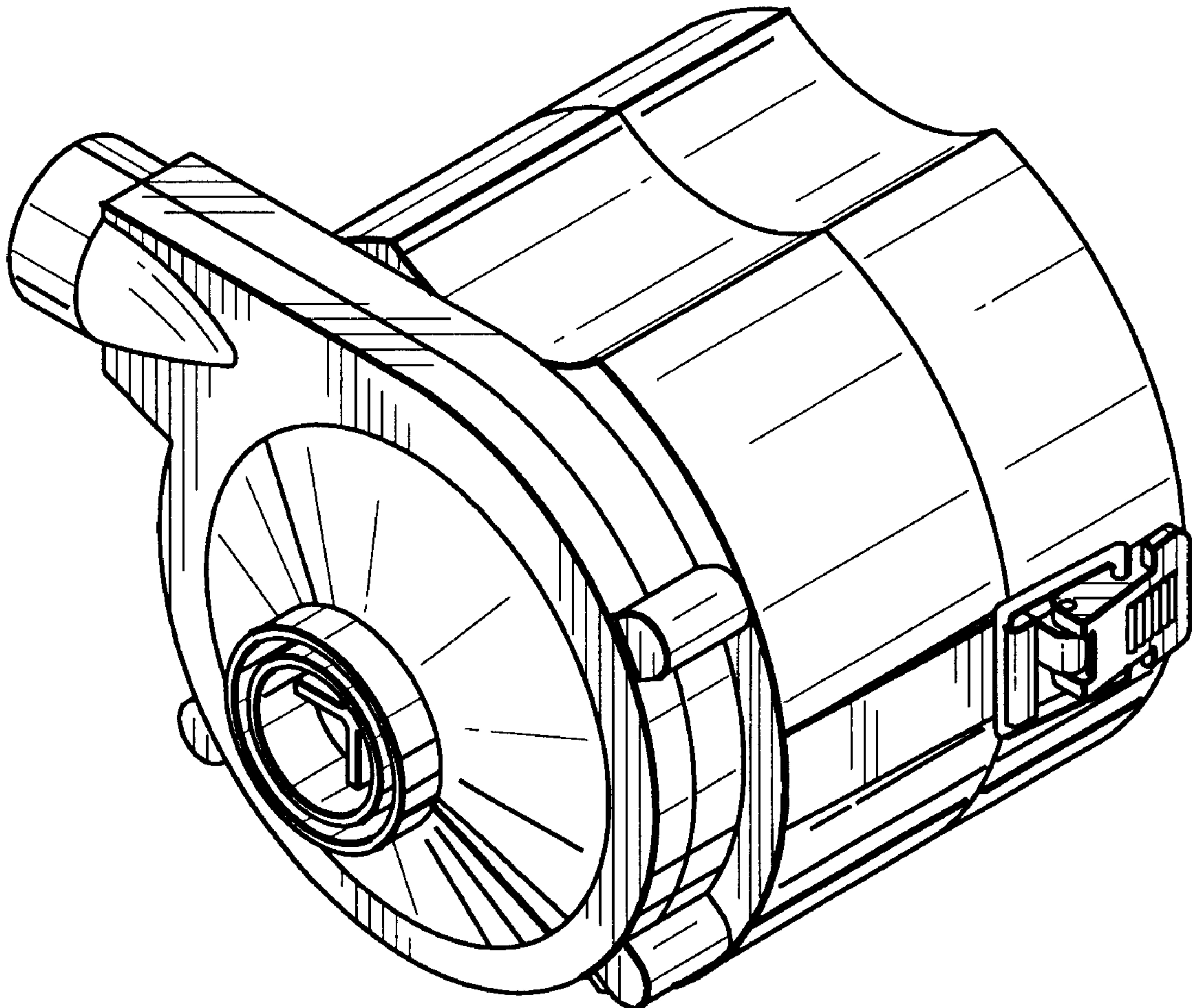
(56) **References Cited**

FIG. 1 is a perspective view of portable air pump showing my new design;  
FIG. 2 is a front elevational view thereof;  
FIG. 3 is a rear elevational view thereof;  
FIG. 4 is a left side elevational view thereof;  
FIG. 5 is a right side elevational view thereof;  
FIG. 6 is a top plan view thereof; and,  
FIG. 7 is a bottom plan view thereof.

**U.S. PATENT DOCUMENTS**

D301,245 S \* 5/1989 Hefling ..... D15/7  
D307,018 S \* 4/1990 Turbanisch ..... D15/8  
D339,143 S \* 9/1993 Whitley ..... D15/7  
D405,806 S \* 2/1999 Poon ..... D15/7

**1 Claim, 4 Drawing Sheets**



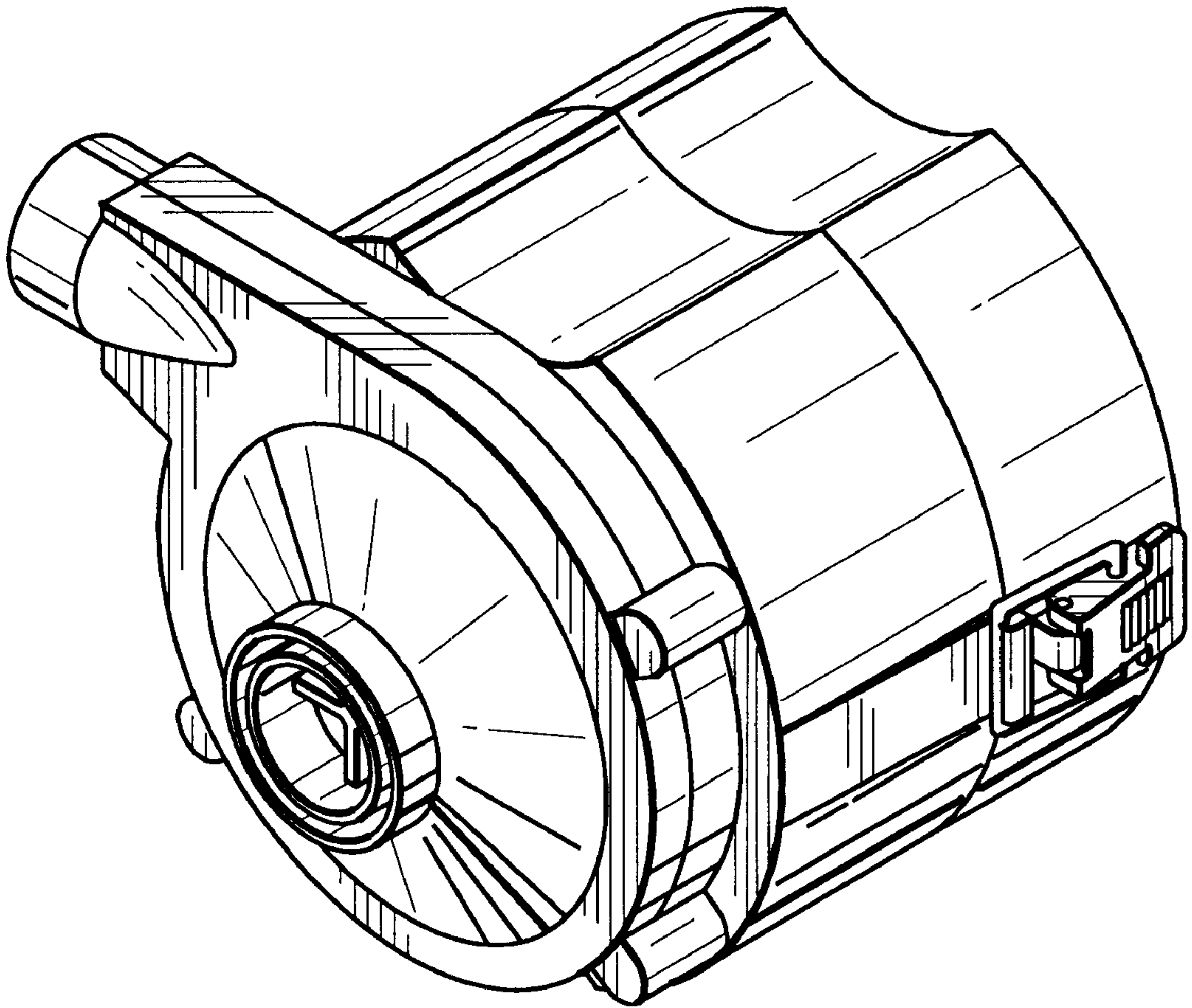


FIG. 1

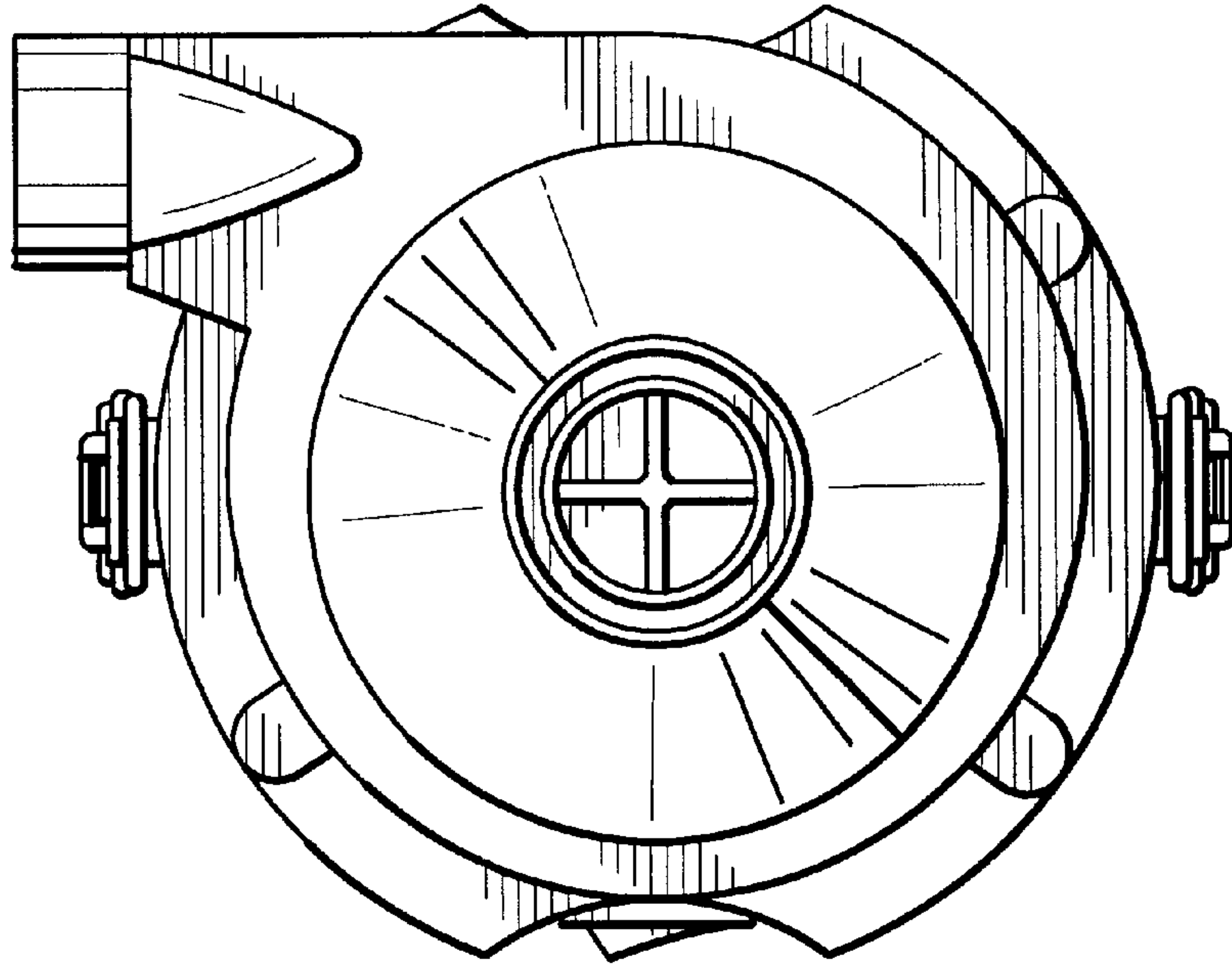


FIG. 2

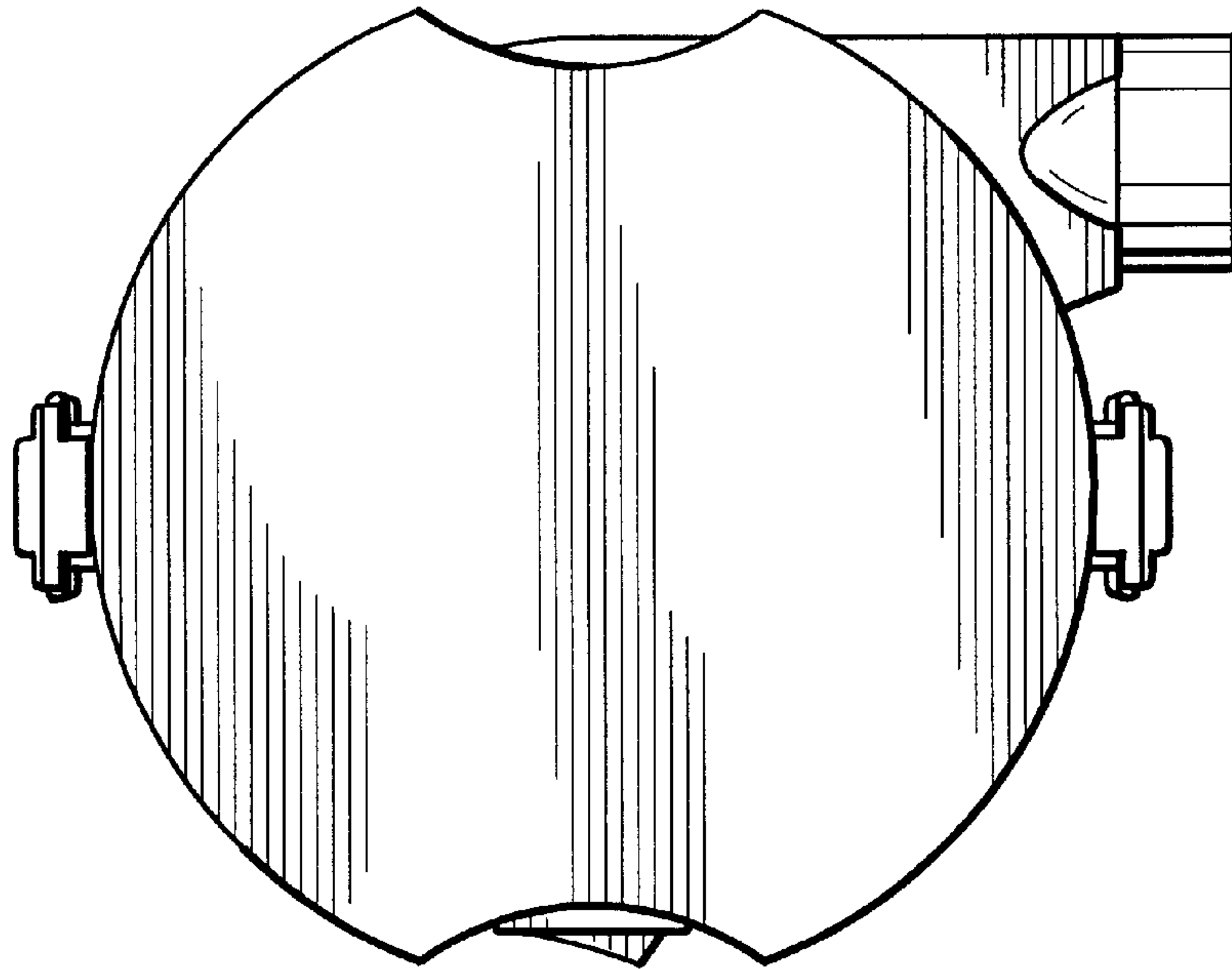


FIG. 3

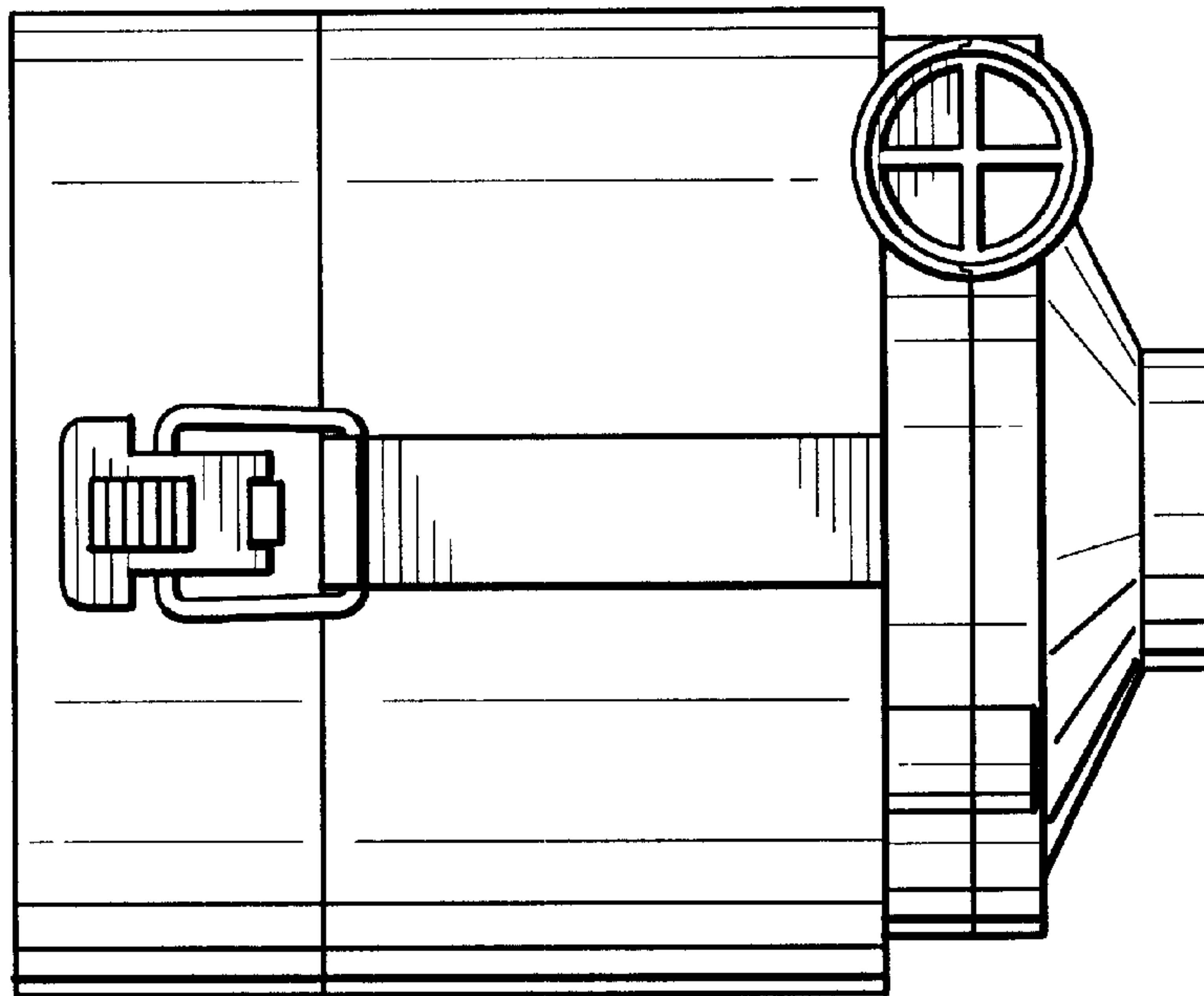


FIG. 4

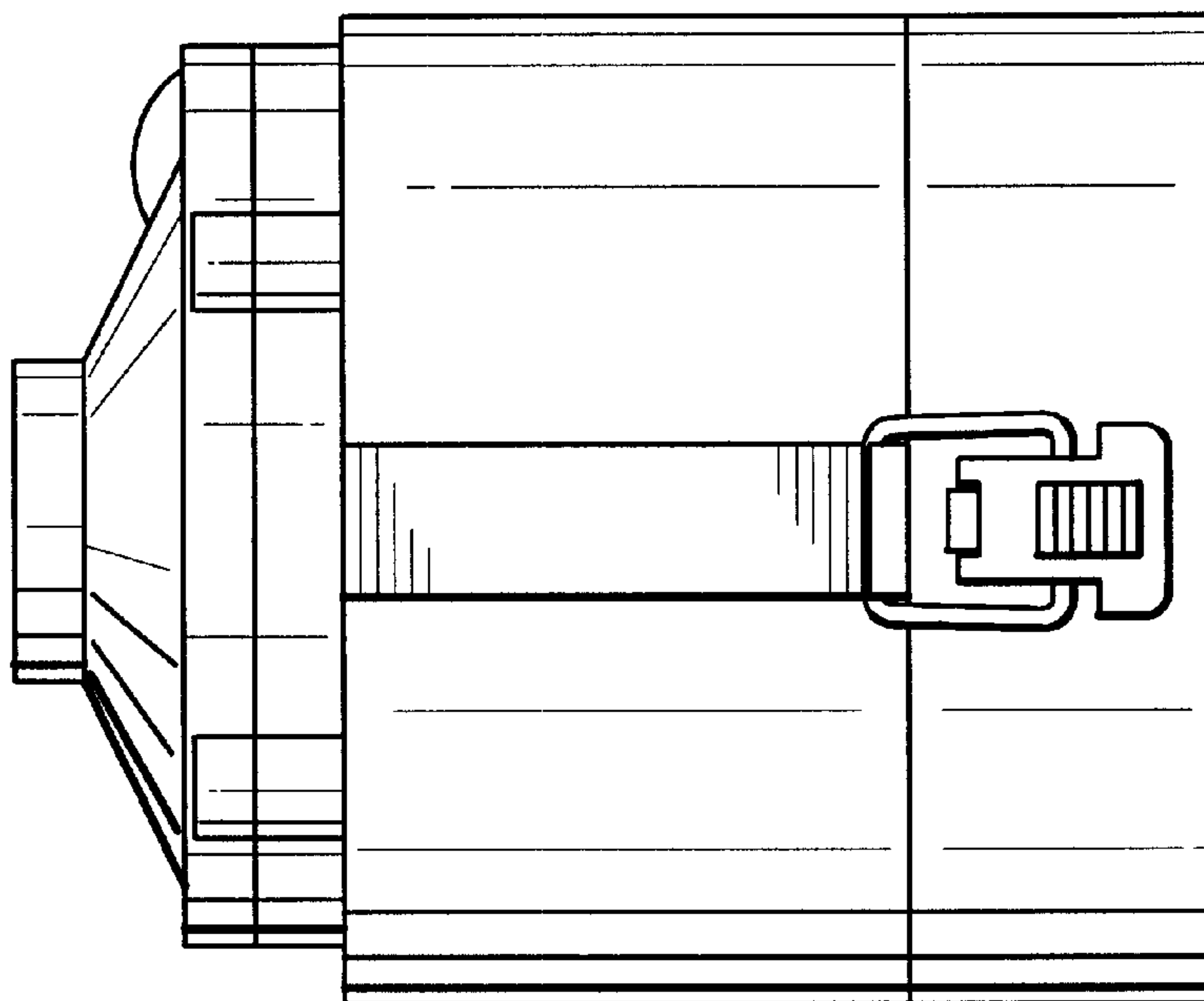


FIG. 5

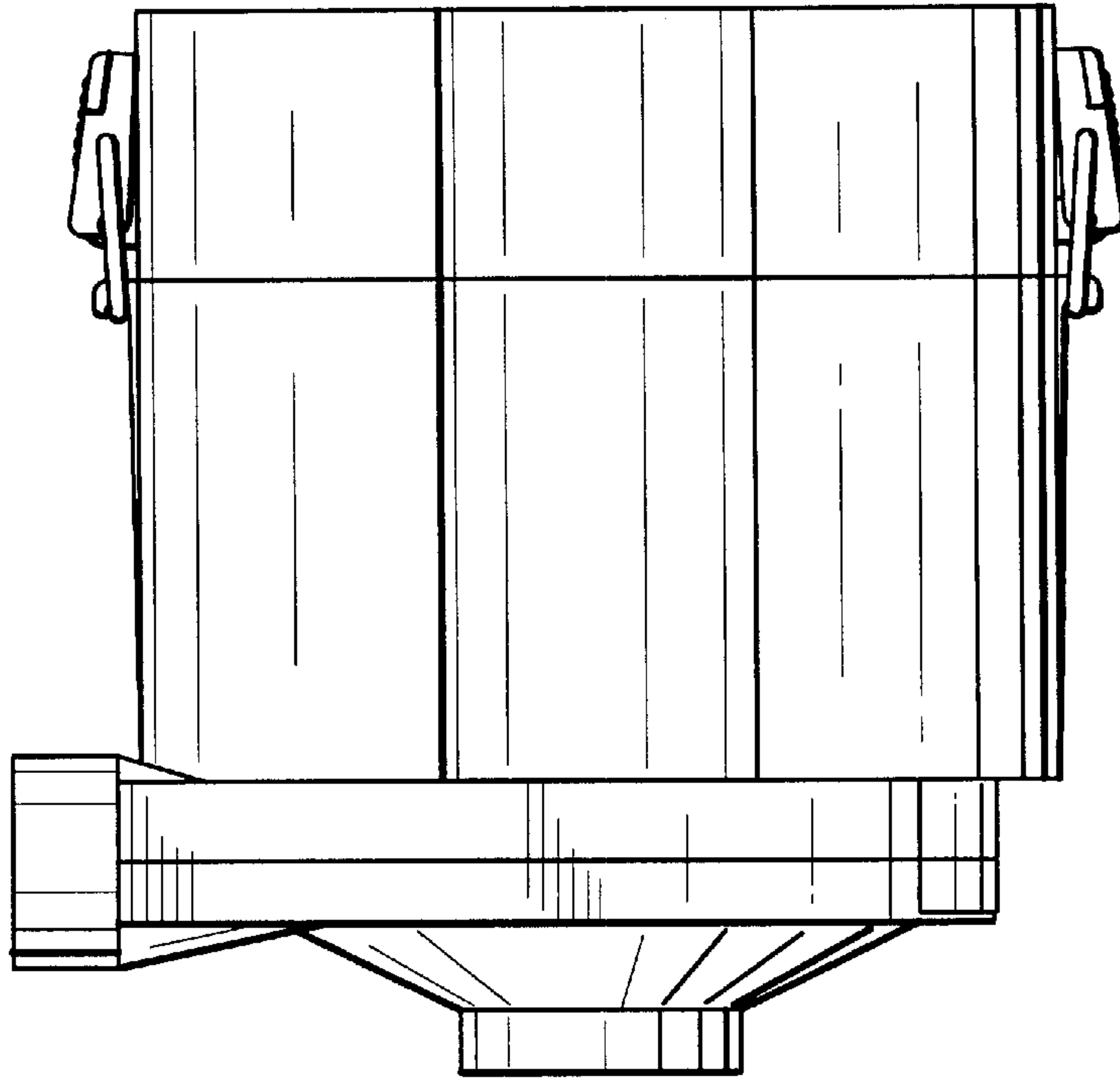


FIG. 6

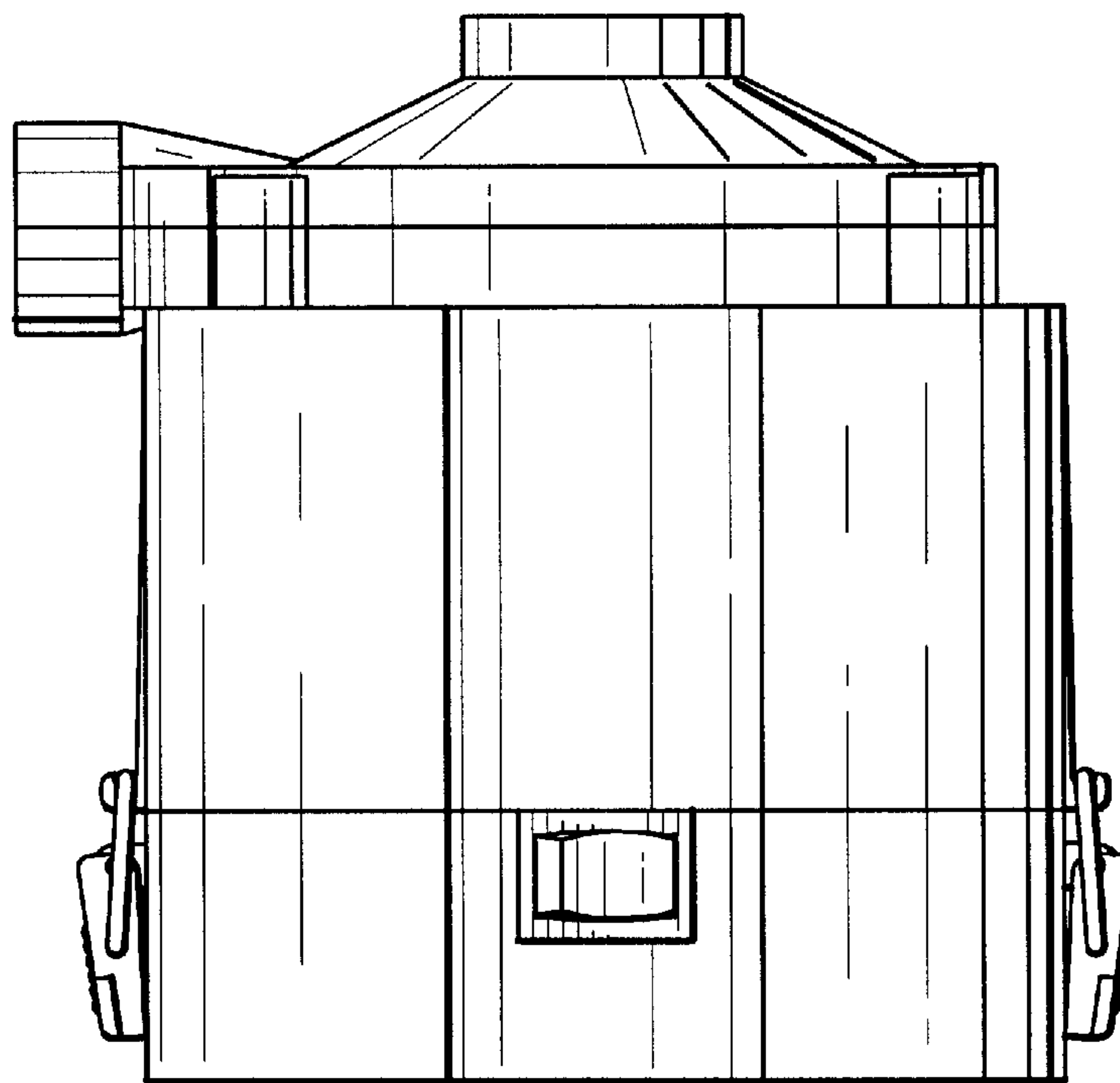


FIG. 7