



US00D45333S

(12) **United States Design Patent**
Chen

(10) **Patent No.:** **US D453,333 S**

(45) **Date of Patent:** **** Feb. 5, 2002**

(54) **MONITOR**

(75) Inventor: **Yu-Bing Chen, Yung-Ho (TW)**

(73) Assignee: **Neotronics Inc. (TW)**

(**) Term: **14 Years**

(21) Appl. No.: **29/135,647**

(22) Filed: **Jan. 16, 2001**

(51) **LOC (7) Cl.** **14-02**

(52) **U.S. Cl.** **D14/374**

(58) **Field of Search** **D14/335-337,**
D14/371, 374, 126-129; 345/104, 133,
156, 168, 173; 348/180, 184, 325; 349/1,
2, 11, 62

(56) **References Cited**

U.S. PATENT DOCUMENTS

- D356,548 S * 3/1995 Bottcher et al. D14/341
- D388,077 S * 12/1997 Starck D14/126
- 5,708,458 A * 1/1998 Vrbanac 345/156
- D414,164 S * 9/1999 Rorke et al. D14/374

- D429,227 S * 8/2000 Shimizu D14/126
- D434,763 S * 12/2000 Jobs et al. D14/375

* cited by examiner

Primary Examiner—Freda Nunn

(74) *Attorney, Agent, or Firm*—Jackson Walker L.L.P.

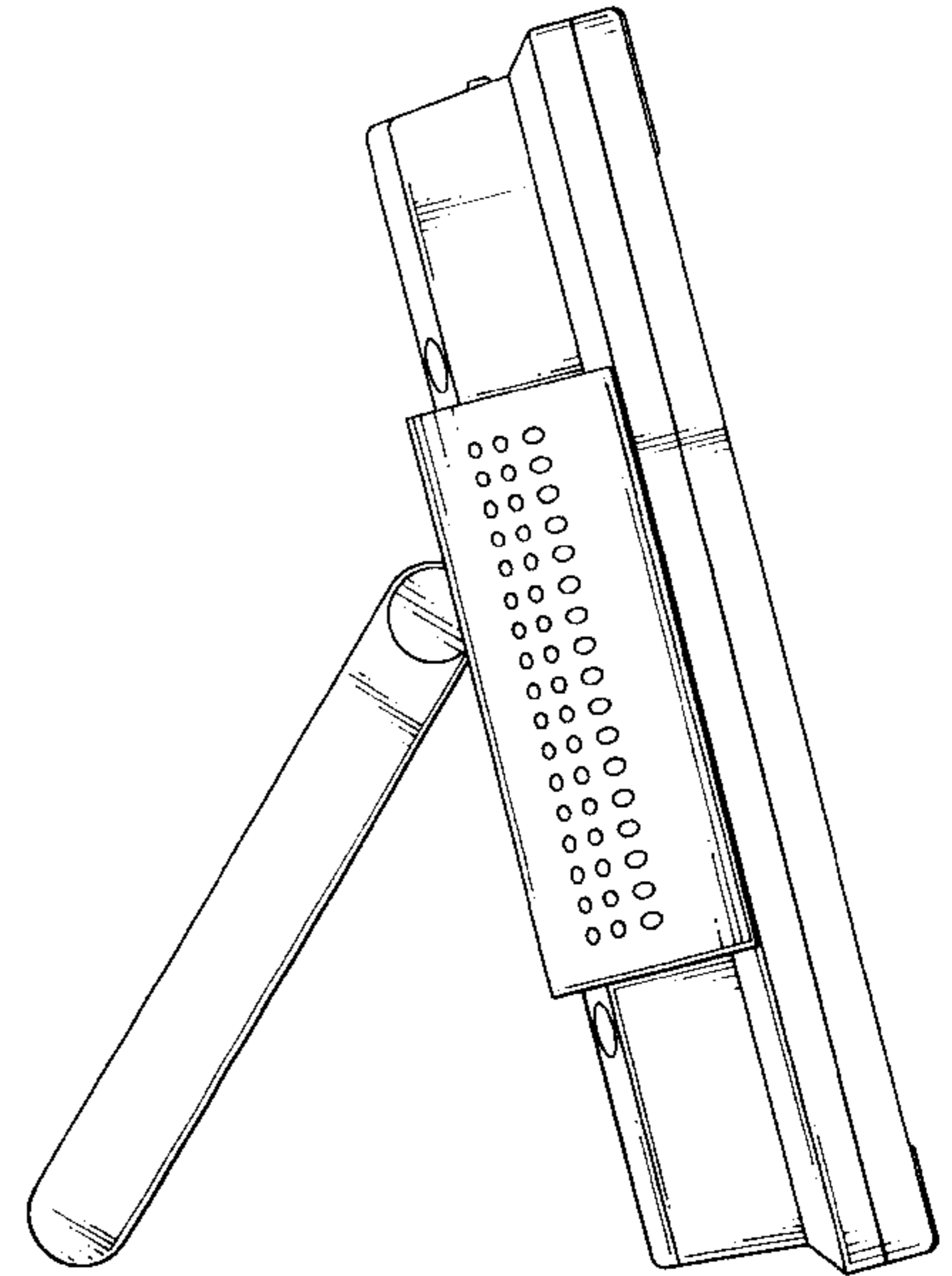
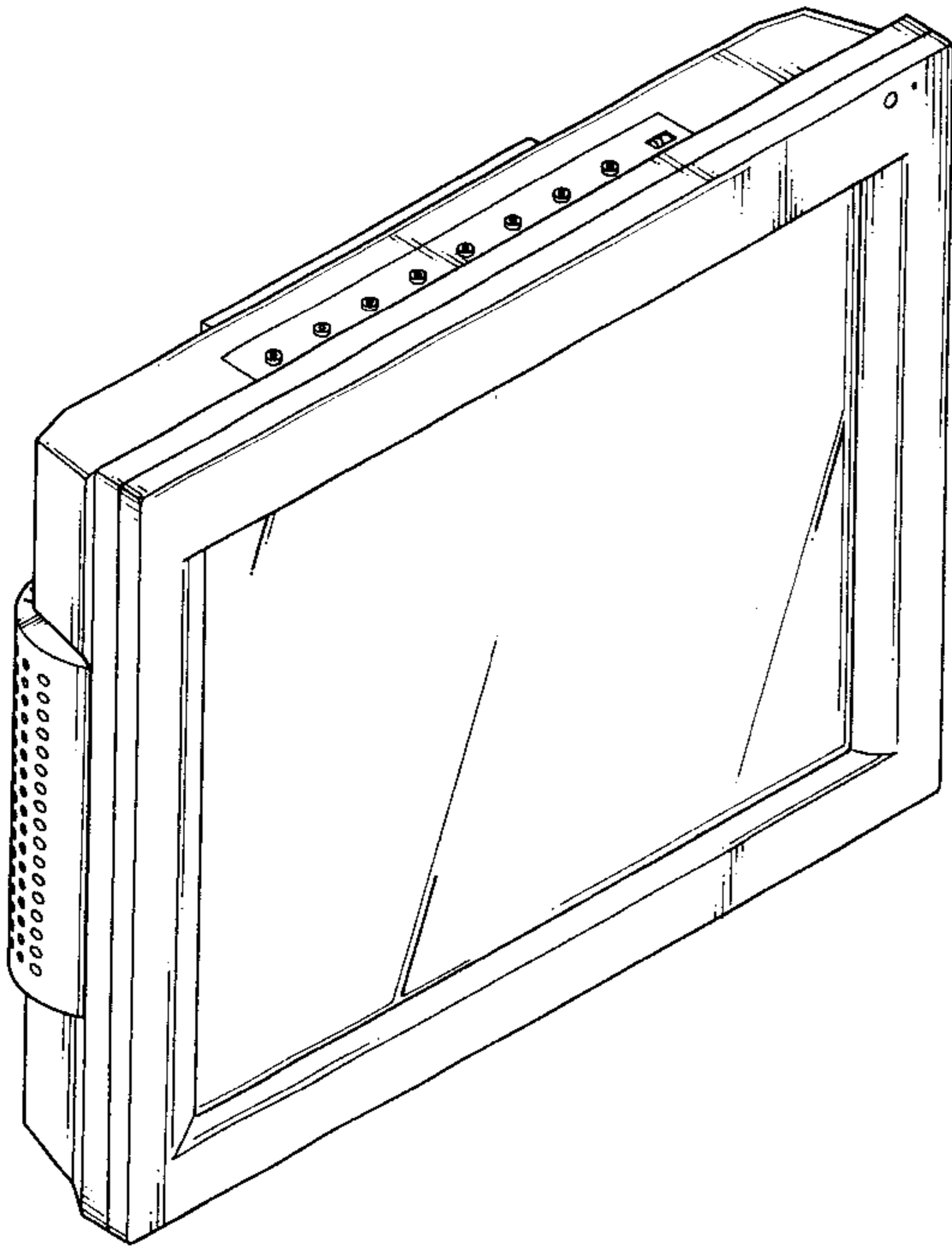
(57) **CLAIM**

The ornamental design for a monitor, as shown and described.

DESCRIPTION

FIG. 1 is a perspective view of a monitor, showing my new design;
 FIG. 2 is a front view thereof;
 FIG. 3 is a rear view thereof;
 FIG. 4 is a left side view thereof;
 FIG. 5 is a right side view thereof;
 FIG. 6 is a top plan view thereof; and
 FIG. 7 is a bottom plan view thereof; and,
 FIG. 8 is an embodiment showing the application of my new design, in which the support is extended from the body.

1 Claim, 6 Drawing Sheets



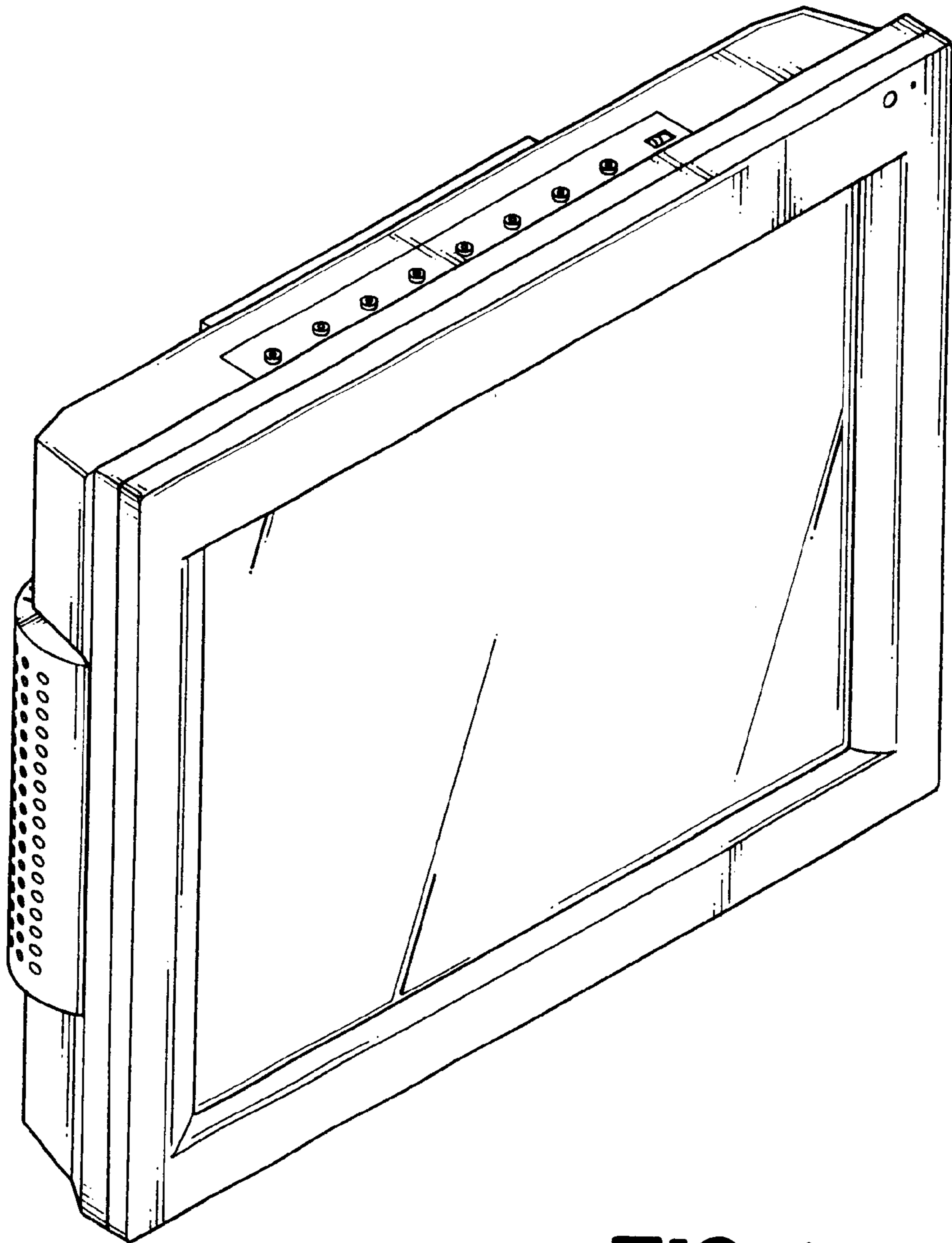


FIG. 1

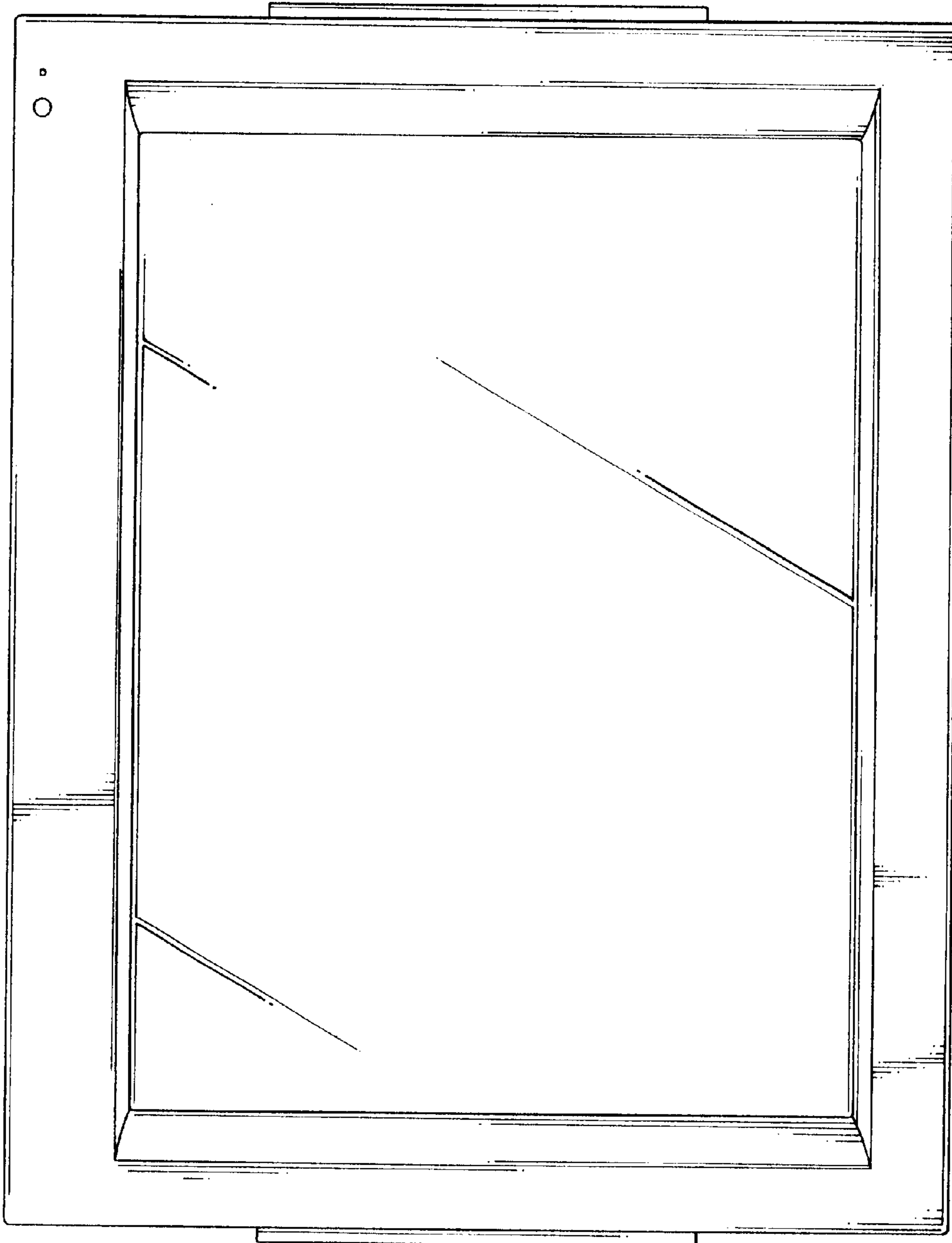


FIG. 2

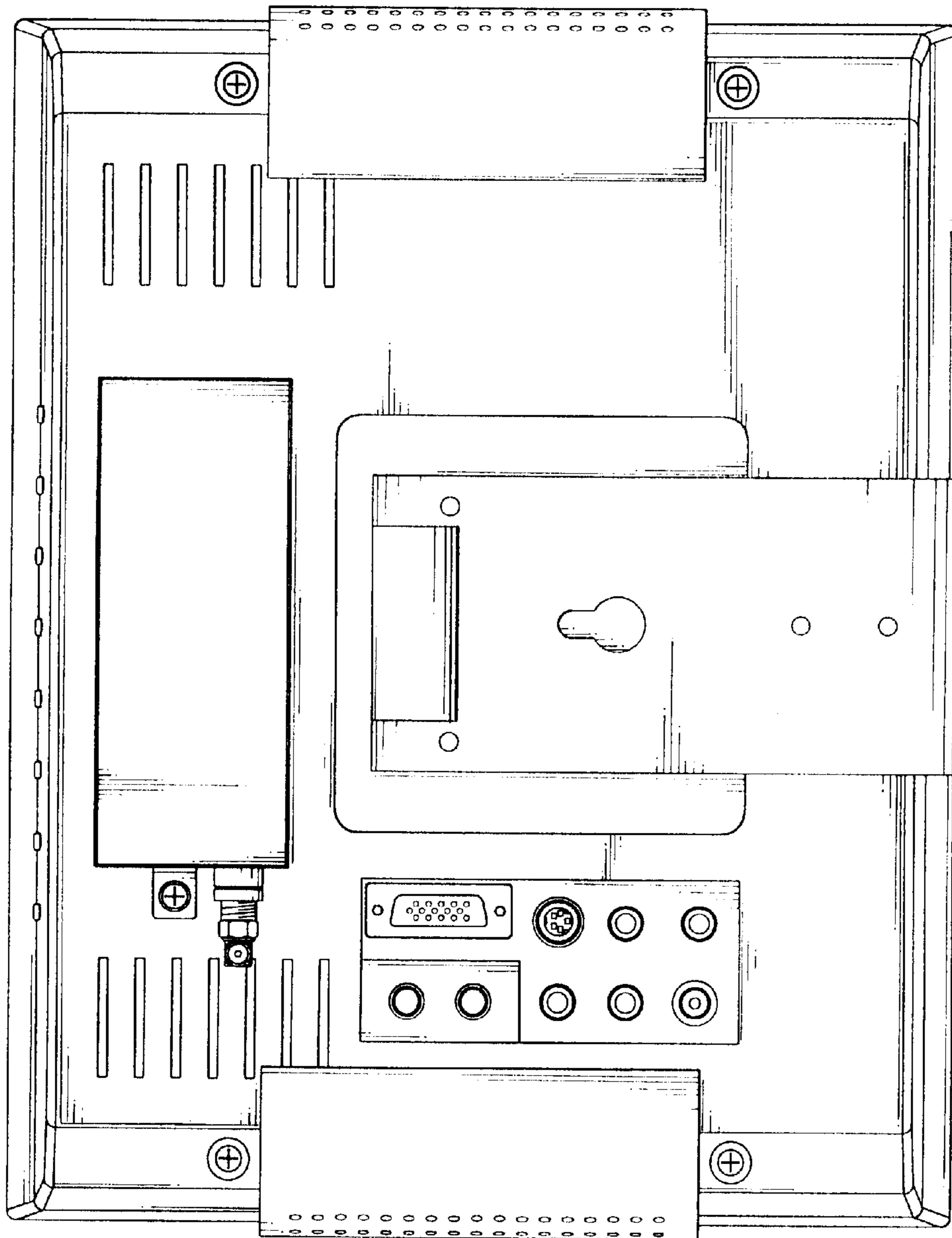


FIG. 3

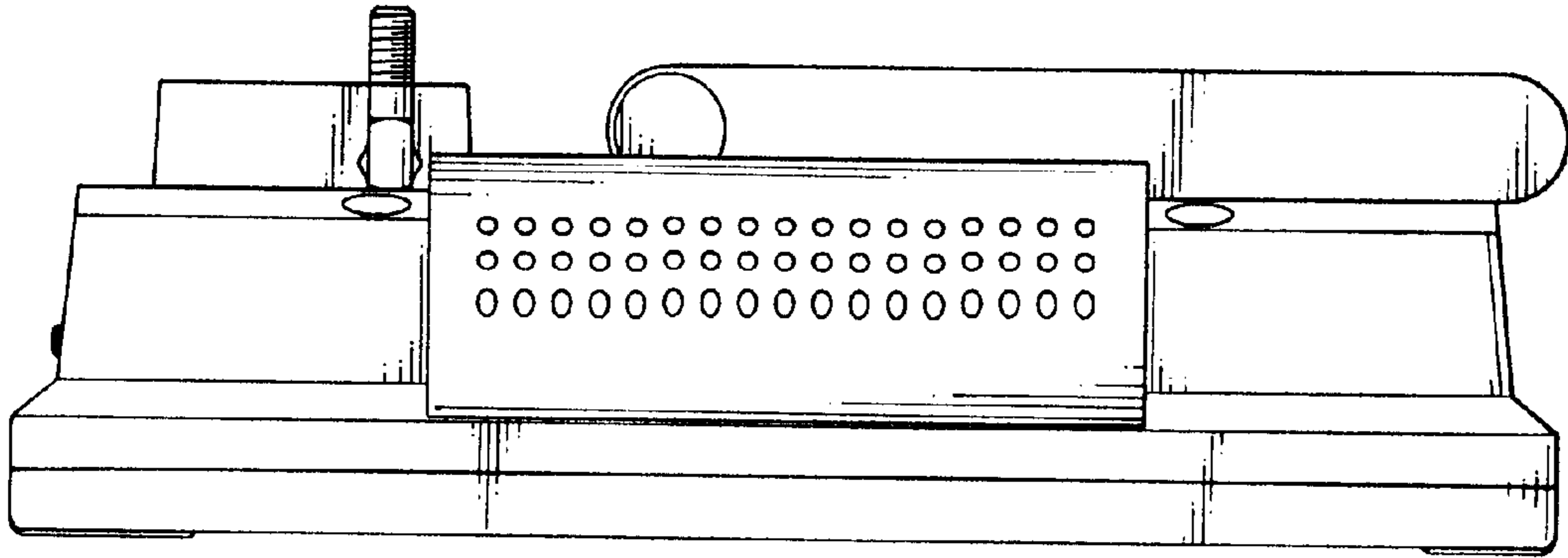


FIG. 5

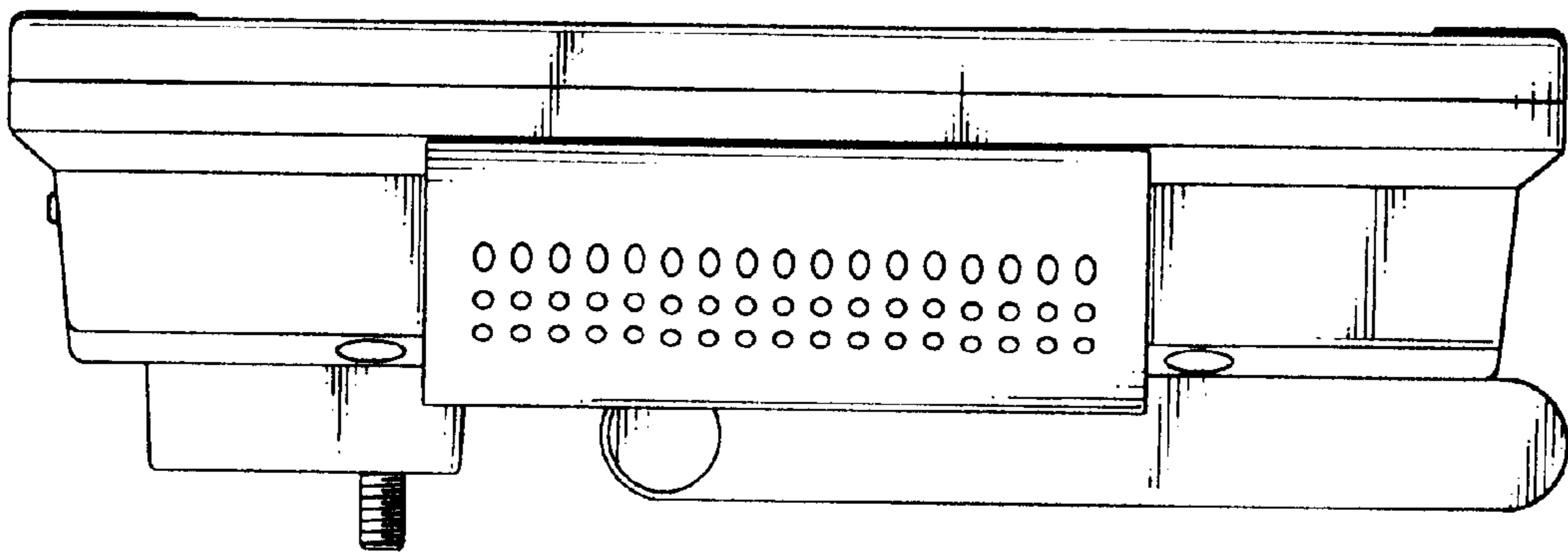


FIG. 4

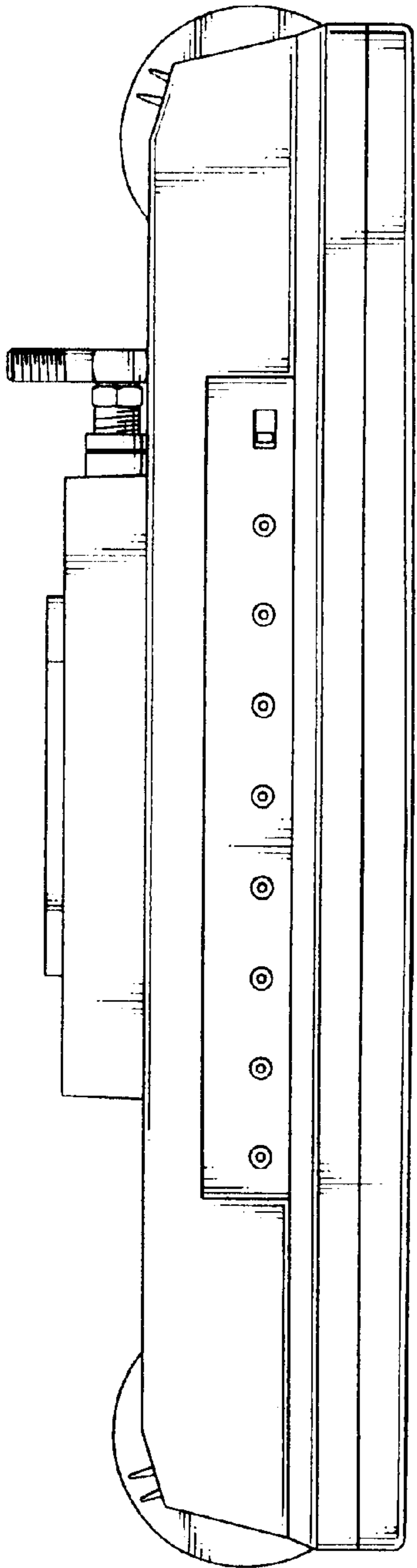


FIG. 6

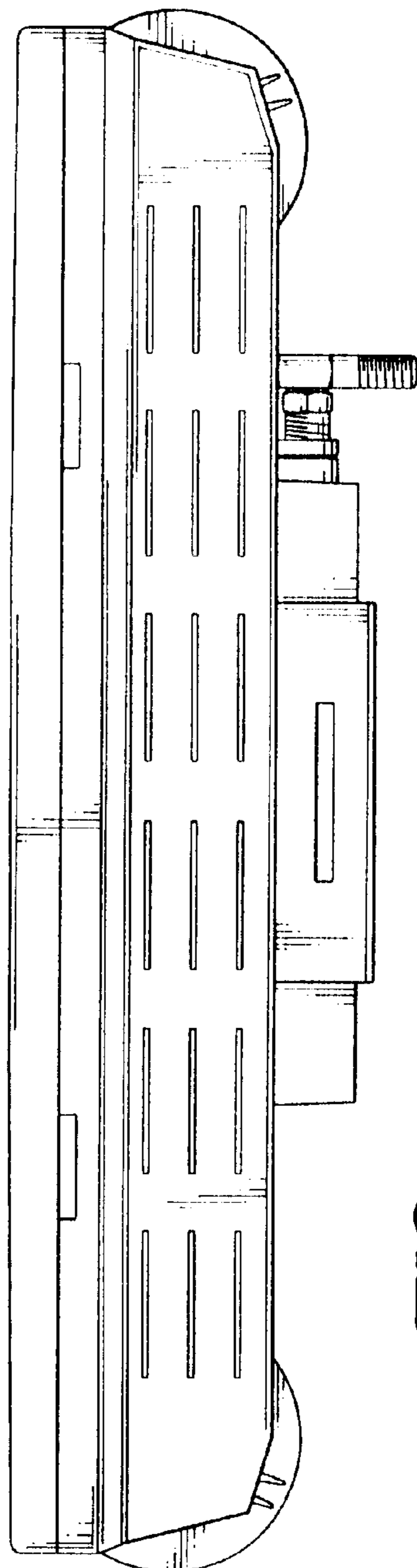


FIG. 7

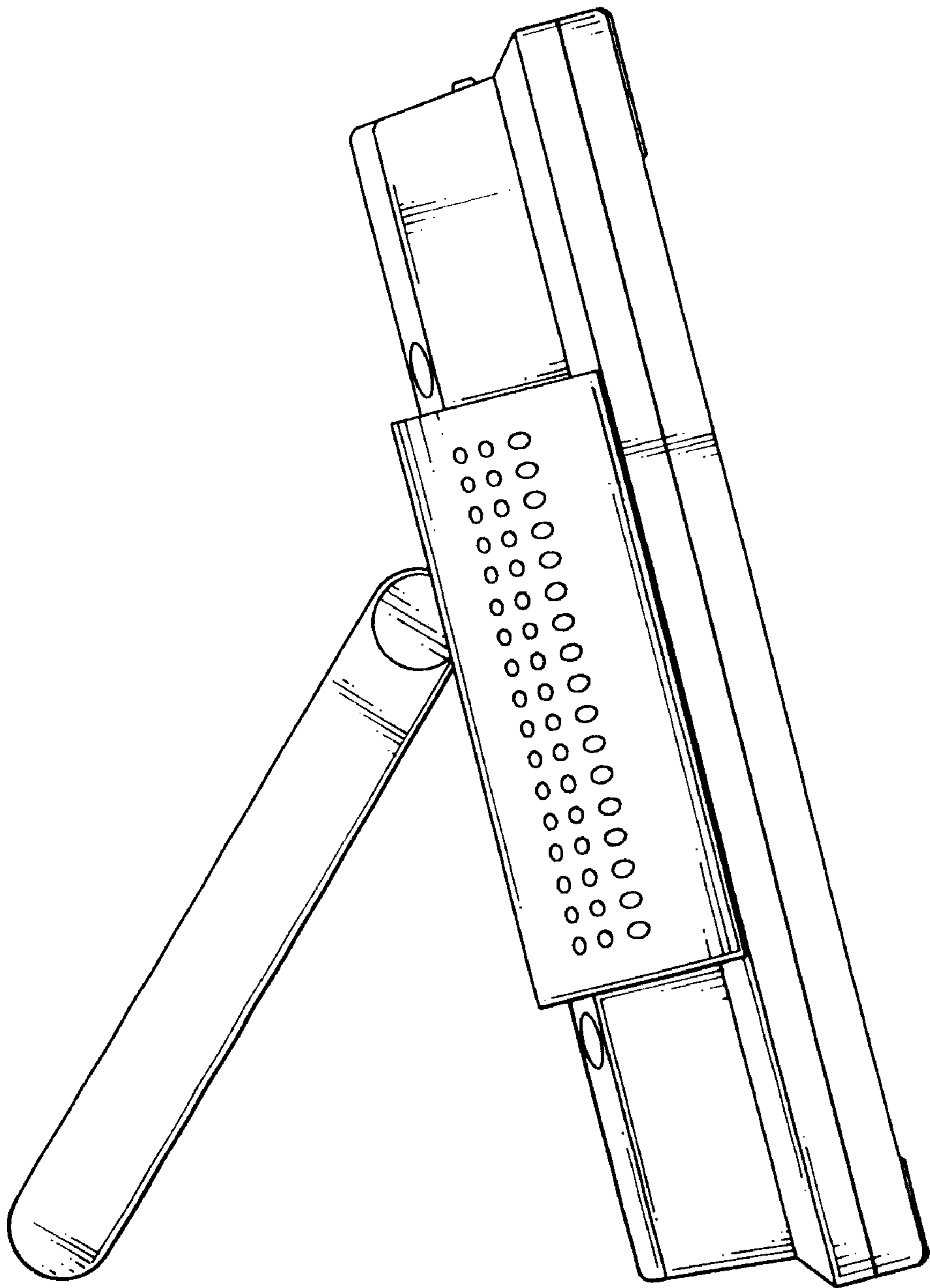


FIG. 8