



US00D453329S

(12) **United States Design Patent**
Muramatsu

(10) **Patent No.:** **US D453,329 S**

(45) **Date of Patent:** **** Feb. 5, 2002**

(54) **ANTENNA FOR POSITION DETECTION**

(75) **Inventor:** **Etsushi Muramatsu, Kadoma (JP)**

(73) **Assignee:** **Matsushita Electric Works, Ltd.,
Kadoma (JP)**

(**) **Term:** **14 Years**

(21) **Appl. No.:** **29/138,696**

(22) **Filed:** **Mar. 20, 2001**

(30) **Foreign Application Priority Data**

Sep. 20, 2000 (JP) 12-026228

(51) **LOC (7) Cl.** **14-03**

(52) **U.S. Cl.** **D14/230**

(58) **Field of Search** D14/230-238;
343/720, 900, 713, 878, 905, 906, 715,
749, 752, 895, 714, 806, 802, 823, 805,
872, 705, 708, 741, 840, 882, 702, 873,
881

(56) **References Cited**

U.S. PATENT DOCUMENTS

D327,690 S * 7/1992 Ogawa et al. D14/230

D346,170 S * 4/1994 Tang D14/230

D427,996 S * 7/2000 Heiligenstein et al. D14/230

* cited by examiner

Primary Examiner—Louis S. Zarfes

Assistant Examiner—Gregory Andoll

(74) *Attorney, Agent, or Firm*—Oblon, Spivak, McClelland,
Maier & Neustadt, P.C.

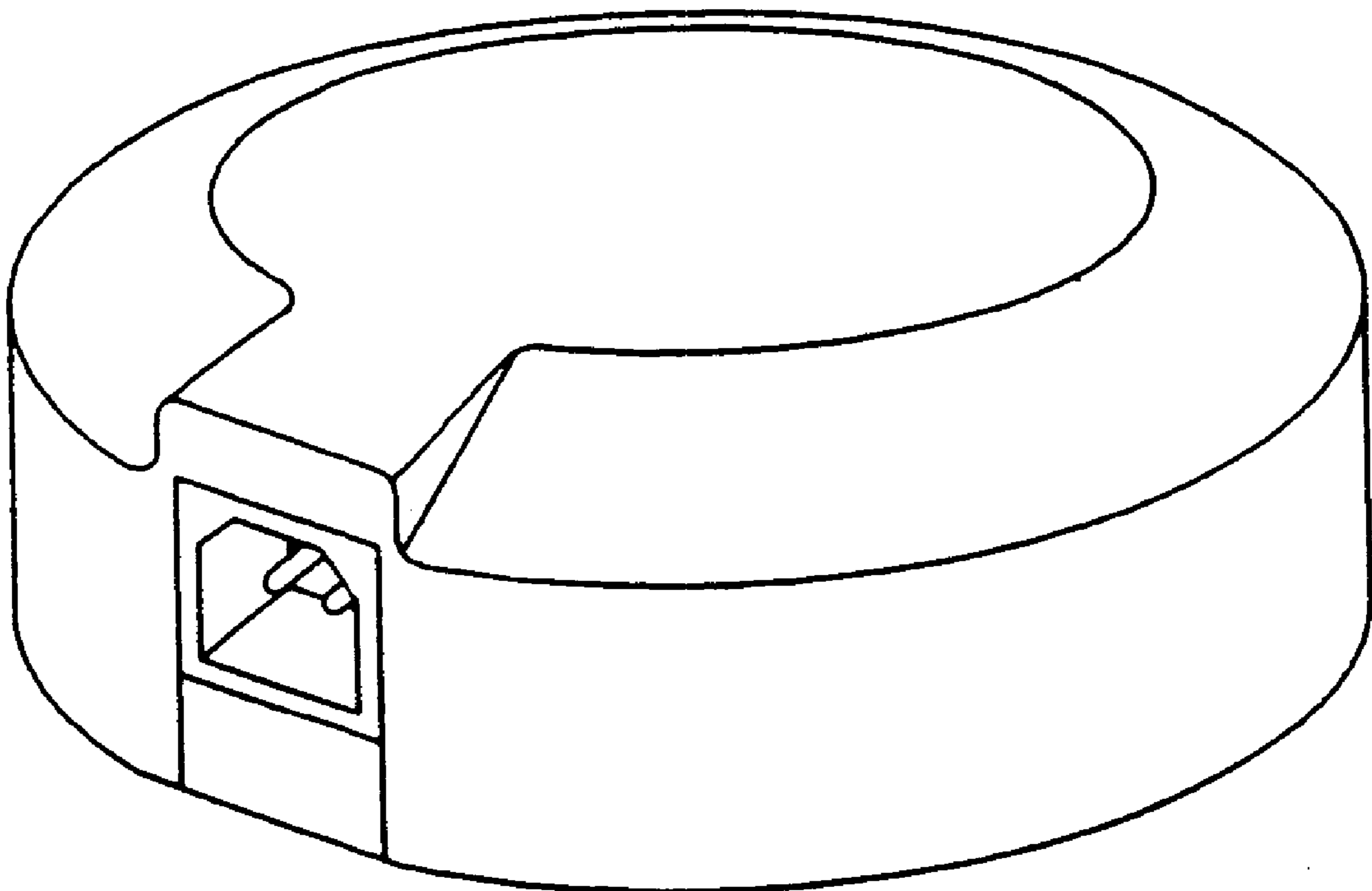
(57) **CLAIM**

The ornamental design for an antenna for position detection,
as shown and described.

DESCRIPTION

FIG. 1 is a bottom, front and right side perspective view of
an antenna for position detection showing my new design;
FIG. 2 is a front elevational view thereof;
FIG. 3 is a rear elevational view thereof;
FIG. 4 is a top plan view thereof;
FIG. 5 is a bottom plan view thereof;
FIG. 6 is a right side elevational view thereof, the left side
elevational view being a mirror image of the side view
shown; and,
FIG. 7 is a cross-sectional view thereof taken along line
7—7 in FIG. 2.

1 Claim, 5 Drawing Sheets



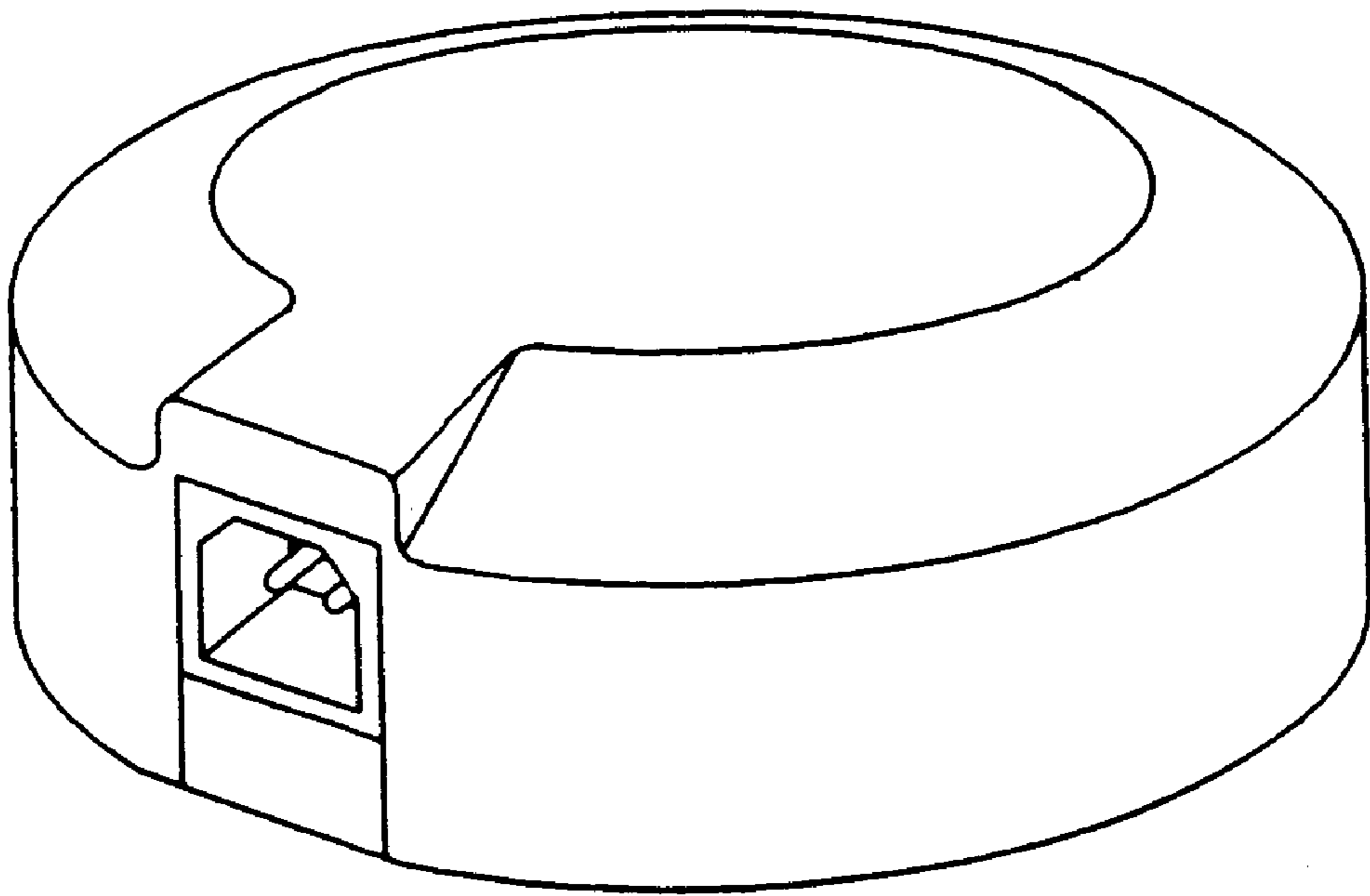
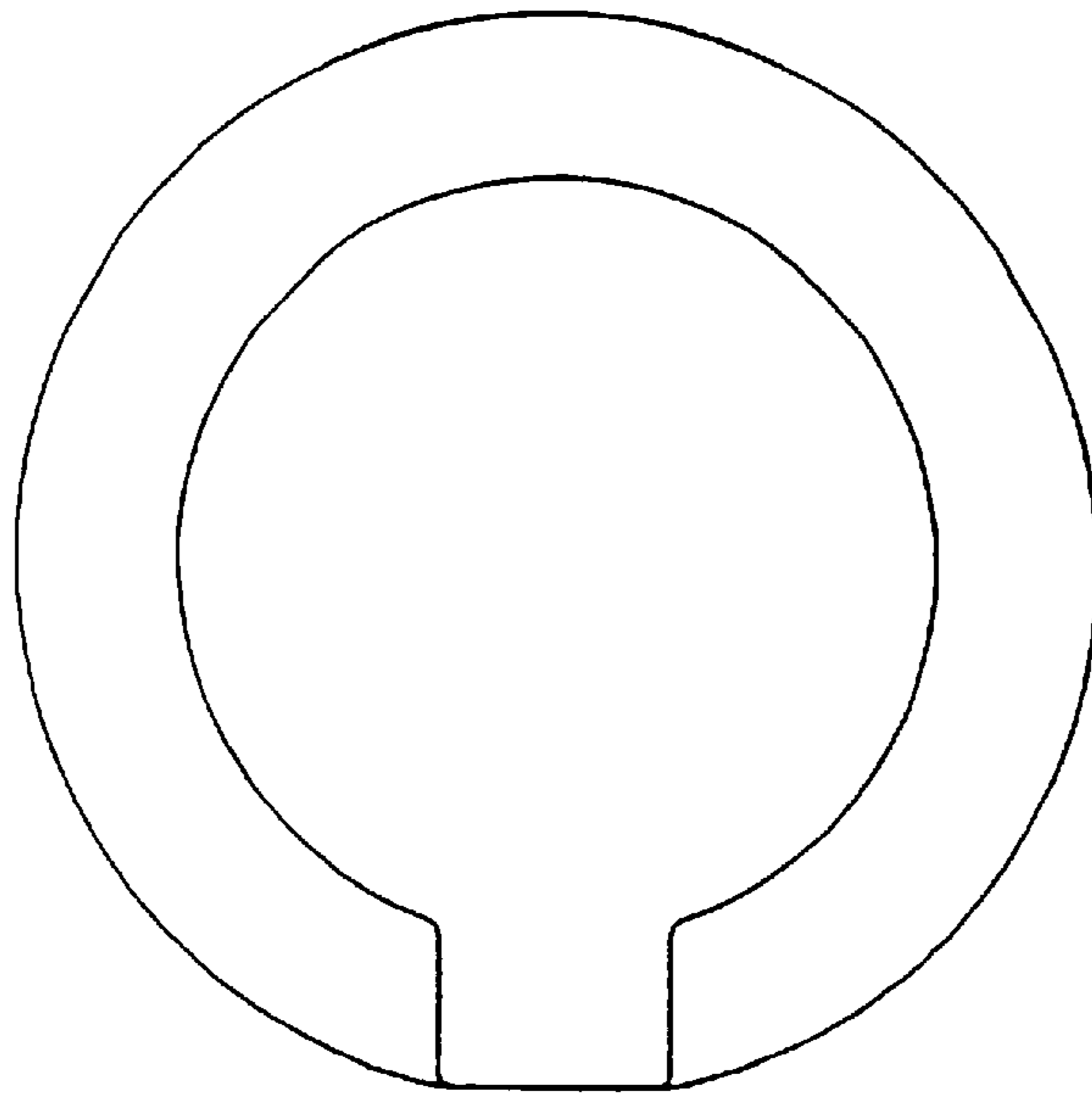


FIG. 1

7



7

FIG.2

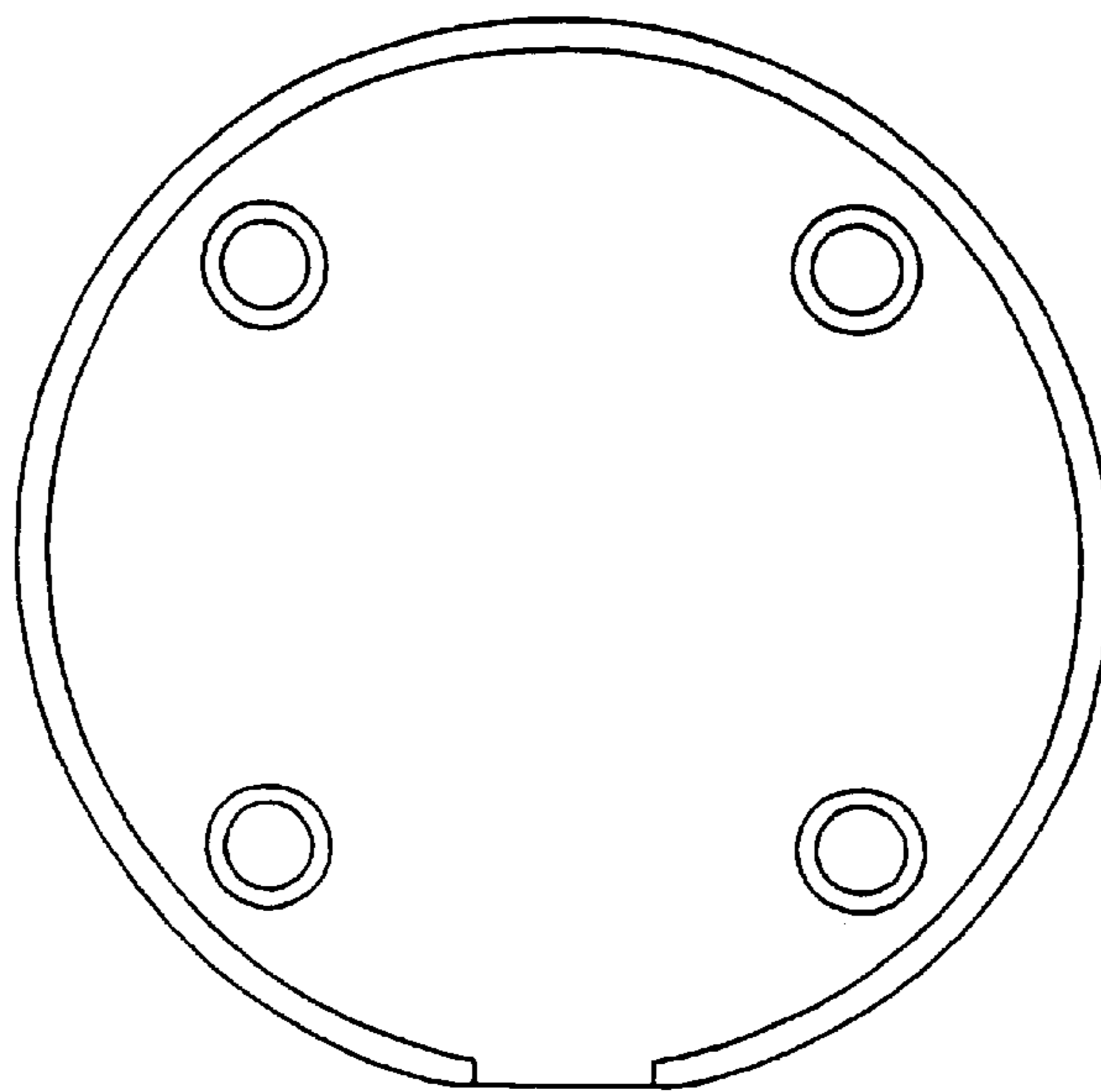


FIG.3

FIG. 4

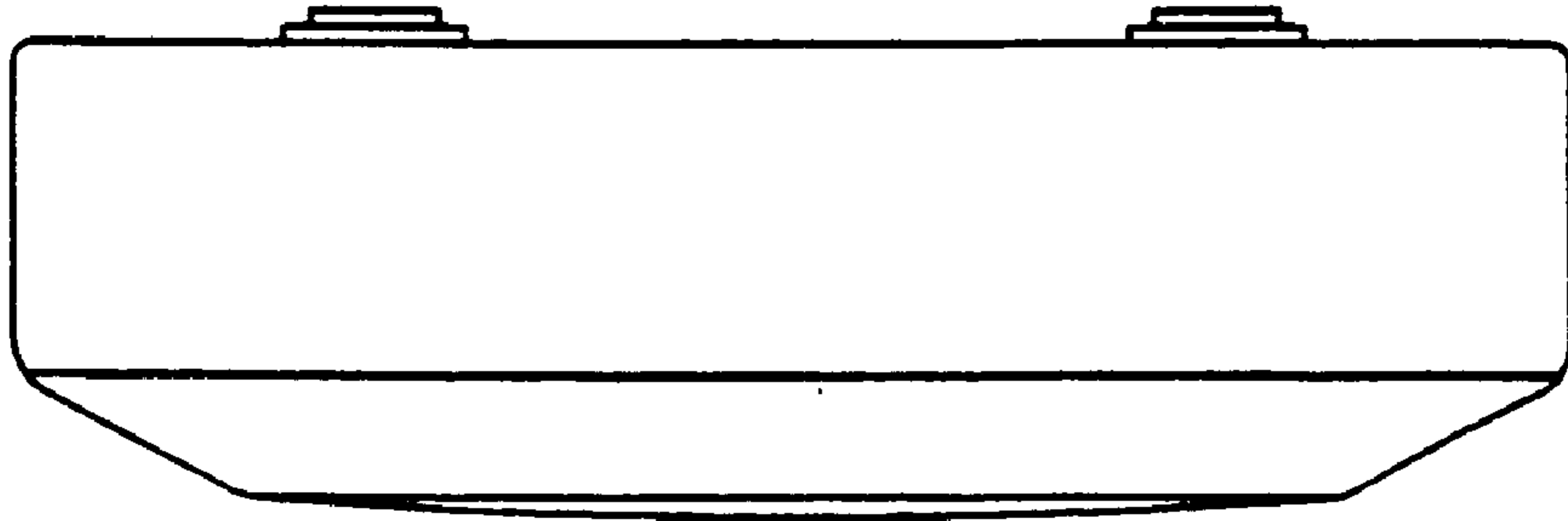
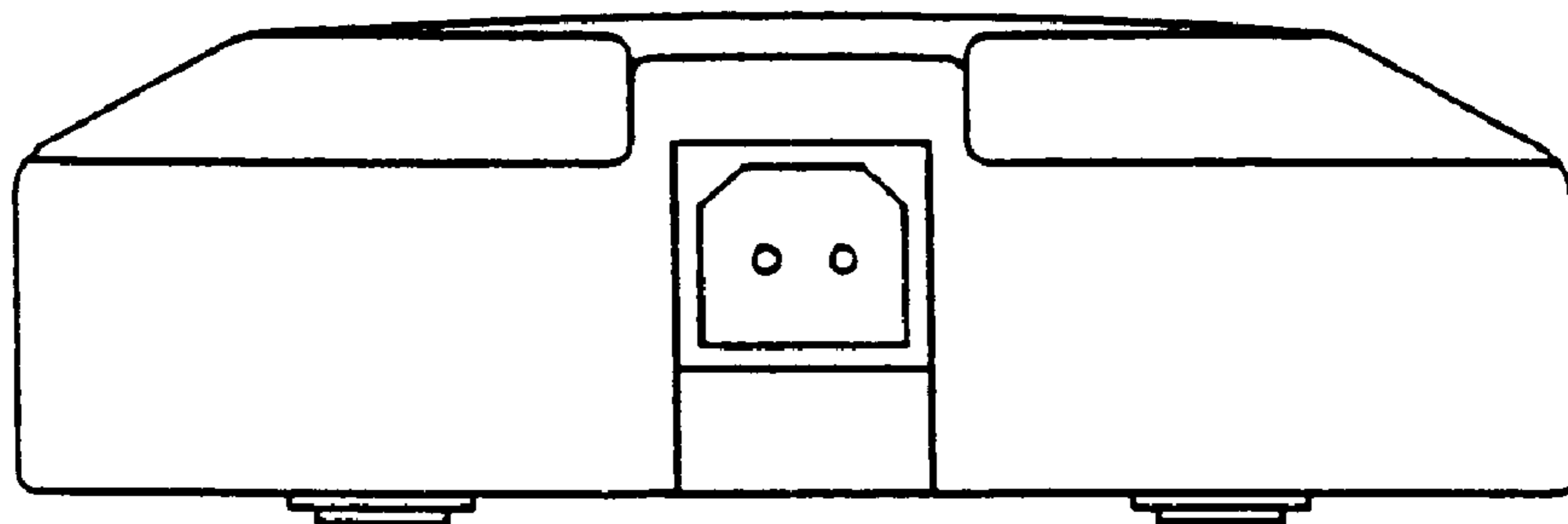


FIG. 5



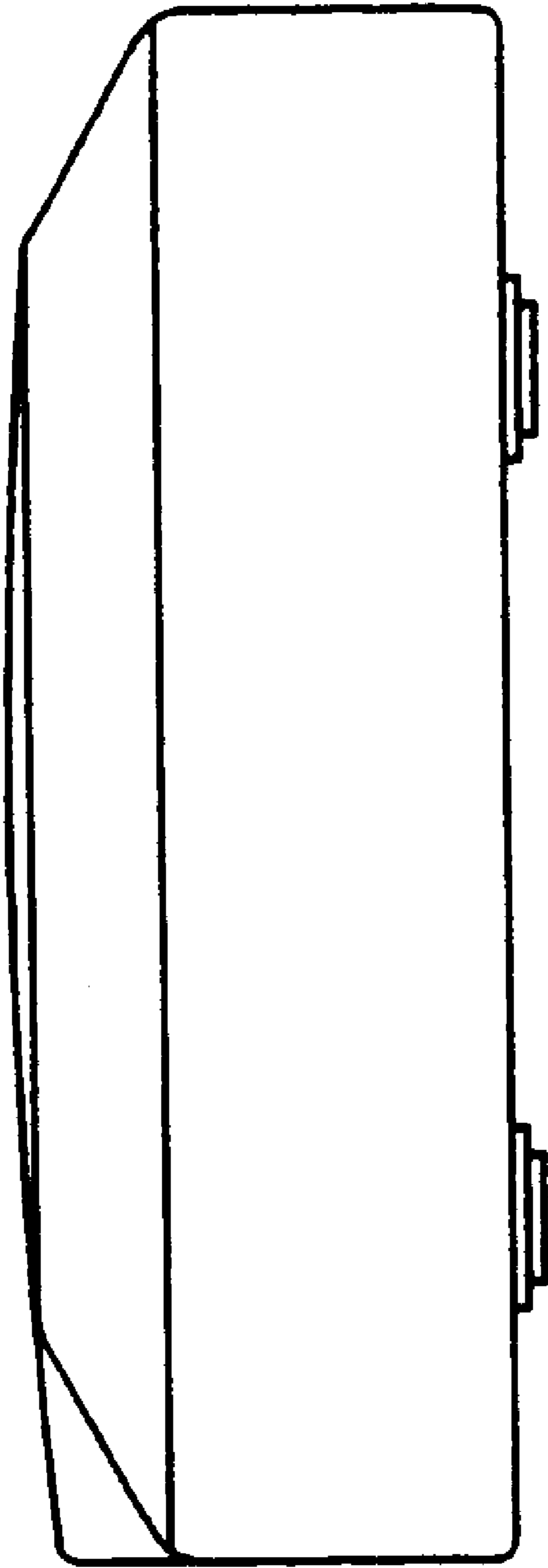


FIG. 6

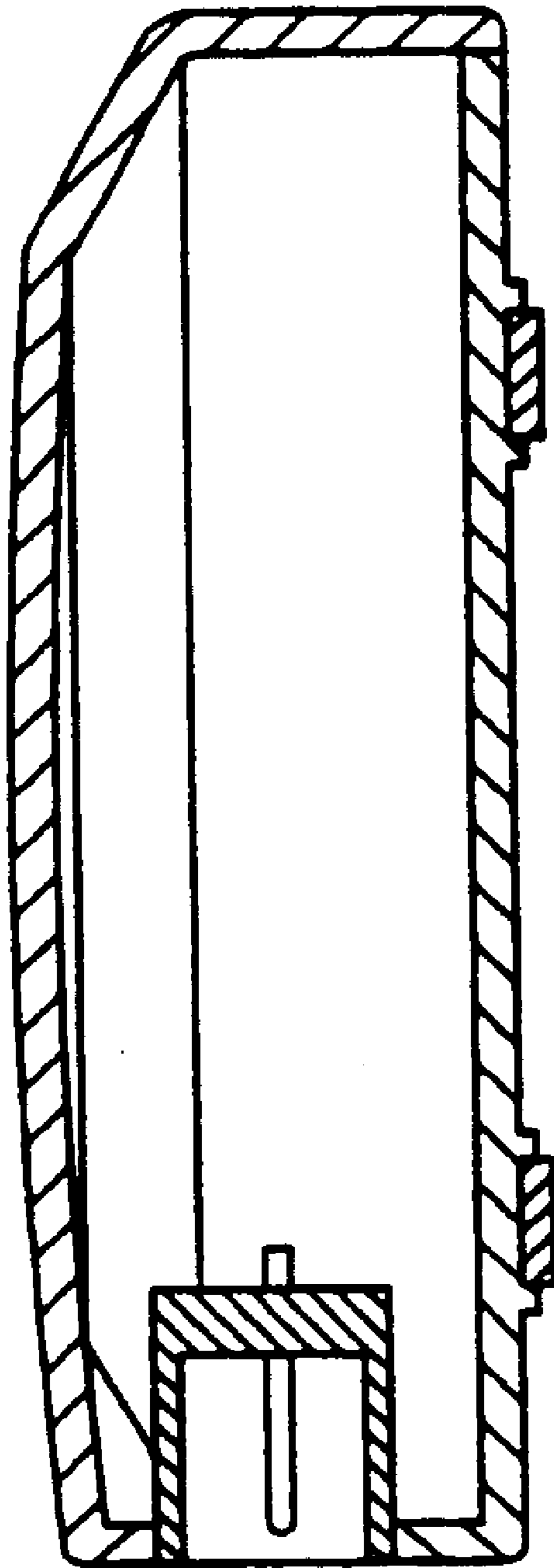


FIG. 7

UNITED STATES PATENT AND TRADEMARK OFFICE
CERTIFICATE OF CORRECTION

PATENT NO. : Des 453,329 S
DATED : February 5, 2002
INVENTOR(S) : Muramatsu

Page 1 of 1

It is certified that error appears in the above-identified patent and that said Letters Patent is hereby corrected as shown below:

Title page,
Item [30], should read as follows:

-- [30] **Foreign Application Priority Data**
Sep. 20, 2000 (JP) 2000-026228 --

Signed and Sealed this

Seventeenth Day of September, 2002

Attest:



Attesting Officer

JAMES E. ROGAN
Director of the United States Patent and Trademark Office