



US00D453324S

(12) **United States Design Patent**
Sawai

(10) **Patent No.:** **US D453,324 S**

(45) **Date of Patent:** **** Feb. 5, 2002**

(54) **INFRARED RAY EMITTER**

D354,042 S * 1/1995 Nogas D13/162
5,952,996 A * 9/1999 Kim et al. 345/158

(75) Inventor: **Kunihito Sawai**, Tokyo (JP)

* cited by examiner

(73) Assignee: **Sony Corporation**, Tokyo (JP)

Primary Examiner—Ted Shooman

(**) Term: **14 Years**

Assistant Examiner—Selina Sikder

(21) Appl. No.: **29/126,712**

(74) *Attorney, Agent, or Firm*—Rader, Fishman & Grauer, PLLC

(22) Filed: **Jul. 24, 2000**

(51) **LOC (7) Cl.** **13-03**

(52) **U.S. Cl.** **D13/165**

(58) **Field of Search** D13/158, 159,
D13/160, 161, 162, 165, 168, 174, 177;
219/711; 250/332, 341.6, 343, 347, 351,
353; 359/189, 512

(57) **CLAIM**

The ornamental design for an infrared ray emitter, as shown and described.

DESCRIPTION

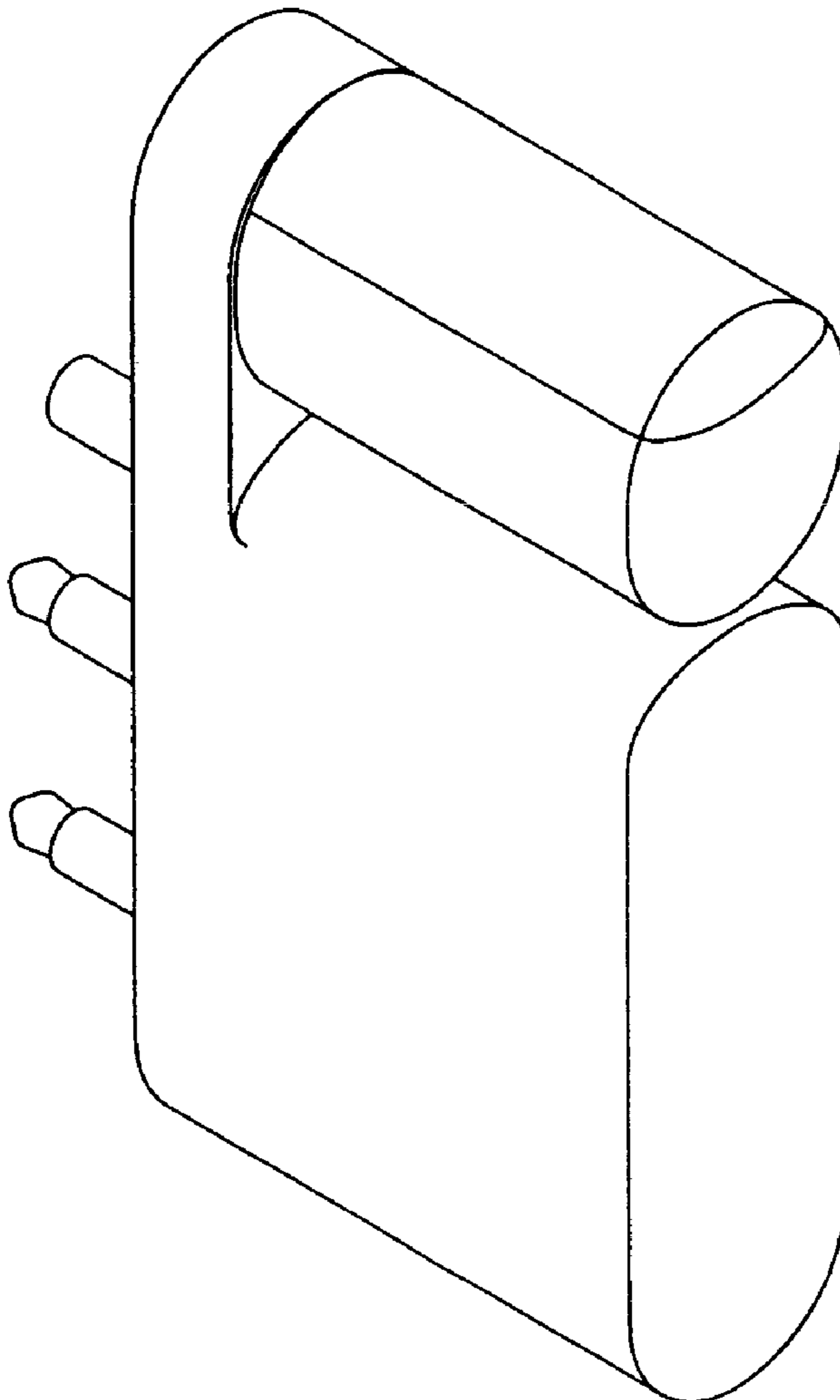
FIG. 1 is a perspective view of an infrared ray emitter showing my design;
FIG. 2 is a top plan view thereof;
FIG. 3 is a left side elevational view thereof;
FIG. 4 is a front elevational view thereof;
FIG. 5 is a bottom plan view thereof;
FIG. 6 is a right side elevational view thereof; and,
FIG. 7 is a rear elevational view thereof.

(56) **References Cited**

U.S. PATENT DOCUMENTS

D208,864 S * 10/1967 Roy D13/159
D209,748 S * 1/1968 Moxon D13/159
4,617,438 A * 10/1986 Nakata 219/711

1 Claim, 2 Drawing Sheets



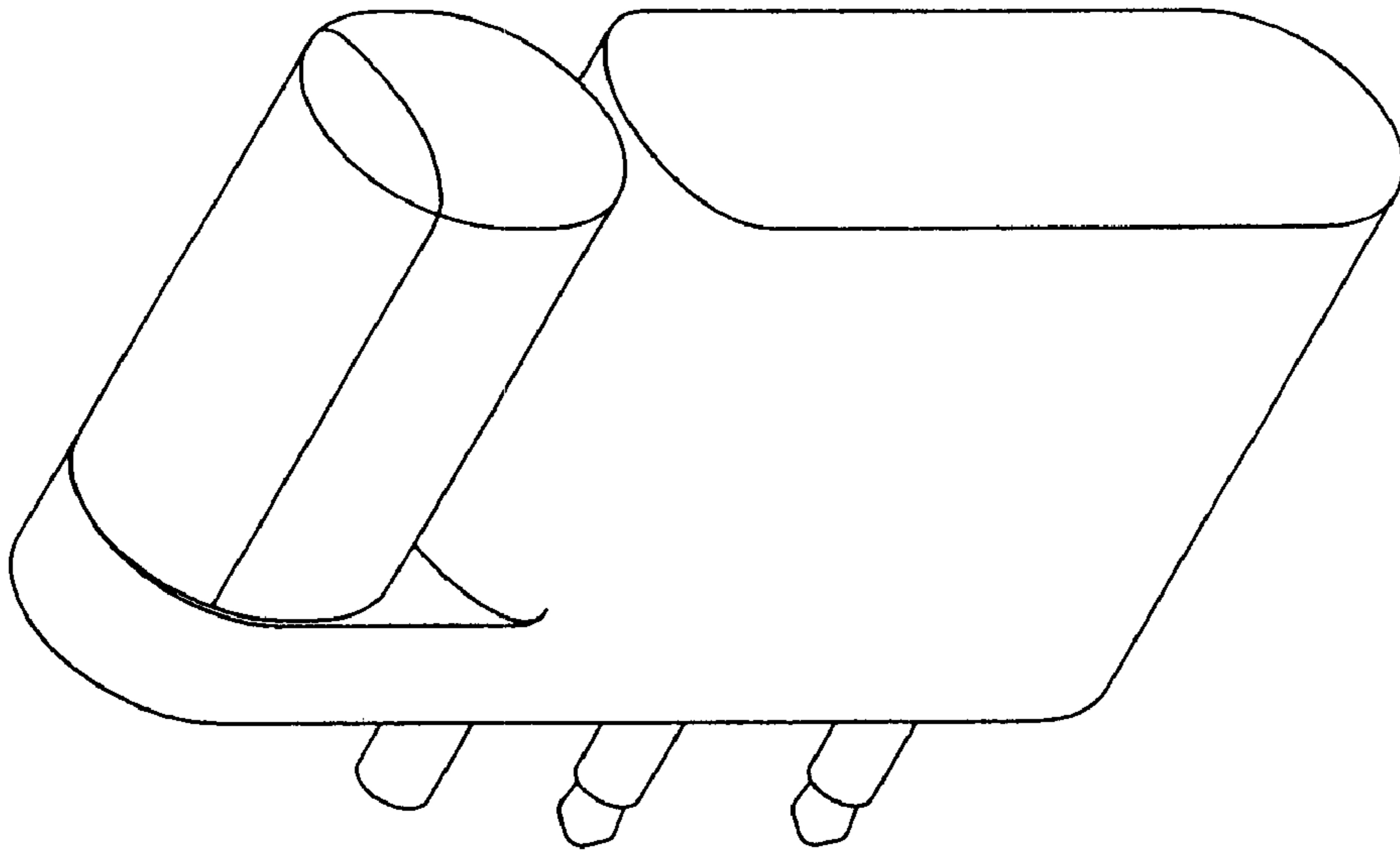


FIG. 1

FIG. 2

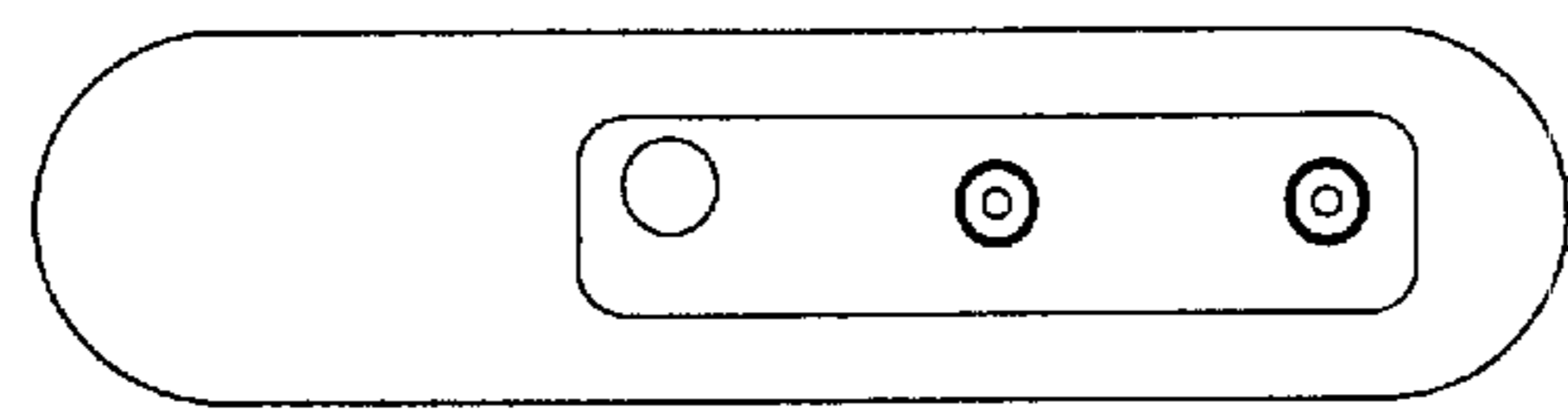
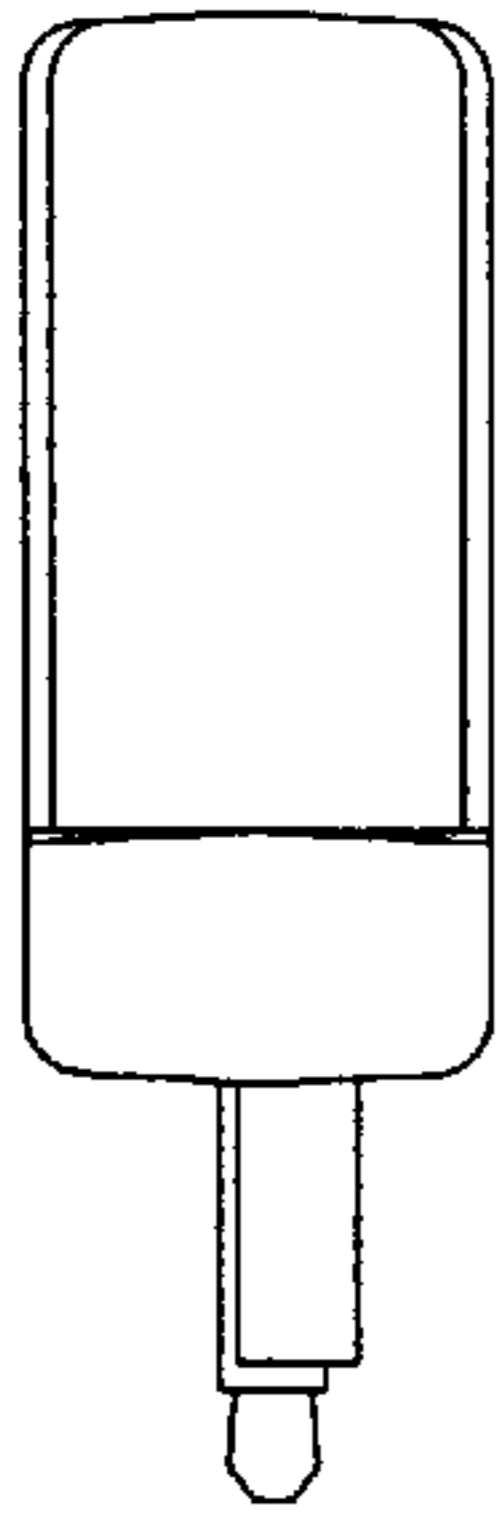


FIG. 3

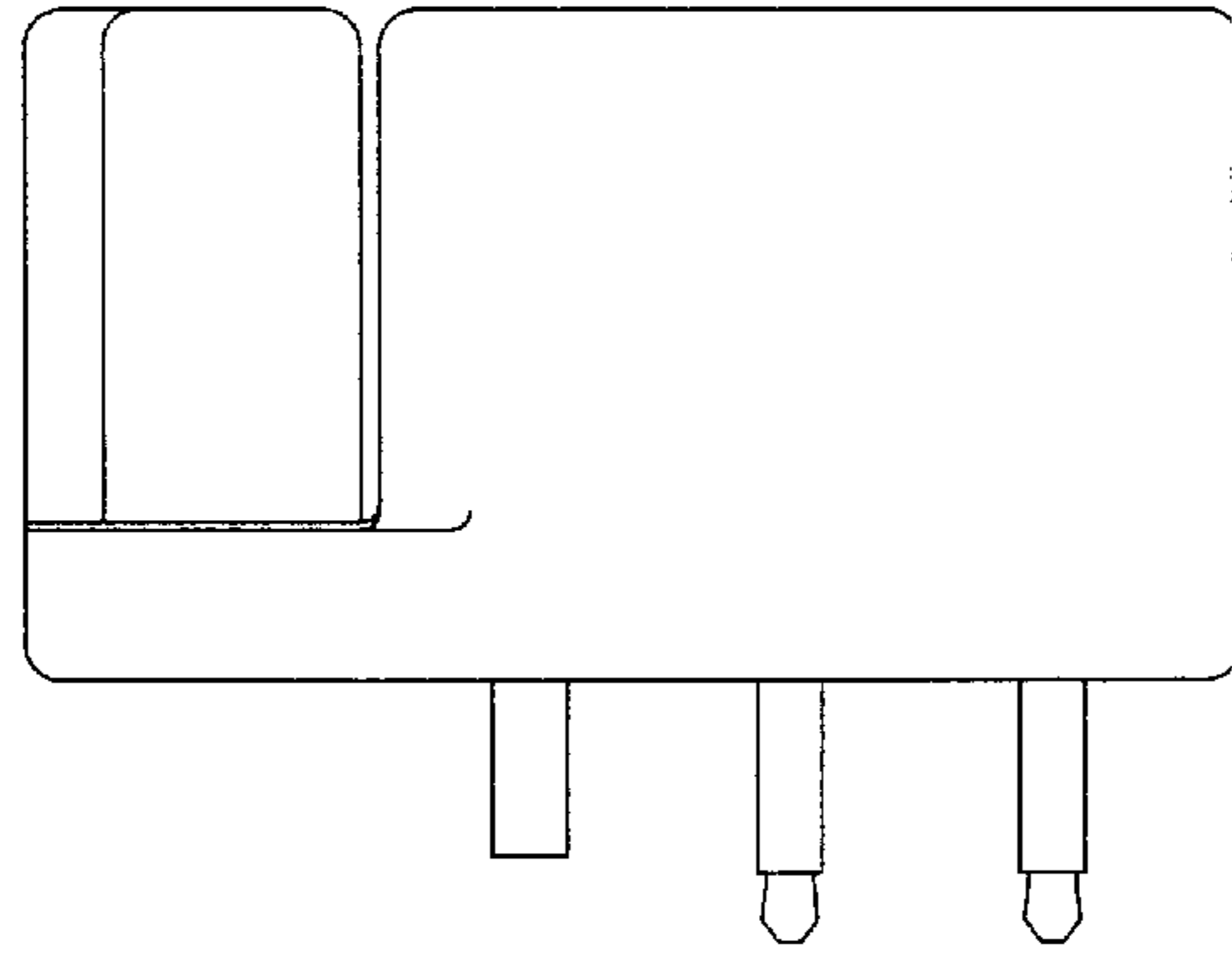


FIG. 4

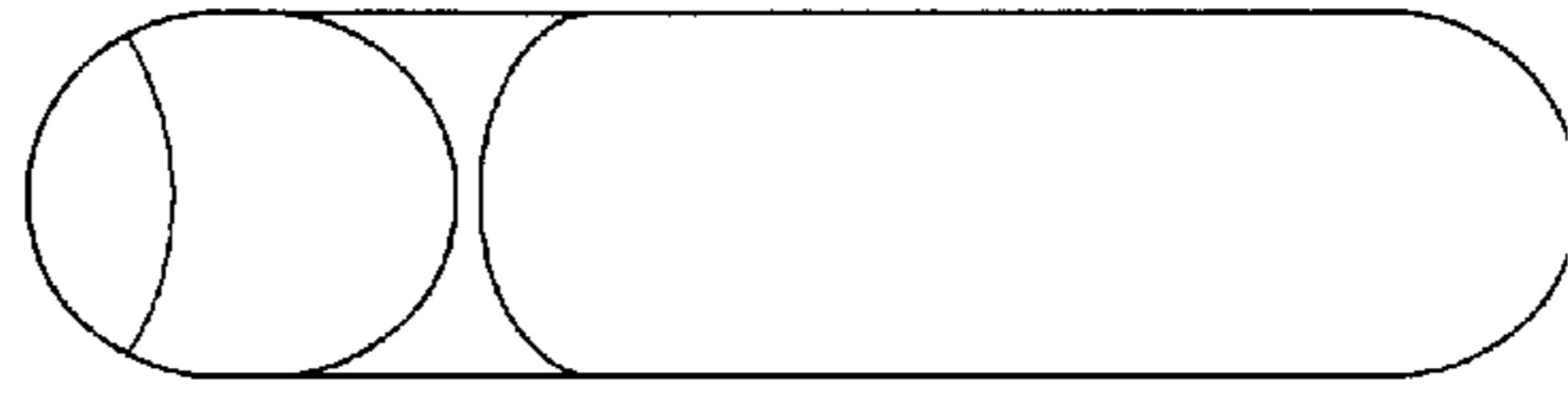


FIG. 6

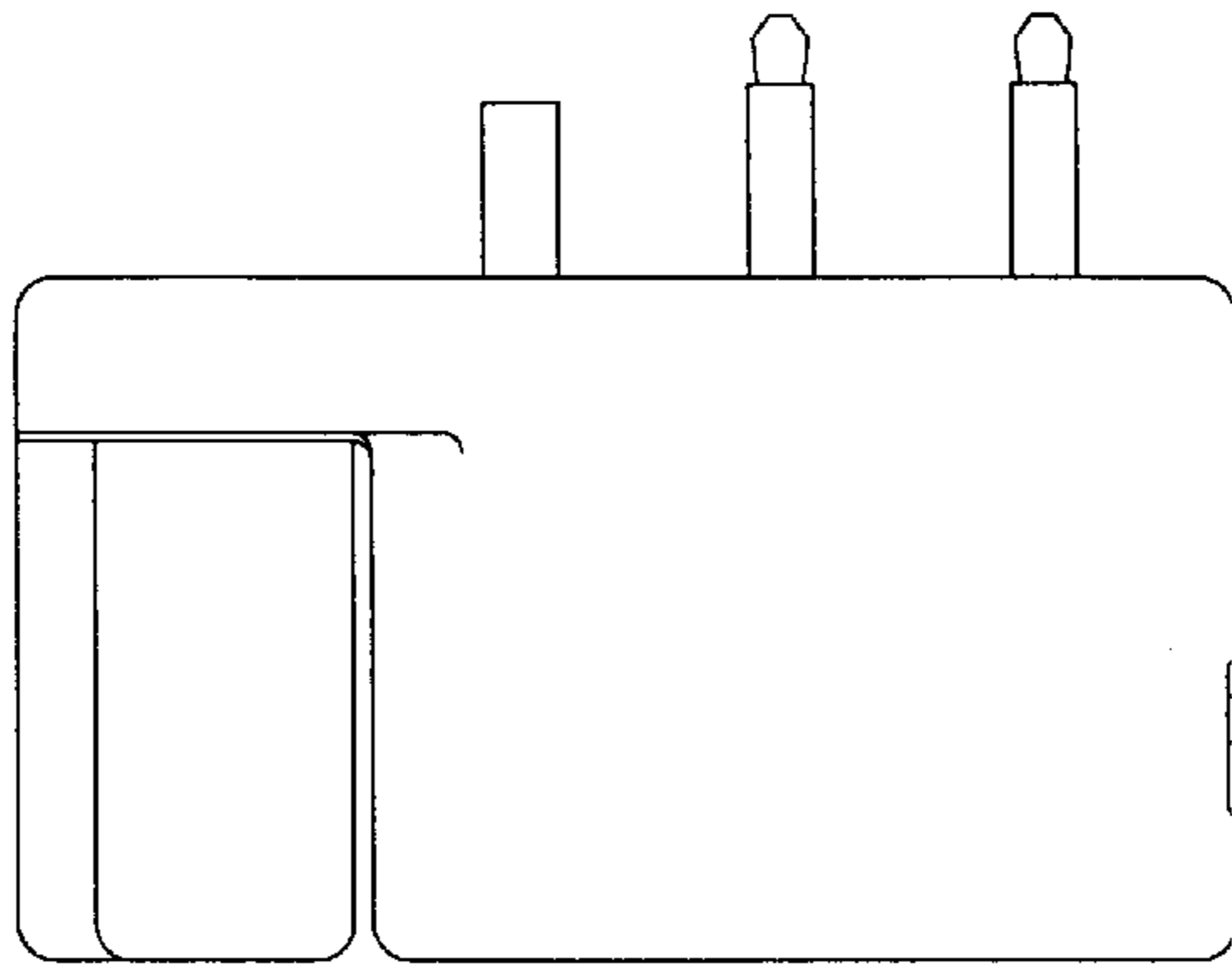


FIG. 7

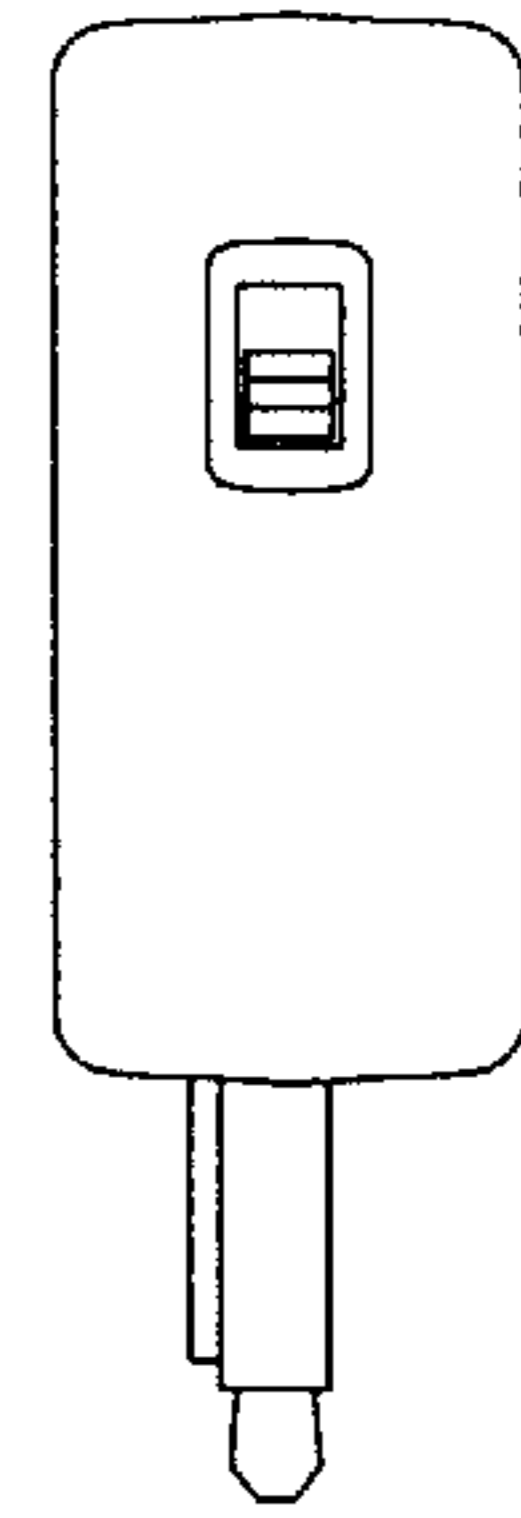


FIG. 5