



US00D453322S

(12) **United States Design Patent** (10) **Patent No.:** **US D453,322 S**  
**Lee** (45) **Date of Patent:** **\*\* Feb. 5, 2002**

(54) **CONNECTOR SHELL**

(75) Inventor: **Kendrew Lee**, Sunnyvale, CA (US)

(73) Assignee: **Monster Cable Products, Inc.**,  
Brisbane, CA (US)

(\*\*) Term: **14 Years**

(21) Appl. No.: **29/121,154**

(22) Filed: **Mar. 31, 2000**

(51) **LOC (7) Cl.** ..... **13-03**

(52) **U.S. Cl.** ..... **D13/154; D13/133**

(58) **Field of Search** ..... **D13/133, 154,**  
**D13/156; 439/578, 668, 669, 675, 750,**  
**851, 889**

(56) **References Cited**

**U.S. PATENT DOCUMENTS**

D400,171 S	*	10/1998	Nimpoeno et al.	.....	D13/133
D403,302 S	*	12/1998	Awbrey	.....	D13/133
D405,050 S	*	2/1999	Lee	.....	D13/133
D414,462 S	*	9/1999	Peterson et al.	.....	D13/133
D425,023 S	*	5/2000	Awbrey	.....	D13/133
D434,009 S	*	11/2000	Lee	.....	D13/154

\* cited by examiner

*Primary Examiner*—Joel Sincavage

(74) *Attorney, Agent, or Firm*—Lariviere, Grubman & Payne, LLP

(57) **CLAIM**

The ornamental design for a connector shell, as shown and described.

**DESCRIPTION**

FIG. 1 is a perspective view of the first embodiment of the connector shell according to the present invention.

FIG. 2 is a left side view of the first embodiment of the connector shell shown in FIG. 1.

FIG. 3 is a rear view of the first embodiment of the connector shell shown in FIG. 1.

FIG. 4 is a front view of the first embodiment of the connector shell shown in FIG. 1.

FIG. 5 is a top view of the first embodiment of the connector shell shown in FIG. 1.

FIG. 6 is a right side view of the first embodiment of the connector shell shown in FIG. 1.

FIG. 7 is a bottom view of the first embodiment of the connector shell shown in FIG. 1.

The broken lines throughout the drawing figures are included for the purpose of illustrating environmental structure only and form no part of the claimed design.

FIG. 8 is a perspective view of the second embodiment of the connector shell according to the present invention.

FIG. 9 is a left side view of the second embodiment of the connector shell shown in FIG. 8.

FIG. 10 is a right side view of the second embodiment of the connector shell shown in FIG. 8.

FIG. 11 is a front view of the second embodiment of the connector shell shown in FIG. 8.

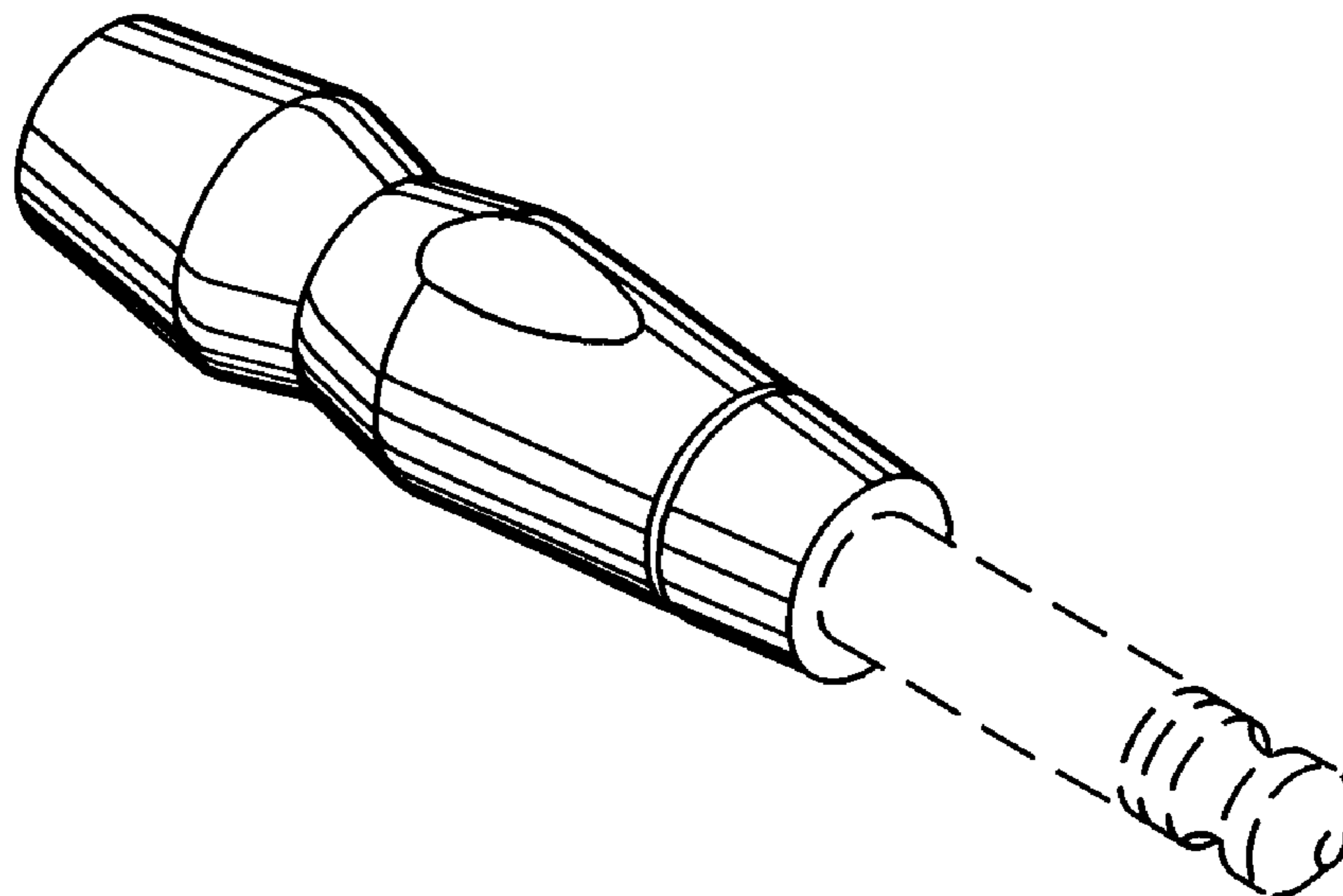
FIG. 12 is a top view of the second embodiment of the connector shell shown in FIG. 8.

FIG. 13 is a rear view of the second embodiment of the connector shell shown in FIG. 8; and,

FIG. 14 is a bottom view of the second embodiment of the connector shell shown in FIG. 8.

The broken lines throughout the drawing figures are included for the purpose of illustrating environmental structure only and form no part of the claimed design.

**1 Claim, 4 Drawing Sheets**



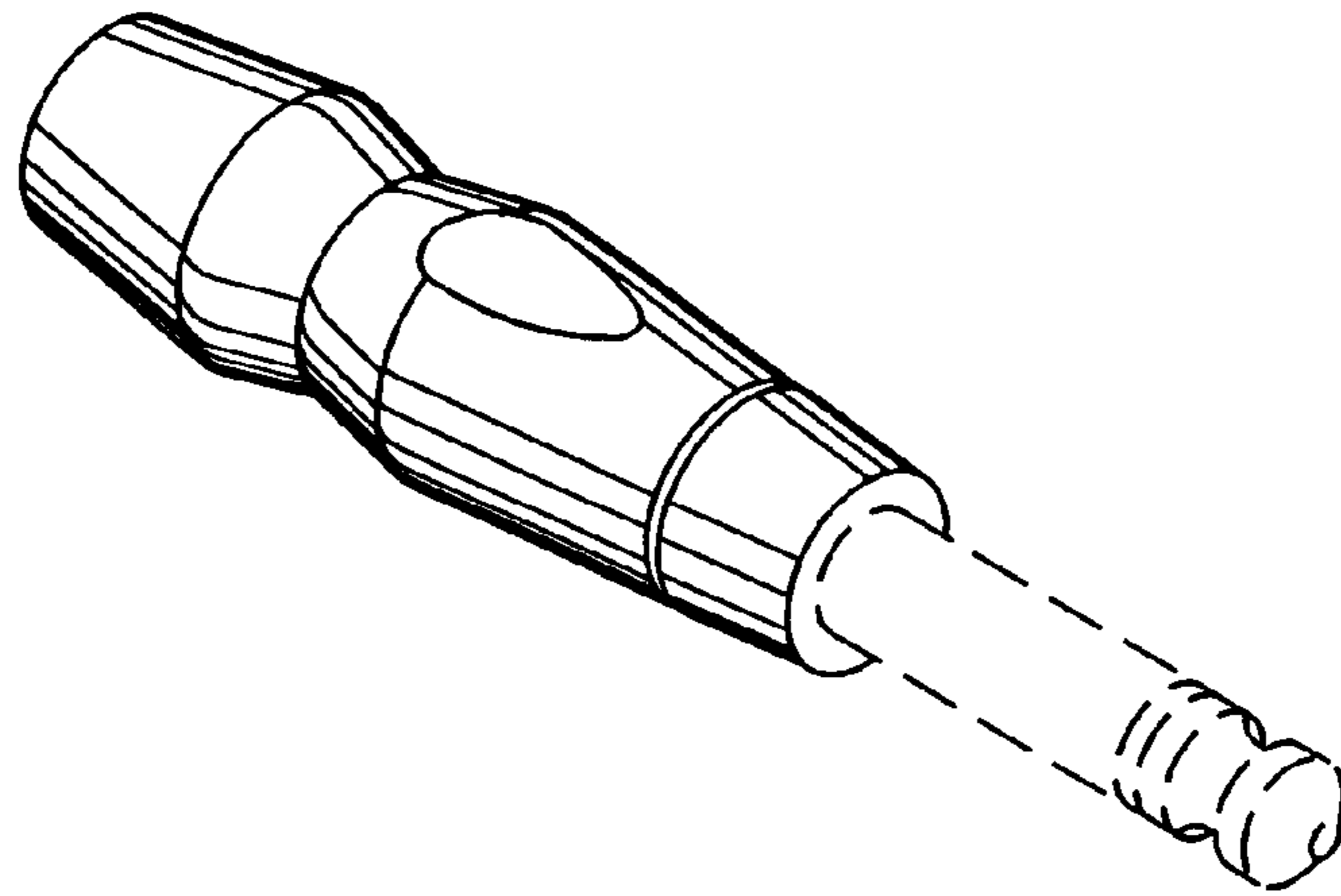


Fig. 1

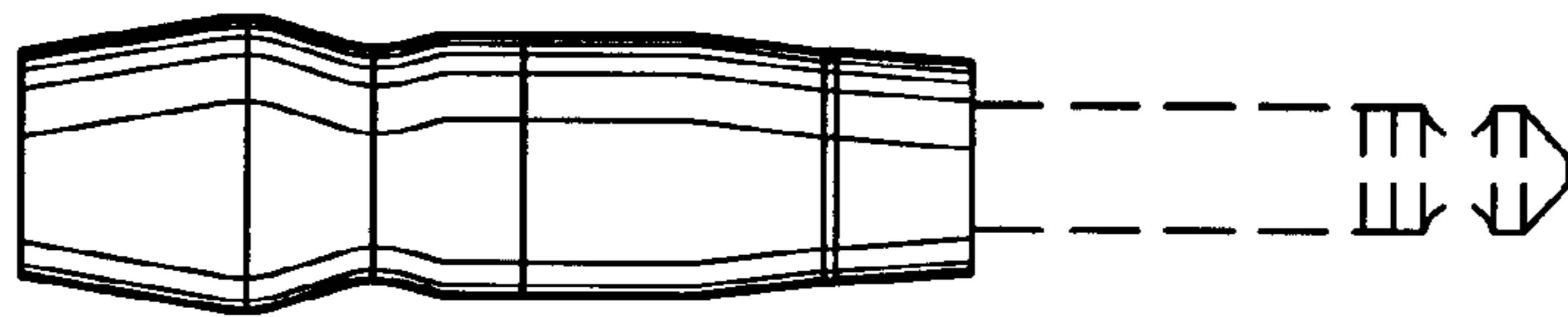


Fig. 2

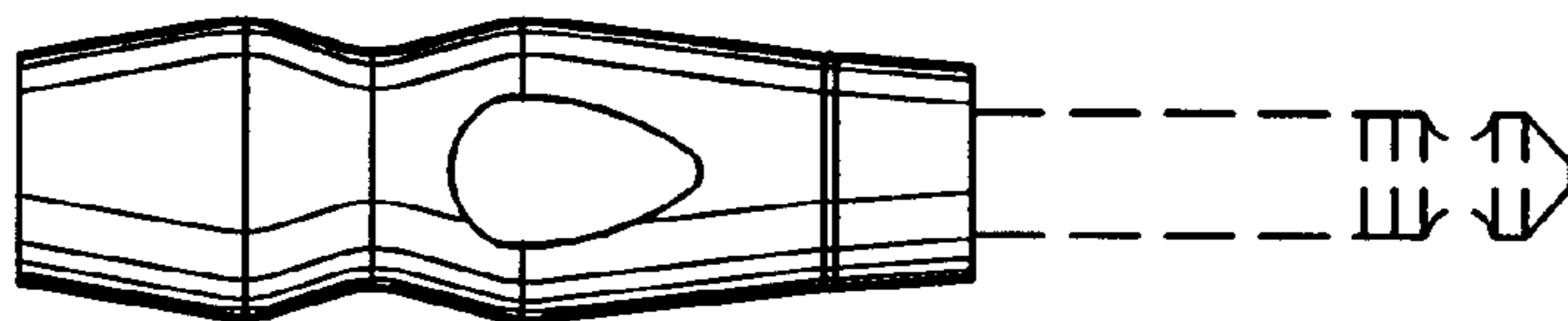


Fig. 7

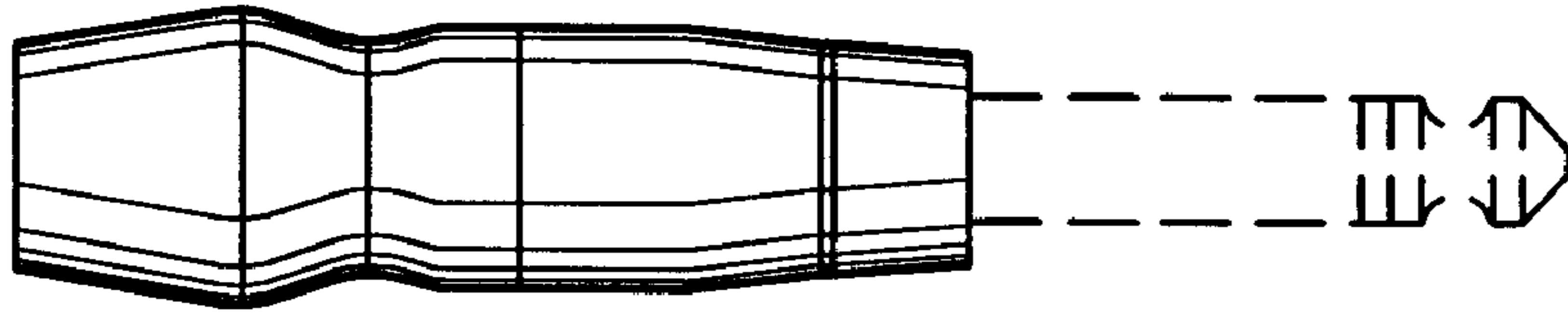


Fig. 6

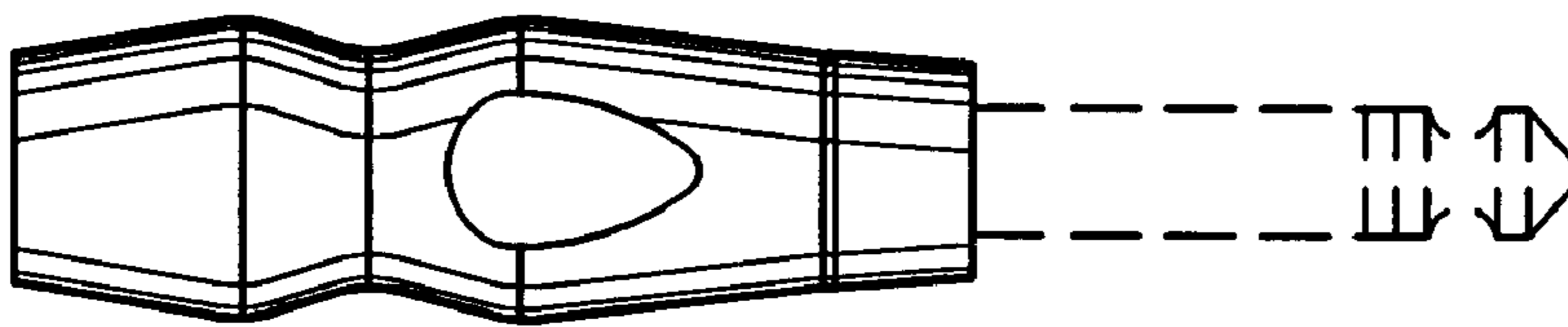


Fig. 5

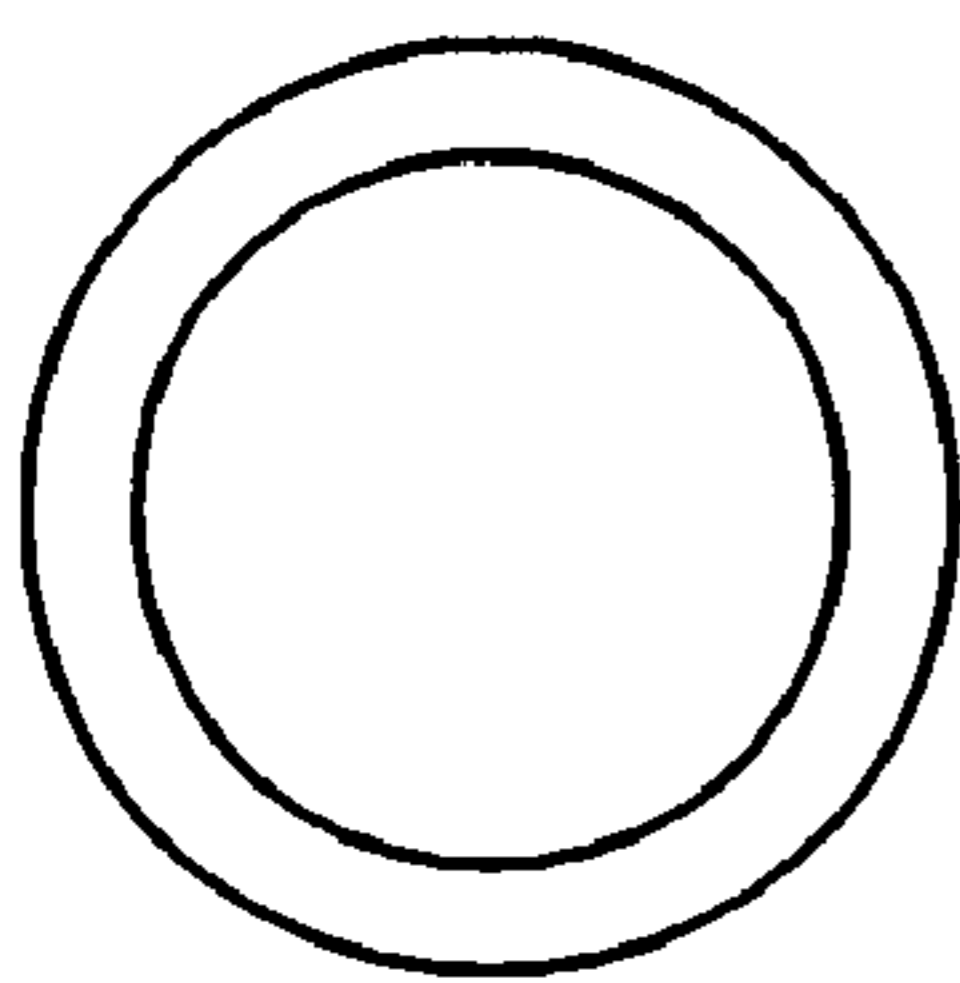


Fig. 3

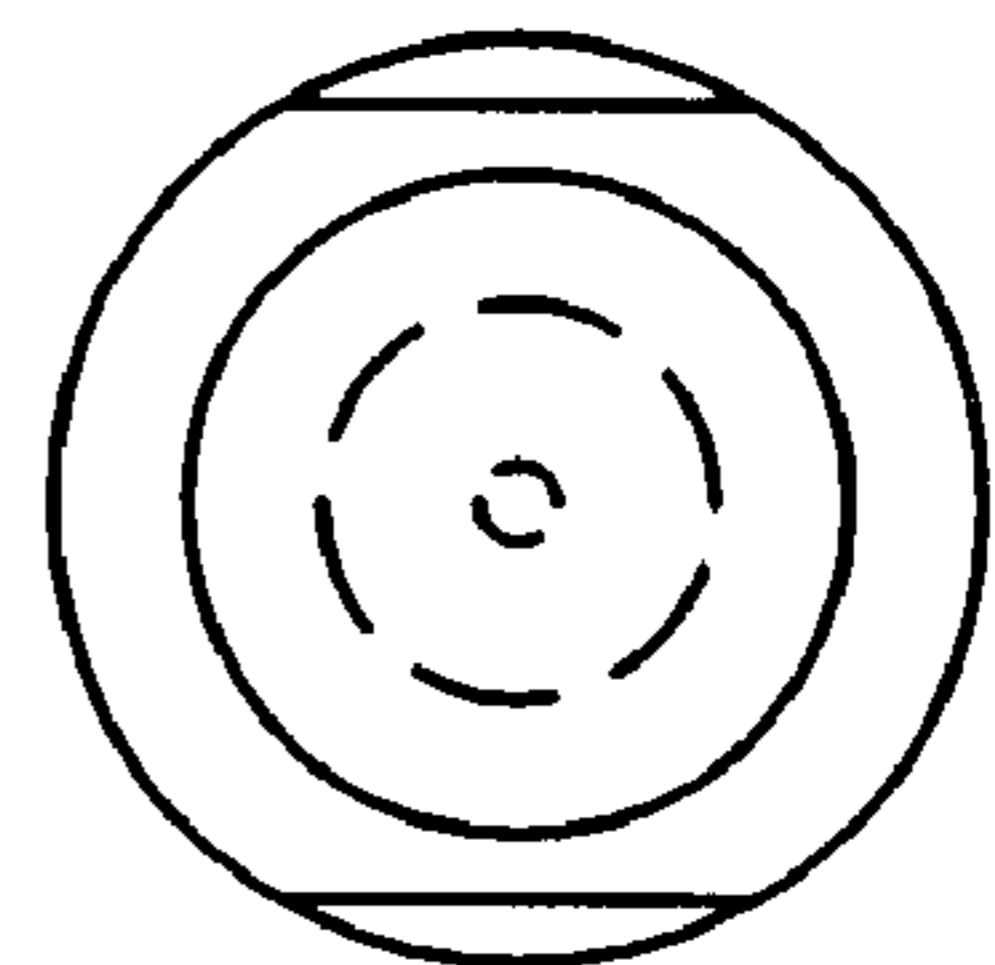


Fig. 4

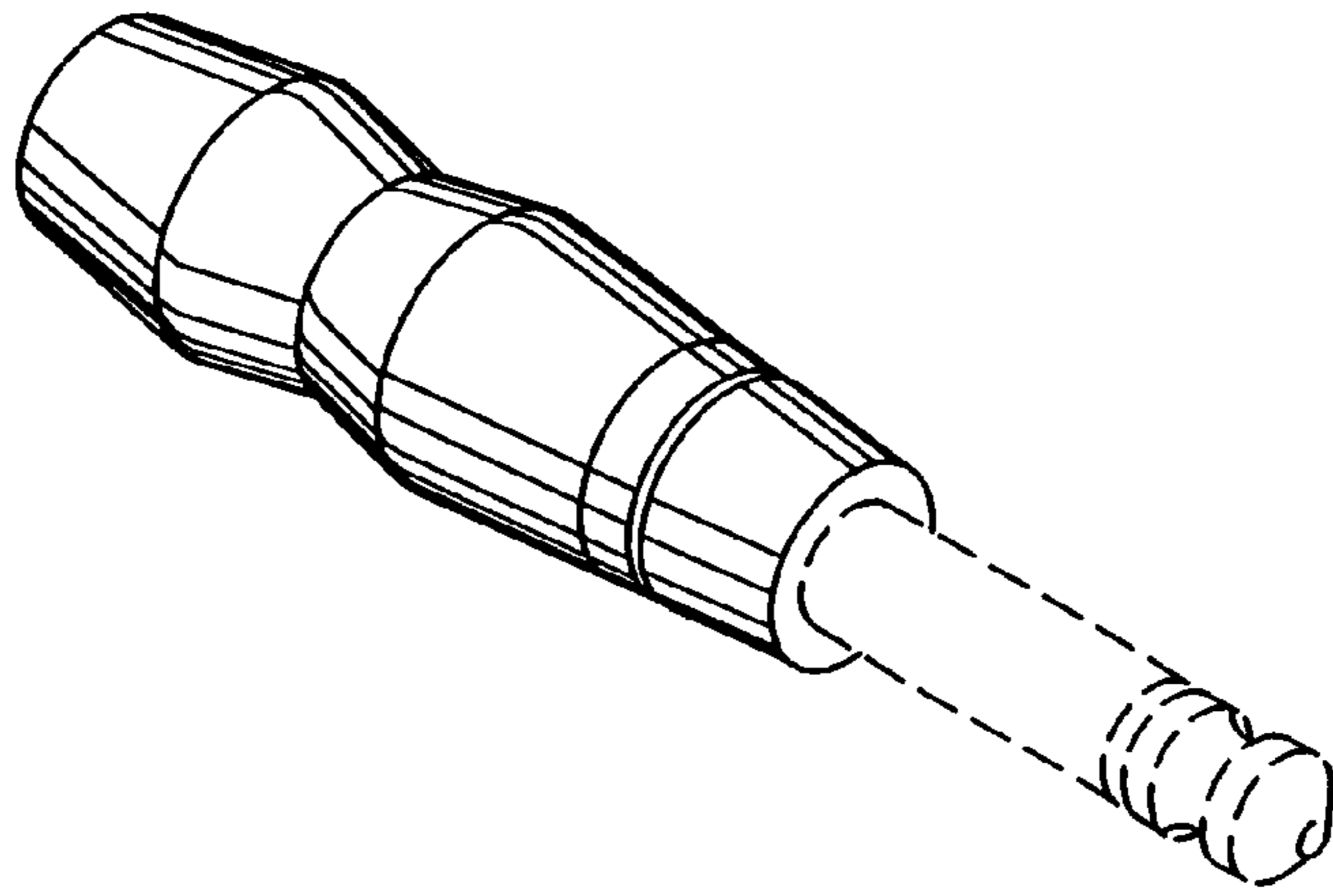


Fig. 8

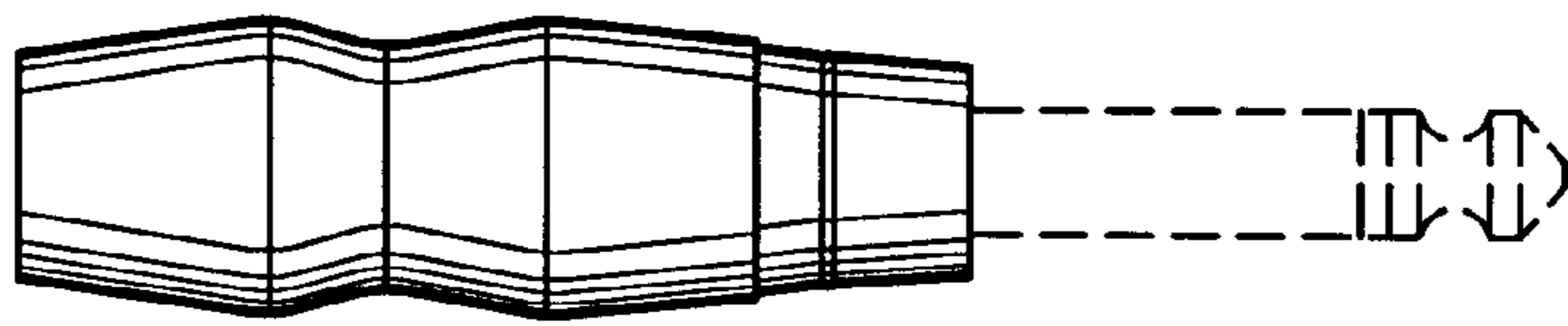


Fig. 9

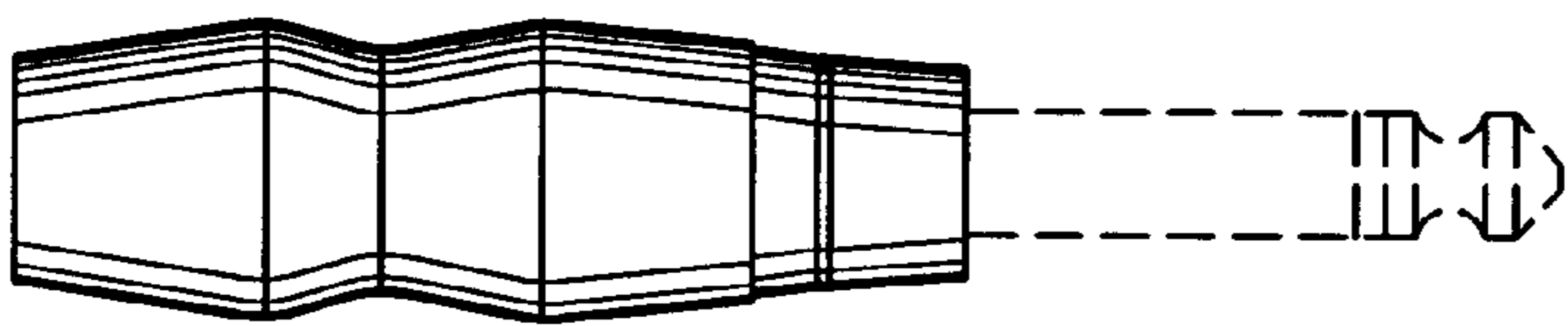


Fig. 10

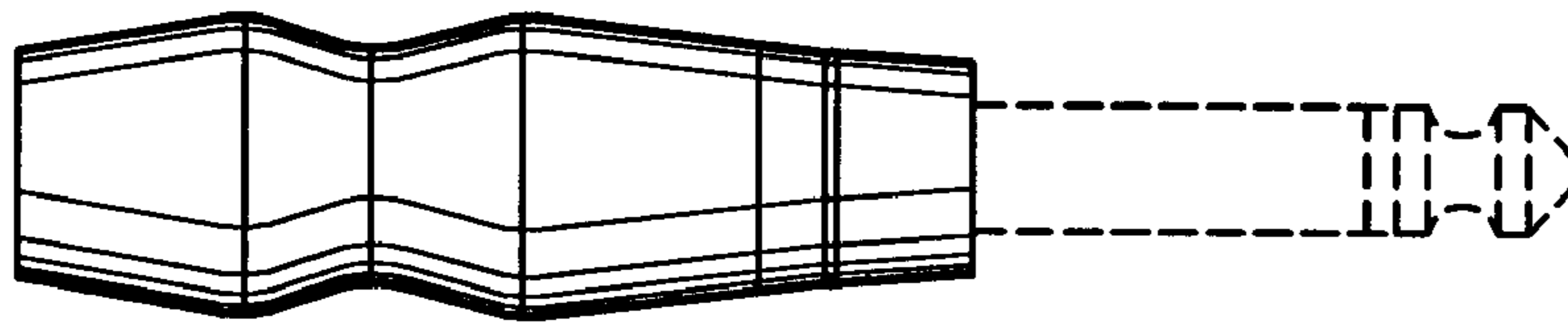


Fig. 14

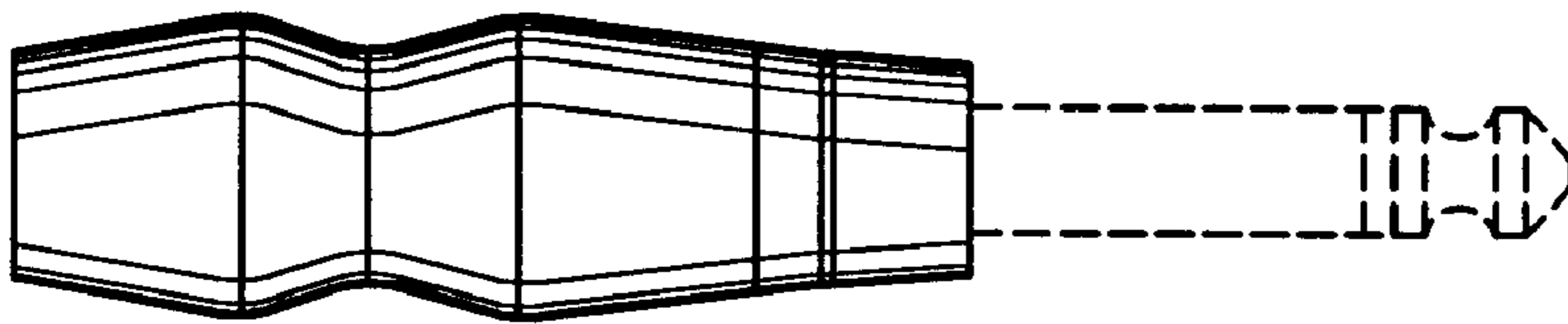


Fig. 12

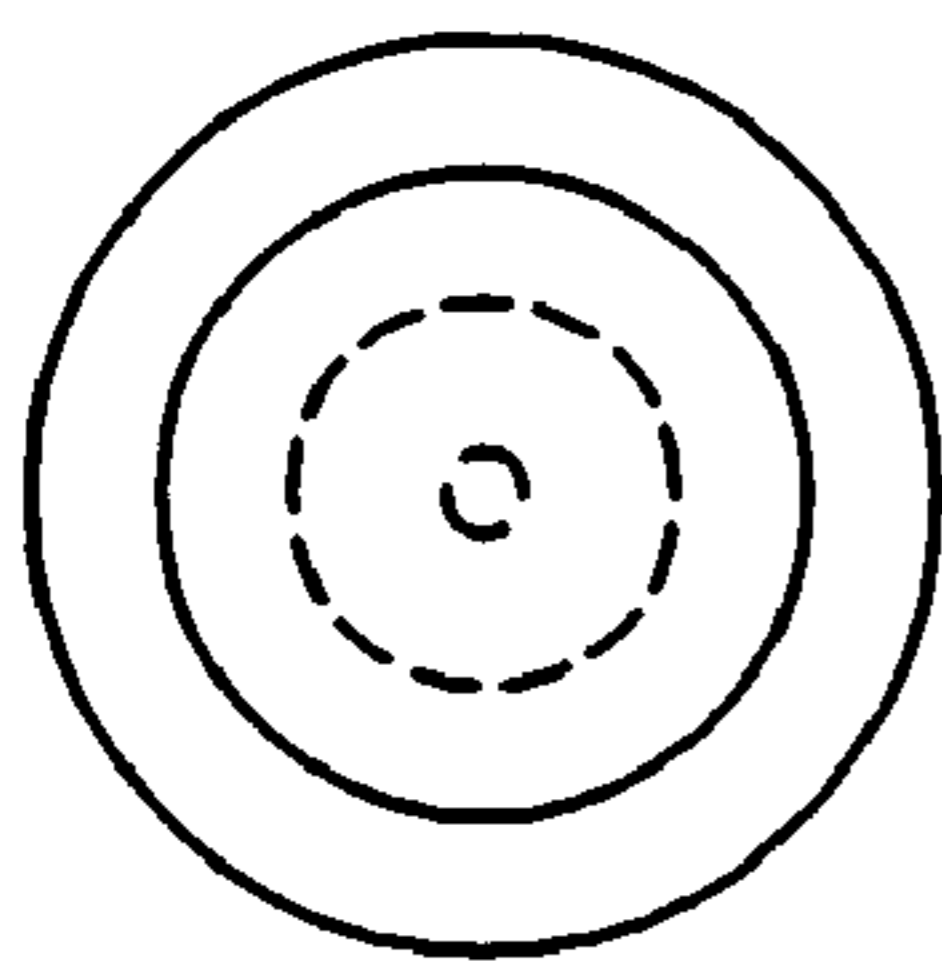


Fig. 11

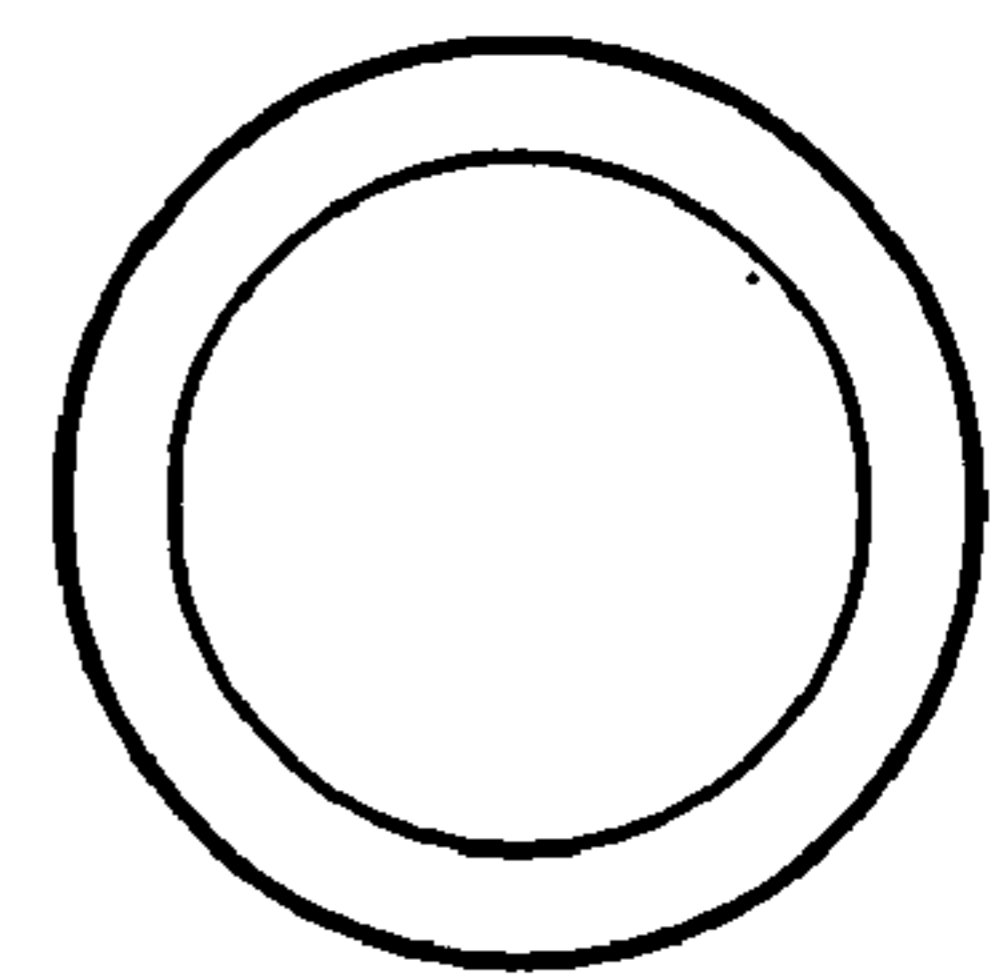


Fig. 13