



US00D453321S

(12) **United States Design Patent**
Nakatomi

(10) **Patent No.:** **US D453,321 S**

(45) **Date of Patent:** **** Feb. 5, 2002**

(54) **ELECTRICAL CONNECTOR**

(75) **Inventor:** **Yuko Nakatomi, Akishima (JP)**

(73) **Assignee:** **Japan Aviation Electronics Industry, Limited, Tokyo (JP)**

(**) **Term:** **14 Years**

(21) **Appl. No.:** **29/141,603**

(22) **Filed:** **May 9, 2001**

(30) **Foreign Application Priority Data**

Nov. 30, 2000 (JP) 2000-037982

(51) **LOC (7) Cl.** **13-03**

(52) **U.S. Cl.** **D13/147**

(58) **Field of Search** D13/146, 147;
439/108, 607, 608, 677-681, 638, 639,
752

(56) **References Cited**

U.S. PATENT DOCUMENTS

- 5,443,403 A * 8/1995 Weidler et al. 439/701
- D379,620 S * 6/1997 Aramaki D13/147
- D383,440 S * 9/1997 Ichikawa D13/147
- D402,630 S * 12/1998 Lai et al. D13/147
- D409,981 S * 5/1999 Wu D13/147
- 6,000,955 A * 12/1999 Zaderej 439/79

- D420,330 S * 2/2000 Wu et al. D13/147
- 6,065,992 A * 5/2000 Wu et al. 439/383
- D427,974 S * 7/2000 Takase et al. D13/147
- 6,093,046 A * 7/2000 Chiou et al. 439/378
- 6,152,773 A * 11/2000 Chen 439/607

* cited by examiner

Primary Examiner—Joel Sincavage

(74) *Attorney, Agent, or Firm*—Michael Best & Friedrich LLC

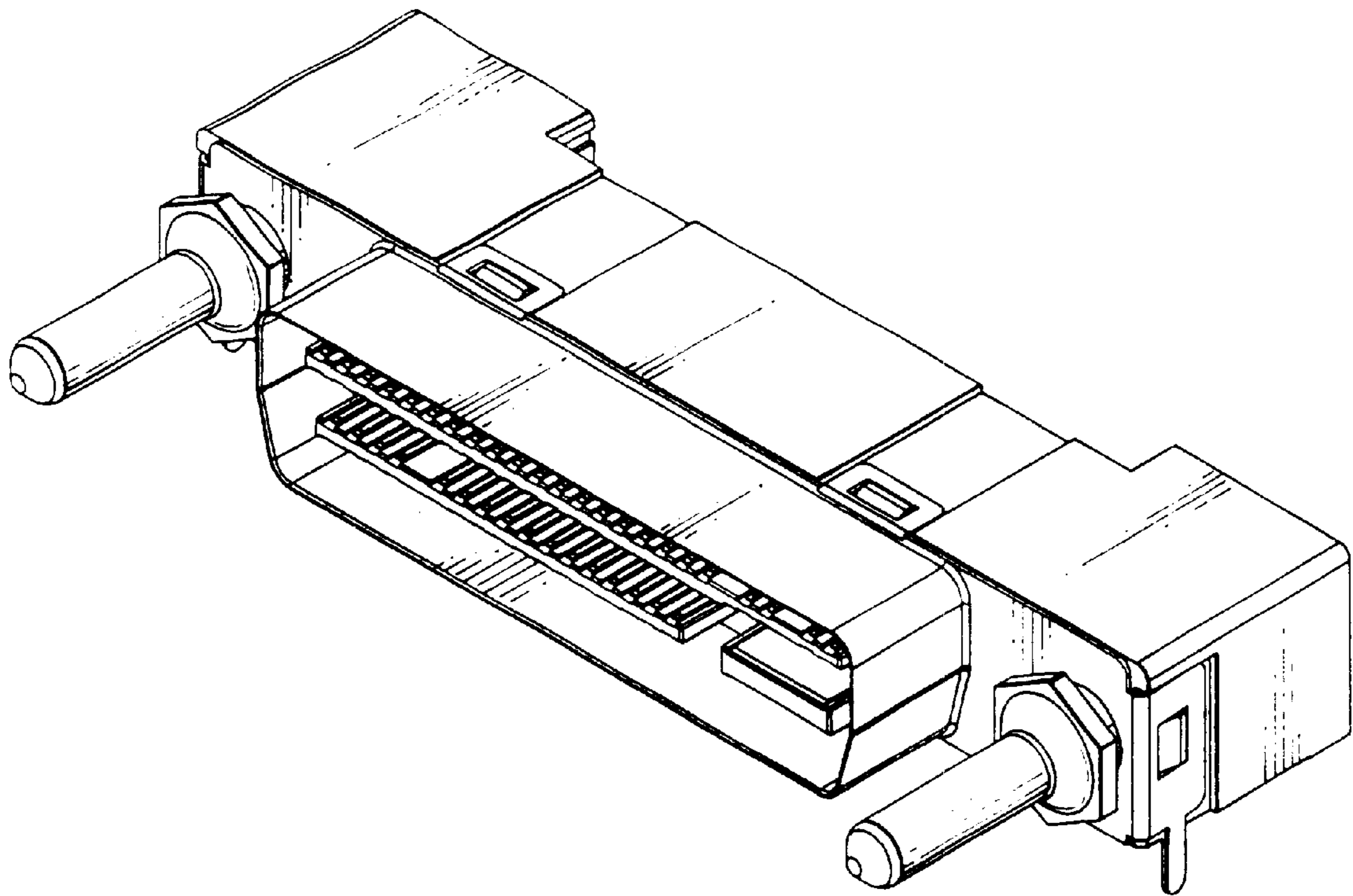
(57) **CLAIM**

The ornamental design for an electrical connector, as shown and described.

DESCRIPTION

FIG. 1 is a front elevational view of an electrical connector; FIG. 2 is a rear elevational view thereof; FIG. 3 is a left side elevational view thereof; FIG. 4 is a right side elevational view thereof; FIG. 5 is a top plan view thereof; FIG. 6 is a bottom plan view thereof; and, FIG. 7 is an enlarged cross-sectional view thereof along a line 7—7 in FIG. 1; FIG. 8 is an enlarged cross-sectional view thereof along a line 8—8 in FIG. 1; and, FIG. 9 is a front, top, and right side perspective view thereof.

1 Claim, 3 Drawing Sheets



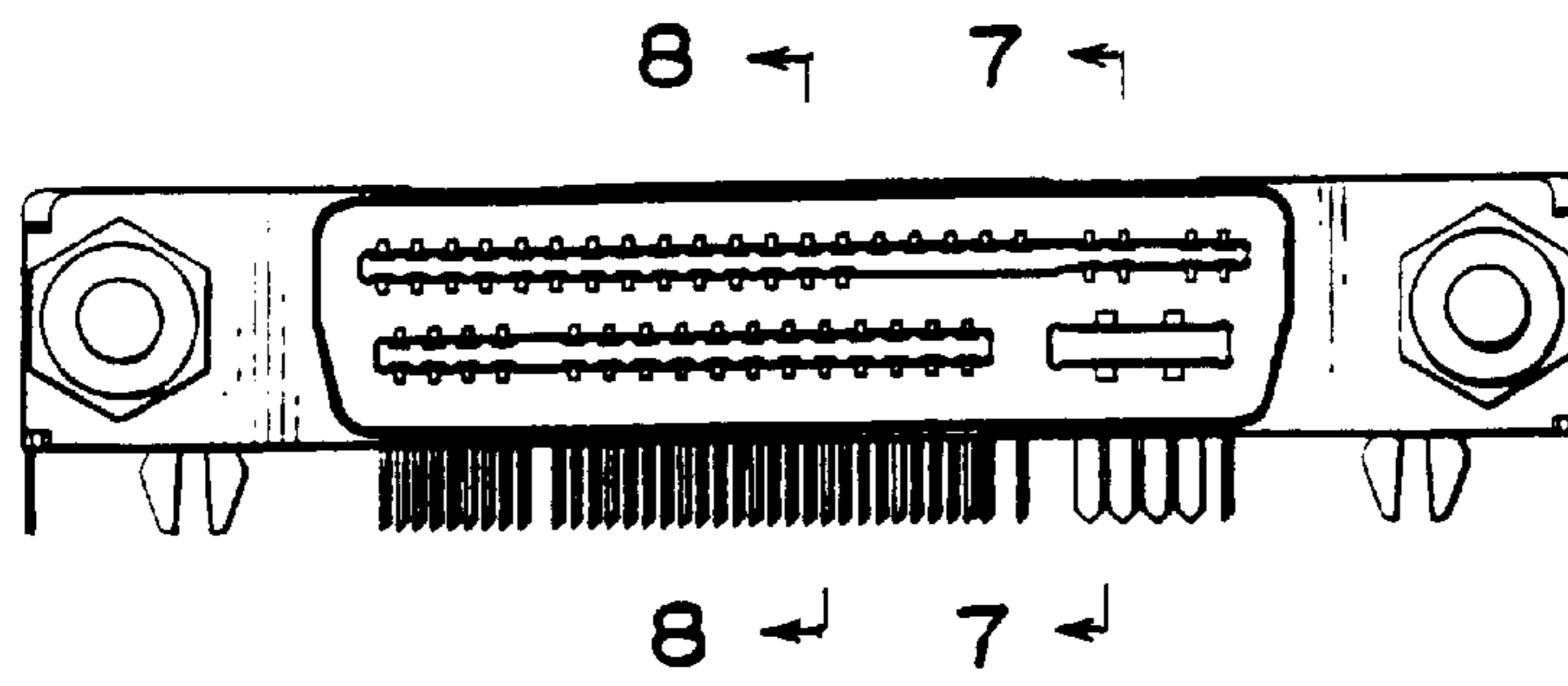


FIG. 1

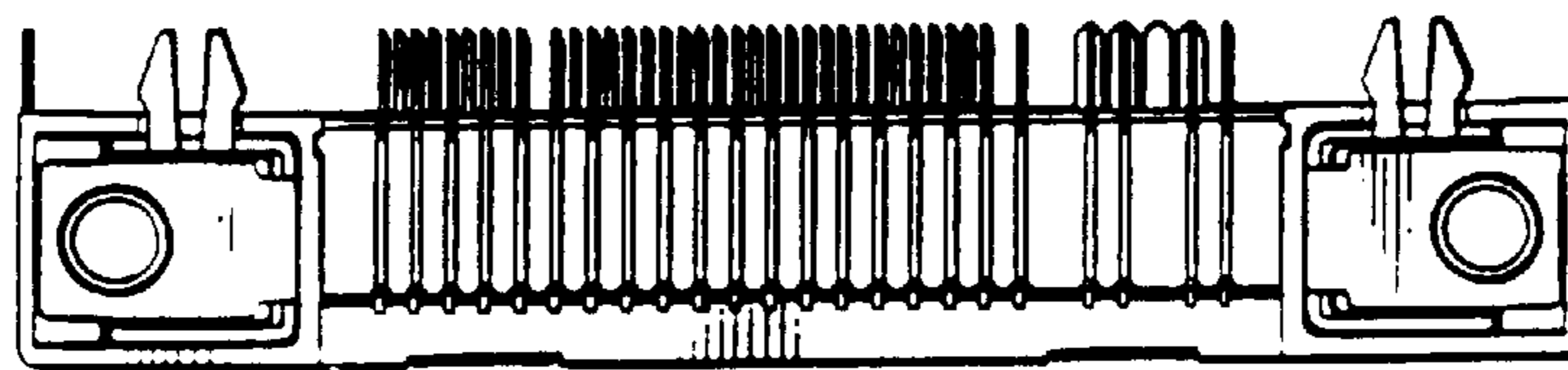


FIG. 2

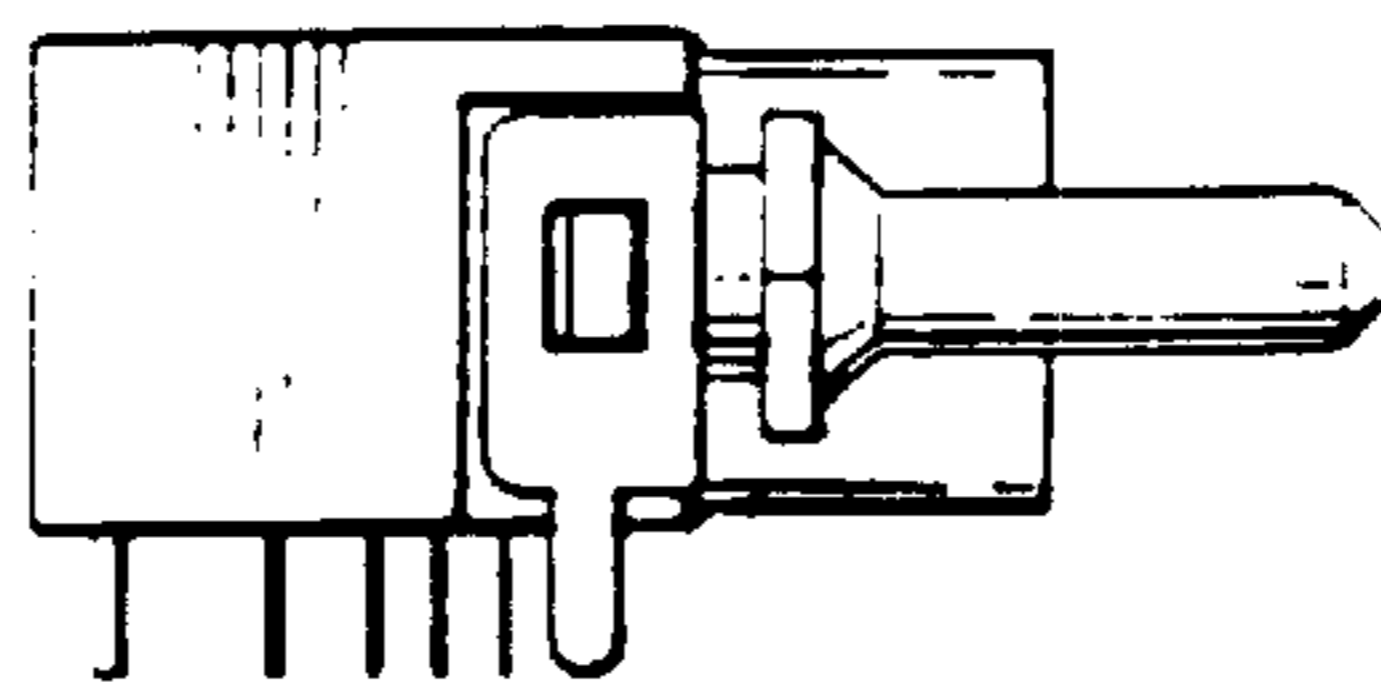


FIG. 3

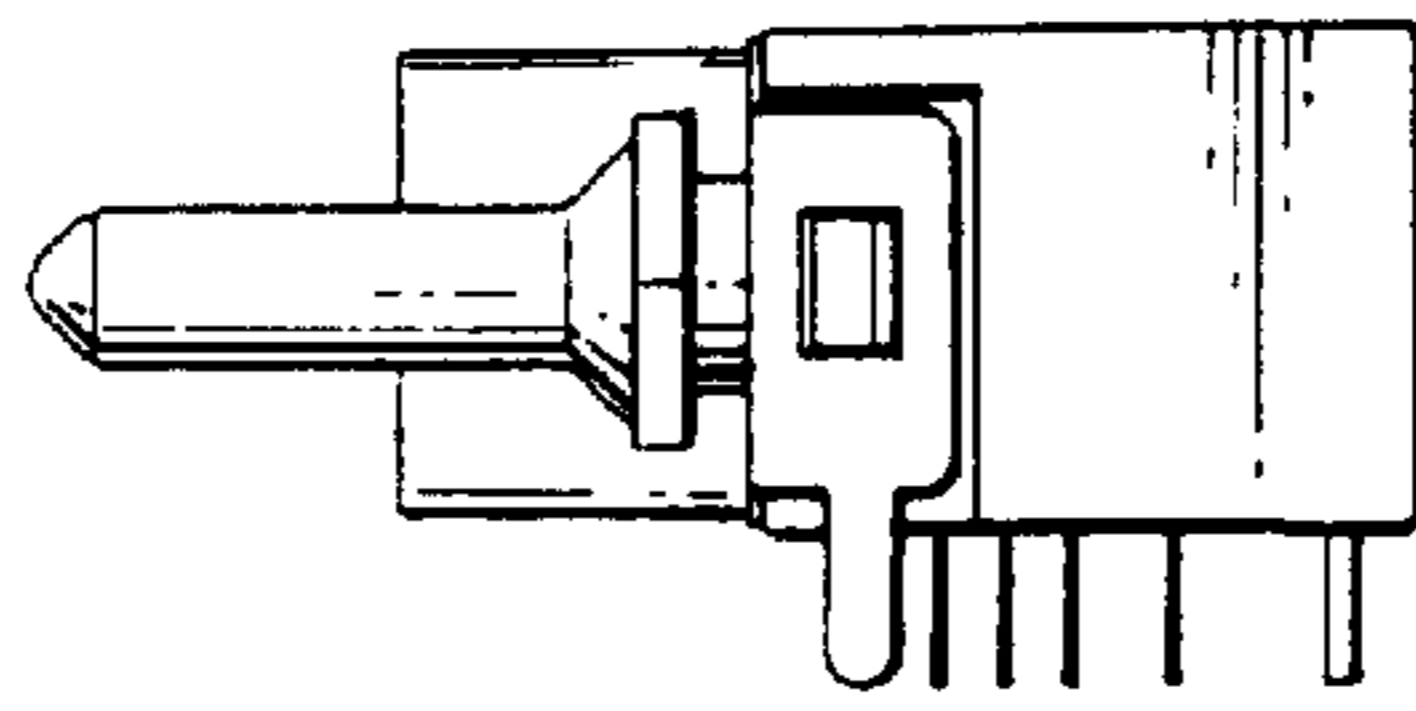


FIG. 4

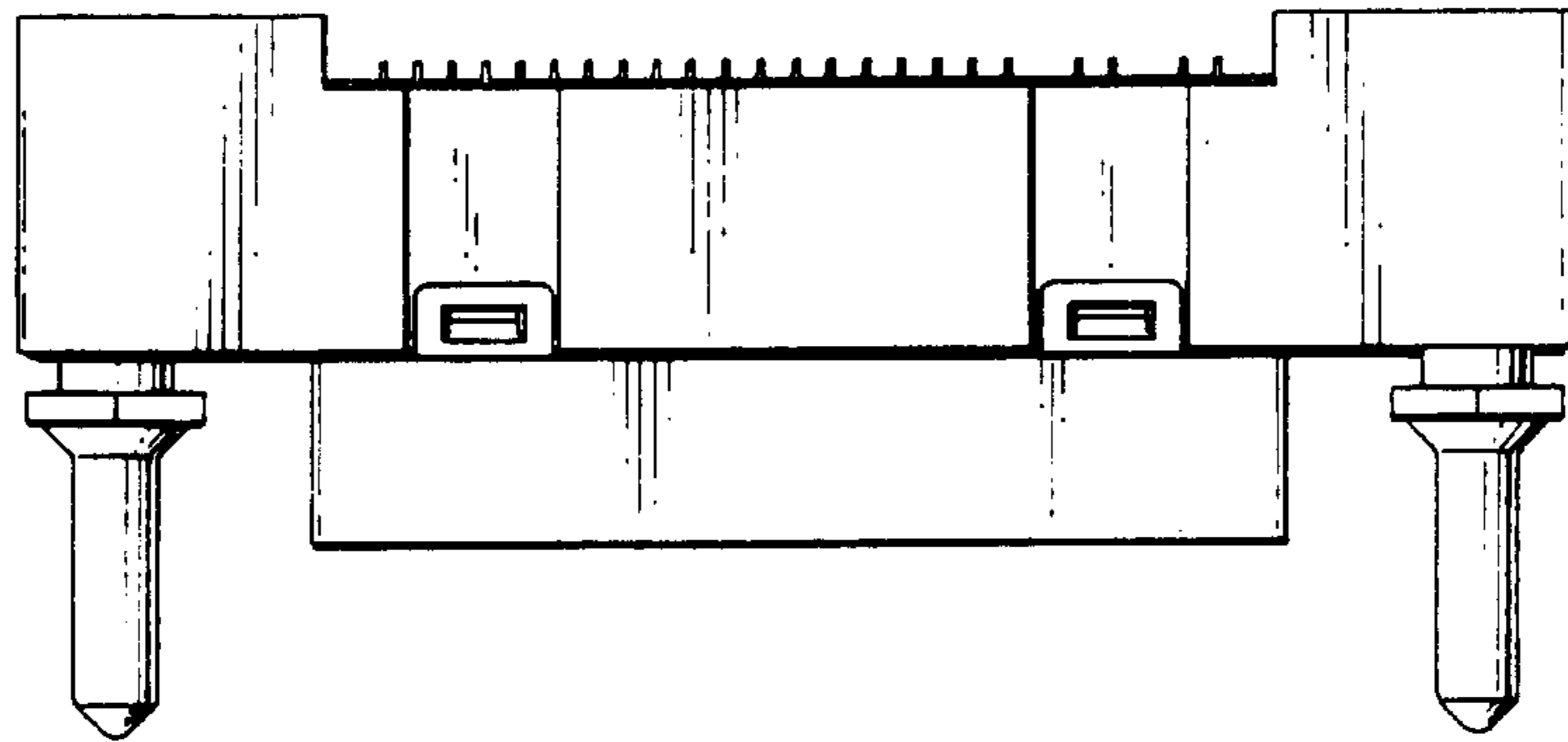


FIG. 5

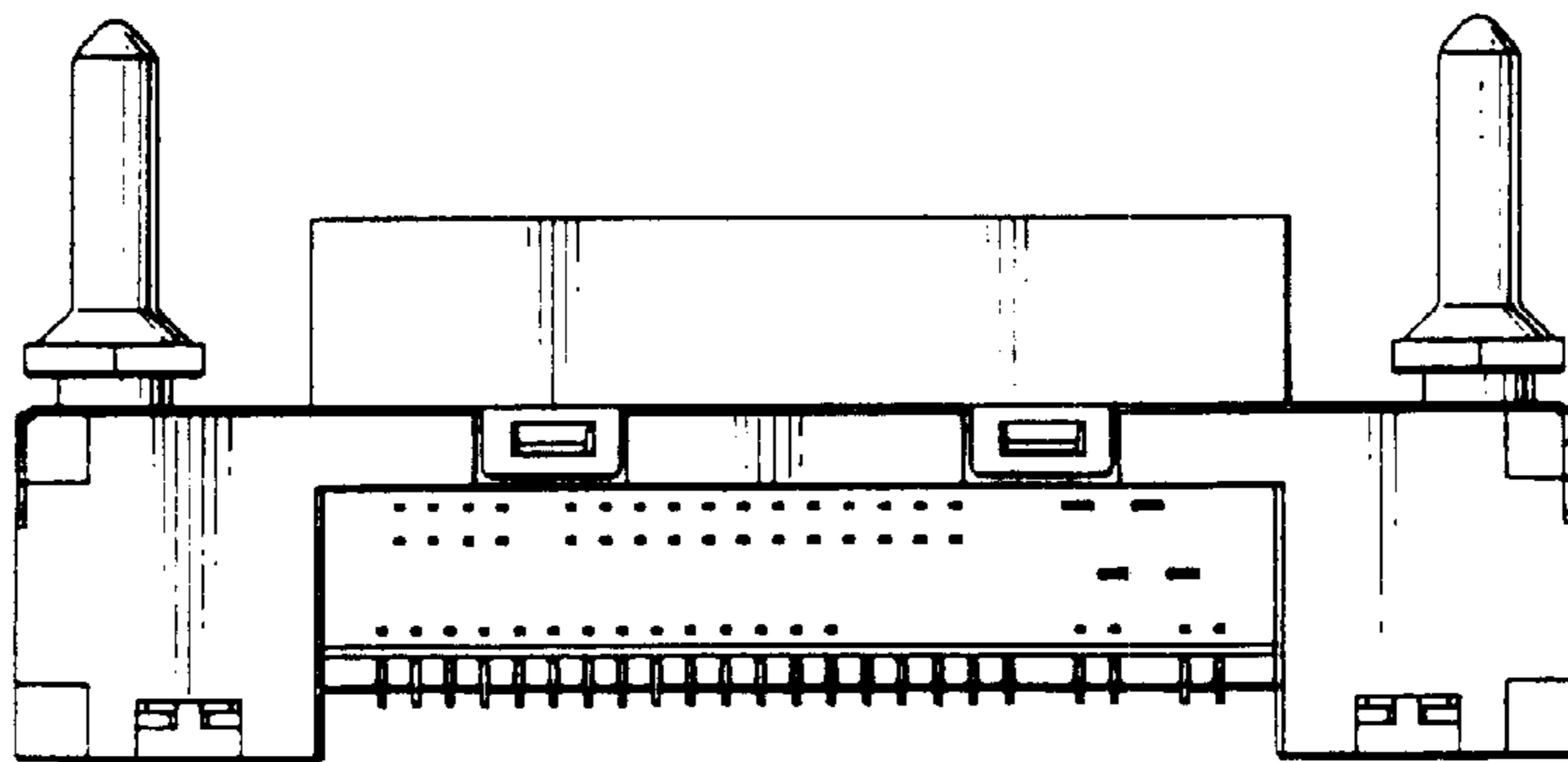


FIG. 6

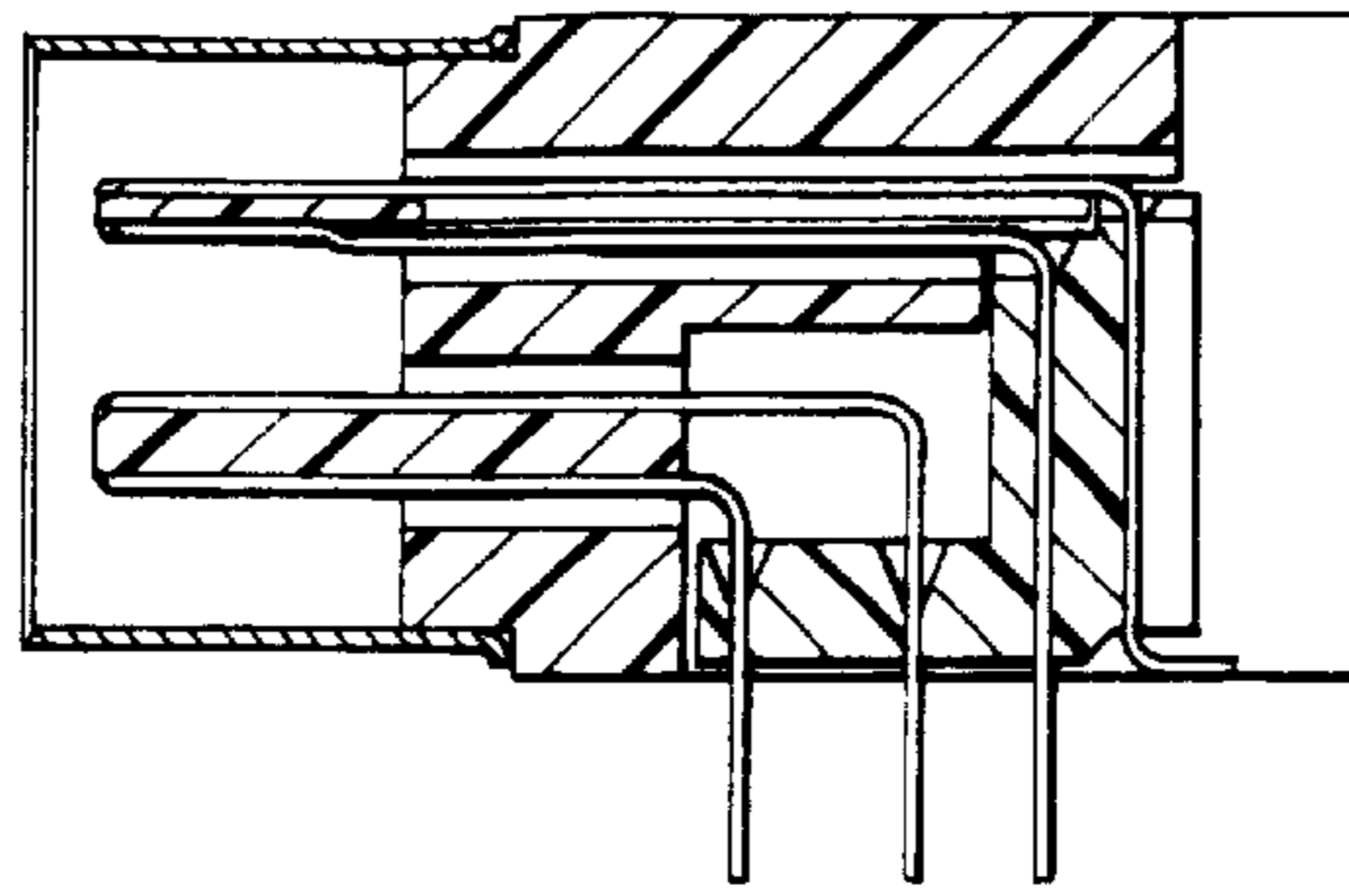


FIG. 7

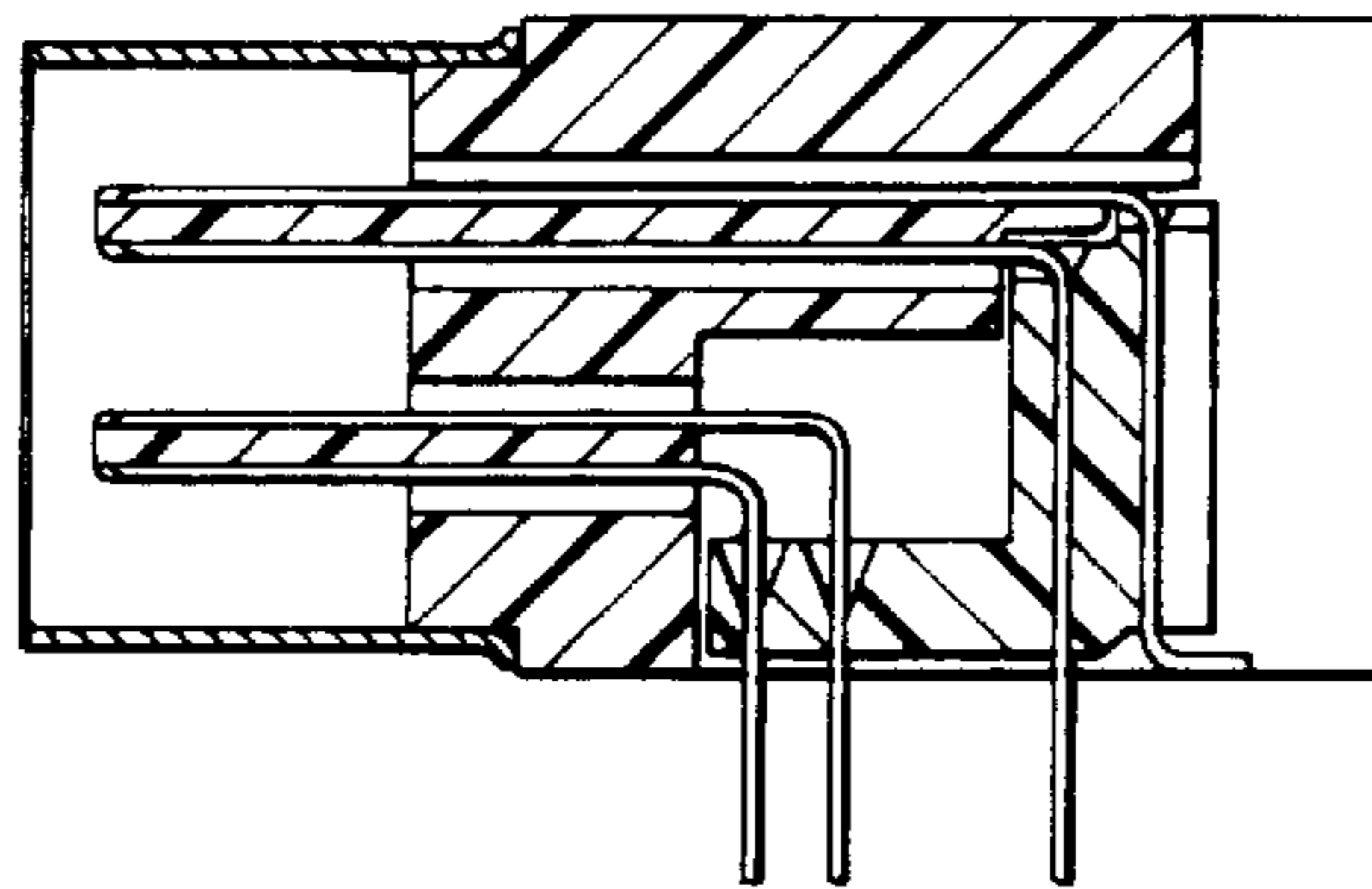


FIG. 8

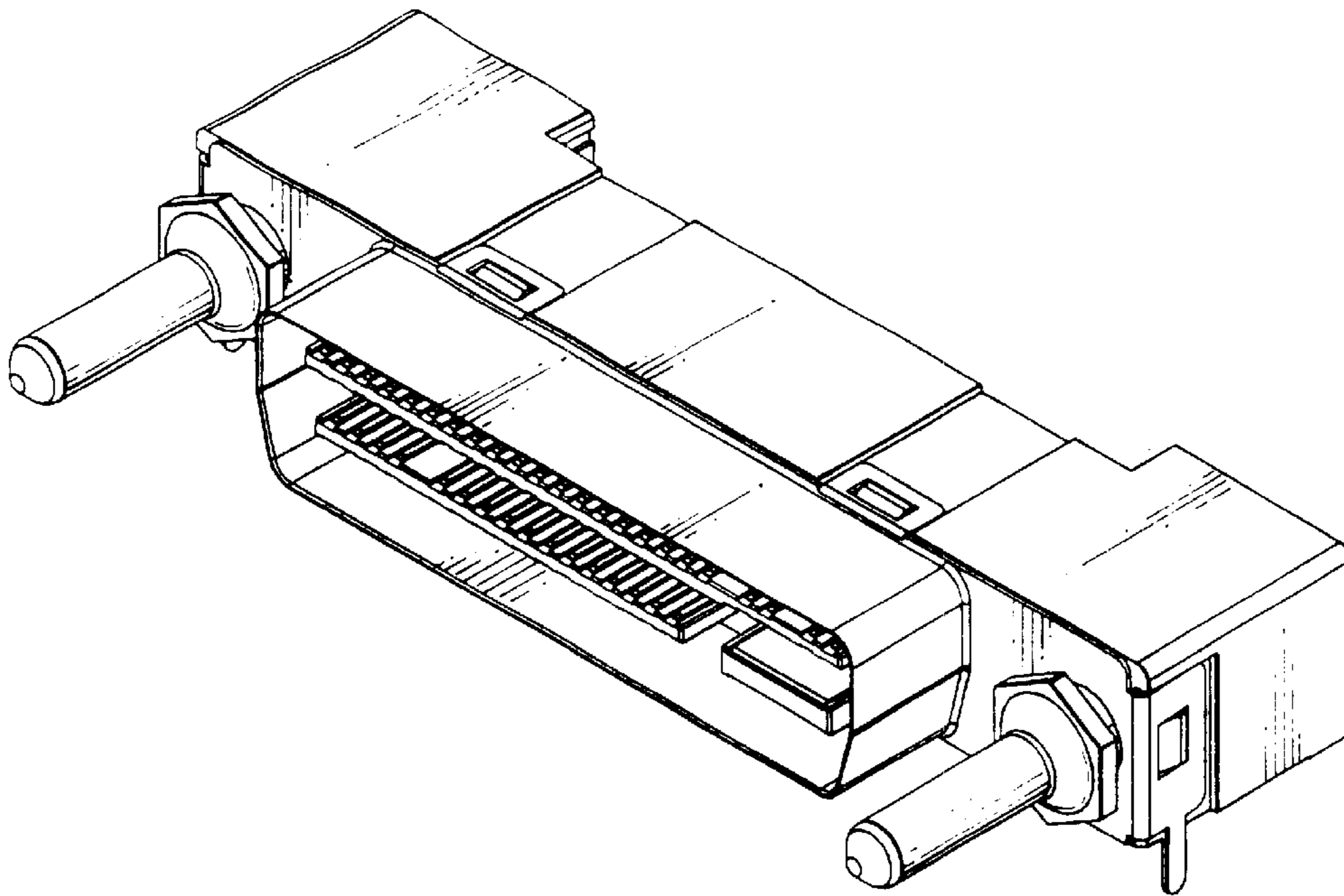


FIG. 9