



US00D453318S

(12) **United States Design Patent** (10) **Patent No.:** **US D453,318 S**
Moore (45) **Date of Patent:** **** Feb. 5, 2002**

(54) **AUTOMOBILE CONSOLE**

(75) Inventor: **John A. Moore**, Salem, OR (US)
(73) Assignee: **Auto Additions, Inc.**, Brooks, OR (US)
(**) Term: **14 Years**

(21) Appl. No.: **29/125,854**
(22) Filed: **Jun. 30, 2000**

(51) **LOC (7) Cl.** **12-16**
(52) **U.S. Cl.** **D12/415**
(58) **Field of Search** D12/192, 415-426.1;
296/37.1-37.8, 70, 190-191; 180/90, 43-46;
280/750-752; D13/162, 184, 199; D14/496;
248/917, 352; 297/411.2-411.26

(56) **References Cited**

U.S. PATENT DOCUMENTS

D218,438 S	*	8/1970	Shook	D12/415
D279,329 S	*	6/1985	Dzak	D12/415
D363,916 S	*	11/1995	Johnson	D12/415
D425,475 S	*	5/2000	Herer	D12/424
D429,209 S	*	8/2000	Inchaurregui	D12/415
D429,684 S	*	8/2000	Johnson	D12/415
D434,365 S	*	11/2000	Herer et al.	D12/415
D437,299 S	*	2/2001	Johnson	D12/415 X
D438,841 S	*	3/2001	Smith	D12/424
D443,246 S	*	6/2001	Smith	D12/415
D443,855 S	*	6/2001	Herer et al.	D12/415
D447,998 S	*	9/2001	Pfeiffer et al.	D12/415

OTHER PUBLICATIONS

Consolidator Consoles & Computer Mounts brochure, Havis Shields Equipment Corporation, Aug. 1996.
1998 Solutions Manual, Gamber-Johnson, pp. 4-17, 19-24, 38, 40, 46-48, 50-53, 55, 67, 69 and 71, 1998.
The Mounting Guide 3rd Edition brochure, Stewart Products, Inc., 1998-1999.

* cited by examiner

Primary Examiner—Stacia Cadmus

(74) *Attorney, Agent, or Firm*—Kolisch Hartwell Dickinson, McCormack & Heuser

(57) **CLAIM**

The ornamental design for automobile console, as shown and described.

DESCRIPTION

FIG. 1 is a perspective view of a vehicle console of the present invention, shown in its position of use;
FIG. 2 is a side perspective view of FIG. 1;
FIG. 3 is a top plan view of FIG. 1;
FIG. 4 is a side elevation view of the right side of FIG. 1;
FIG. 5 is a side elevation view of the left side of FIG. 1;
FIG. 6 is a front elevation view of FIG. 1;
FIG. 7 is a bottom plan view of FIG. 1; and,
FIG. 8 is a rear elevation view of FIG. 1.
The broken line showing of environment is for illustrative purposes only and forms no part of the claimed design.

1 Claim, 2 Drawing Sheets

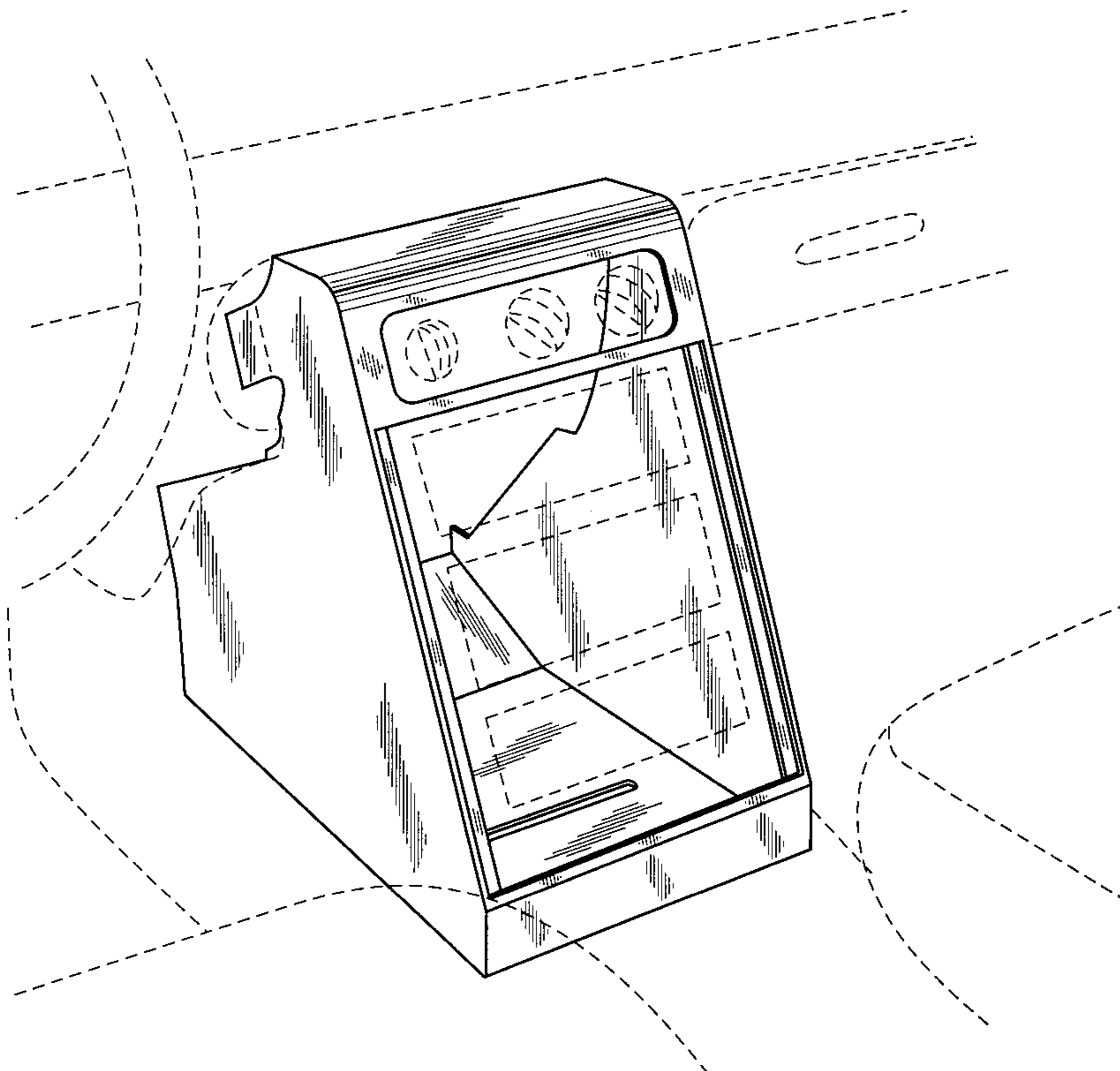


FIG. 1

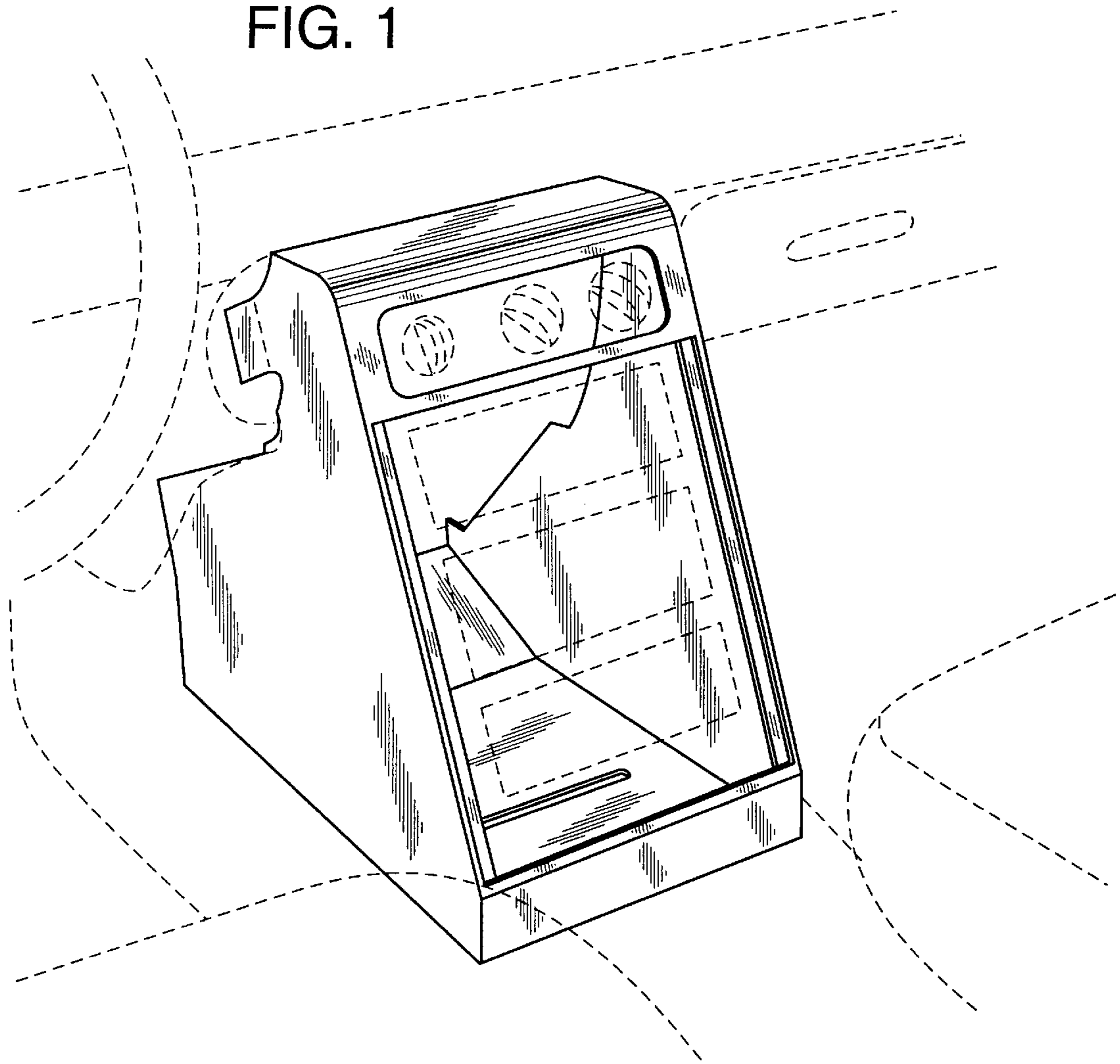


FIG. 2

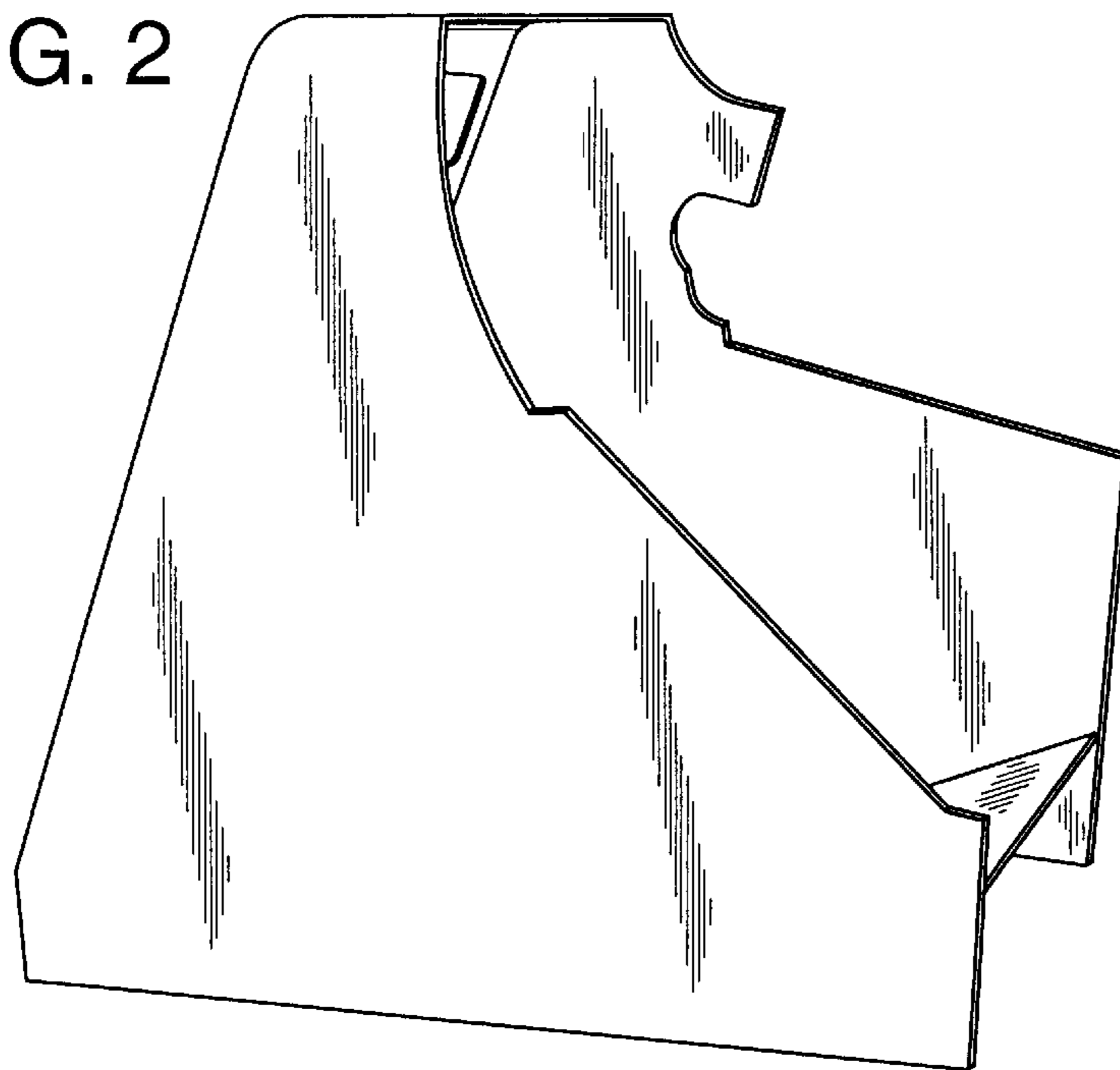


FIG. 3

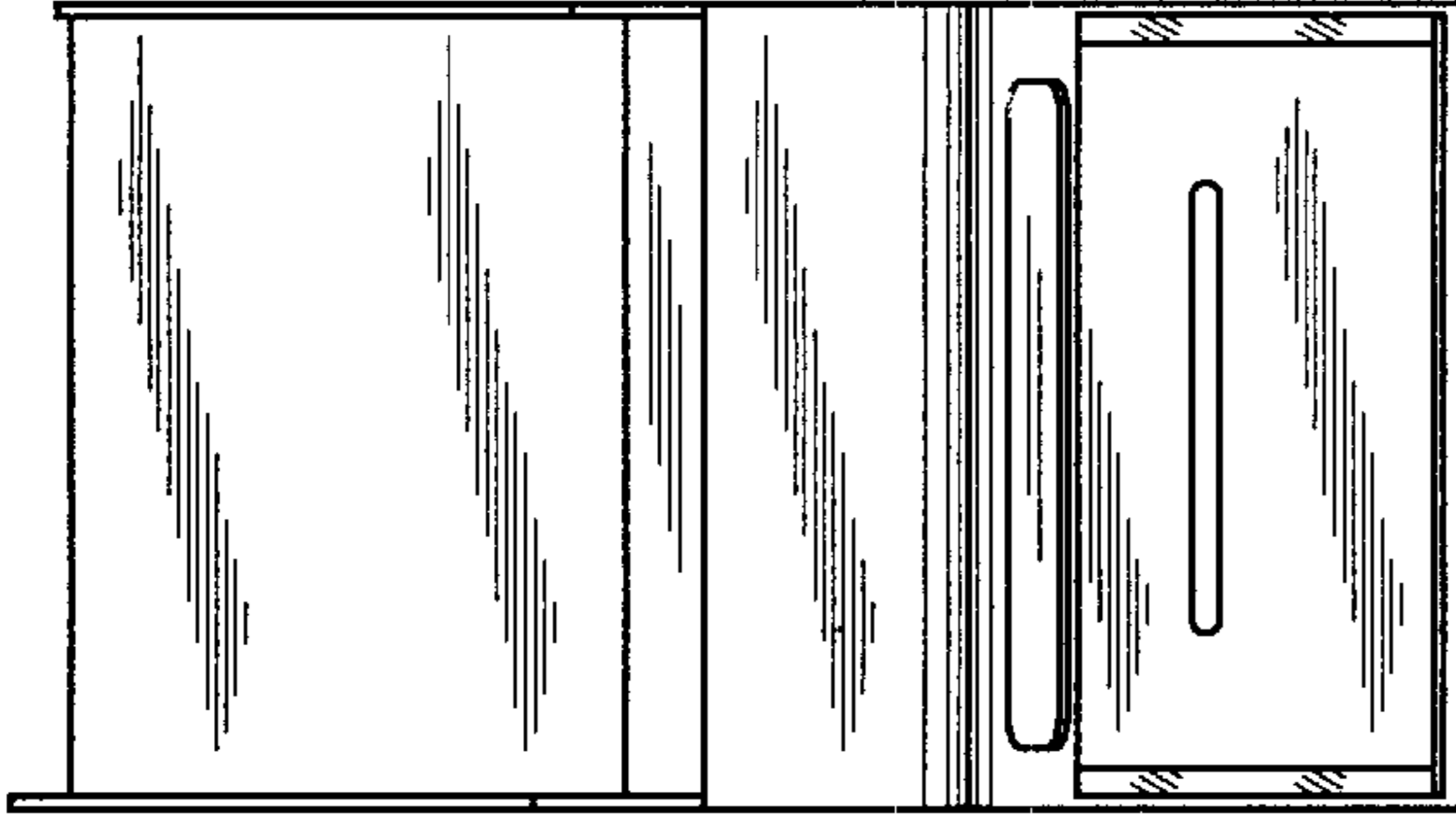


FIG. 4

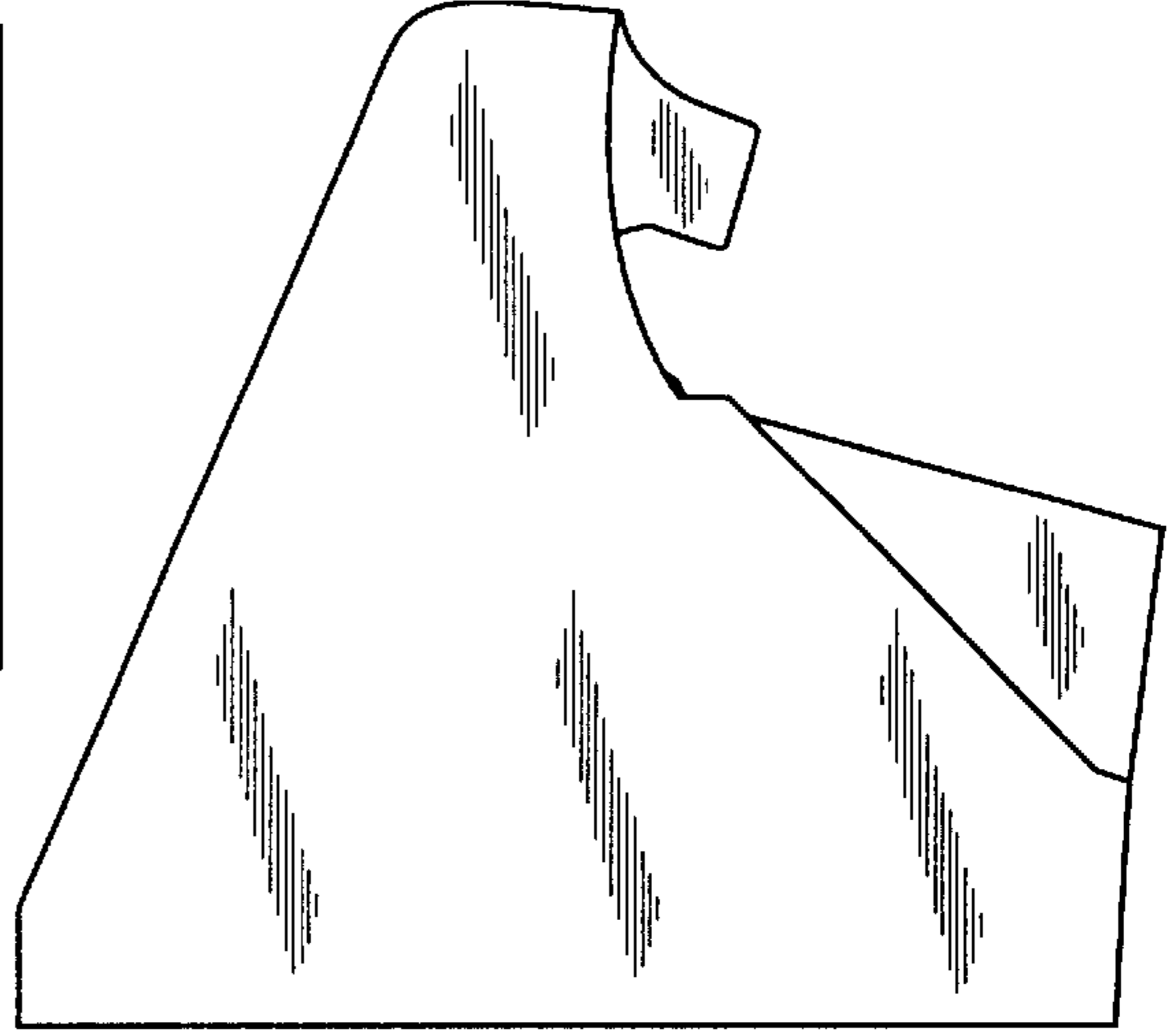


FIG. 5

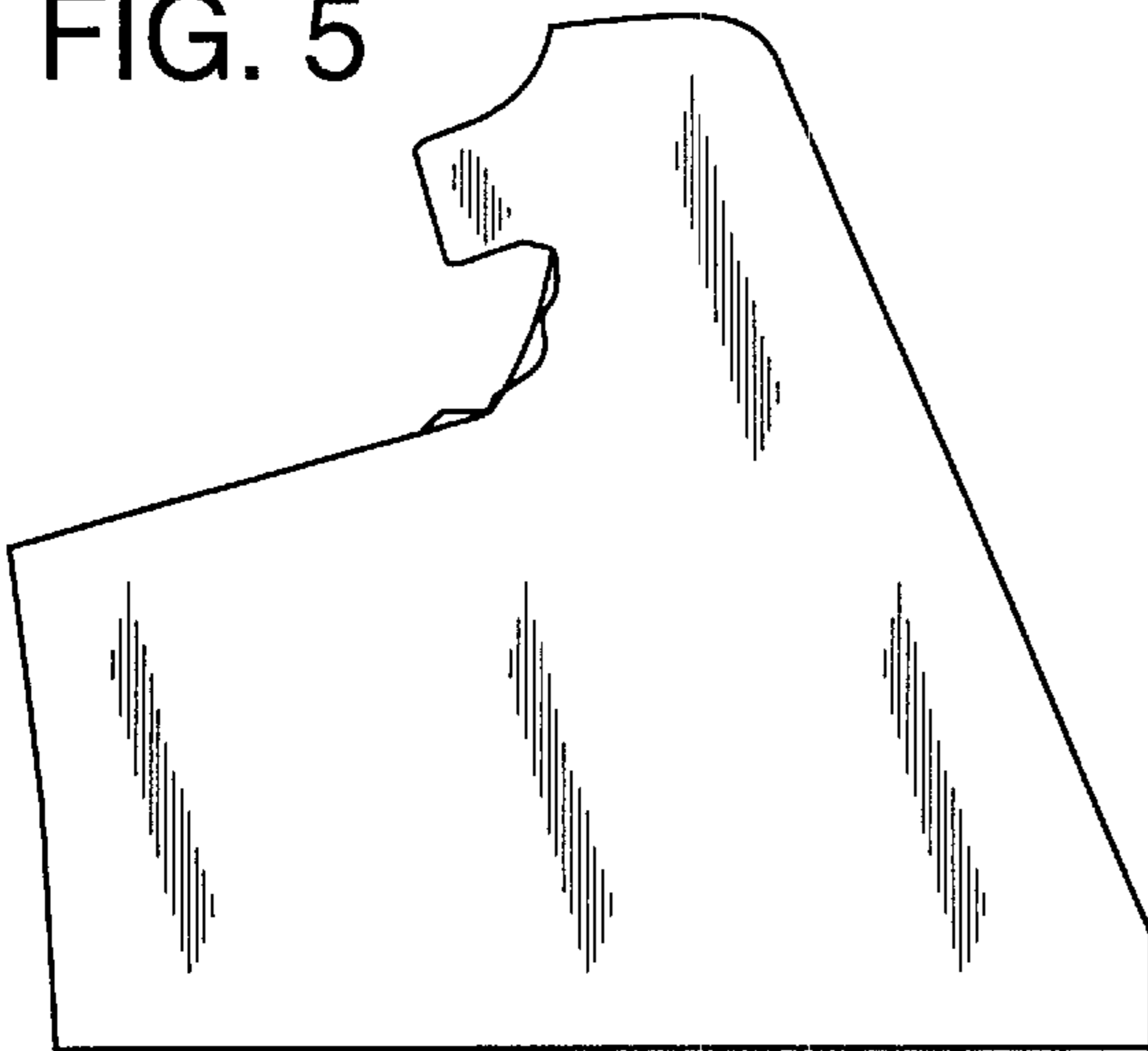


FIG. 6

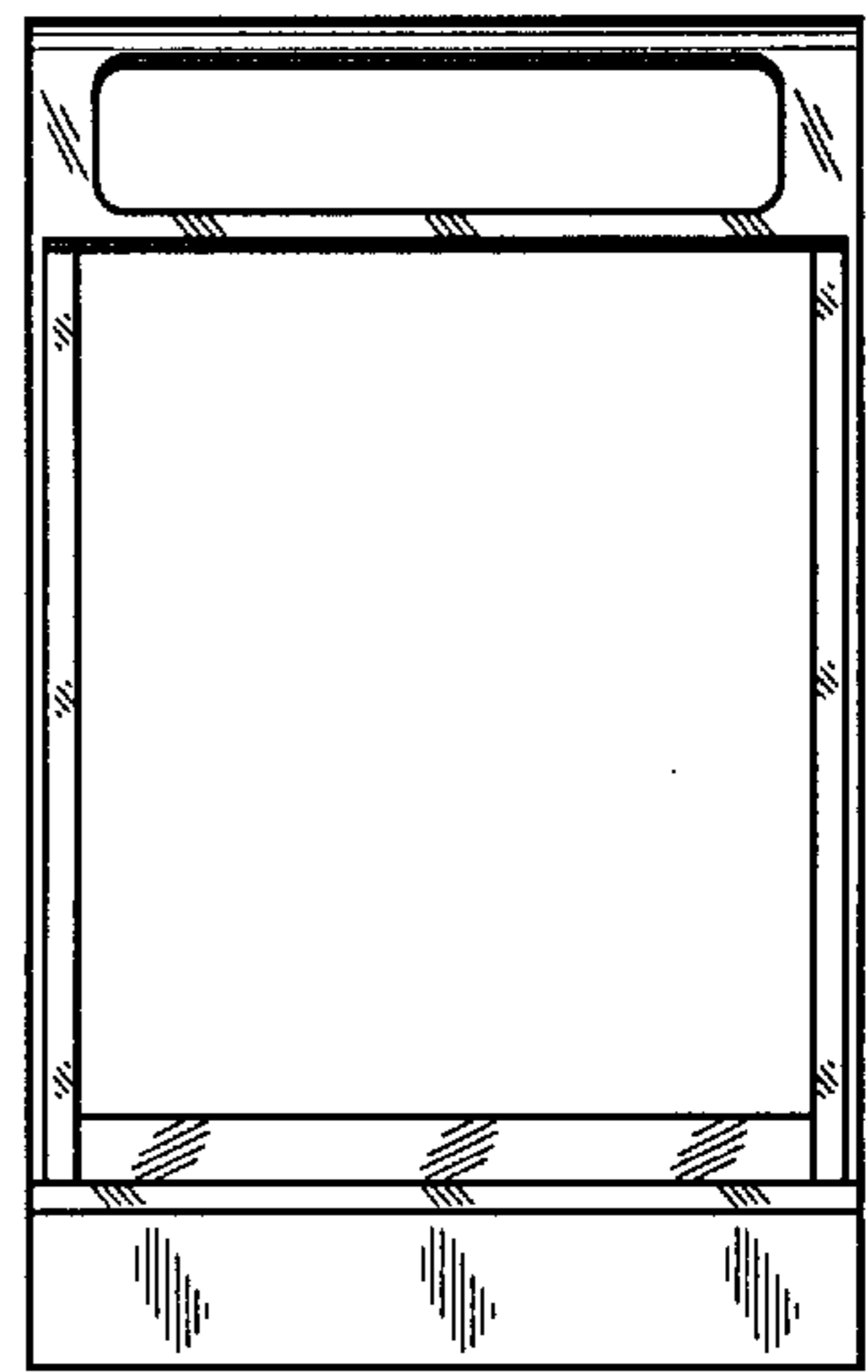


FIG. 7

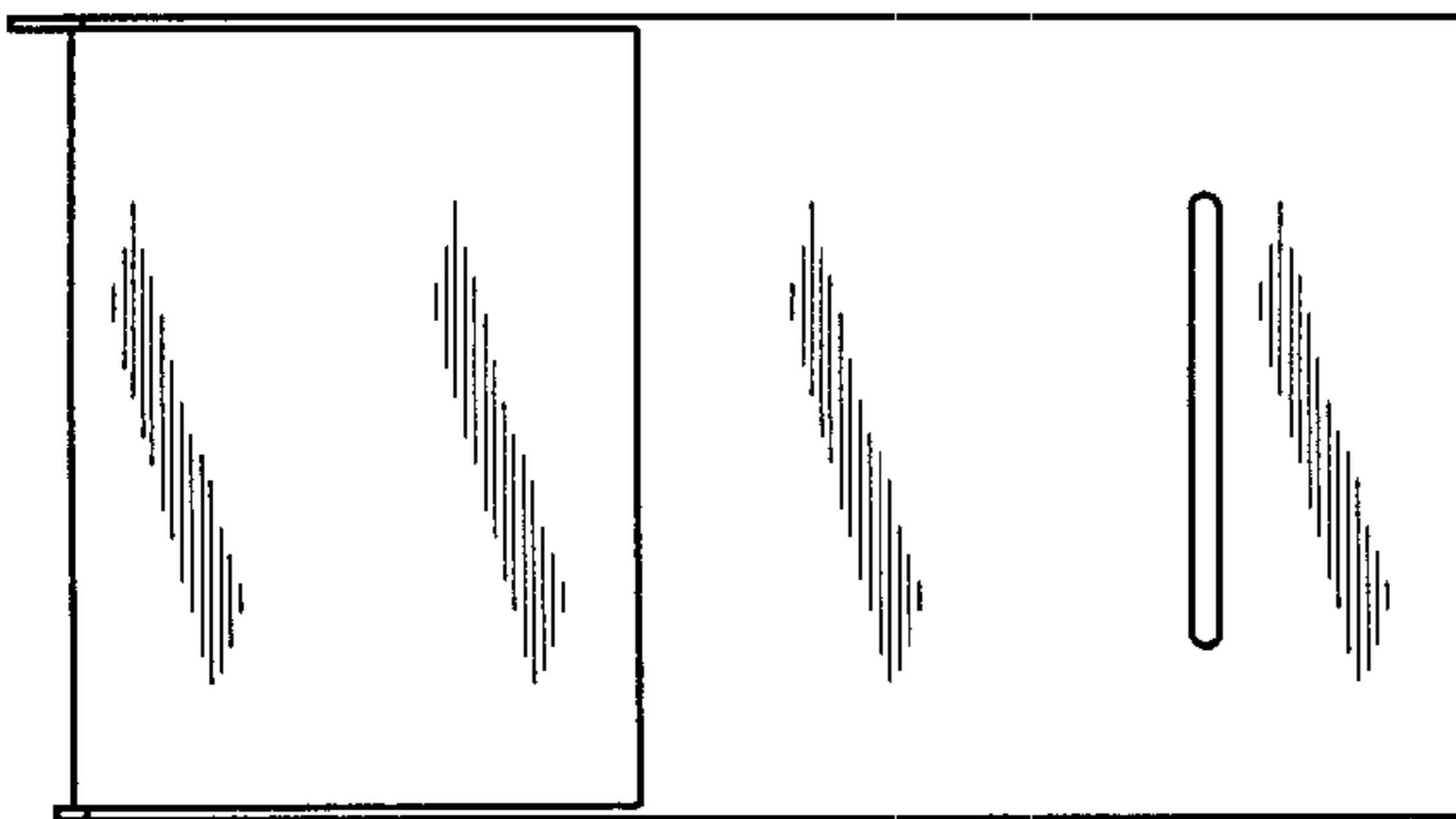


FIG. 8

