



US00D453316S

(12) **United States Design Patent**  
**Watanabe**

(10) **Patent No.:** **US D453,316 S**

(45) **Date of Patent:** **\*\* Feb. 5, 2002**

- (54) **WIPER BLADE FOR VEHICLE**
- (75) Inventor: **Hitoshi Watanabe**, Tokyo (JP)
- (73) Assignee: **Kabushiki Kaisha Carmate**, Tokyo (JP)
- (\*\*) Term: **14 Years**
- (21) Appl. No.: **29/146,198**
- (22) Filed: **Aug. 7, 2001**
- (30) **Foreign Application Priority Data**  
Feb. 8, 2001 (JP) ..... 2001-006634
- (51) **LOC (7) Cl.** ..... **12-06**
- (52) **U.S. Cl.** ..... **D12/219**
- (58) **Field of Search** ..... D12/219-220;  
15/250.01, 250.04, 250.07, 250.22, 250.32,  
250.41, 250.46, 250.201, 250.351, 250.361,  
250.451, 250.452, 250.453, 250.454

(56) **References Cited**

**U.S. PATENT DOCUMENTS**

- D330,691 S \* 11/1992 Leu ..... D12/219
- D354,473 S \* 1/1995 Lee ..... D12/219
- D376,575 S \* 12/1996 Chen ..... D12/219
- D379,613 S \* 6/1997 Chen ..... D12/219
- D380,434 S \* 7/1997 Chen ..... D12/219

- D380,435 S \* 7/1997 Chen ..... D12/219
- D418,103 S \* 12/1999 Don ..... D12/219
- D419,950 S \* 2/2000 Spector ..... D12/219
- D427,134 S \* 6/2000 Lee ..... D12/219
- D434,715 S \* 12/2000 Wang ..... D12/219

**FOREIGN PATENT DOCUMENTS**

JP 274897 4/1994

\* cited by examiner

*Primary Examiner*—Stacia Cadmus

(74) *Attorney, Agent, or Firm*—Sughrue Mion, PLLC

(57) **CLAIM**

The ornamental design for a wiper blade for vehicle, as shown and described.

**DESCRIPTION**

FIG. 1 is a perspective view of the top, one side and one end of a wiper blade for vehicle showing my new design;  
 FIG. 2 is a top plan view thereof;  
 FIG. 3 is a side elevational view of said one side thereof;  
 FIG. 4 is a bottom plan view thereof;  
 FIG. 5 is an end elevational view of an opposite end thereof;  
 FIG. 6 is an end elevational view of said one end thereof;  
 and,  
 FIG. 7 is a side elevational view of an opposite side thereof.

**1 Claim, 3 Drawing Sheets**

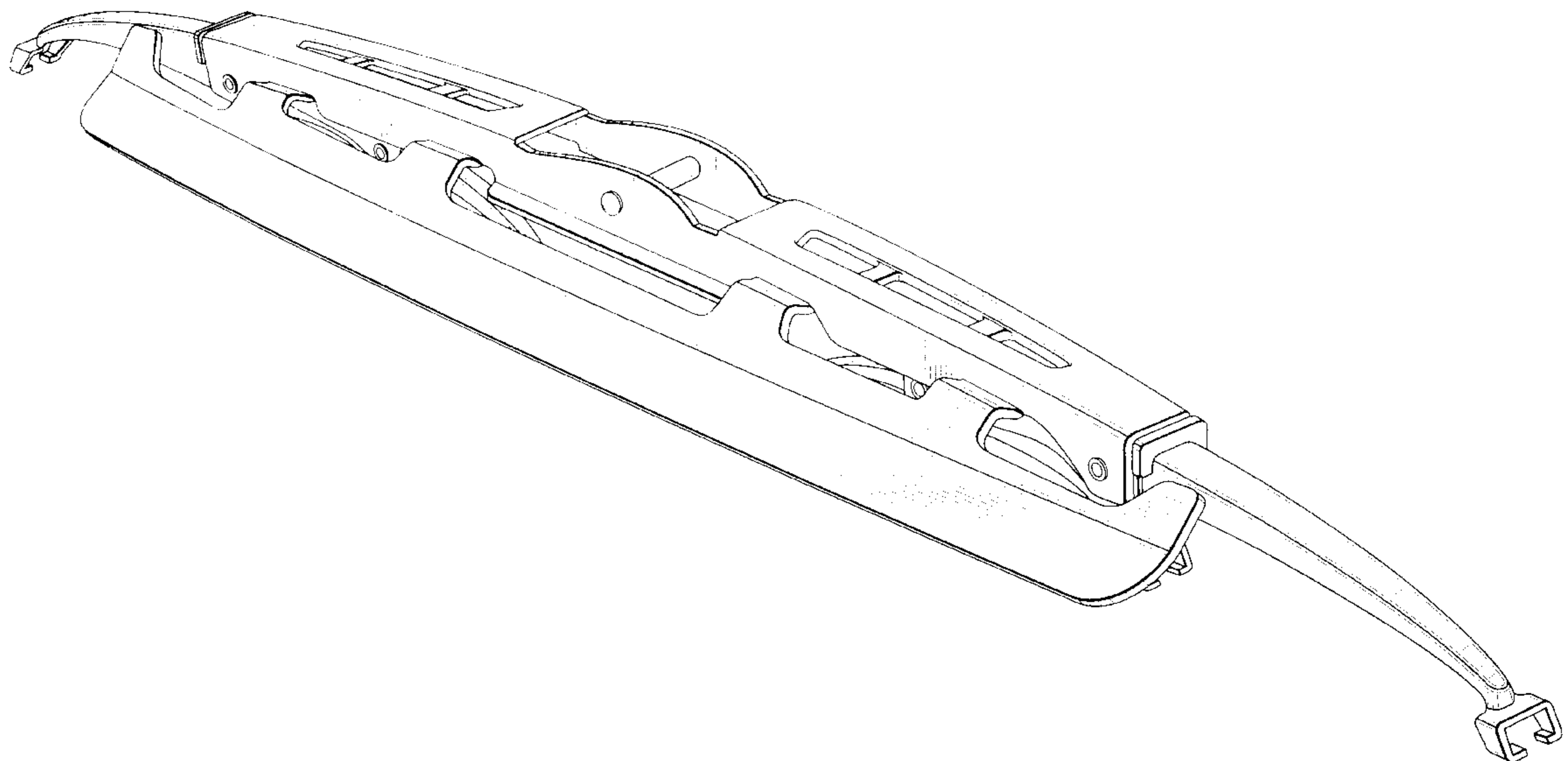


FIG. 1

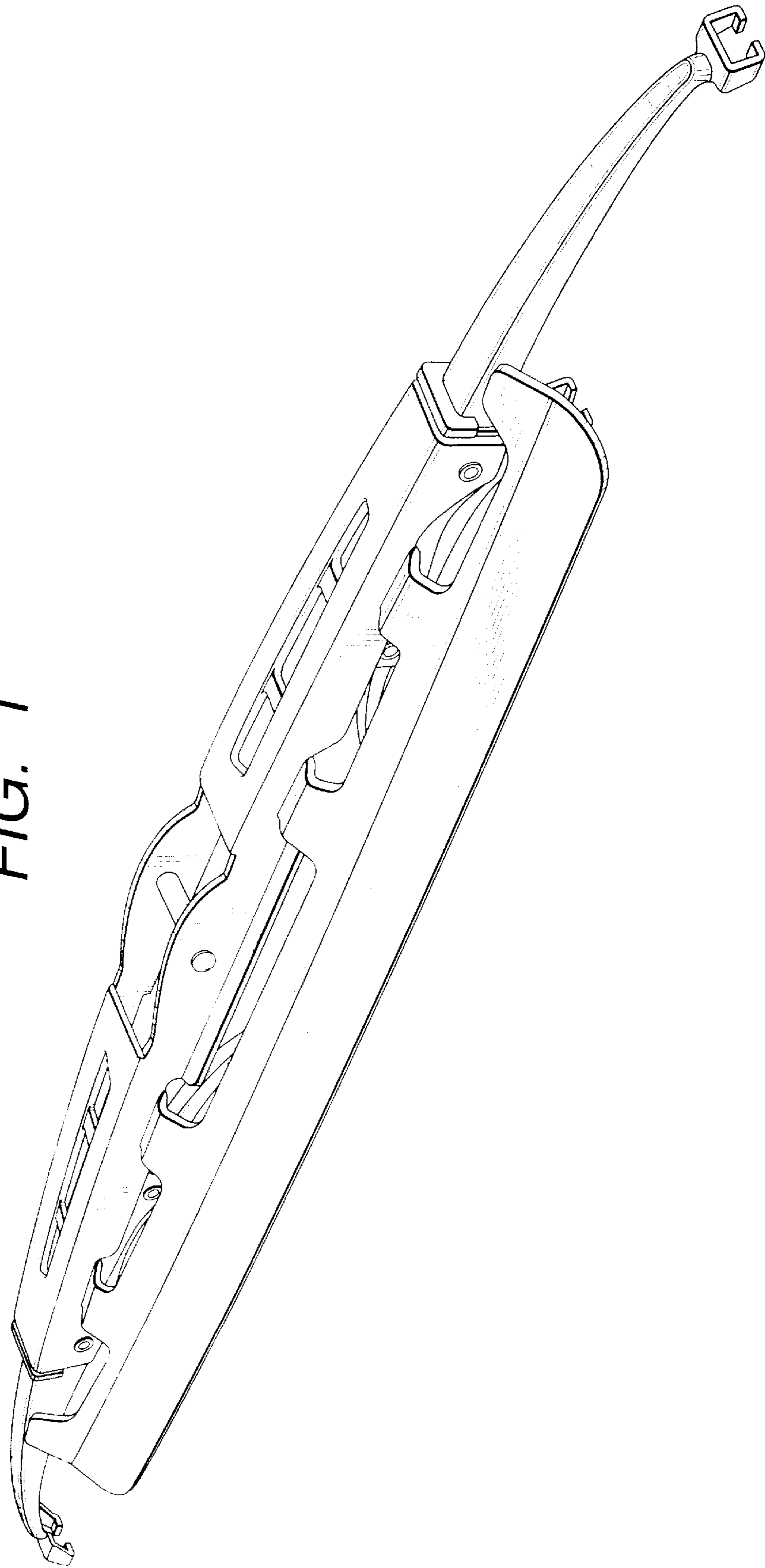


FIG. 2

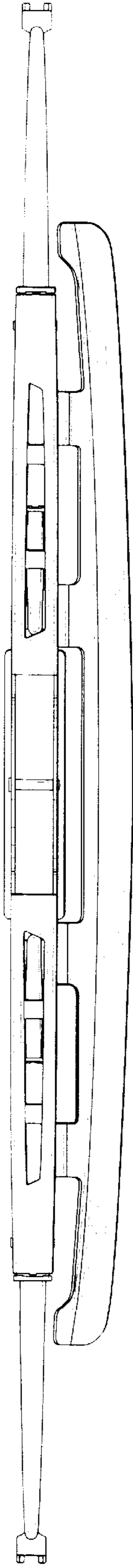


FIG. 3

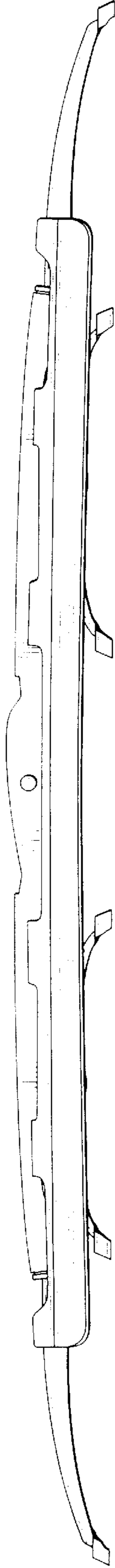


FIG. 4

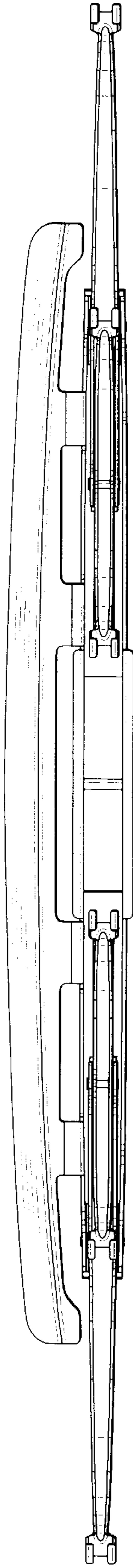


FIG. 5

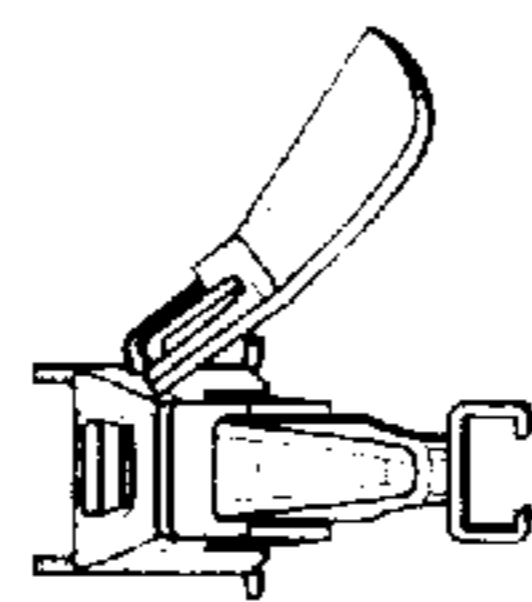


FIG. 6

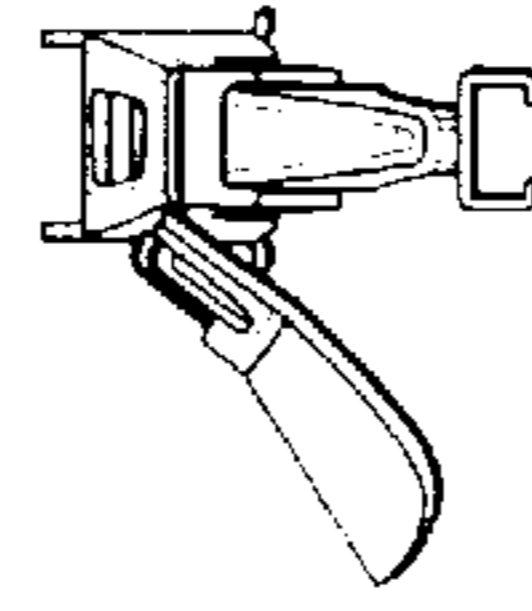


FIG. 7

