



US00D453309S

(12) **United States Design Patent**
Katz et al.

(10) **Patent No.:** **US D453,309 S**

(45) **Date of Patent:** **** Feb. 5, 2002**

(54) **SEEDLING POT CARRIER TRAY**

D401,530 S * 11/1998 Keskilohko D11/155

(75) Inventors: **Wendy L. Katz; David T. Brodersen,**
both of Bonsall; **Michael L. Jedlick,**
Los Angeles, all of CA (US)

* cited by examiner

Primary Examiner—Doris V. Coles

Assistant Examiner—Mimosa De

(73) Assignee: **GreenLeaf Nursery, LLC.,** Bonsall,
CA (US)

(74) *Attorney, Agent, or Firm*—Loyal McKinley Hanson

(**) Term: **14 Years**

(57) **CLAIM**

We claim the ornamental design for a seedling pot carrier tray, as shown.

(21) Appl. No.: **29/142,108**

DESCRIPTION

(22) Filed: **May 18, 2001**

(51) **LOC (7) Cl.** **11-02**

(52) **U.S. Cl.** **D11/155**

(58) **Field of Search** D11/143, 144,
D11/145, 147, 155–156, 164; D7/554.1,
555; 47/33, 41.01, 41.1, 65.5, 69, 73, 75,
77, 85, 86; 206/423, 558, 564; 220/23.6,
23.8; 248/27.8

FIG. 1 of the drawings is an isometric view showing the front, top, and right side of a seedling pot carrier tray embodying the design of my invention, with six pot-holding openings;

FIG. 2 is a back view of the seedling pot carrier tray;

FIG. 3 is a side view of the left side;

FIG. 4 is a bottom view;

FIG. 5 is a smaller isometric view showing the seedling pot carrier tray in conjunction with its usual operative environment, holding six seedling pots illustrated in phantom lines that are not part of our design;

FIG. 6 is an isometric view of a second embodiment or our design having four pot-holding openings instead of six, showing the front, top, and right side of the second embodiment;

FIG. 7 is a side view of the left side of the second embodiment;

FIG. 8 is a back view of the second embodiment; and,

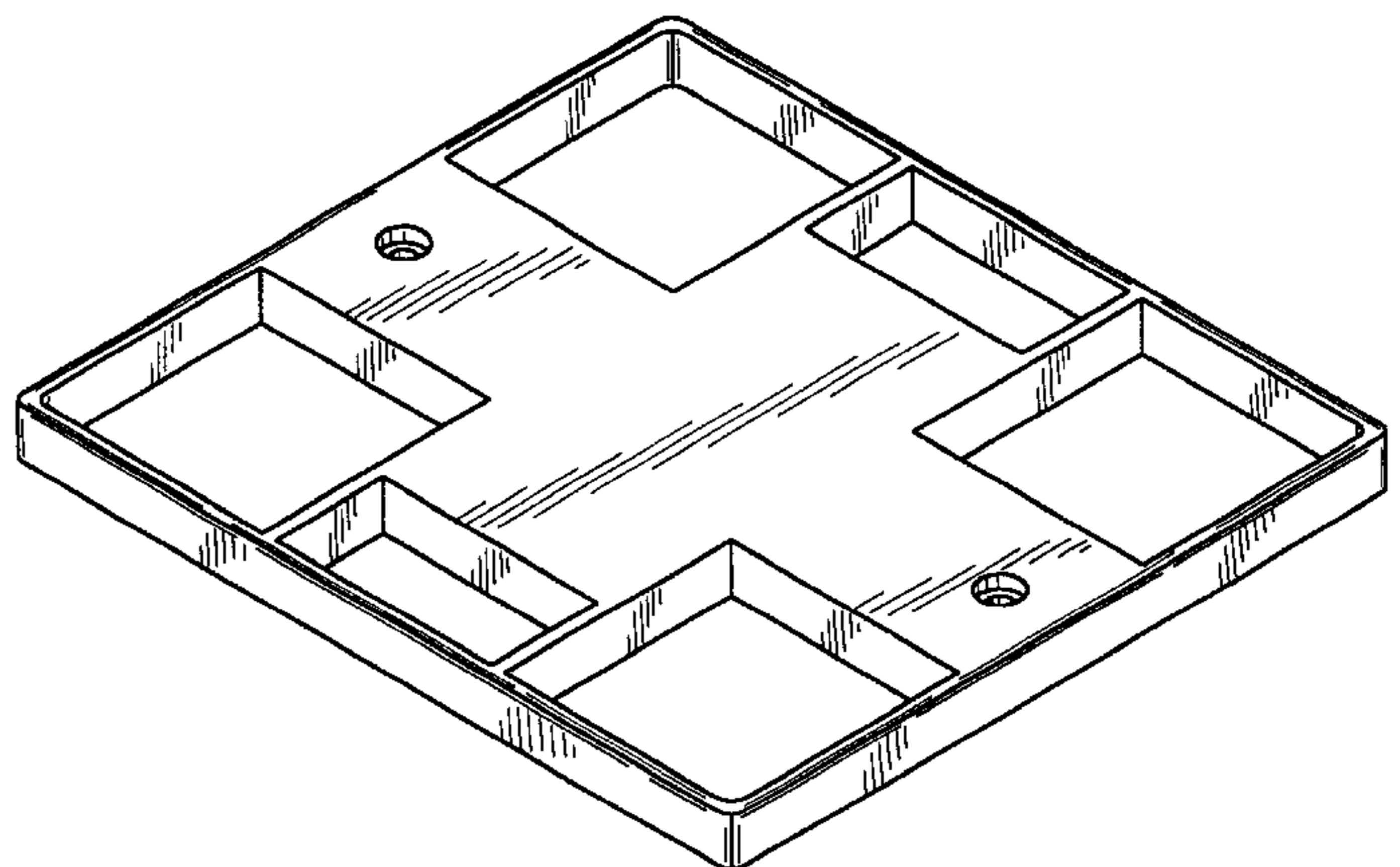
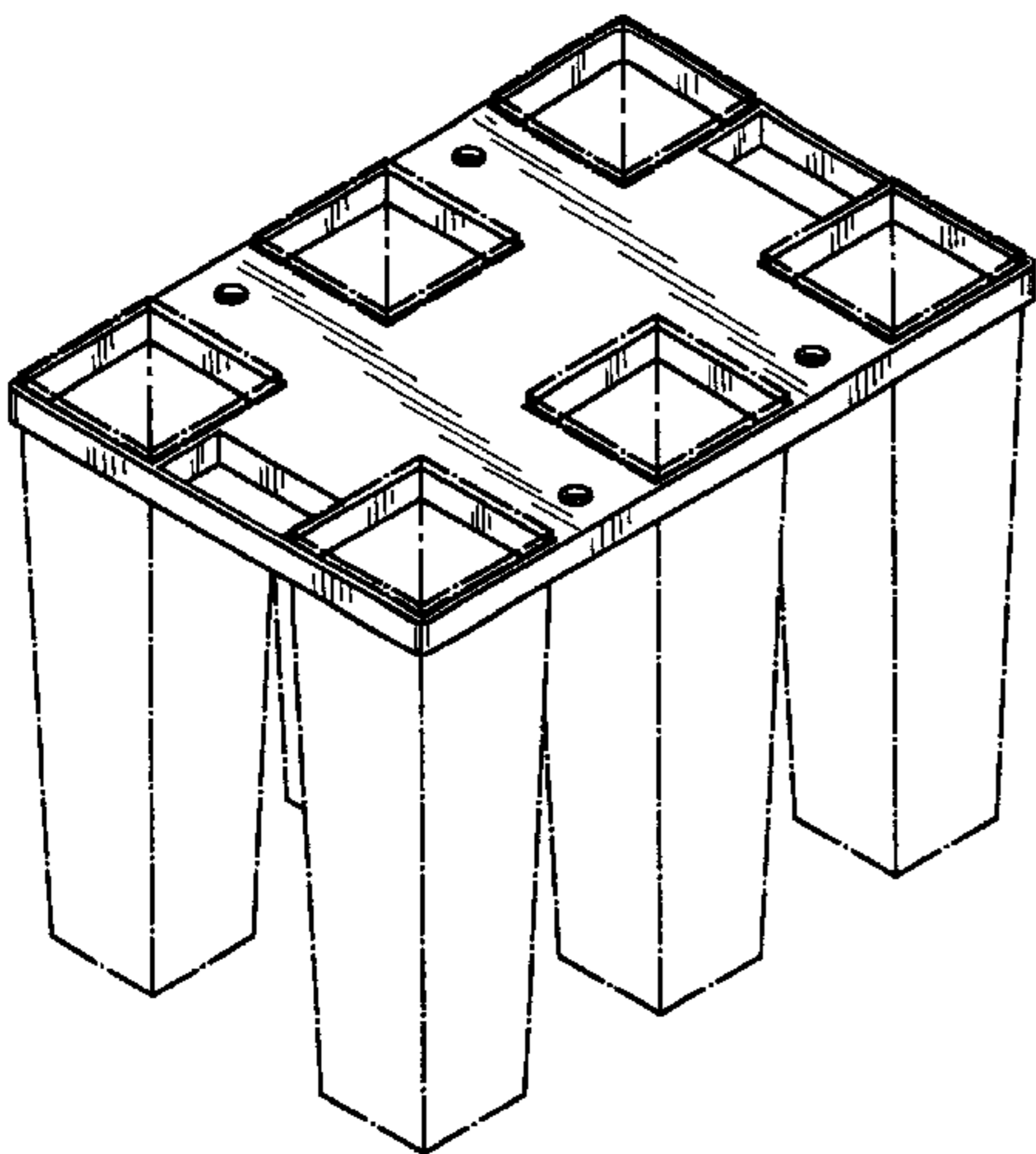
FIG. 9 is a bottom view of the second embodiment.

(56) **References Cited**

U.S. PATENT DOCUMENTS

736,252 A	*	8/1903	Hering	47/73
2,501,379 A	*	3/1950	Cranston	206/558
3,640,379 A	*	2/1972	Weingarden	206/558
3,667,647 A	*	6/1972	Van Daalen	220/23.6
D272,726 S	*	2/1984	Kaneko	D11/155
4,769,946 A	*	9/1988	De Groot et al.	47/73
D298,924 S	*	12/1988	Saarinen	D11/155
4,834,262 A	*	5/1989	Reed	220/23.6
5,547,082 A	*	8/1996	Royer et al.	206/564
D381,933 S	*	8/1997	Van Wingerden	D11/155

1 Claim, 4 Drawing Sheets



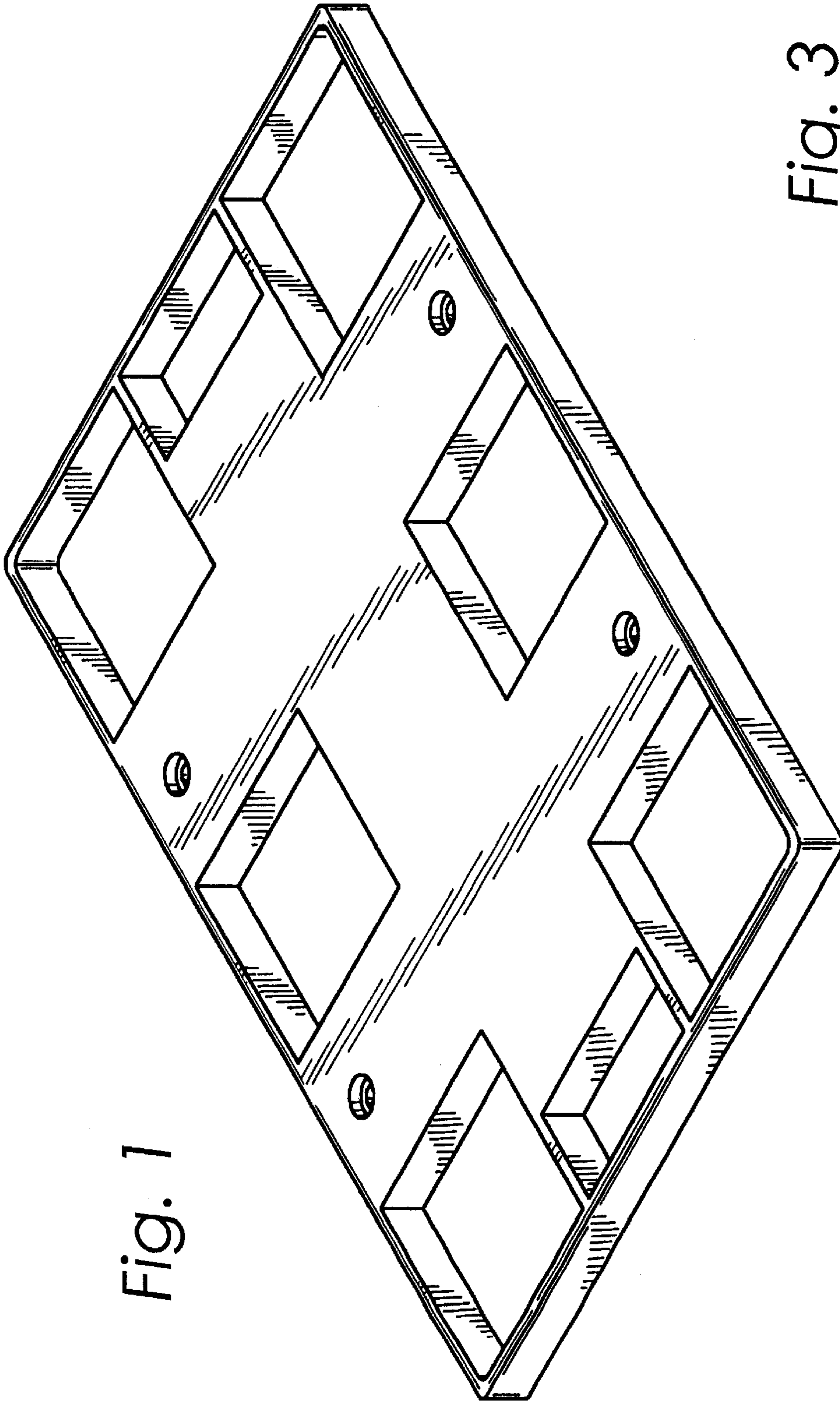


Fig. 1

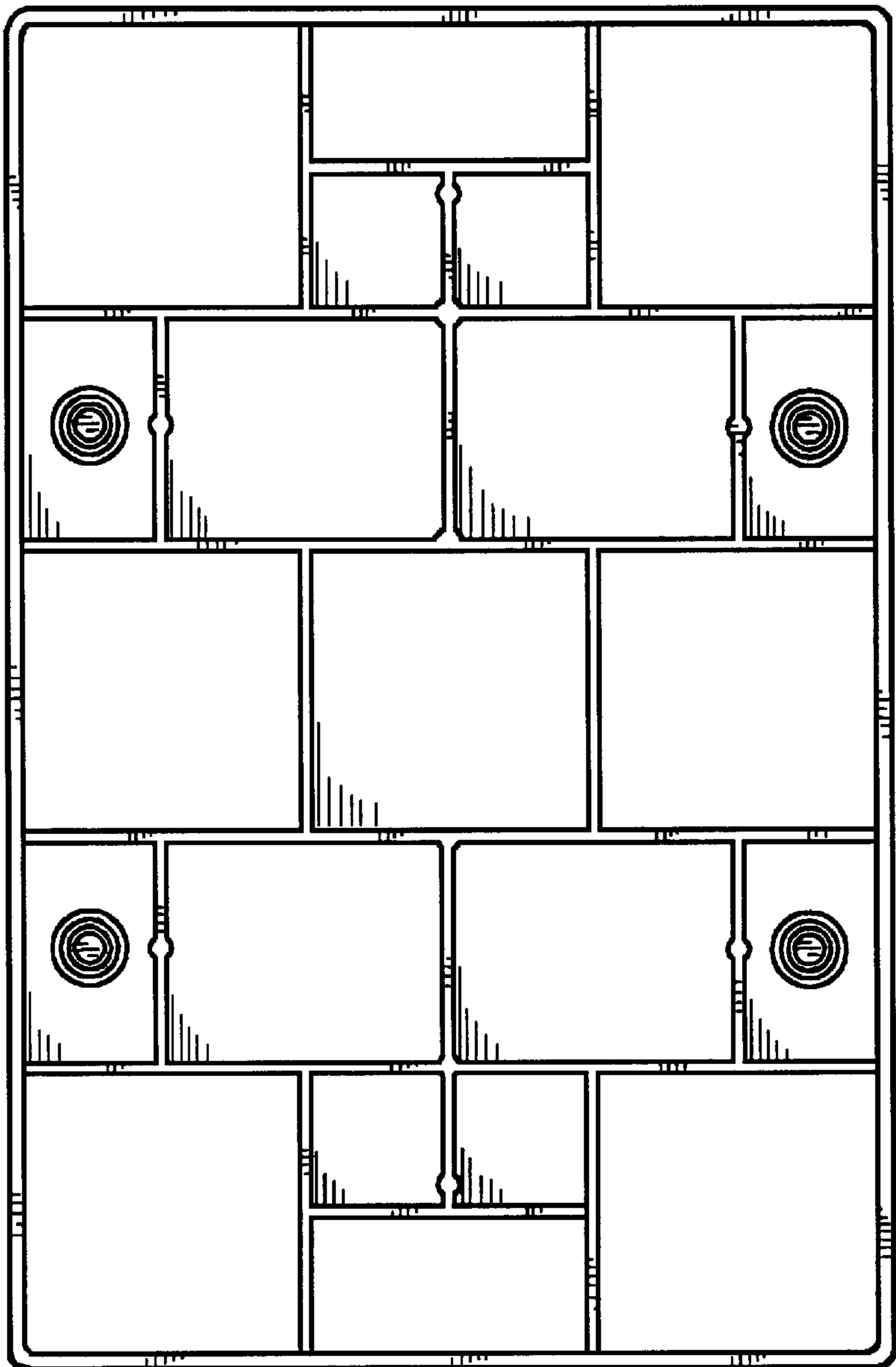
Fig. 3



Fig. 2



Fig. 4



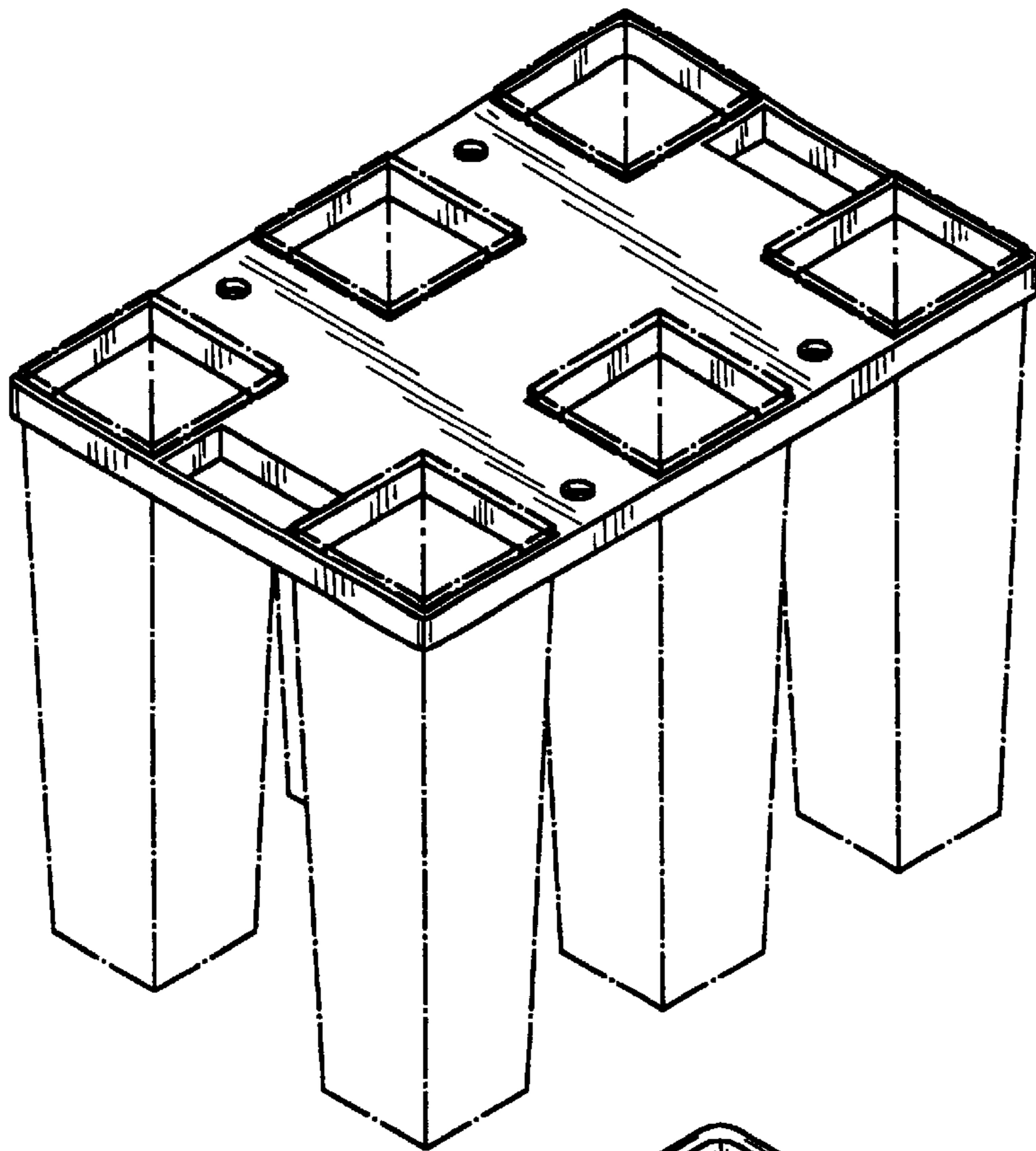


Fig. 5

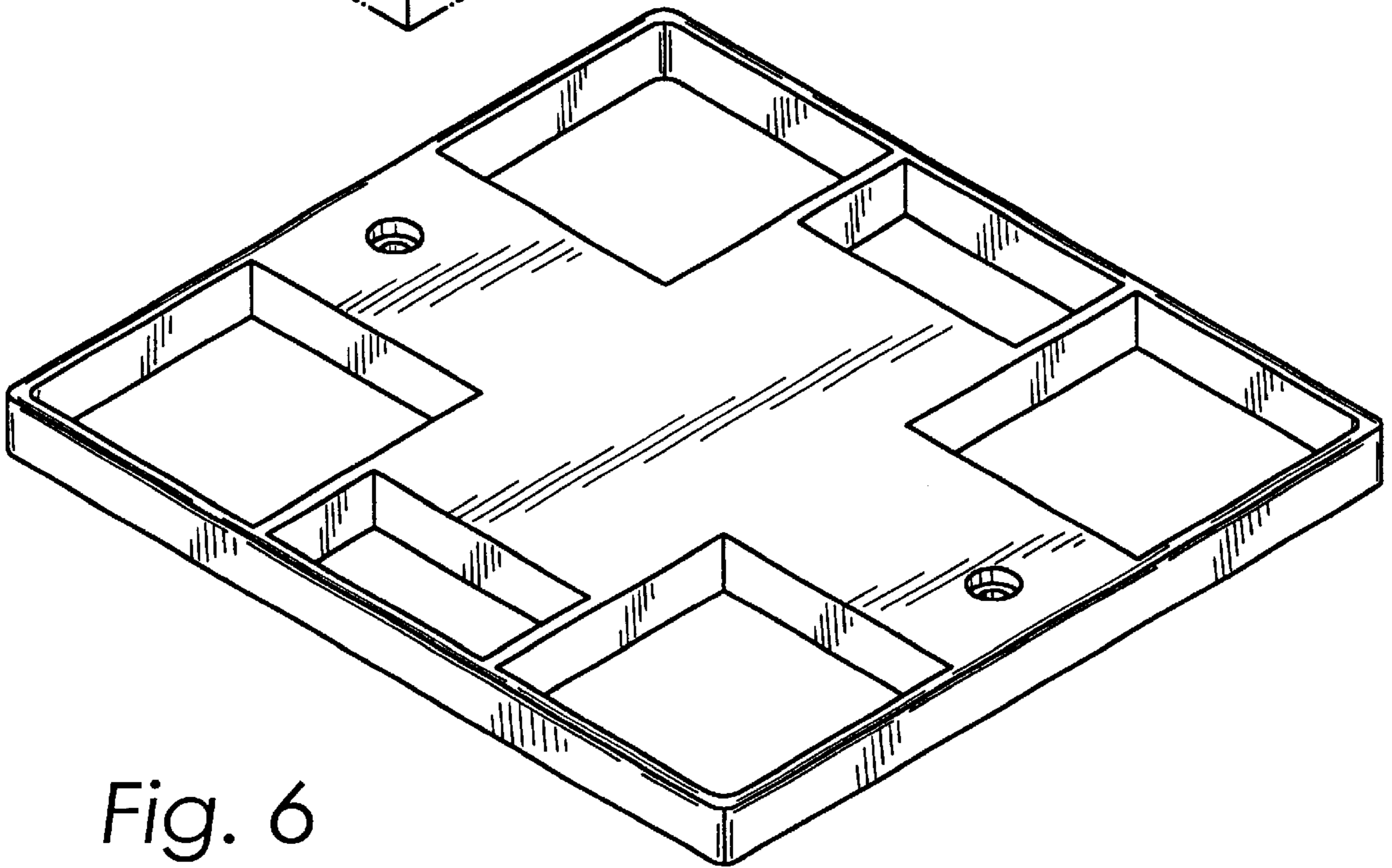


Fig. 6

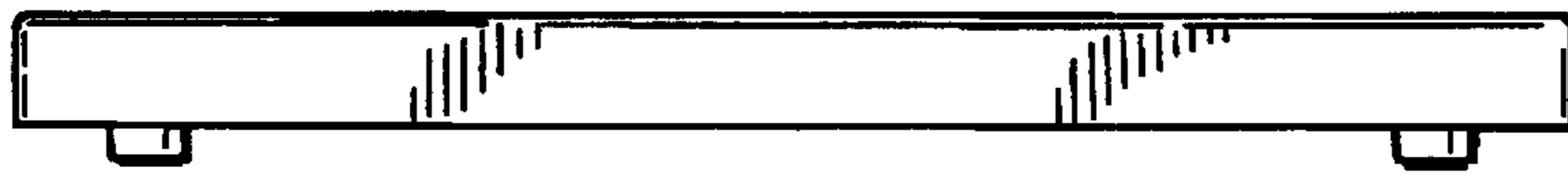


Fig. 7



Fig. 8

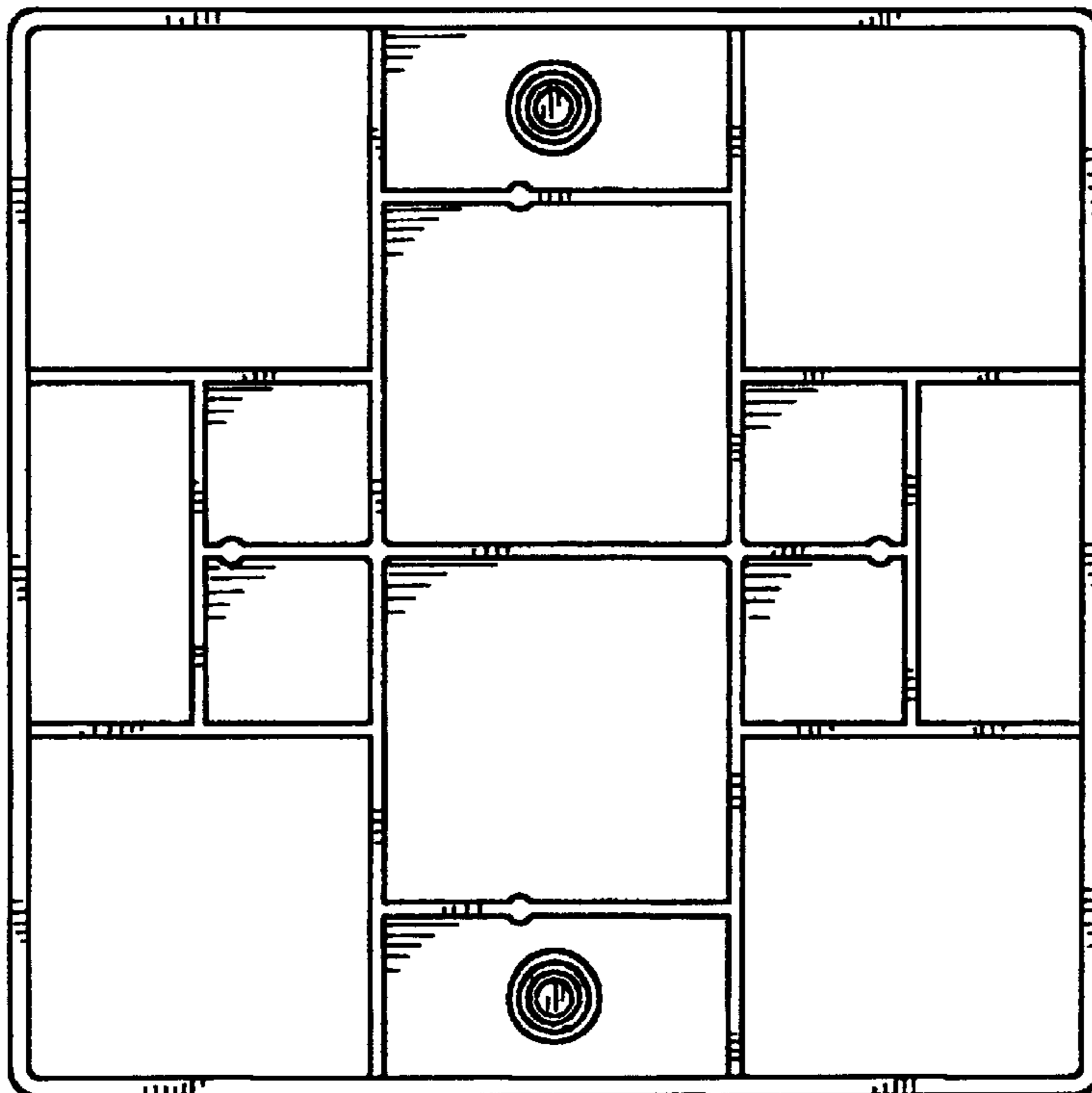


Fig. 9