



US00D453303S

(12) **United States Design Patent**
Lin

(10) **Patent No.:** **US D453,303 S**

(45) **Date of Patent:** **** Feb. 5, 2002**

(54) **END HOOK OF MEASURING TAPE**

(76) **Inventor:** **Ping-Lin Lin**, No.826, Sec.2,
Chung-Shan Rd., Tai-Shan Hsiang,
Taipei Hsien (TW)

(**) **Term:** **14 Years**

(21) **Appl. No.:** **29/137,436**

(22) **Filed:** **Feb. 22, 2001**

(51) **LOC (7) Cl.** **10-04**

(52) **U.S. Cl.** **D10/74**

(58) **Field of Search** **D10/72, 74; 33/755-770**

(56) **References Cited**

U.S. PATENT DOCUMENTS

D409,104 S	*	5/1999	Yang	D10/74
D423,382 S	*	4/2000	Piotrkowski	D10/74
D447,069 S	*	8/2001	Budrow	D10/74

* cited by examiner

Primary Examiner—Antoine Duval Davis
(74) *Attorney, Agent, or Firm*—Birch, Stewart, Kolasch & Birch, LLP

(57) **CLAIM**

The ornamental design for a end hook of measuring tape, as shown and described.

DESCRIPTION

FIG. 1 is a perspective view of a end hook of measuring tape showing my new design;

FIG. 2 is a front elevation view thereof;

FIG. 3 is a rear elevation view thereof;

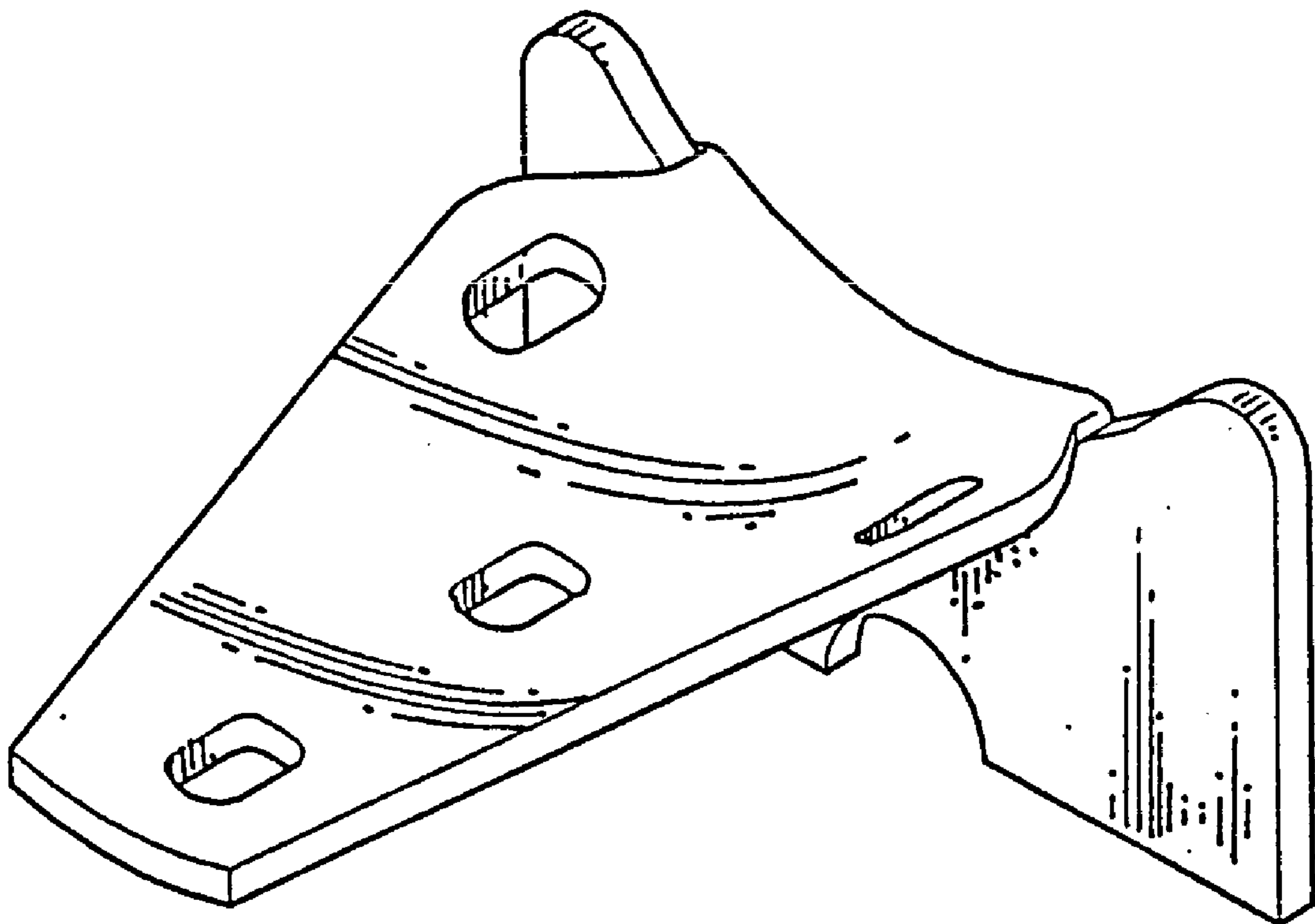
FIG. 4 is a left side elevation view thereof;

FIG. 5 is a right side elevation view thereof;

FIG. 6 is a top plan view thereof; and,

FIG. 7 is a bottom plan view thereof.

1 Claim, 4 Drawing Sheets



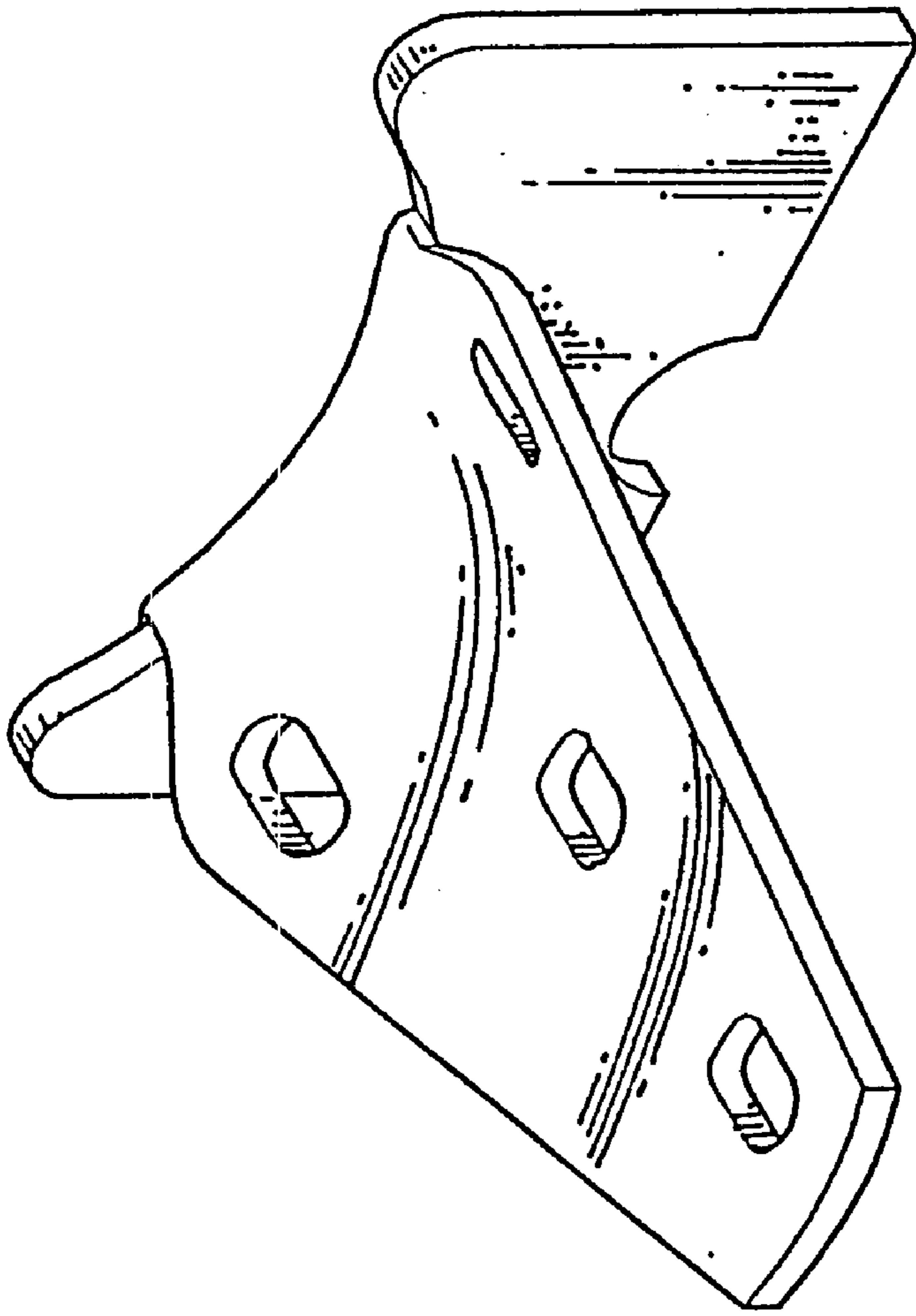


Fig. 1

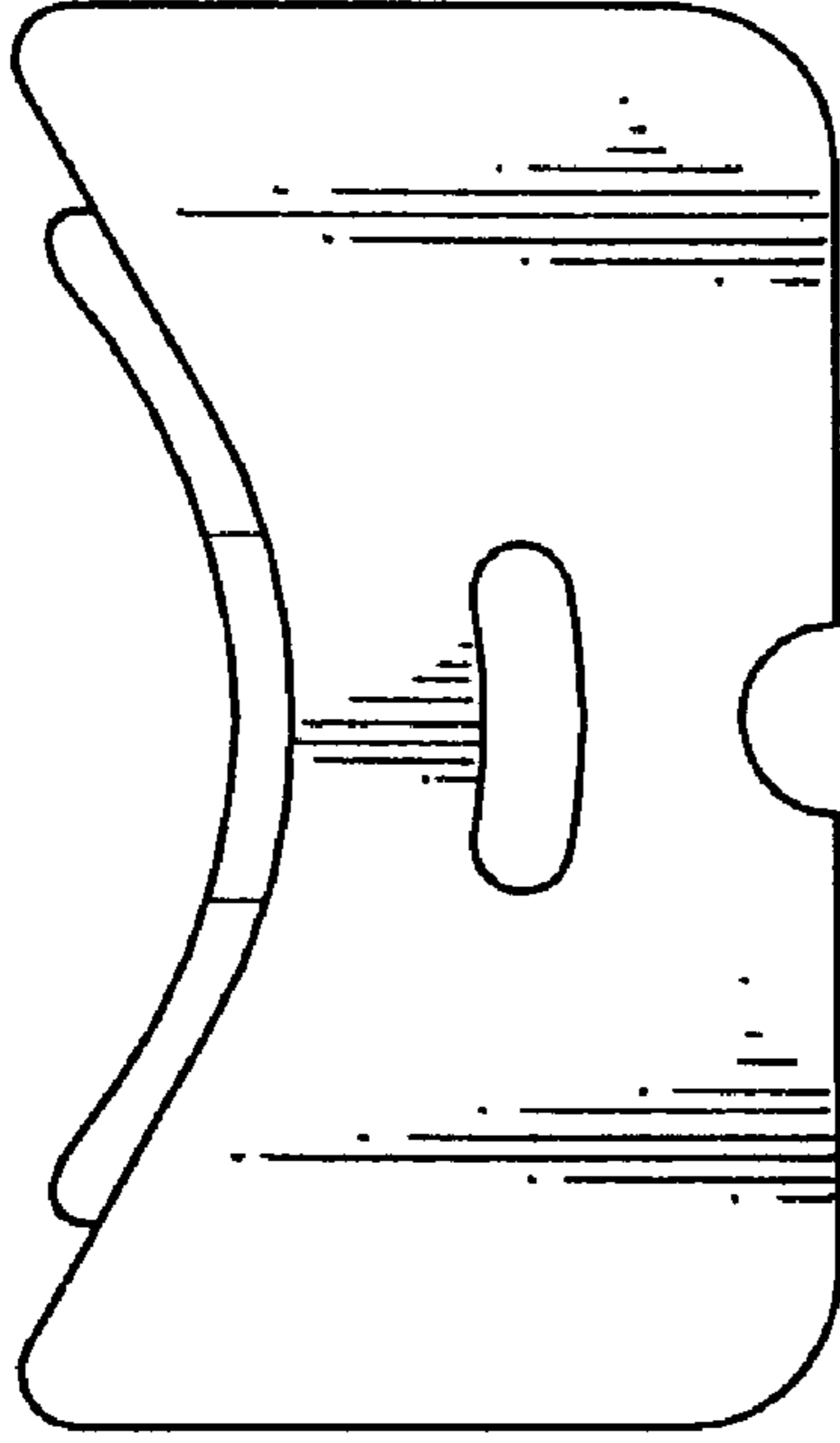


Fig.3

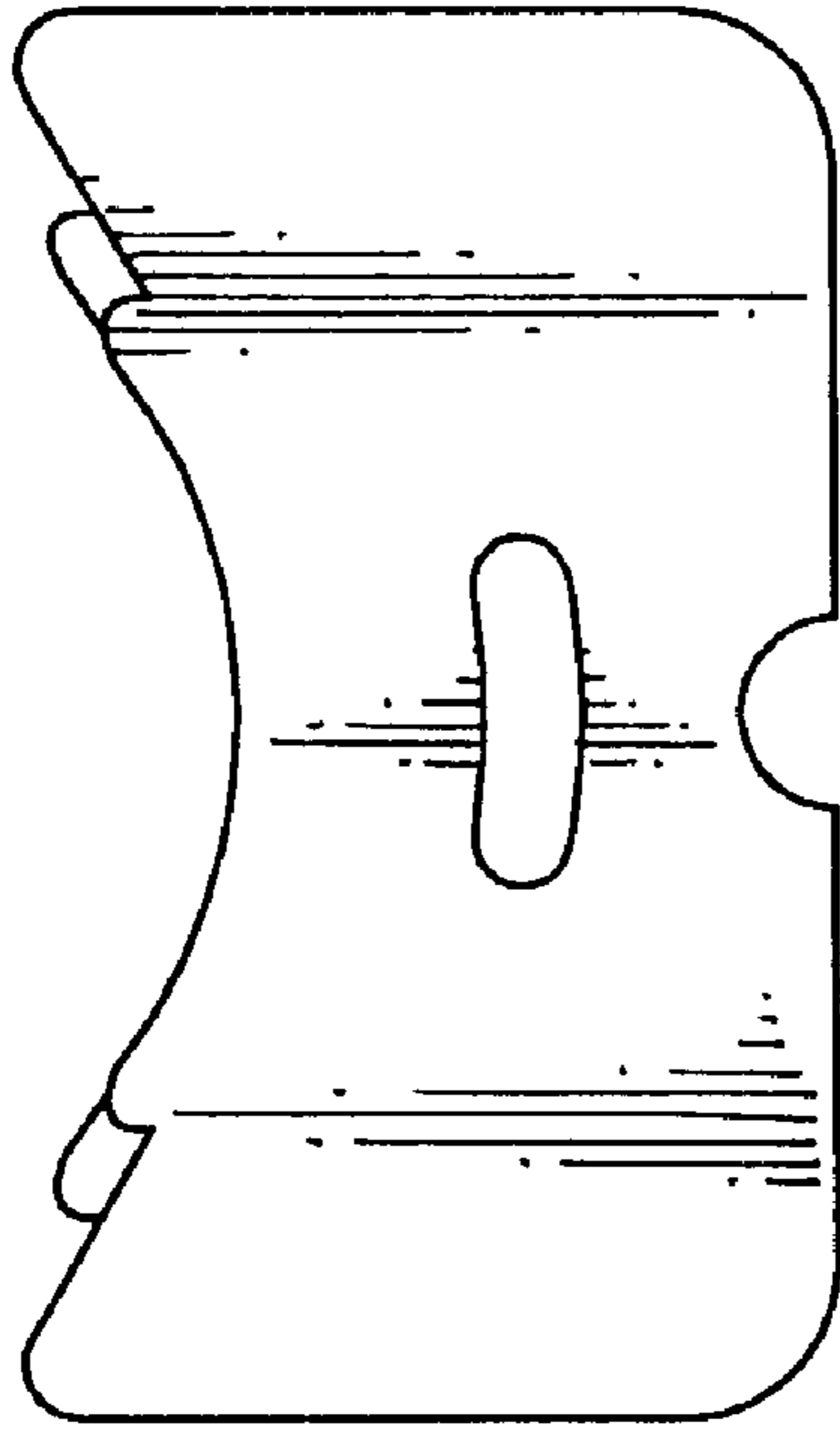


Fig.2

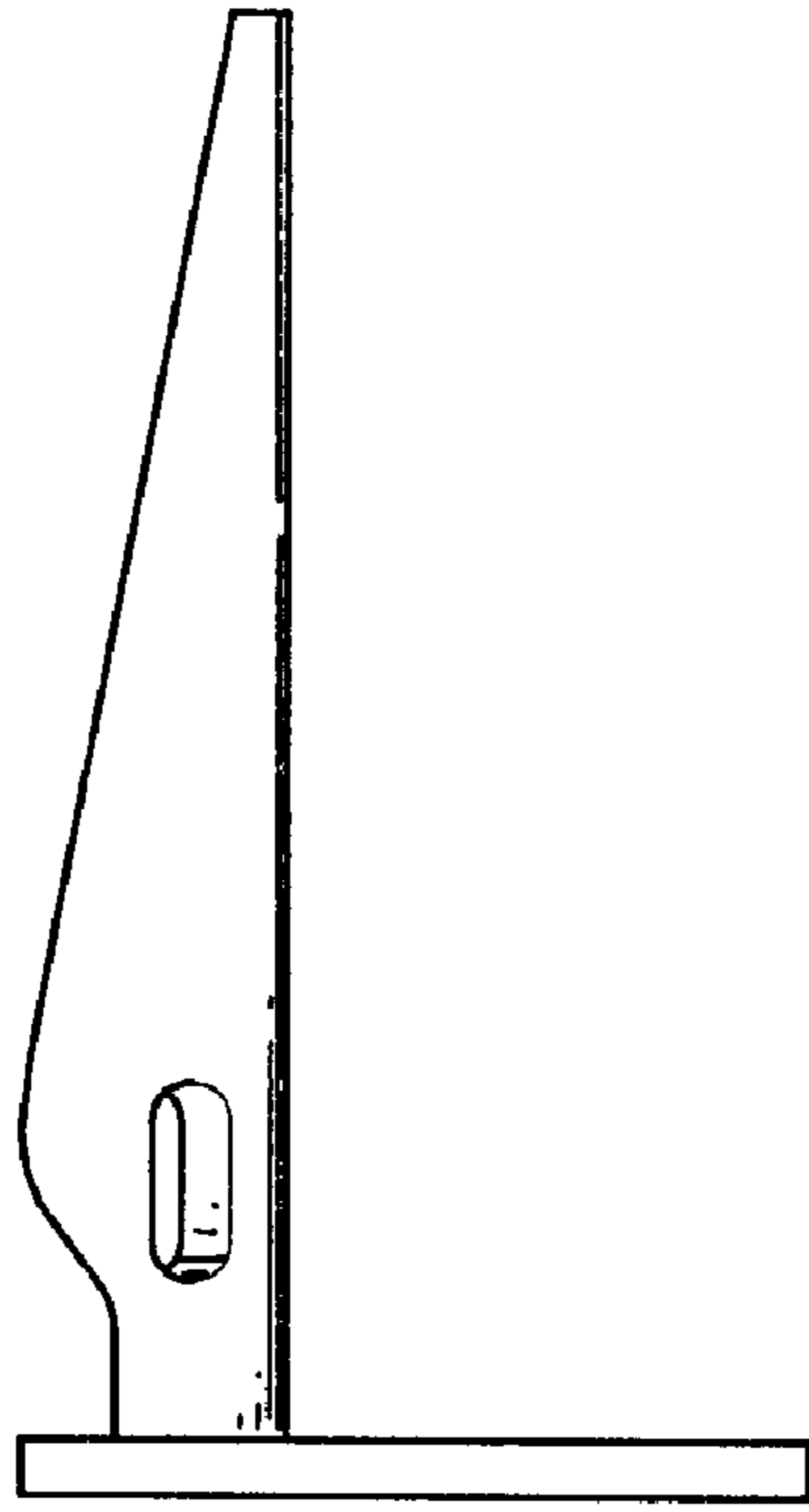


Fig. 5

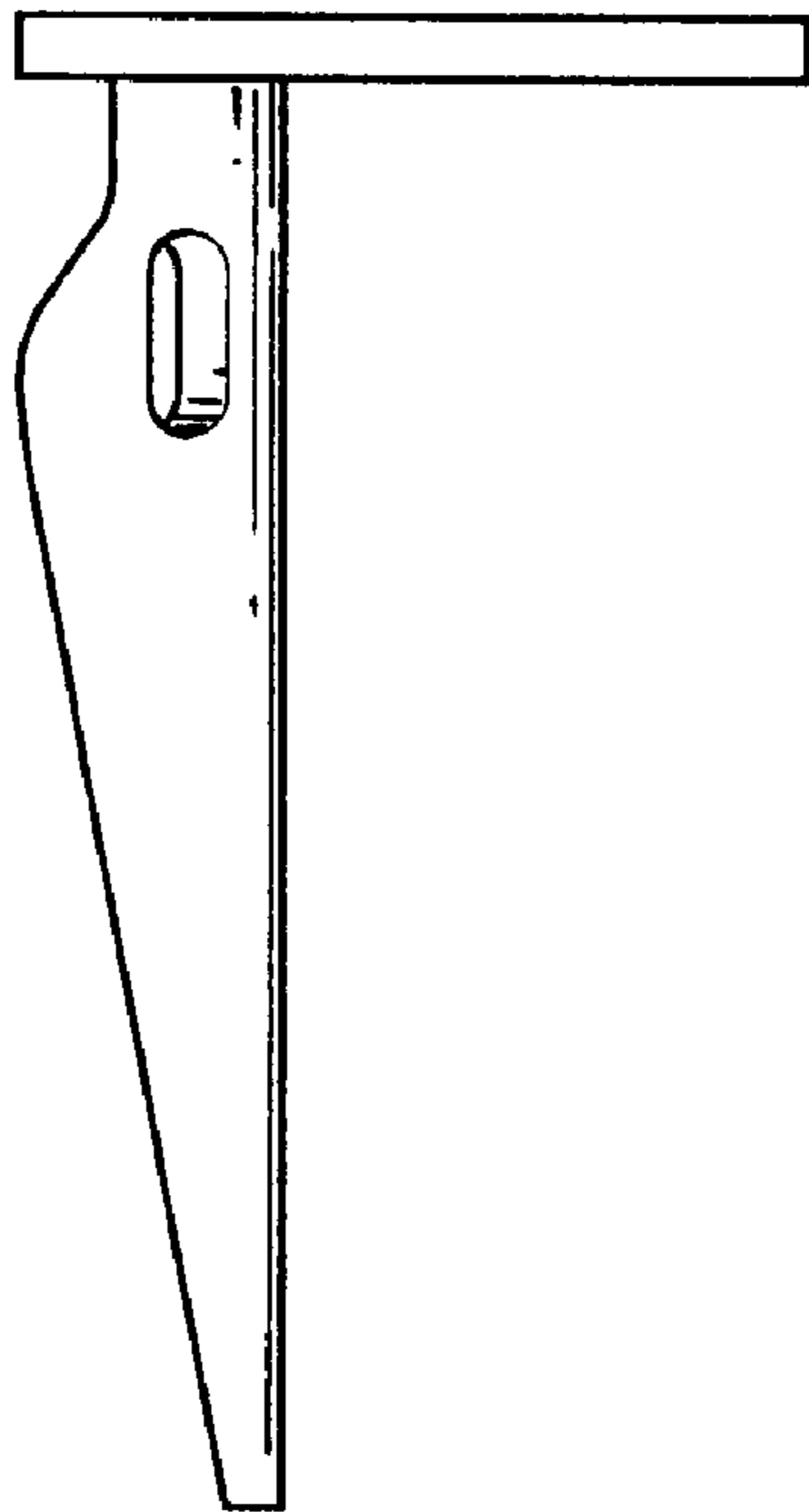


Fig. 4

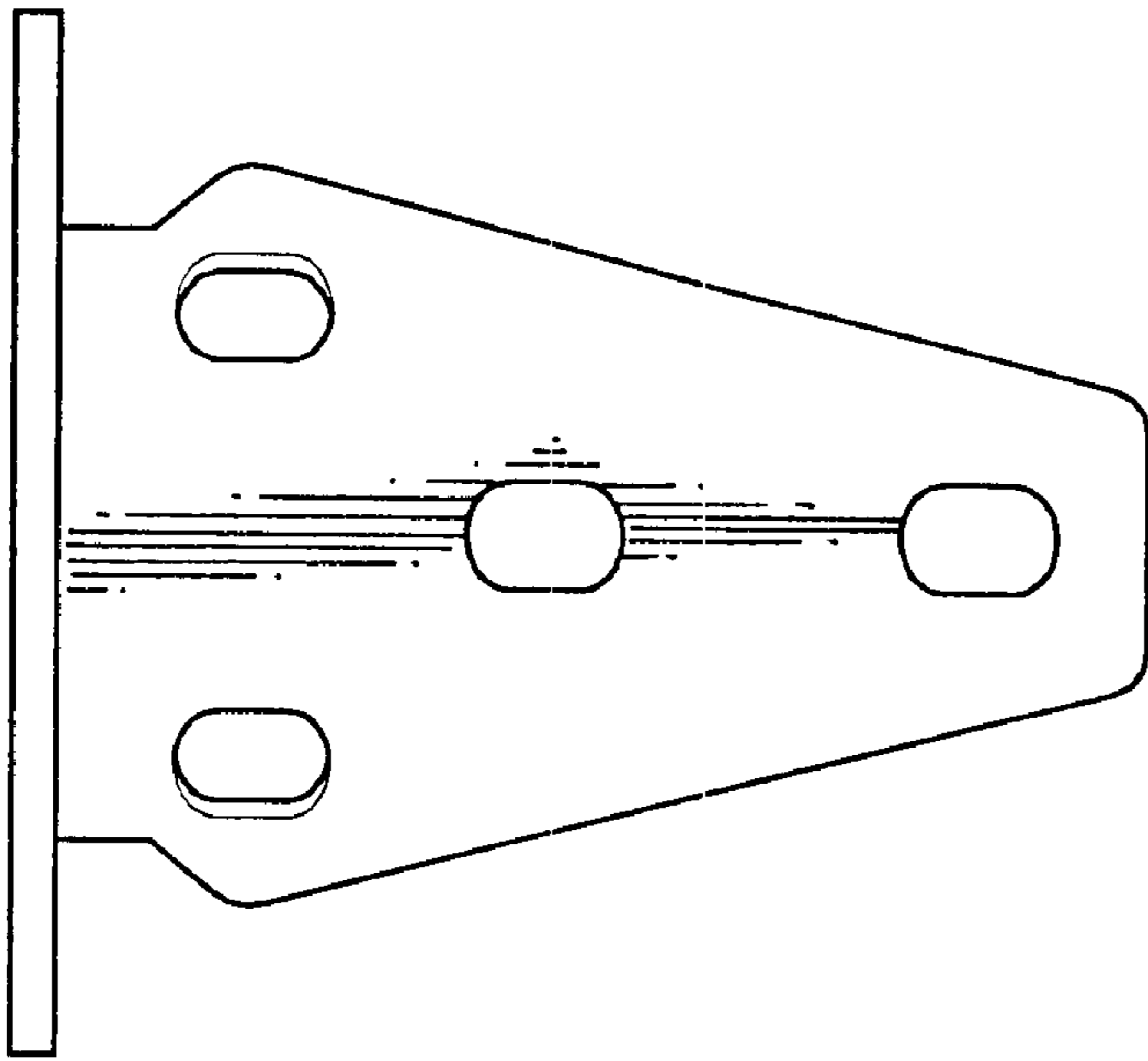


Fig.6

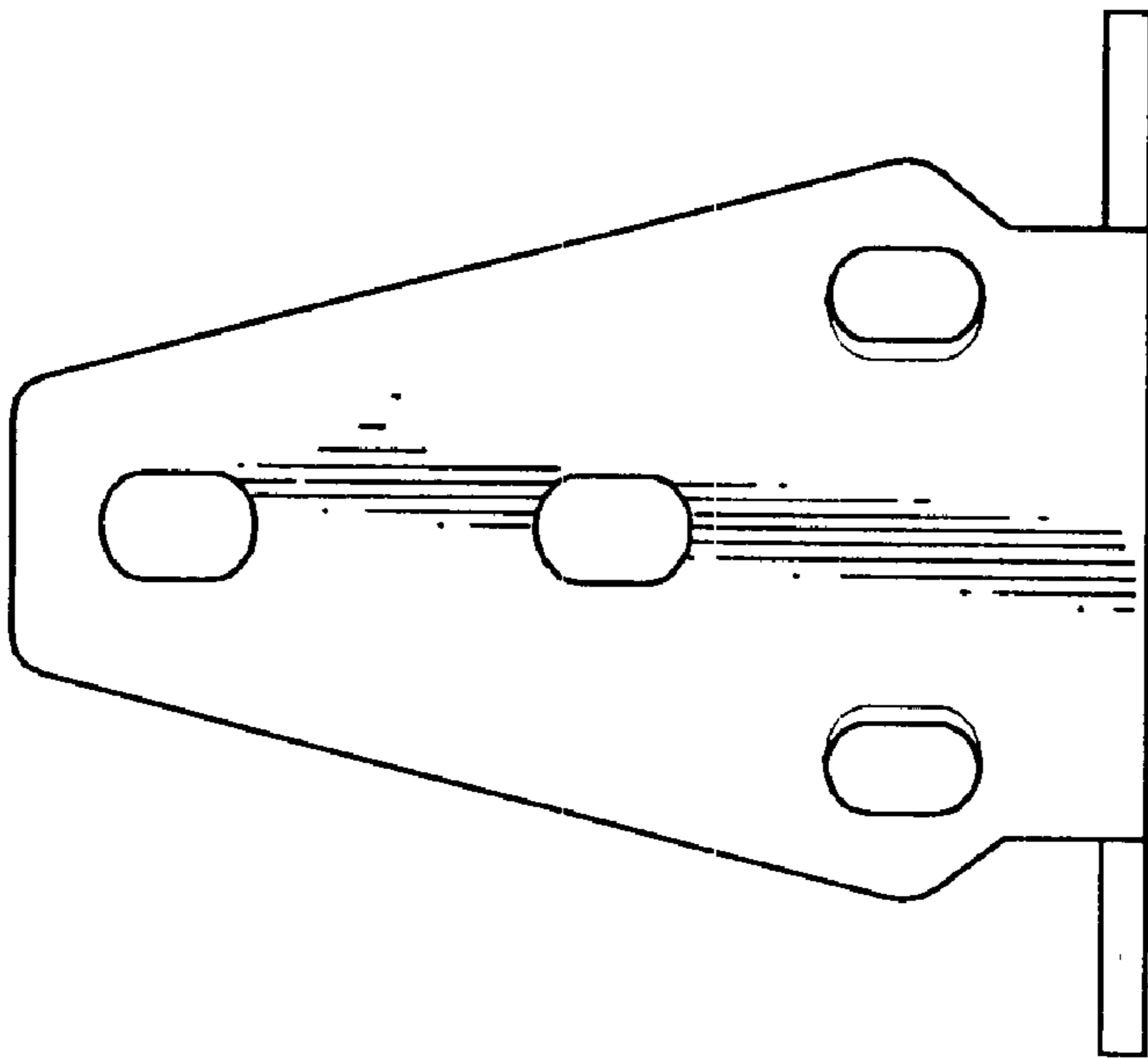


Fig.7