



US00D453302S

(12) **United States Design Patent**  
**Liu**

(10) **Patent No.:** **US D453,302 S**

(45) **Date of Patent:** **\*\* Feb. 5, 2002**

(54) **MEASURING TAPE**

*Primary Examiner*—Antoine Duval Davis

(76) **Inventor:** **Simon Liu**, 235 Chung-Ho Box 8-24,  
Taipei (TW)

(57) **CLAIM**

(\*\*) **Term:** **14 Years**

The ornamental design for a measuring tape, as shown and described.

(21) **Appl. No.:** **29/146,938**

**DESCRIPTION**

(22) **Filed:** **Aug. 21, 2001**

FIG. 1 is a perspective view of a measuring tape showing my new design;

(51) **LOC (7) Cl.** ..... **10-04**

FIG. 2 is a left side view thereof;

(52) **U.S. Cl.** ..... **D10/72**

FIG. 3 is a right side view thereof;

(58) **Field of Search** ..... **D10/72; 33/755-771**

FIG. 4 is a rear elevational view thereof;

(56) **References Cited**

**U.S. PATENT DOCUMENTS**

FIG. 5 is a front elevational view thereof;

6,243,964 B1 \* 6/2001 Murray ..... 33/769

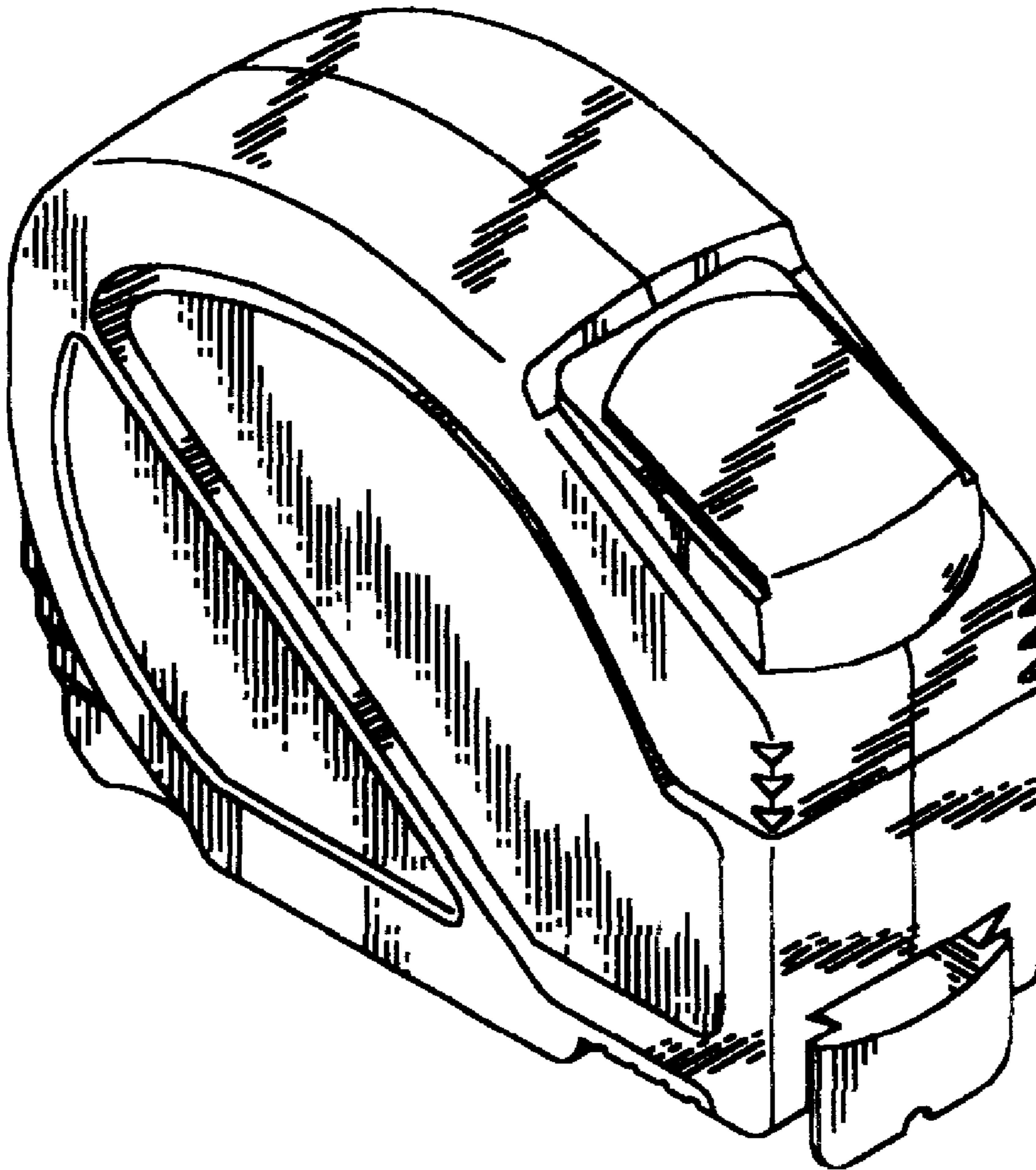
FIG. 6 is a top plan view thereof; and,

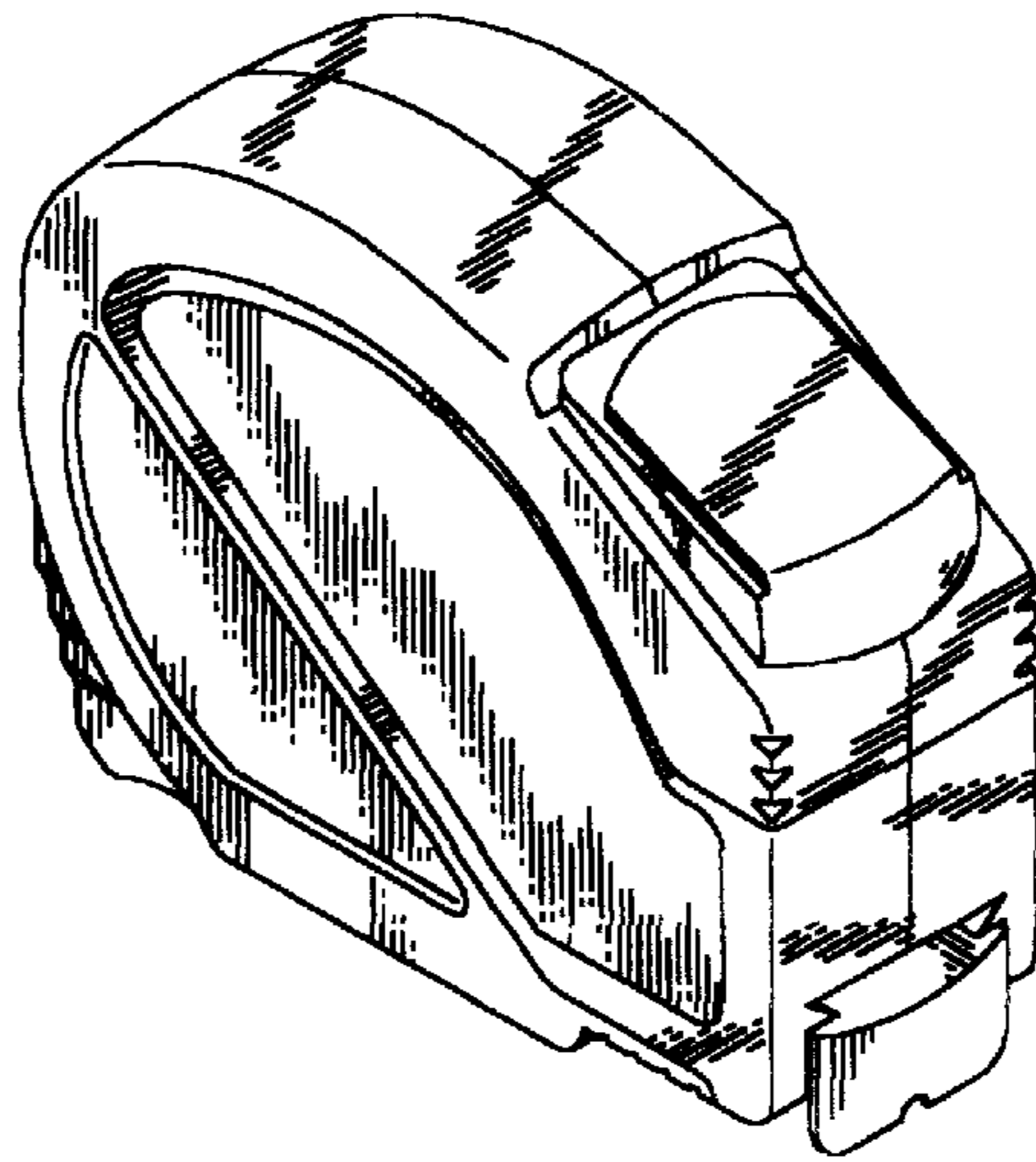
6,256,901 B1 \* 7/2001 Lin ..... 33/767

FIG. 7 is a bottom plan view thereof.

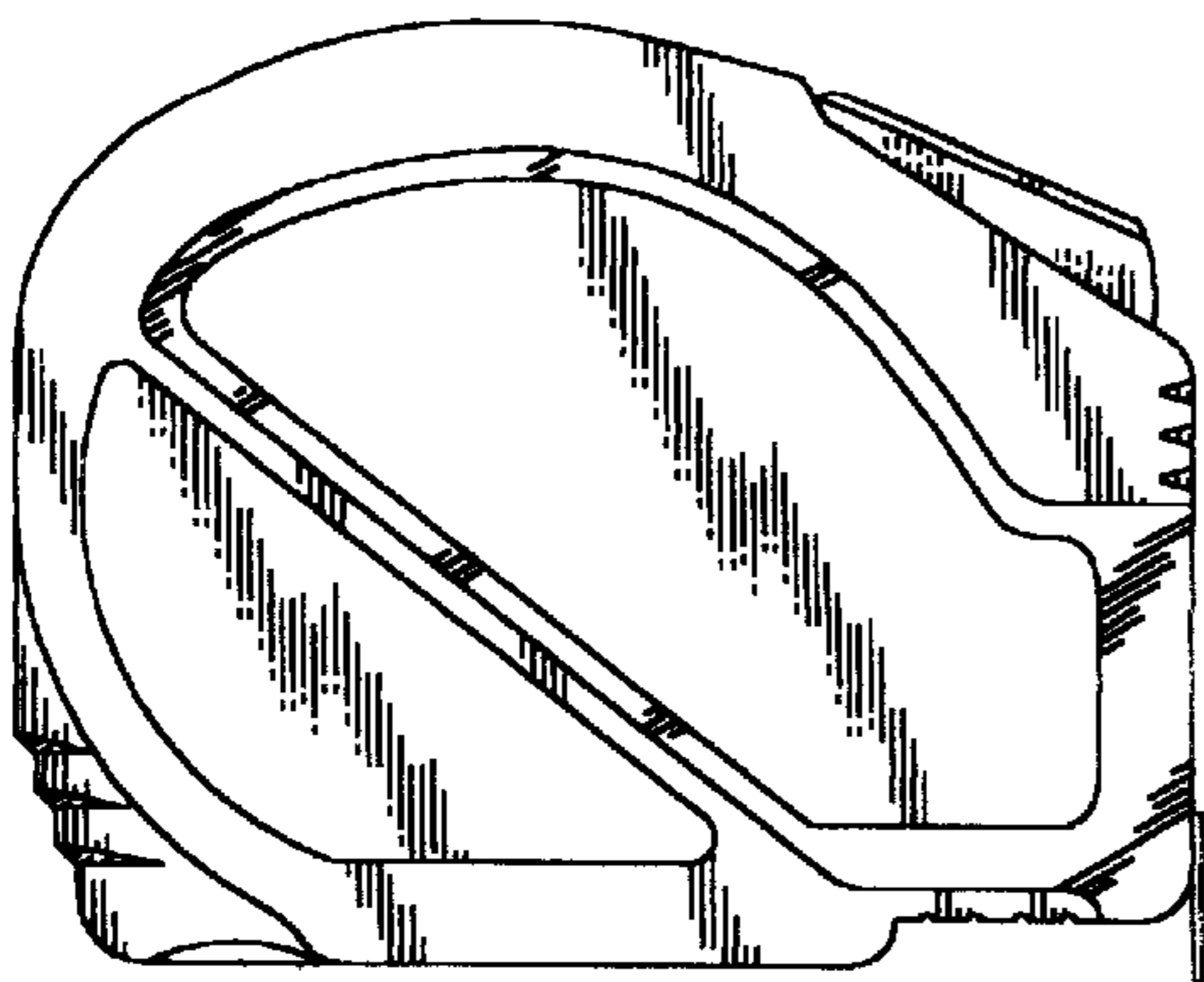
\* cited by examiner

**1 Claim, 2 Drawing Sheets**

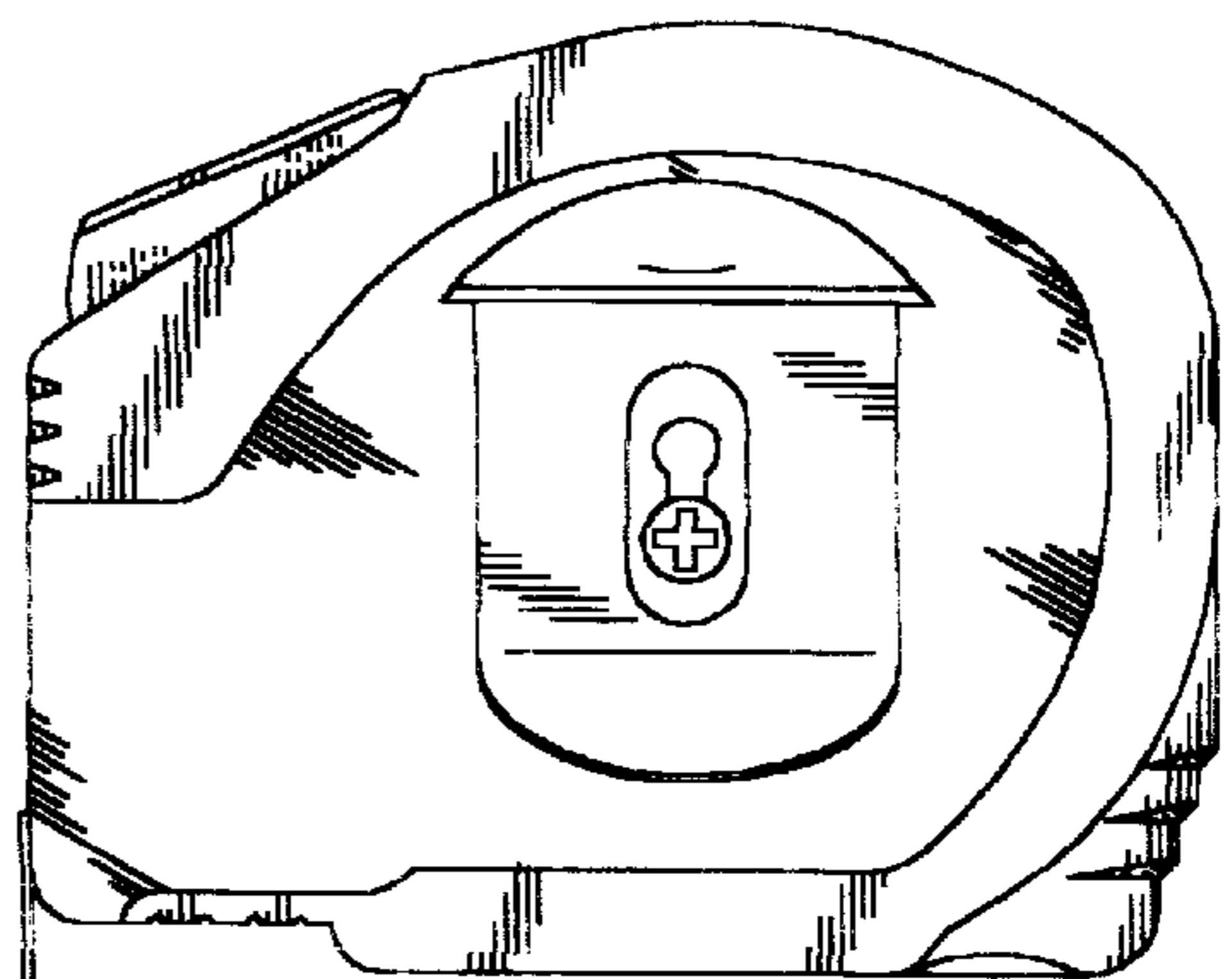




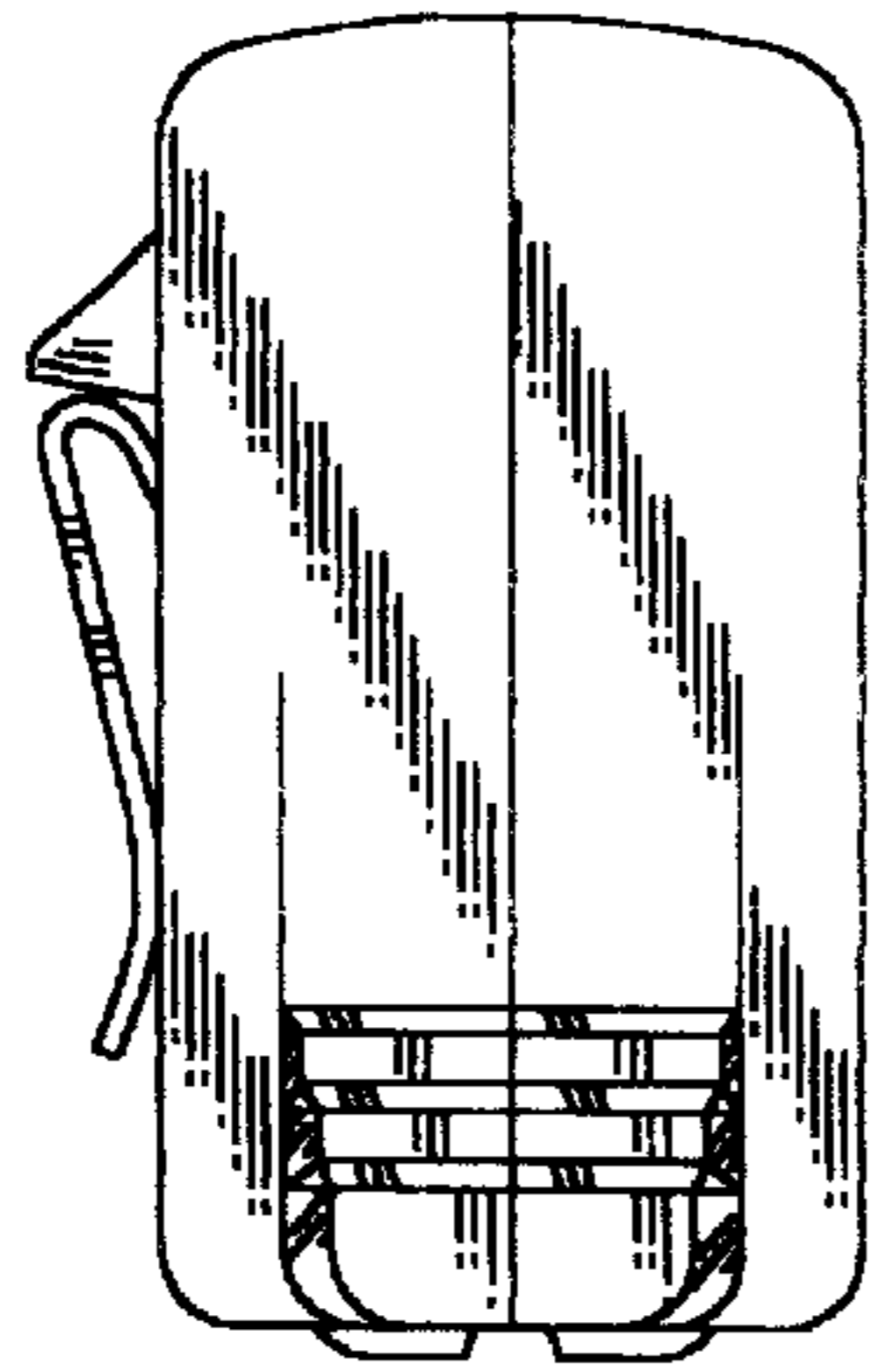
*Fig. 1*



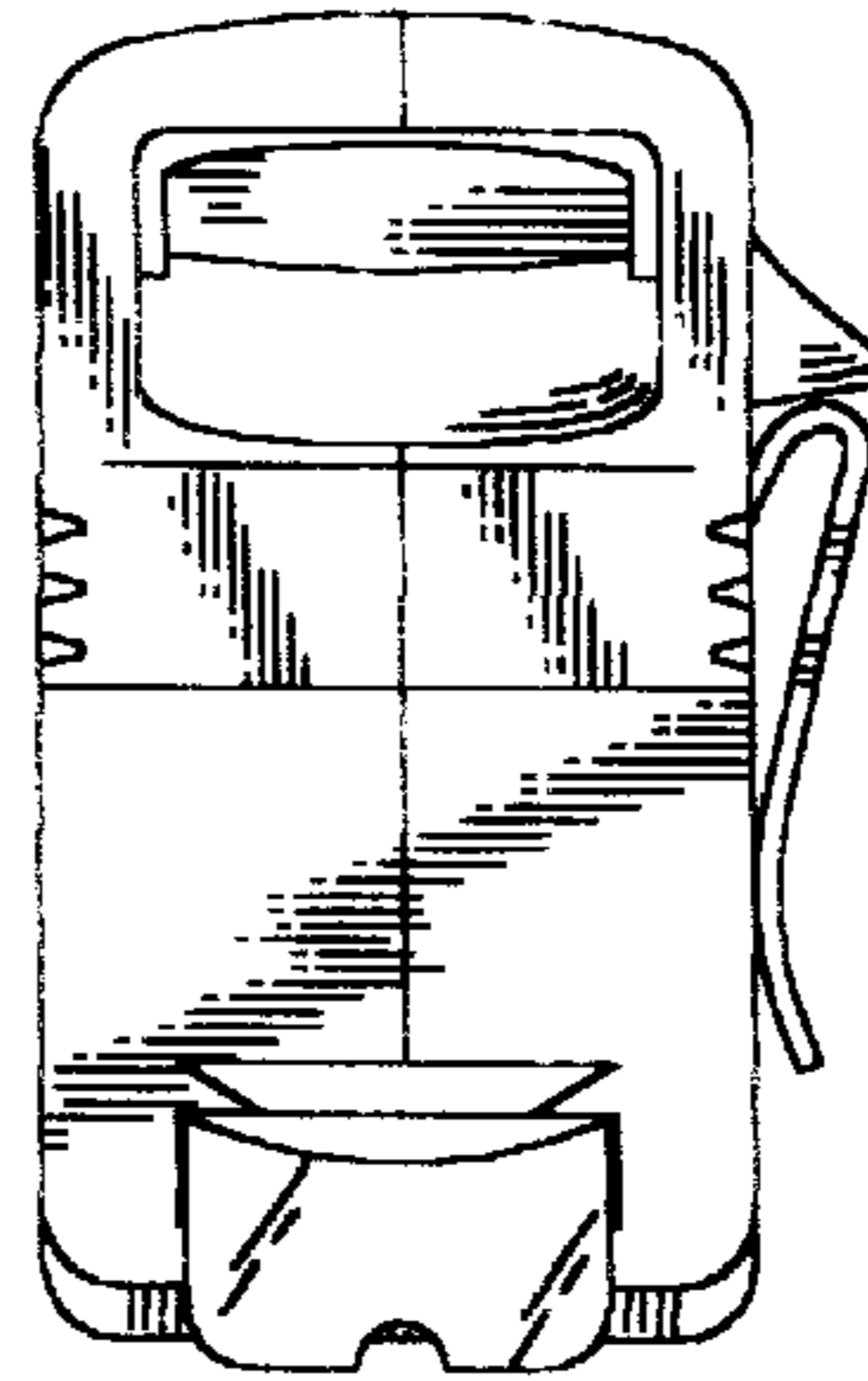
*Fig. 2*



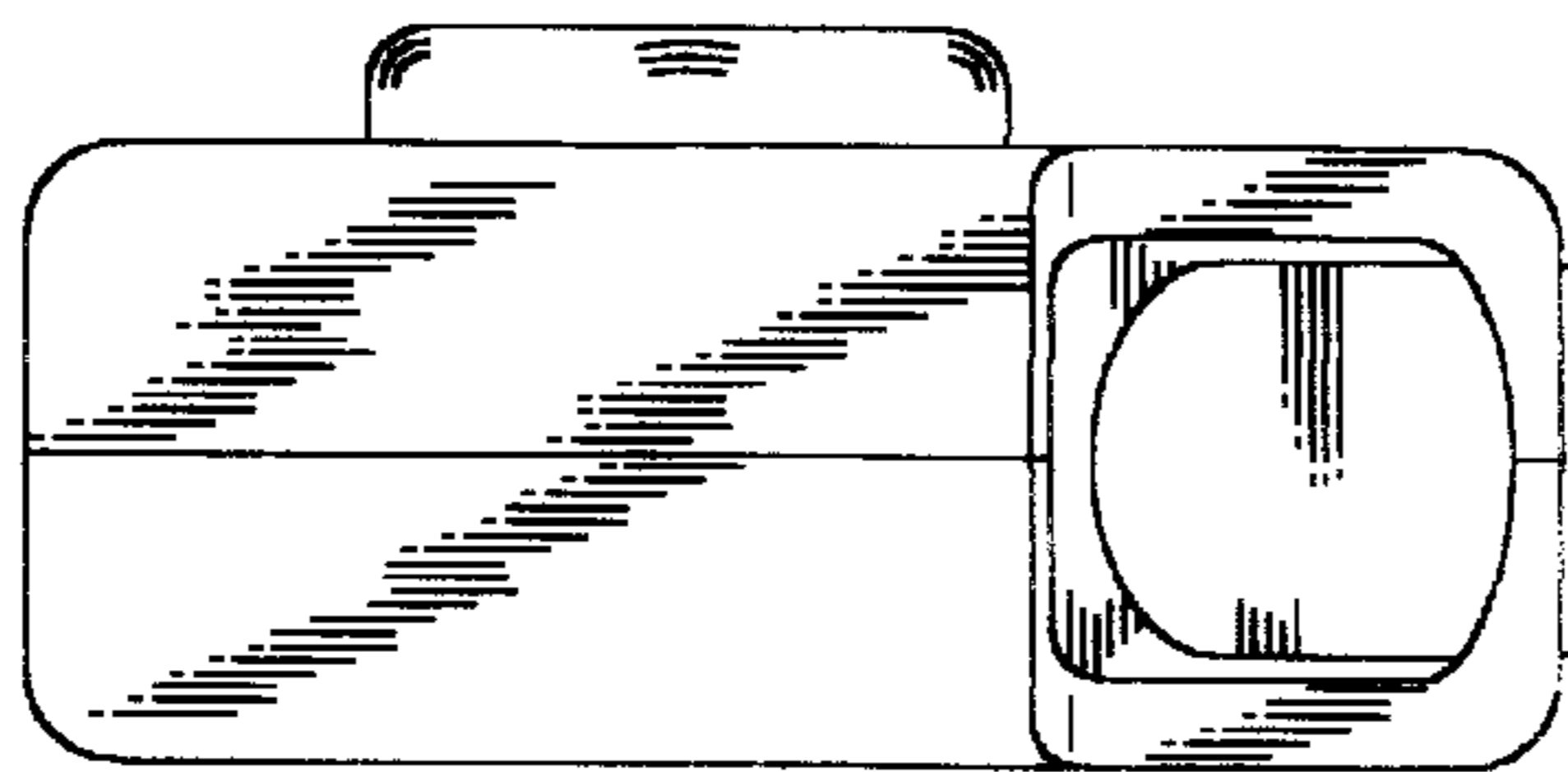
*Fig. 3*



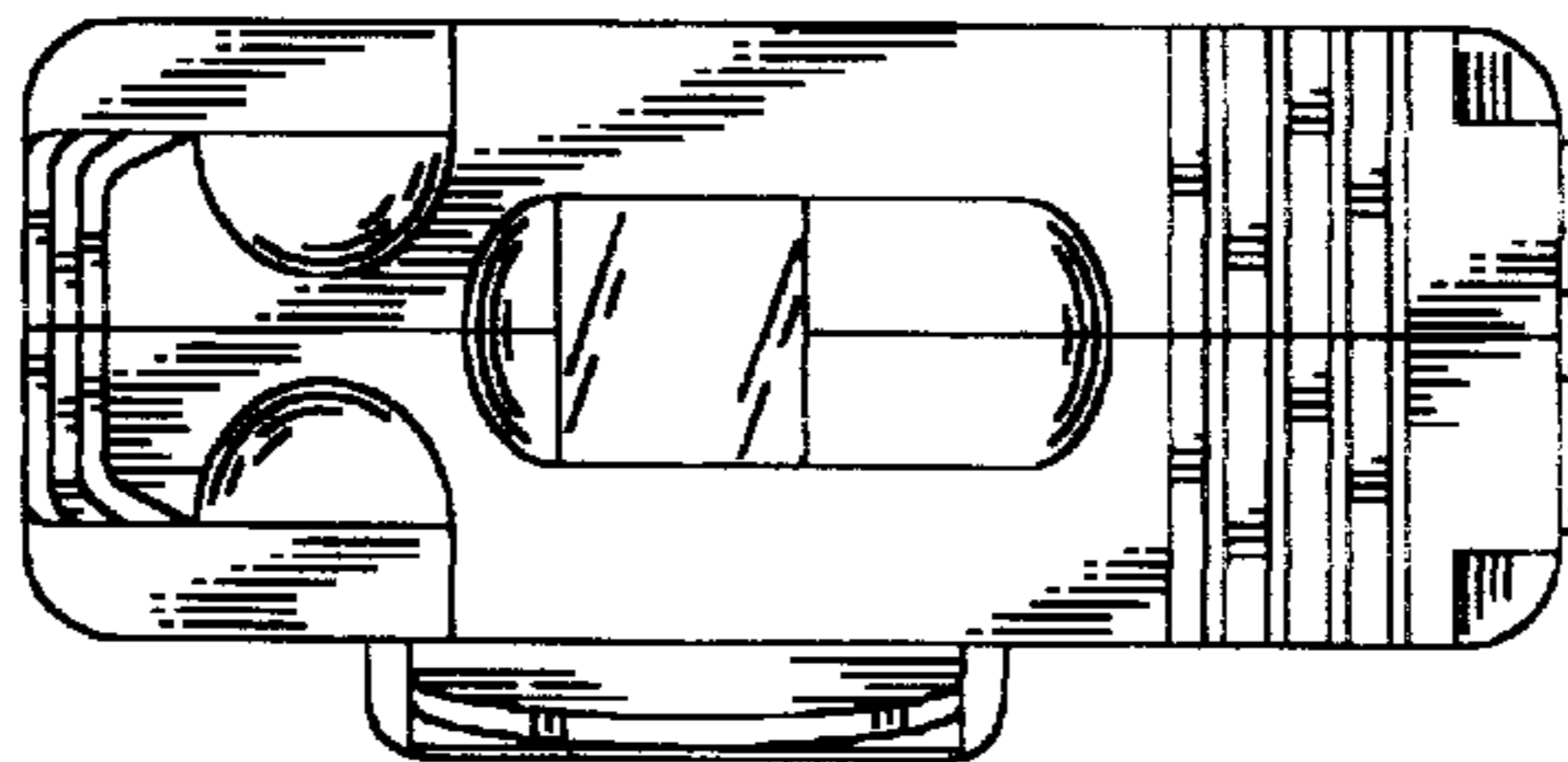
*Fig. 4*



*Fig. 5*



*Fig. 6*



*Fig. 7*