



US00D453281S

(12) **United States Design Patent**  
**Plumtre et al.**

(10) **Patent No.:** **US D453,281 S**

(45) **Date of Patent:** **\*\* Feb. 5, 2002**

(54) **TOASTER**

D395,977 S \* 7/1998 Pena Angarita ..... D7/330  
D427,838 S \* 7/2000 Lee ..... D7/329

(75) Inventors: **David Aubrey Plumtre**, Droitwich;  
**Michael Cameron Bainton**, Kinton,  
both of (GB)

\* cited by examiner

(73) Assignee: **Rowlett Limited**, Great Bookham (GB)

*Primary Examiner*—Caron D. Veynar

(\*\*) Term: **14 Years**

(74) *Attorney, Agent, or Firm*—Nixon & Vanderhye

(21) Appl. No.: **29/136,691**

(57) **CLAIM**

(22) Filed: **Feb. 7, 2001**

The ornamental design for a “toaster”, as shown and described.

(30) **Foreign Application Priority Data**

Aug. 7, 2000 (GB) ..... 2094754

**DESCRIPTION**

(51) **LOC (7) Cl.** ..... **07-02**

(52) **U.S. Cl.** ..... **D7/330**

(58) **Field of Search** ..... D7/328–330; 99/385,  
99/389, 400–402

FIG. 1 is a top, left side and front perspective view of a toaster according to our design; and,

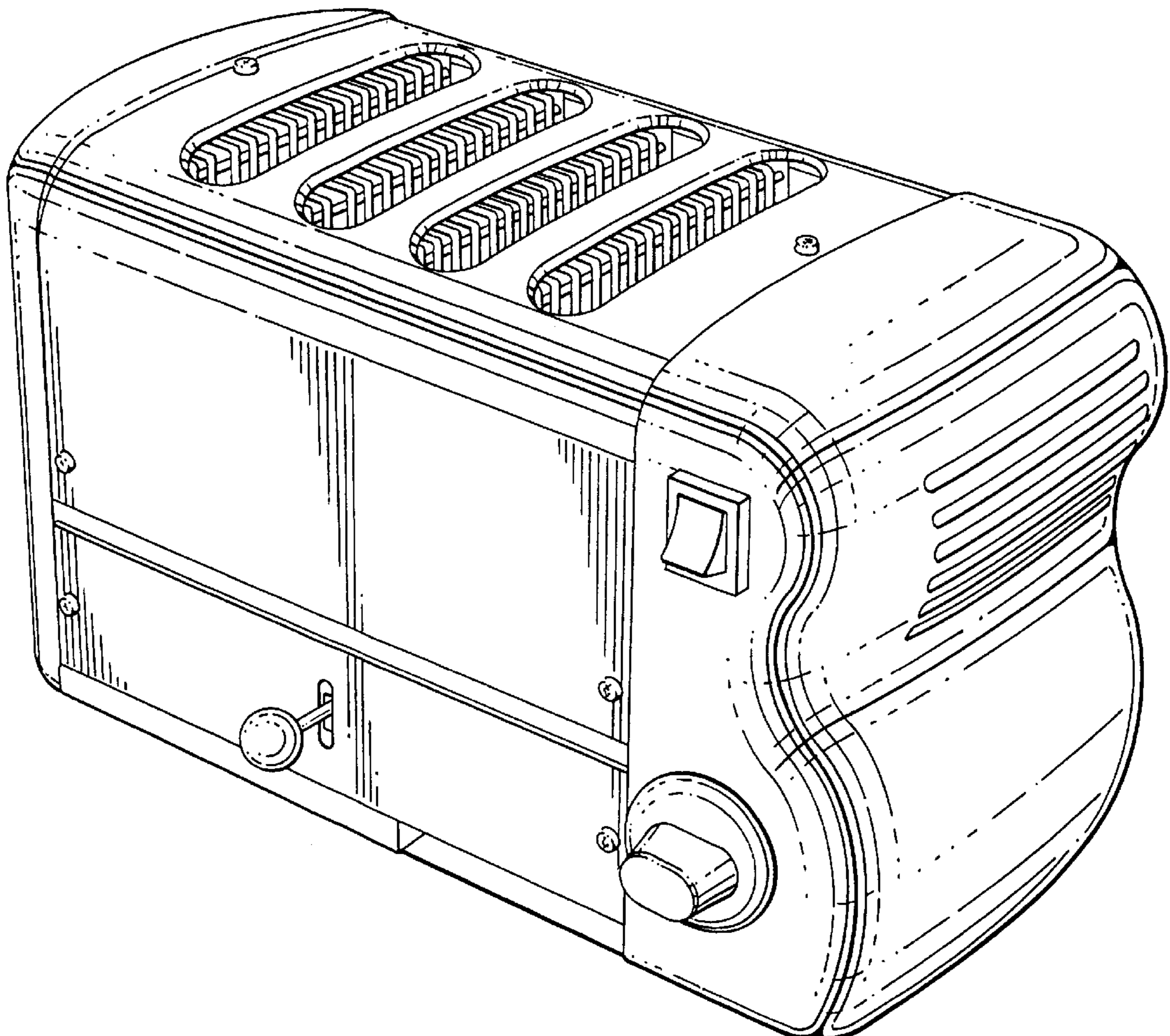
FIG. 2 is a top, right side and rear perspective view of a toaster according to our design.

(56) **References Cited**

**U.S. PATENT DOCUMENTS**

D337,476 S \* 7/1993 Raab ..... D7/329

**1 Claim, 2 Drawing Sheets**



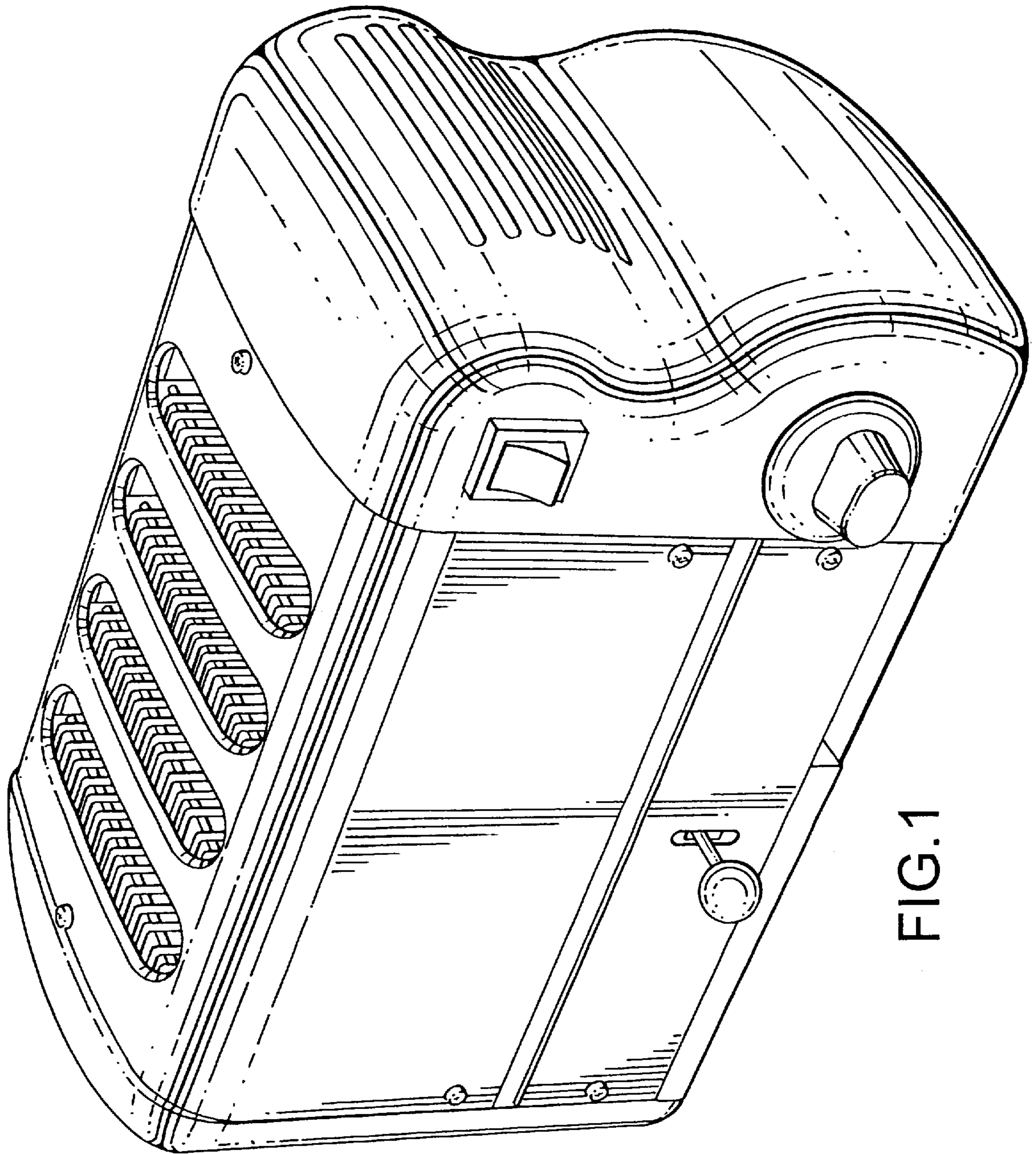


FIG. 1

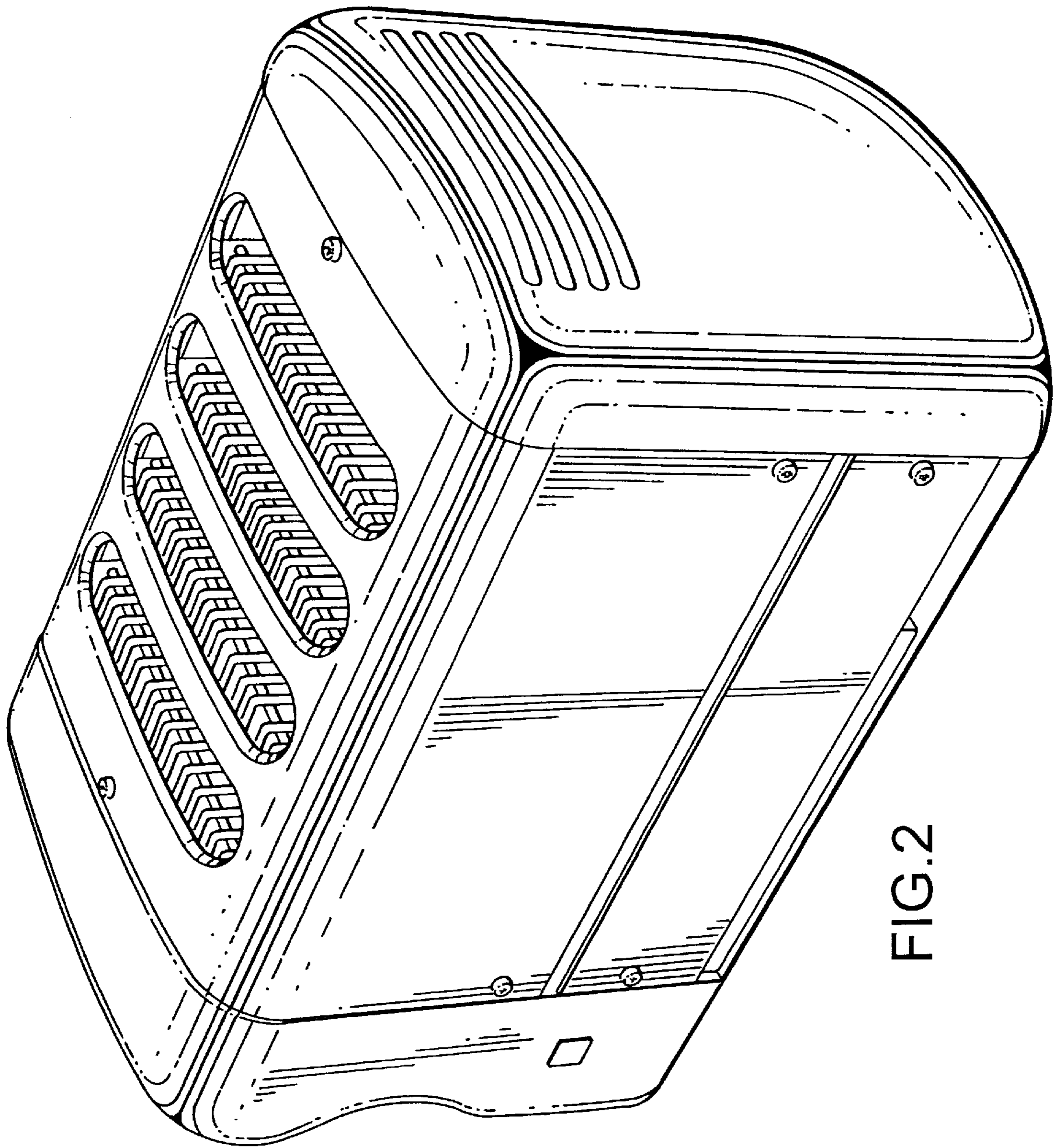


FIG.2