



US00D453278S

(12) **United States Design Patent**
Chen

(10) **Patent No.:** **US D453,278 S**

(45) **Date of Patent:** **** Feb. 5, 2002**

(54) **SYPHON COFFEE MAKER**

(76) **Inventor:** **Chih-Hong Chen**, 10, Industrial W.
Rd., Kuangtian Industrial Park, Tainan
Hsien, 72004 (TW)

(**) **Term:** **14 Years**

(21) **Appl. No.:** **29/148,112**

(22) **Filed:** **Sep. 12, 2001**

(51) **LOC (7) Cl.** **07-01**

(52) **U.S. Cl.** **D7/309; D7/310**

(58) **Field of Search** D7/309, 300, 310,
D7/311, 312, 313, 307; 99/285, 282, 280,
289 R, 284, 279, 293, 295, 292, 303, 317;
210/481; 248/145; 220/23.83

(56) **References Cited**

U.S. PATENT DOCUMENTS

D45,585 S	*	4/1914	Cohn	D7/309
D47,681 S	*	8/1915	Allen, Jr.	D7/310
1,157,778 A	*	10/1915	Hemming et al.	248/145
D51,199 S	*	8/1917	Curtiss	D7/309
1,494,691 A	*	5/1924	Loggie et al.	99/292
D87,657 S	*	8/1932	Wolcott	D7/310
D94,164 S	*	12/1934	Samuels	D7/310
D114,692 S	*	5/1939	Wolcott	D7/399
D125,266 S	*	2/1941	Felver	D7/310
D125,435 S	*	2/1941	Swann	D7/311
D140,157 S	*	1/1945	Chapman	D7/310

D150,482 S	*	8/1948	Wohl	D7/310
D157,588 S	*	3/1950	Anderson	D7/313
2,561,952 A	*	7/1951	Rosby	220/762
D167,454 S	*	8/1952	Games	D7/310
D181,812 S	*	12/1957	Robins	D7/505
2,912,921 A	*	11/1959	Ellison	99/292
D190,247 S	*	5/1961	Brinkman	D7/310
3,670,641 A	*	6/1972	Mancioli	99/293
D324,149 S	*	2/1992	Beeren	D7/309
D429,109 S	*	8/2000	Ohu	D7/307

* cited by examiner

Primary Examiner—M. N. Pandozzi

(74) *Attorney, Agent, or Firm*—Alan Kamrath; Rider,
Bennett, Egan & Arundel, LLP

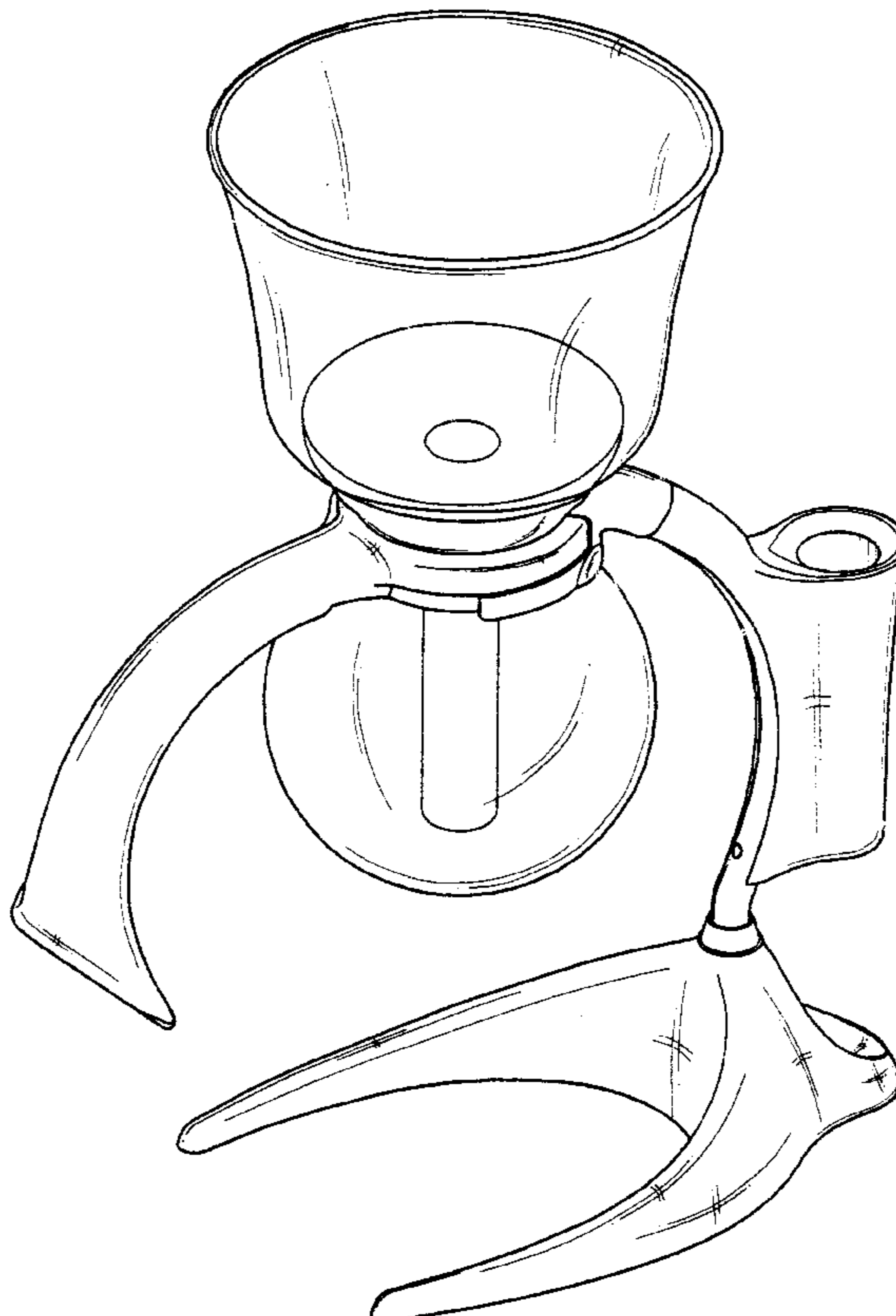
(57) **CLAIM**

The ornamental design for a syphon coffee maker, as shown
and described.

DESCRIPTION

FIG. 1 is a perspective view of a syphon coffee maker
showing my design;
FIG. 2 is a front elevational view thereof;
FIG. 3 is rear elevational view thereof;
FIG. 4 is a left elevational view thereof;
FIG. 5 is a right elevational view thereof;
FIG. 6 is a top plan view thereof; and,
FIG. 7 is a bottom plan view thereof.

1 Claim, 7 Drawing Sheets



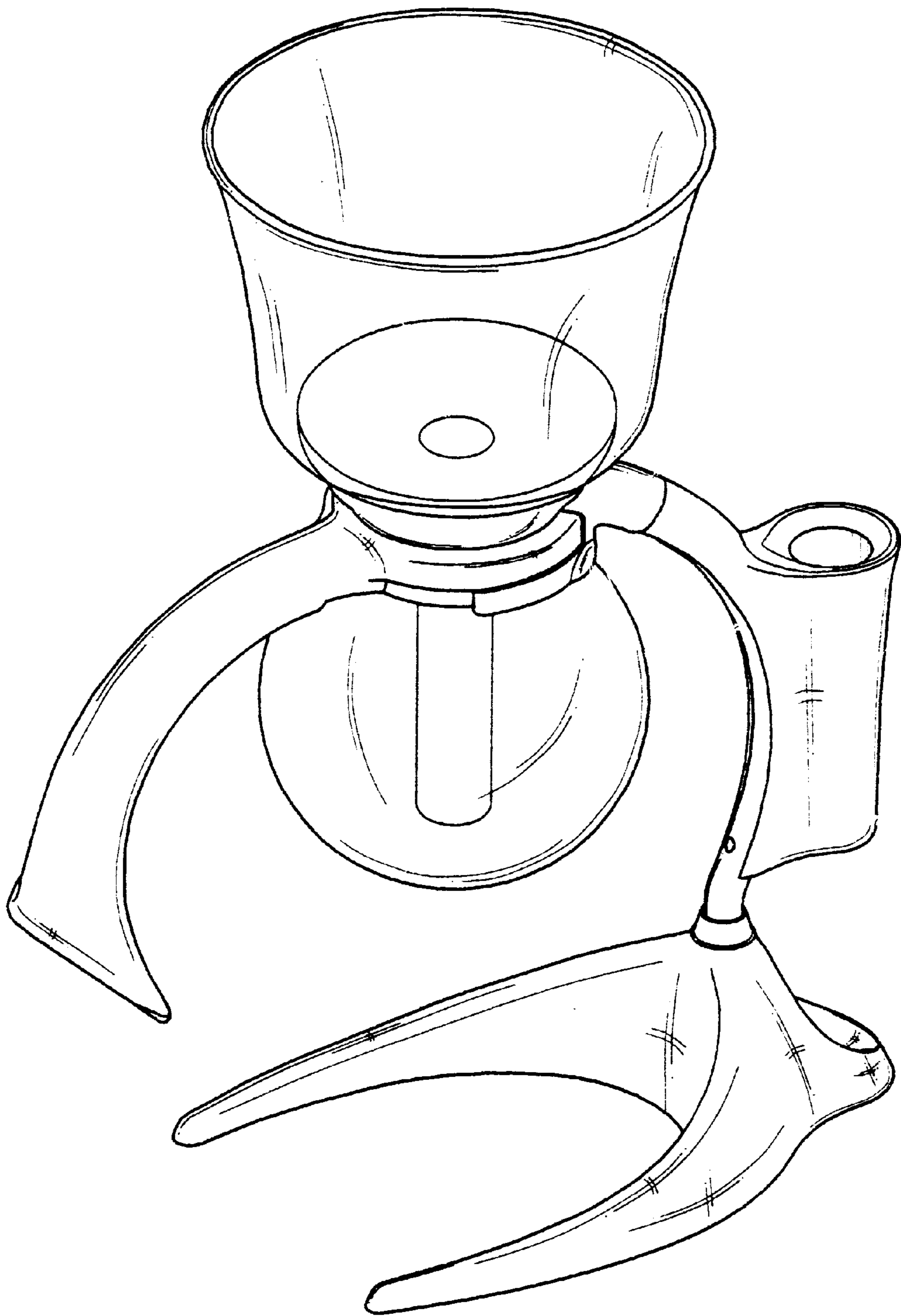


FIG. 1

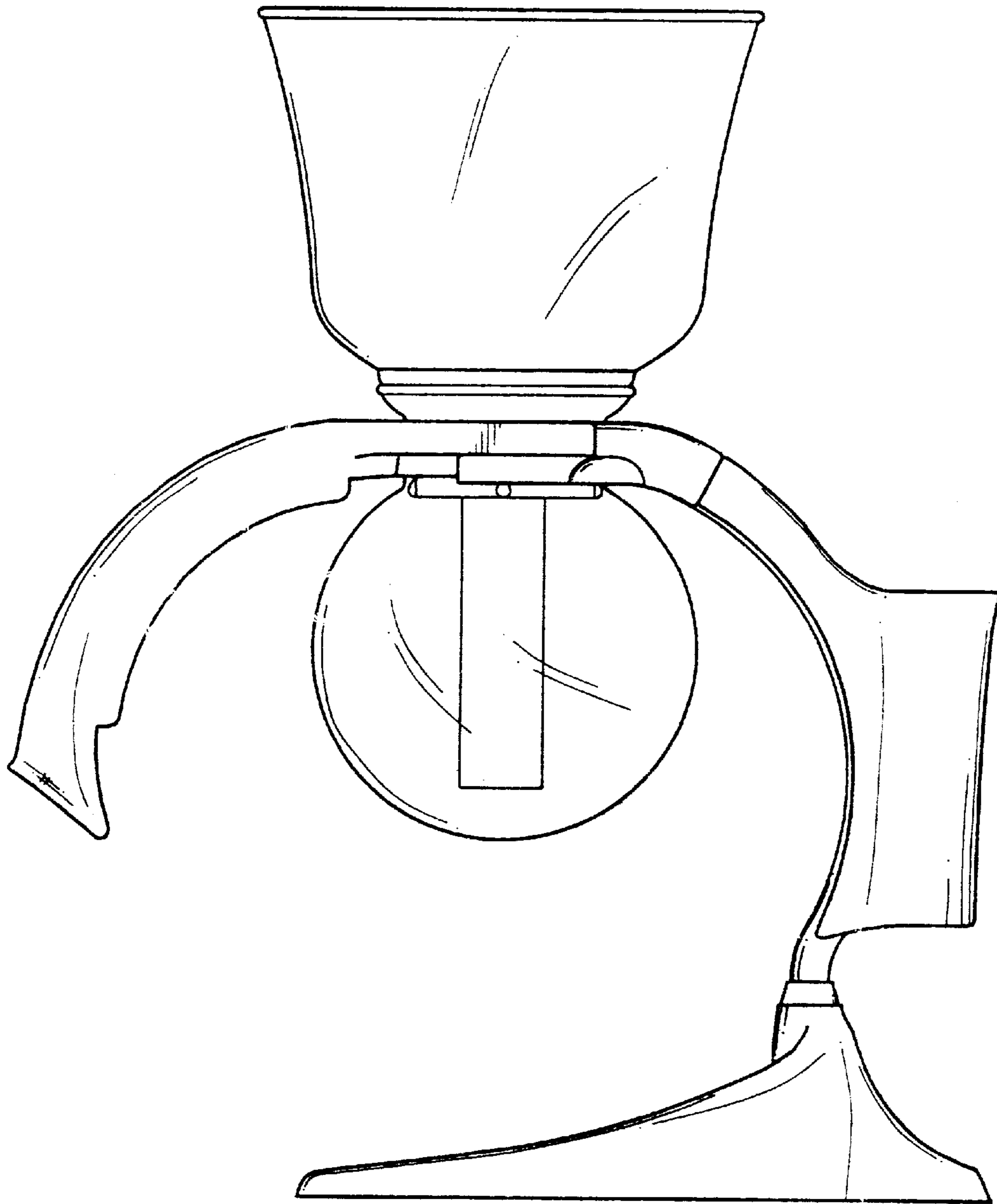


FIG. 2

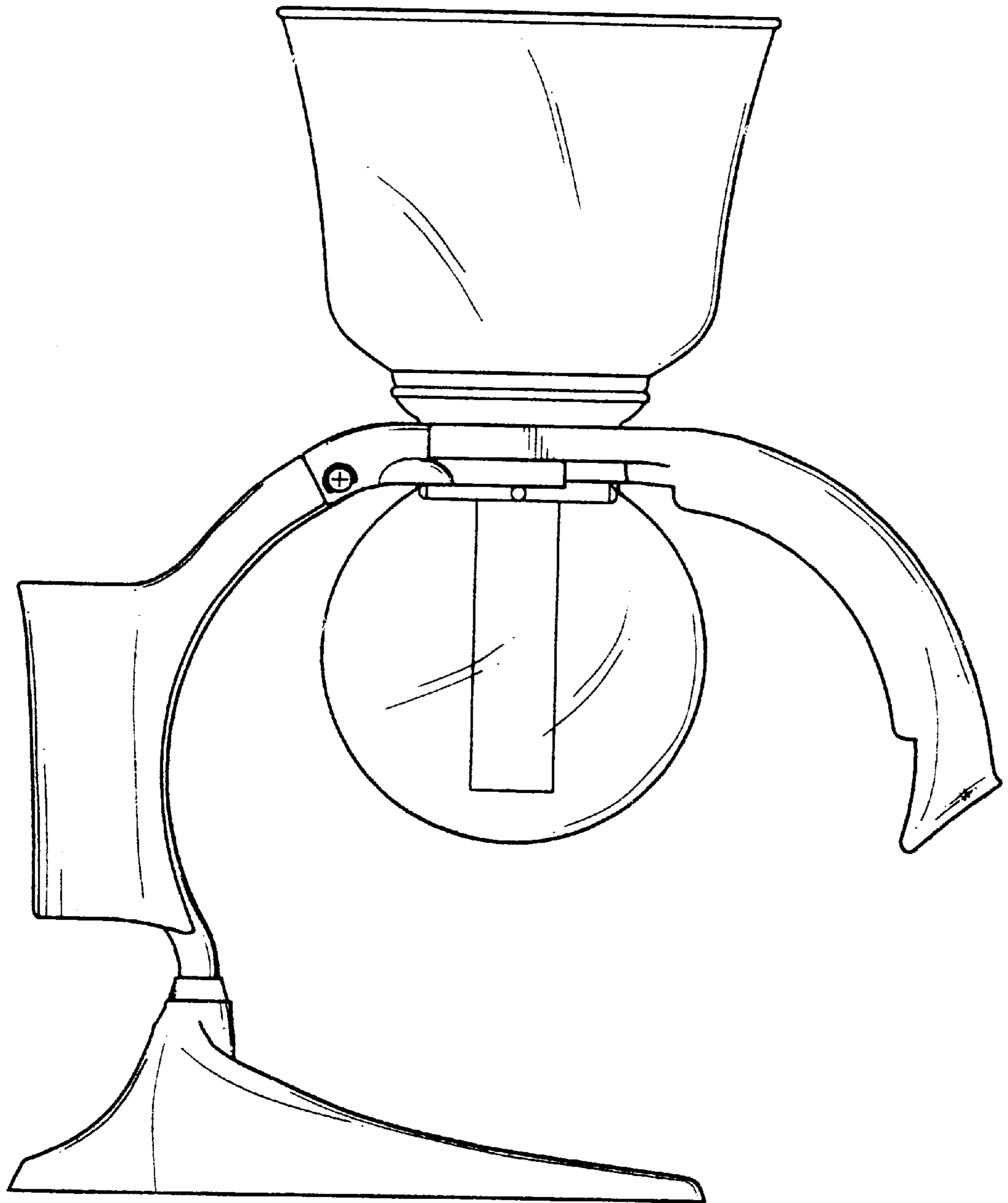


FIG . 3

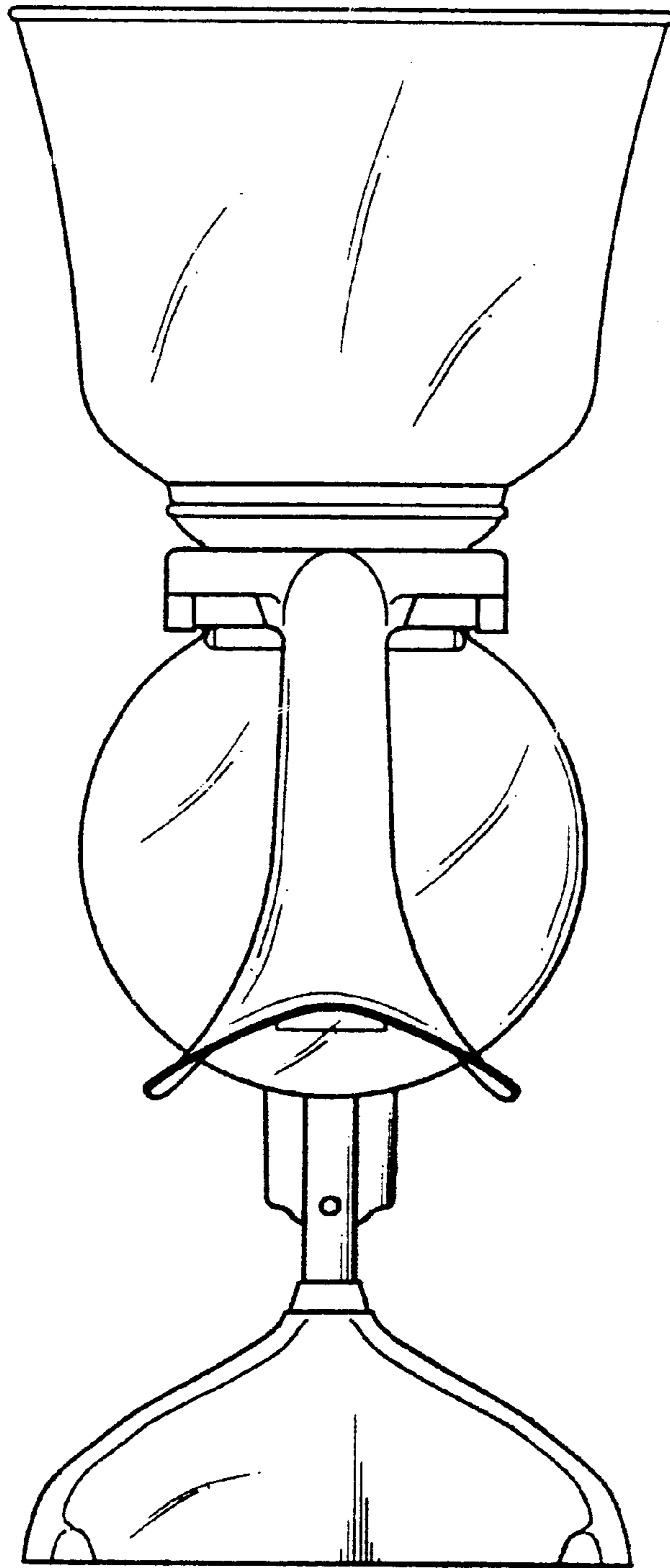


FIG. 4

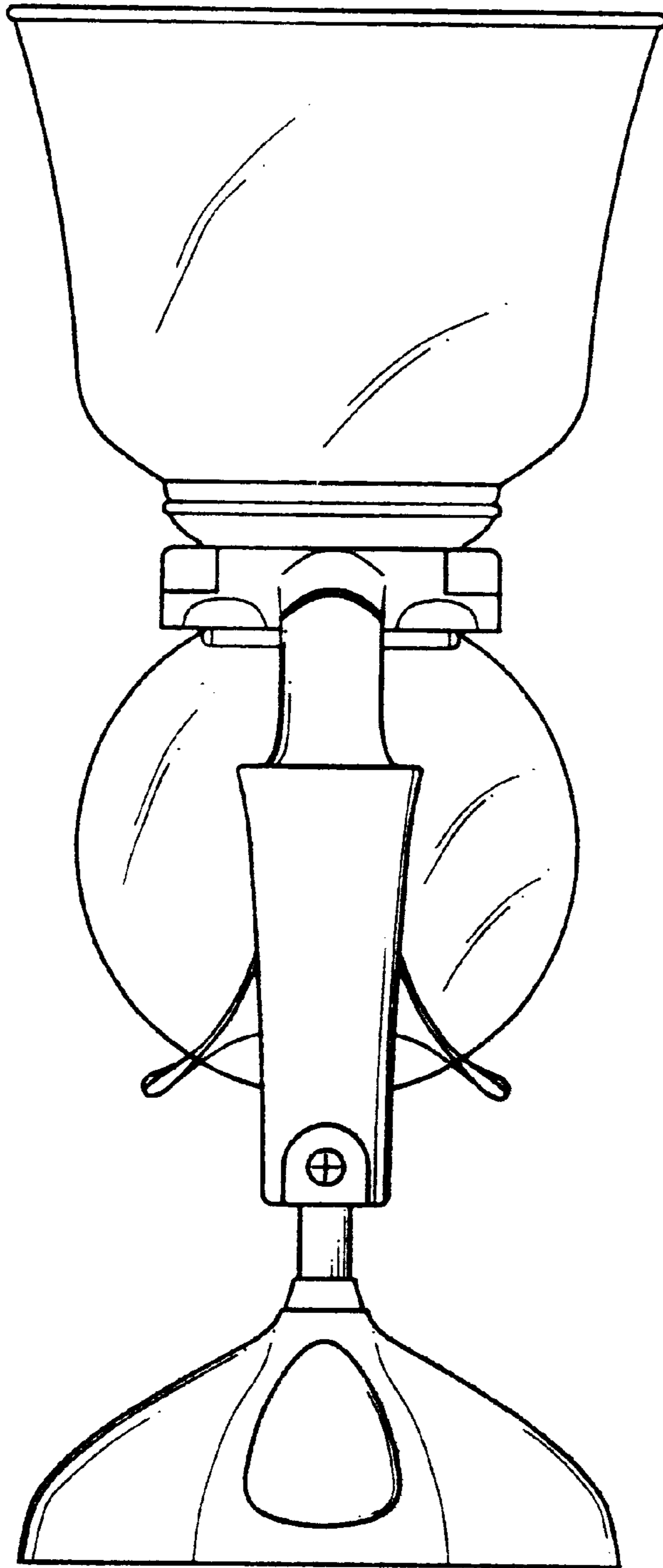


FIG. 5

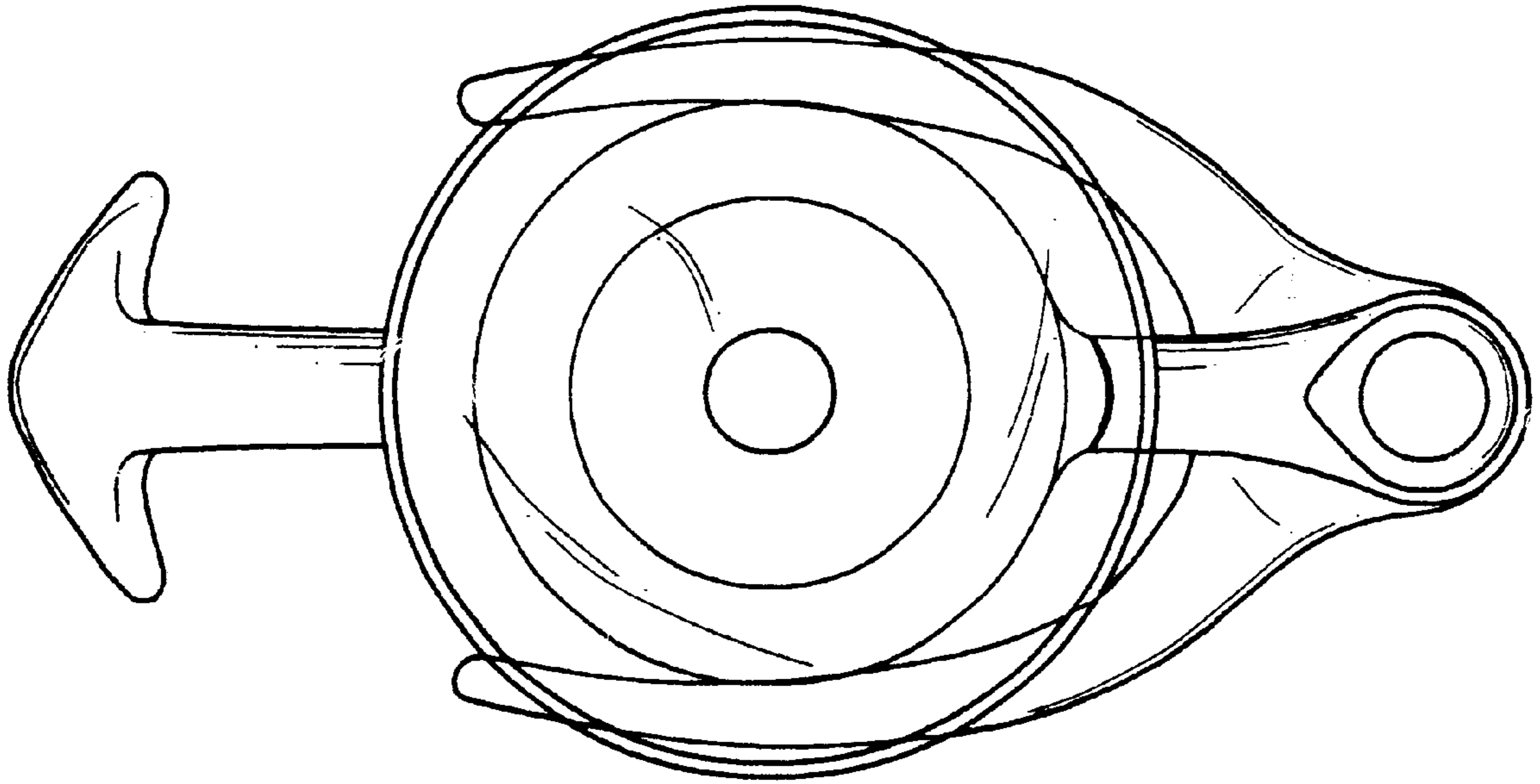


FIG . 6

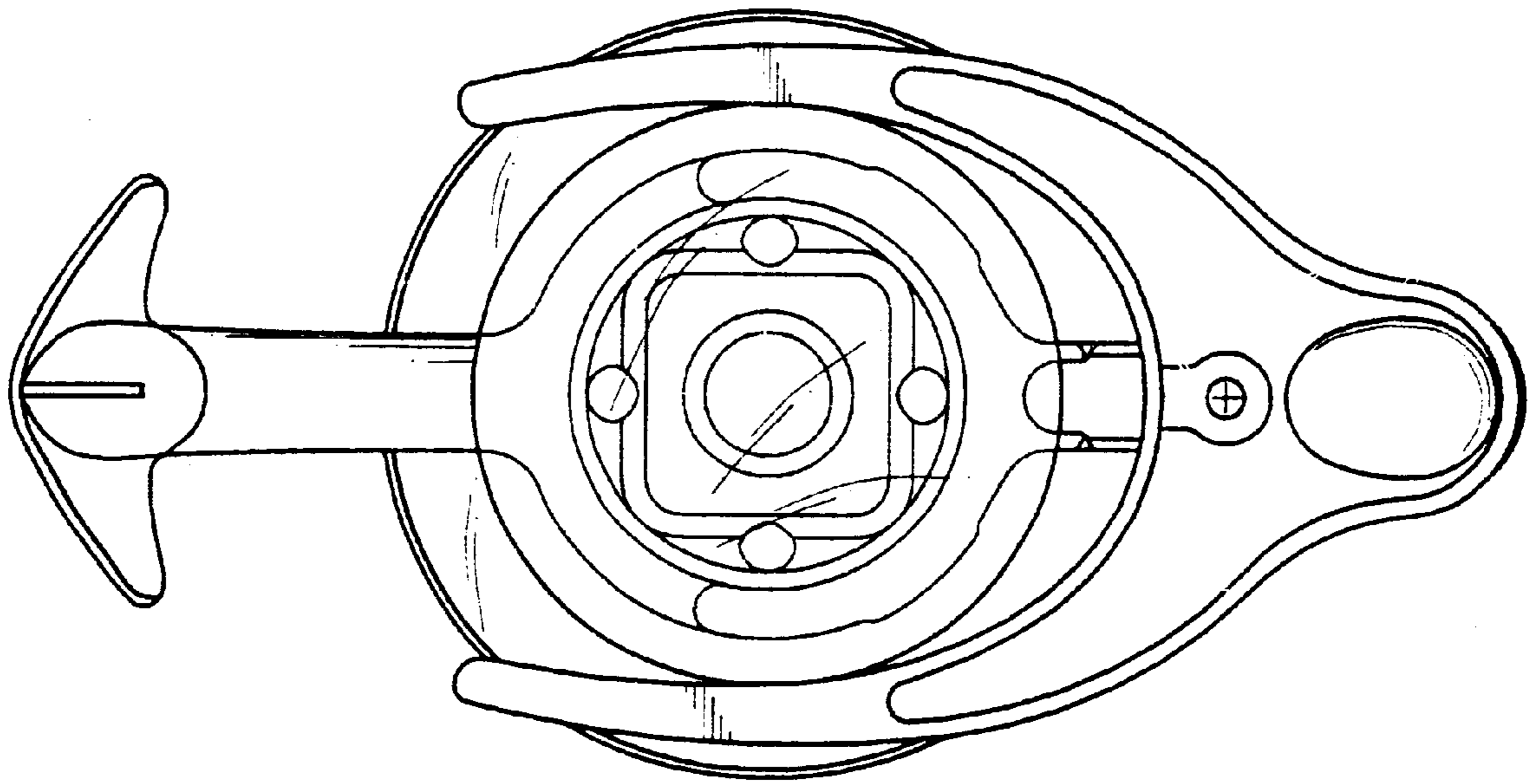


FIG. 7