



US00D453272S

(12) **United States Design Patent**
Meyer

(10) **Patent No.:** **US D453,272 S**

(45) **Date of Patent:** **** Feb. 5, 2002**

(54) **LOCKING DEVICE FOR A MULTIMEDIA CONTAINMENT SYSTEM**

(76) **Inventor:** **Arthur Meyer**, 1517 Goldfield St.,
Carson City, NV (US) 89701

(**) **Term:** **14 Years**

(21) **Appl. No.:** **29/072,022**

(22) **Filed:** **Jun. 3, 1997**

(51) **LOC (7) Cl.** **06-04**

(52) **U.S. Cl.** **D6/407; D8/330; D8/339;**
D8/343

(58) **Field of Search** **D3/201; D6/407,**
D6/627, 632, 634, 314; D14/121; 206/307,
387.12, 308.1, 387.15, 307.1; 211/40; 312/111;
D8/330, 339, 343

(56) **References Cited**

U.S. PATENT DOCUMENTS

D. 238,401	*	1/1976	Ackeret	D6/627
D. 262,415	*	12/1981	Gelardi et al.	D6/627
D. 285,986	*	10/1986	Huang	D6/627
D. 309,976	*	8/1990	Ackeret	D6/627
D. 325,468	*	4/1992	Ohba	D6/121
D. 363,632	*	10/1995	Ohta	D6/634

D. 371,244	*	7/1996	Weshler	D6/314
D. 376,506	*	12/1996	Swanick	D6/627
D. 390,825	*	2/1998	Chen	D13/110
D. 392,836	*	3/1998	Cheris et al.	D6/632
D. 393,394	*	4/1998	Roth et al.	D6/632
3,904,259	*	9/1975	Hoffmann et al.	312/111
4,538,729	*	9/1985	Ackeret	206/307
5,012,922	*	5/1991	Nehl	206/387.12
5,265,721	*	11/1993	Cstritis	206/308.1
5,597,068	*	1/1997	Weisburn et al.	206/308.1
5,725,105	*	3/1998	Boland	211/40

* cited by examiner

Primary Examiner—Celia Murphy

(57) **CLAIM**

I claim the ornamental design for a locking device for a multimedia containment system, as shown and described.

DESCRIPTION

FIG. 1 is a bottom perspective view of a locking device for a multimedia containment system showing my new design; and,

FIG. 2 is a top perspective view thereof.

The areas showing separations and brackets in the 2 figures are understood to represent indeterminate length.

1 Claim, 1 Drawing Sheet

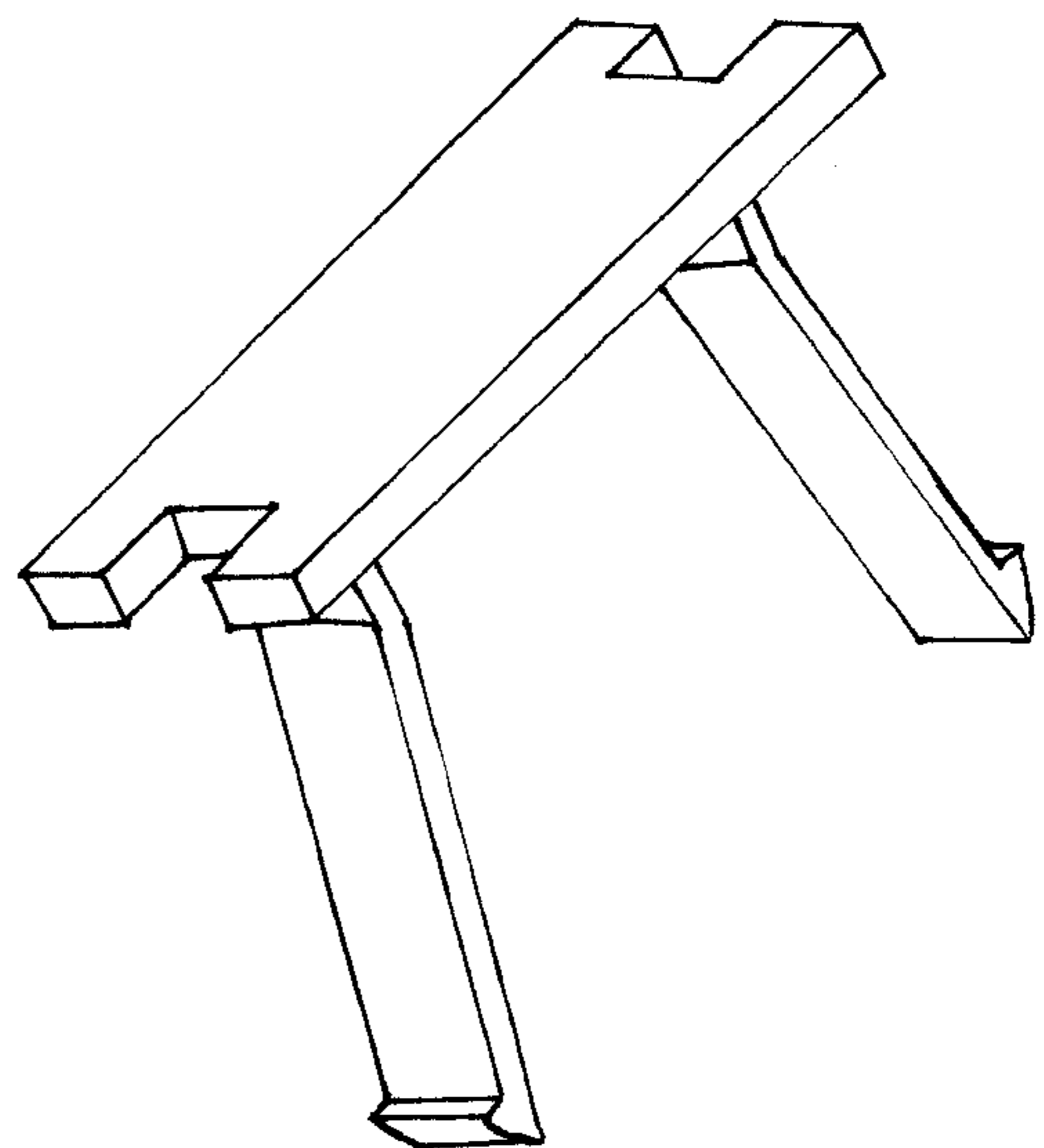
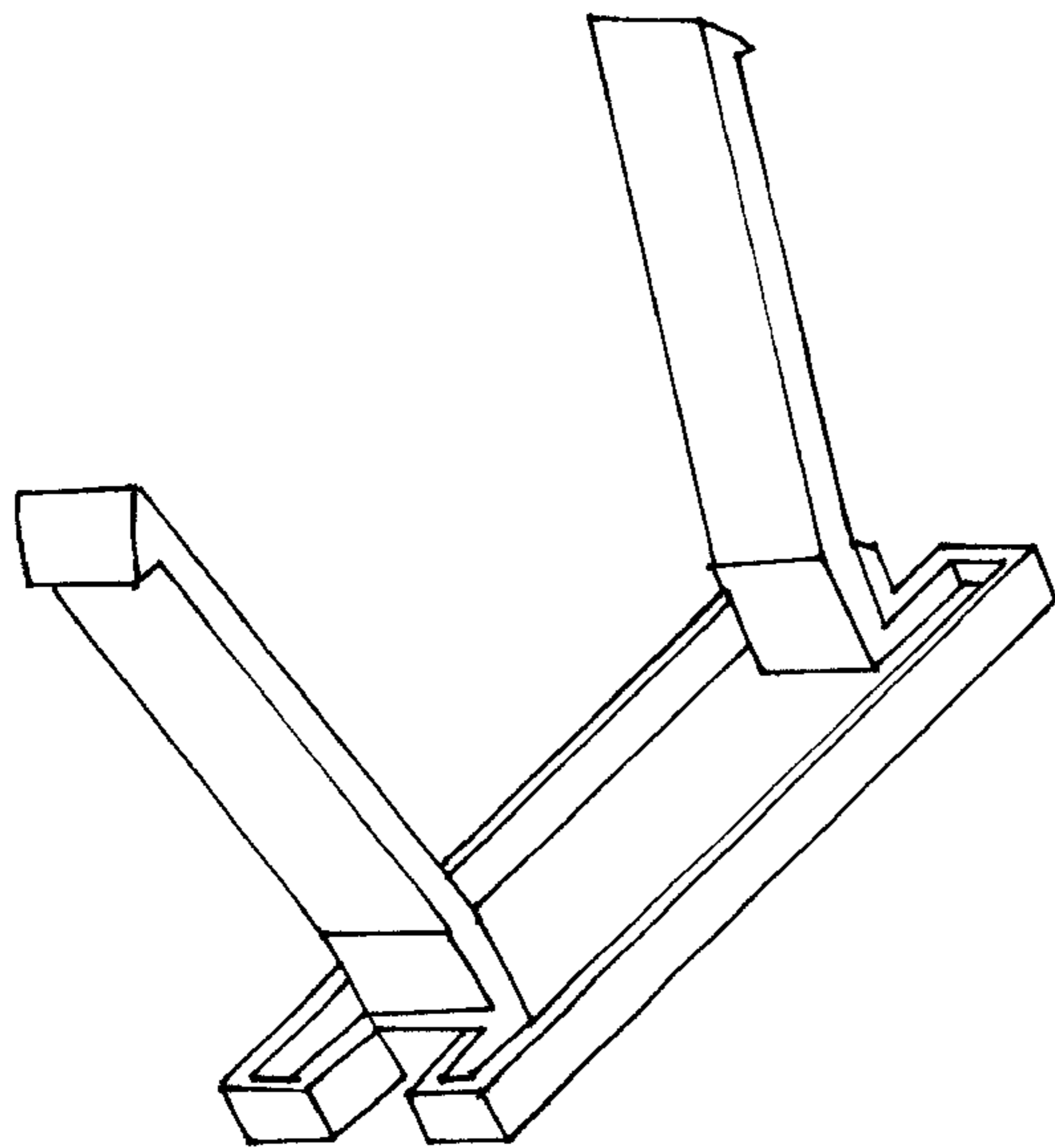


FIG 1

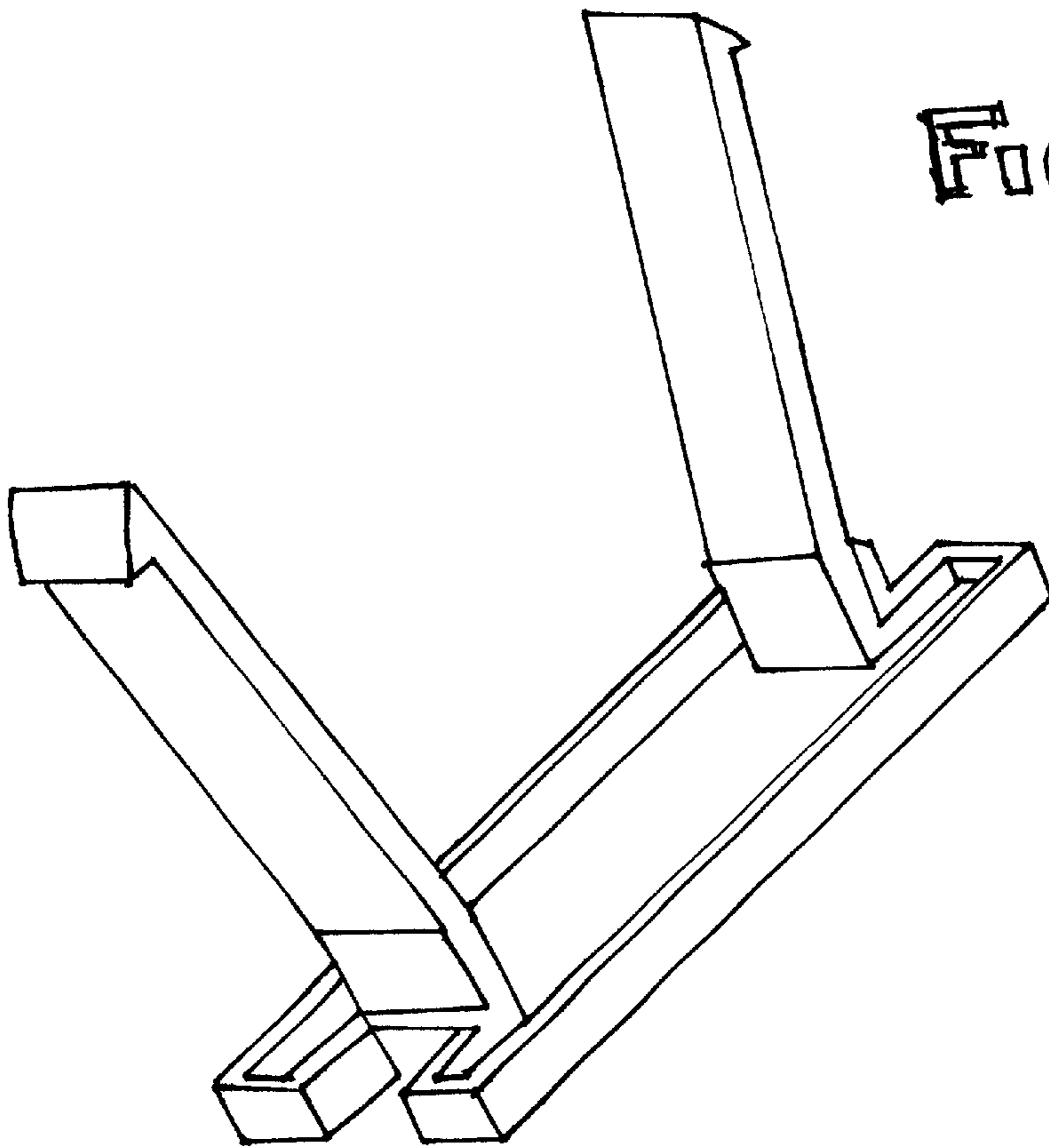


FIG 2

