



US00D453268S

(12) **United States Design Patent**
Snell

(10) **Patent No.:** **US D453,268 S**

(45) **Date of Patent:** **** Feb. 5, 2002**

(54) **BASKET**

5,746,346 A * 5/1998 Crilly 220/23.83

(75) Inventor: **Russell Benton Snell**, Bentleyville, OH (US)

OTHER PUBLICATIONS

Hong Kong Enterprise vol. 10 1999 p. 1076 items #365.*

(73) Assignee: **InterDesign, Inc.**, Solon, OH (US)

* cited by examiner

(**) Term: **14 Years**

Primary Examiner—Ian Simmons

Assistant Examiner—Deanne Levy

(21) Appl. No.: **29/144,015**

(74) *Attorney, Agent, or Firm*—D. Peter Hochberg; Katherine R. Vieyra; Sean Mellino

(22) Filed: **Jun. 22, 2001**

(57) **CLAIM**

(51) **LOC (7) Cl.** **03-01**

The ornamental design for a basket, as shown and described.

(52) **U.S. Cl.** **D3/304**

(58) **Field of Search** D3/304, 307-309, D3/201, 315, 311-313; 220/DIG. 12, DIG. 13, DIG. 14, 676, 669; D6/524-526, 540, 538, 553, 556, 562, 512; 211/13.1, 86.01, 87.01, 119.009

DESCRIPTION

FIG. 1 is a perspective view of the basket according to the invention;

FIG. 2 is a top view of the basket as shown in FIG. 1;

FIG. 3 is a front view of the basket as shown in FIG. 1; and

FIG. 4 is a side view of the basket as shown in FIG. 1;

FIG. 5 is a rear view of the basket as shown in FIG. 1;

FIG. 6 is a side view of the basket shown in FIG. 1, viewed from the opposite side from that shown in FIG. 1; and,

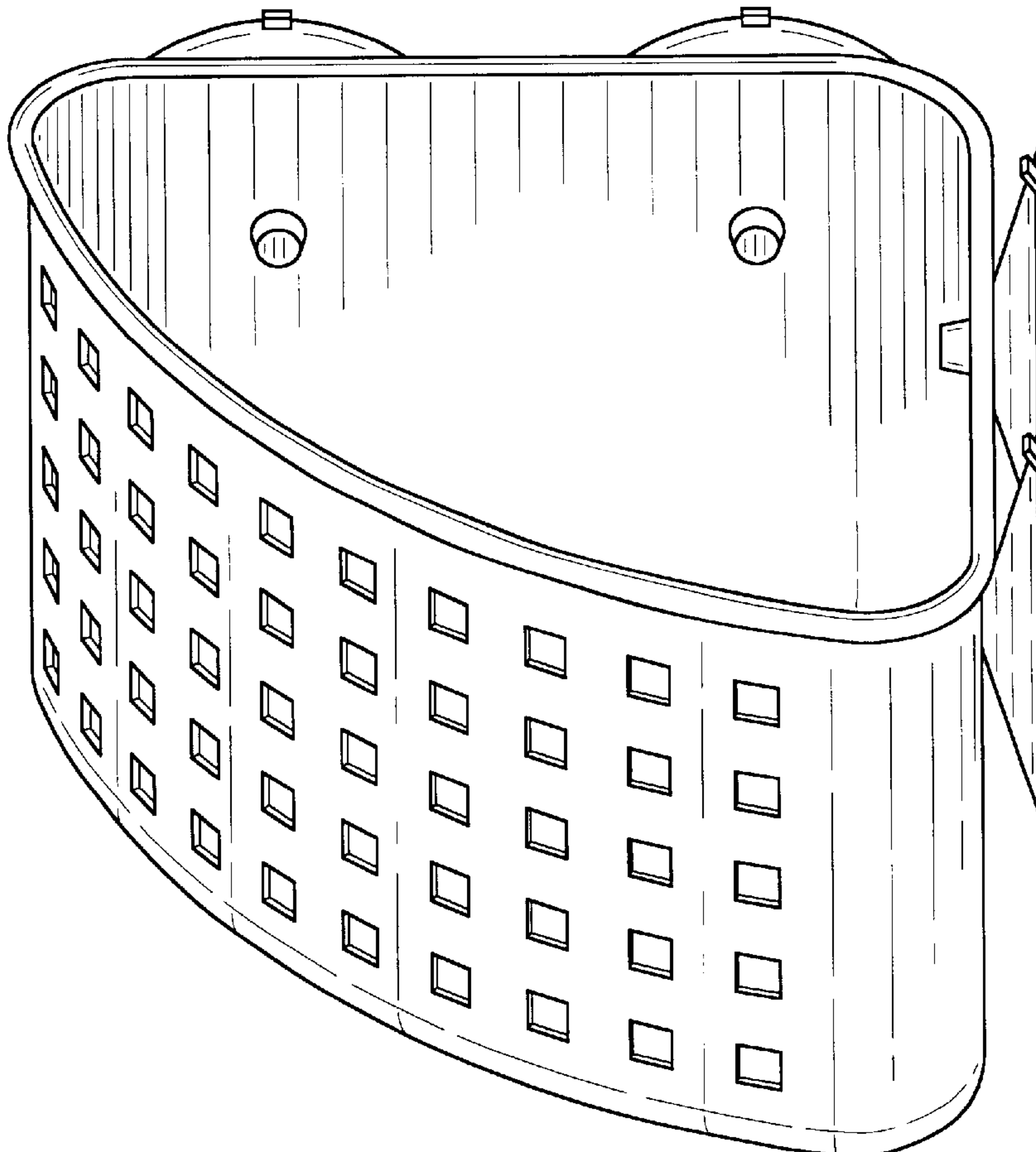
FIG. 7 is a bottom view of the basket as shown in FIG. 1.

(56) **References Cited**

U.S. PATENT DOCUMENTS

D330,963 S	*	11/1992	Hampshire	D3/313
D362,780 S	*	10/1995	Hampshire	D6/525
D379,412 S	*	5/1997	Hampshire	D6/562
D379,891 S	*	6/1997	Hampshire	D6/525
D388,993 S	*	1/1998	Hampshire	D6/567

1 Claim, 3 Drawing Sheets



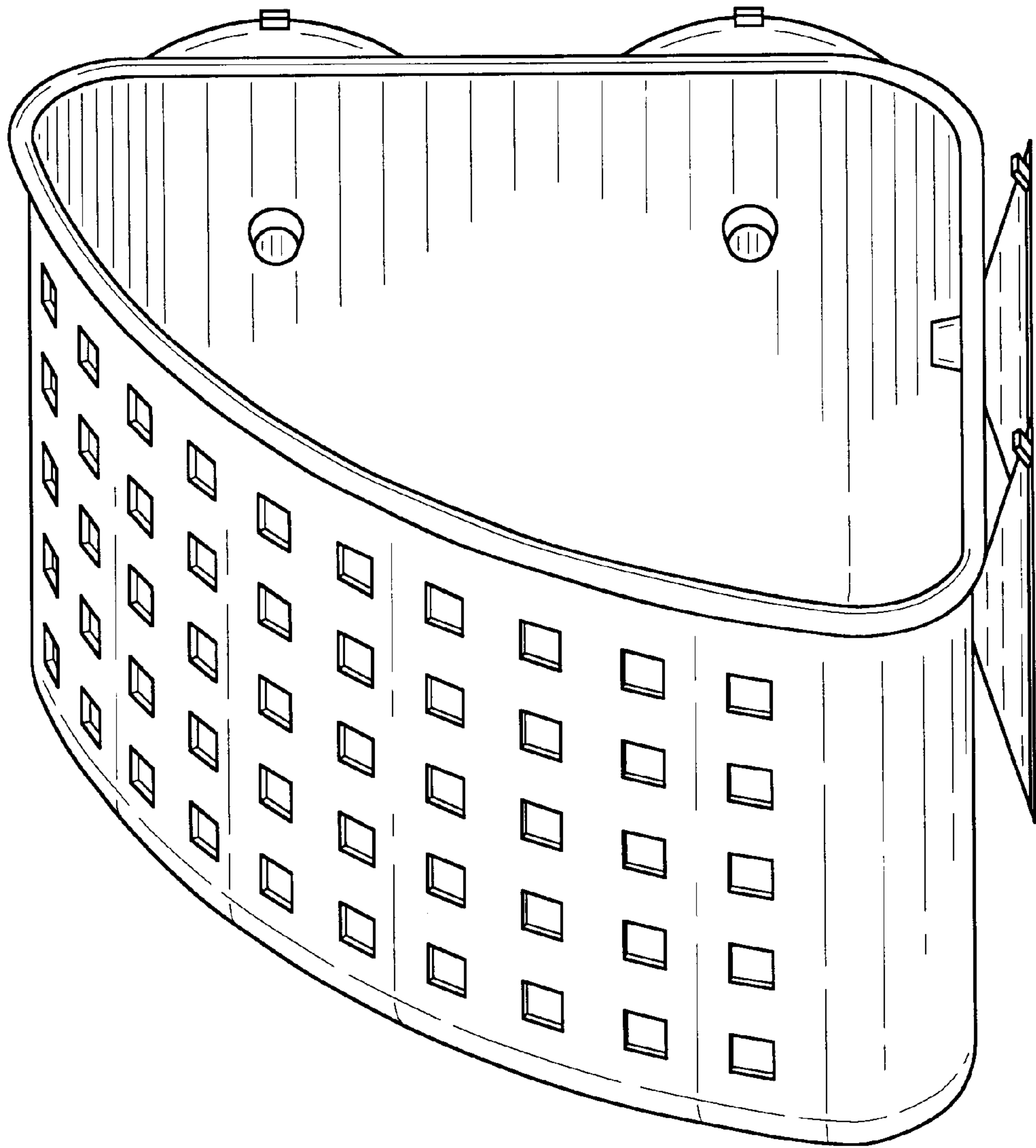


FIG-1

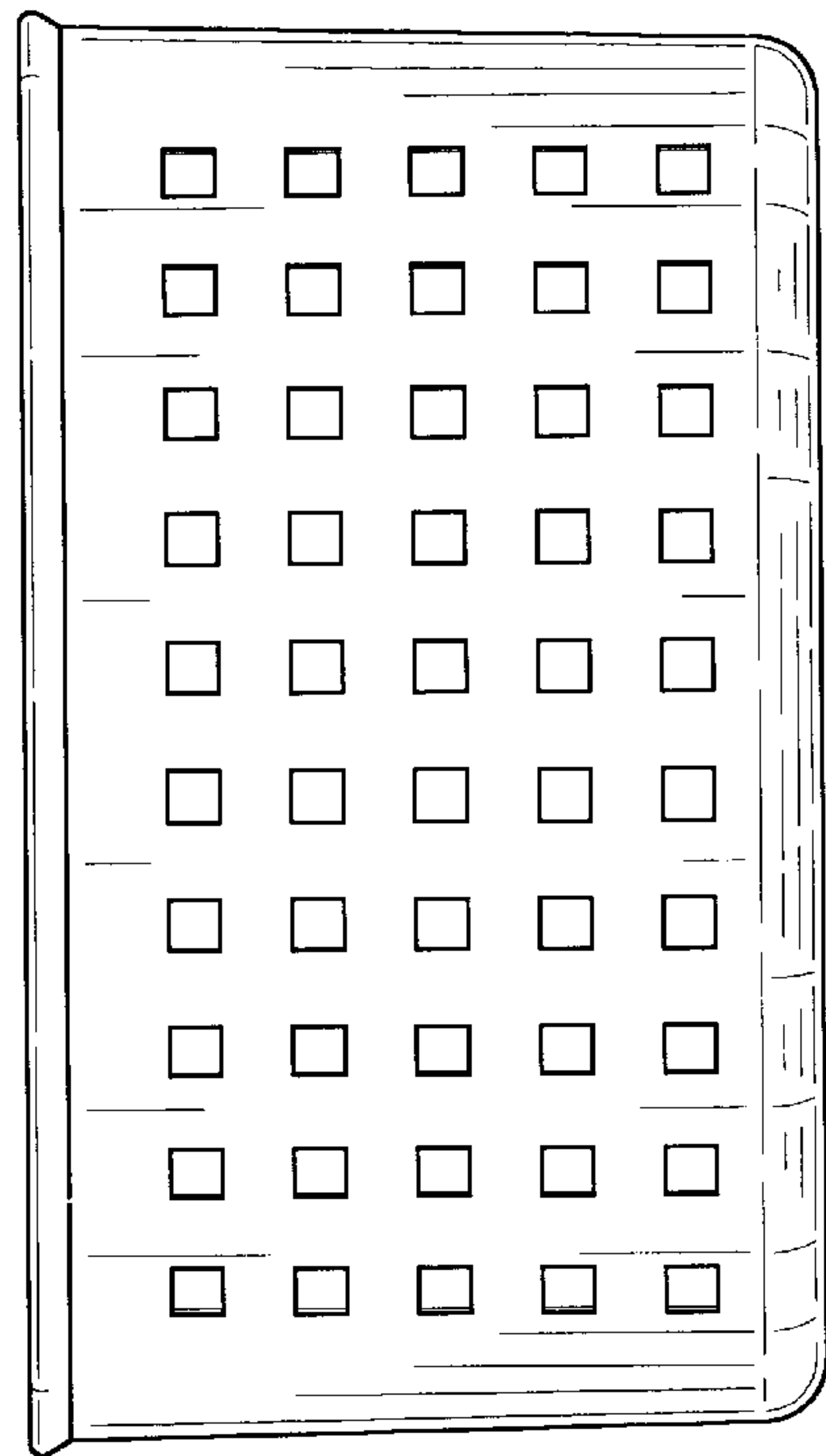
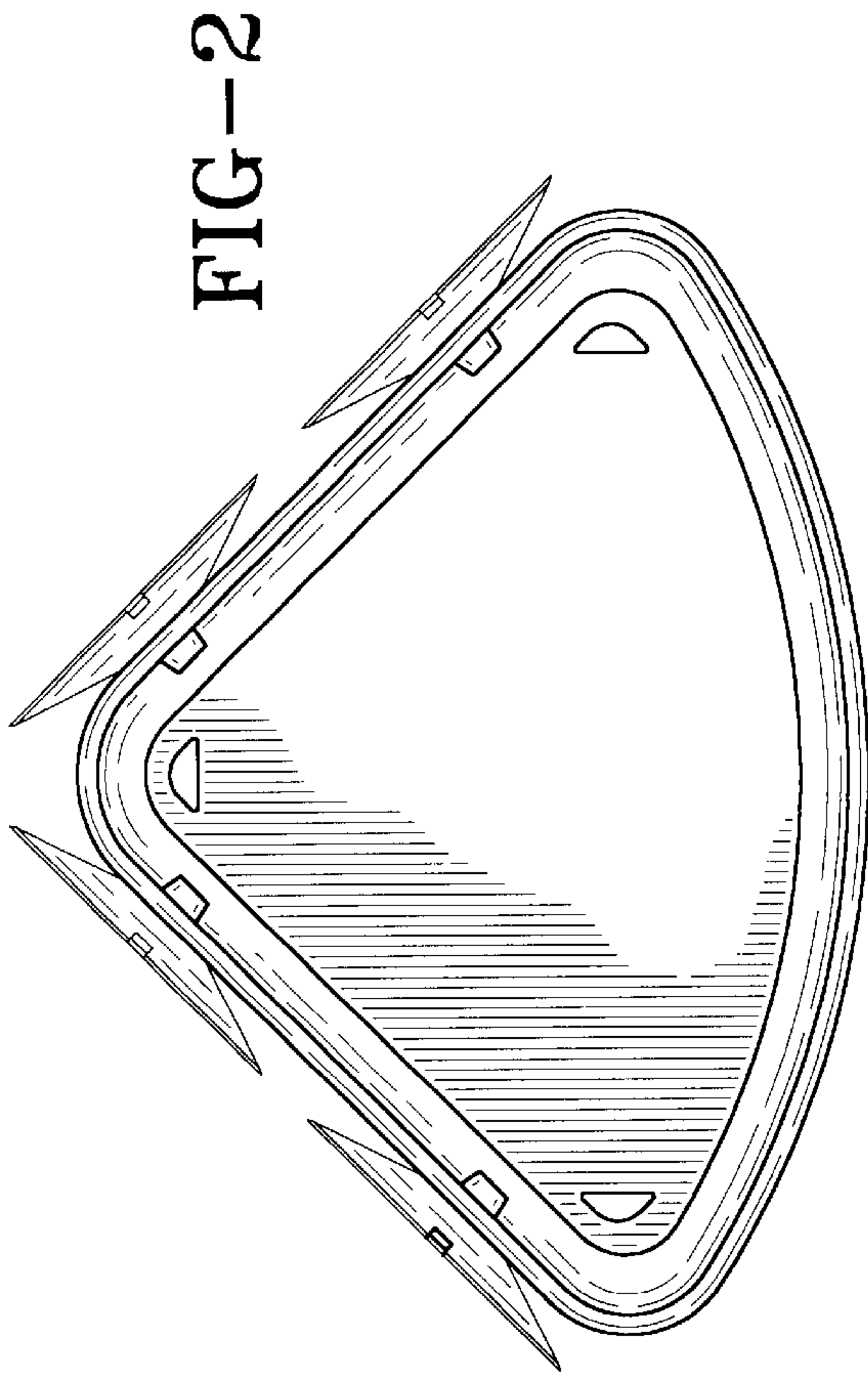


FIG-3

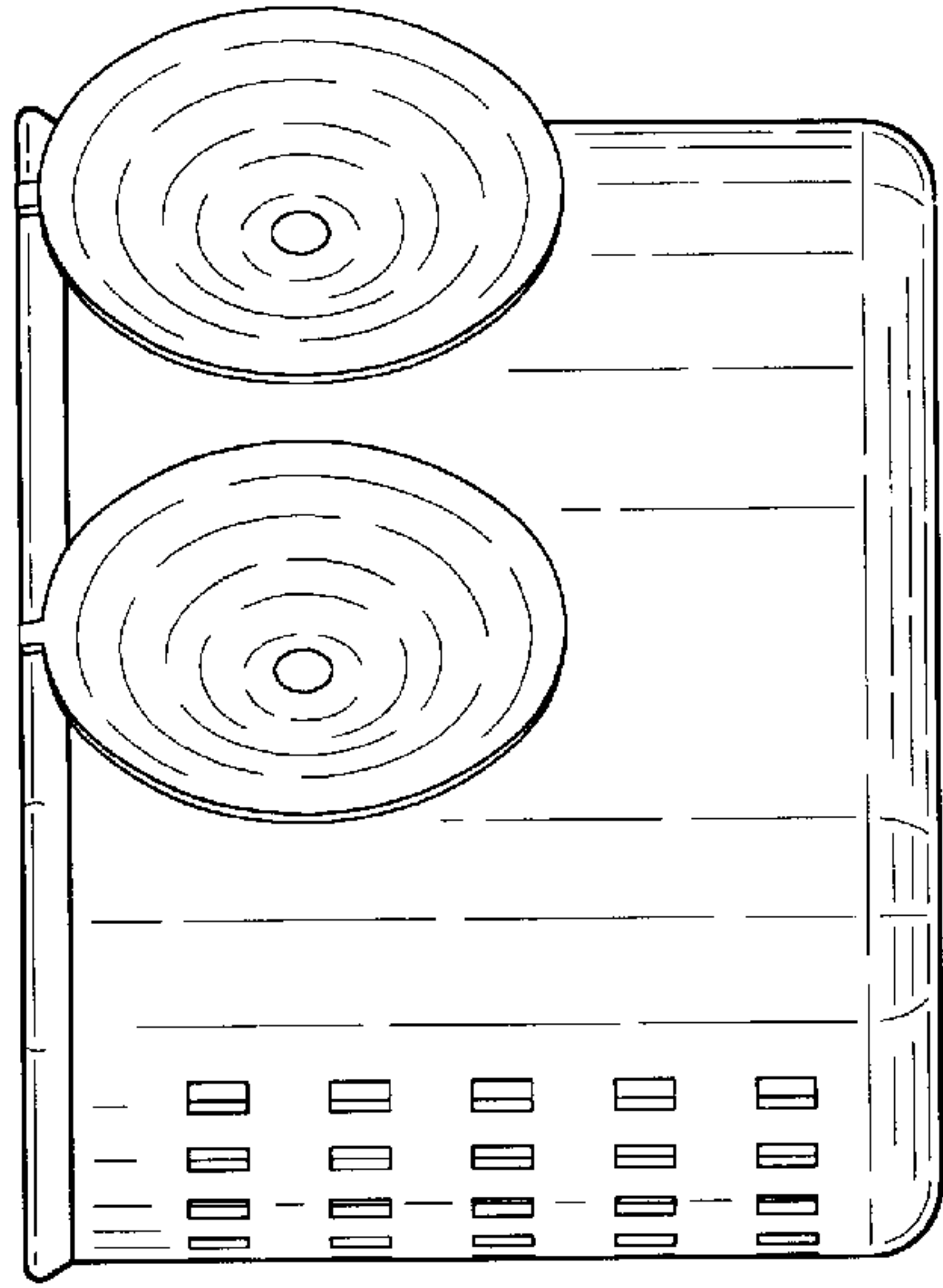


FIG-4

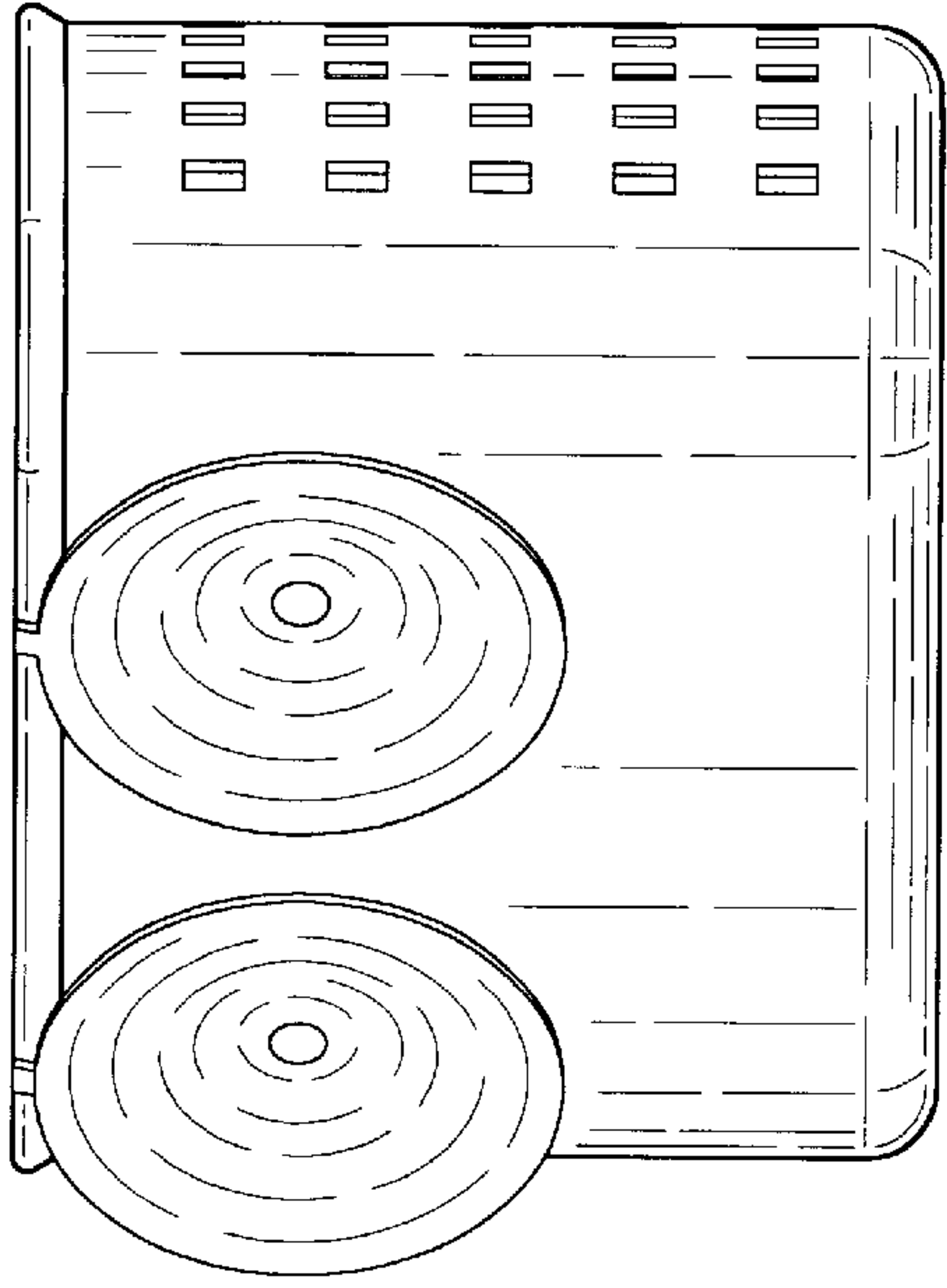


FIG-6

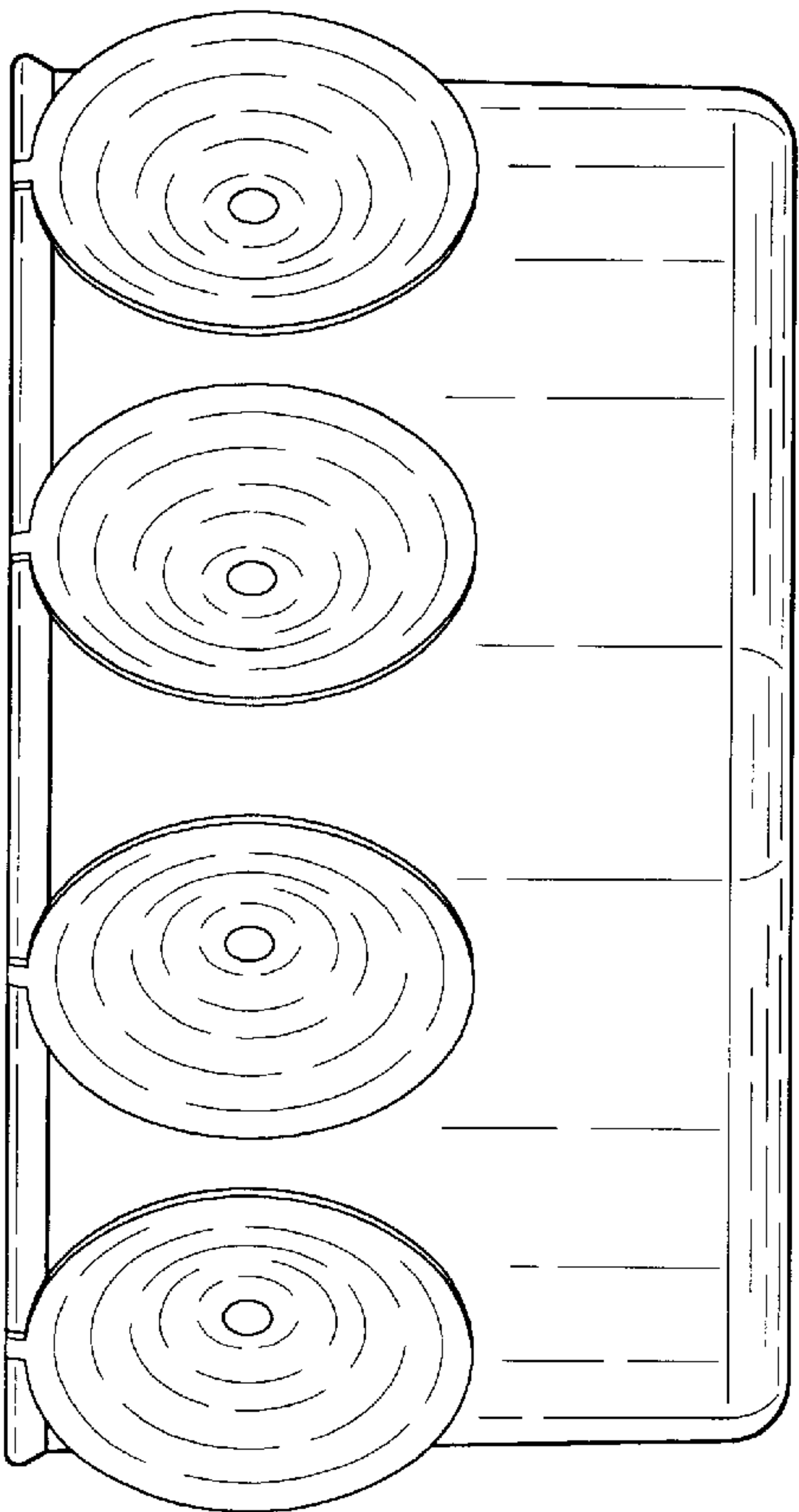


FIG-5

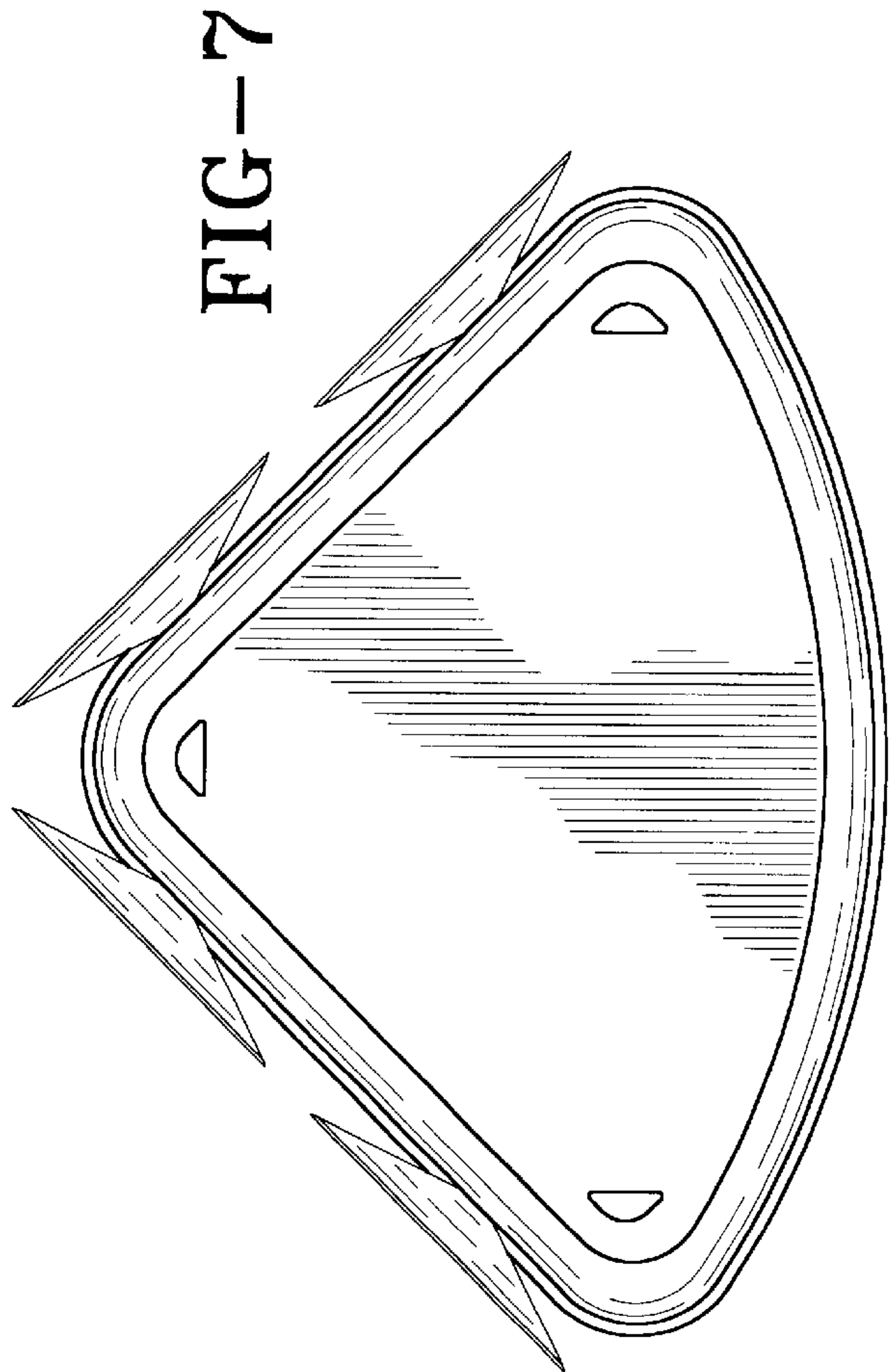


FIG-7