



US00D453264S

(12) **United States Design Patent**  
**Acevedo, Jr.**

(10) **Patent No.:** **US D453,264 S**

(45) **Date of Patent:** **\*\* Feb. 5, 2002**

(54) **POUCH FOR MEDICAL INHALER**

5,855,307 A 1/1999 Biddick et al. .... 224/267

(76) Inventor: **Benjamin Acevedo, Jr.**, 280 N. Drive,  
North Plainfield, NJ (US) 07060

\* cited by examiner

*Primary Examiner*—Catherine R. Oliver

(\*\*) Term: **14 Years**

(57) **CLAIM**

(21) Appl. No.: **29/139,459**

The ornamental design for a pouch for medical inhaler, as shown and described.

(22) Filed: **Mar. 30, 2001**

**DESCRIPTION**

(51) **LOC (7) Cl.** ..... **03-01**

FIG. 1 is a front elevational view of the pouch for medical inhaler of the present invention;

(52) **U.S. Cl.** ..... **D3/203; D3/226**

FIG. 2 is a rear elevational view of the pouch for medical inhaler of FIG. 1;

(58) **Field of Search** ..... D3/203, 201, 205,  
D3/215, 224, 226, 225, 230, 219, 220;  
224/683, 901, 904, 253, 267, 240; 150/118;  
222/175; 128/200.14, 205.22

FIG. 3 is a right side elevational view of the pouch for medical inhaler of FIG. 1;

FIG. 4 is a left side elevational view of the pouch for medical inhaler of FIG. 1;

(56) **References Cited**

FIG. 5 is a bottom plan view of the pouch for medical inhaler of FIG. 1; and,

**U.S. PATENT DOCUMENTS**

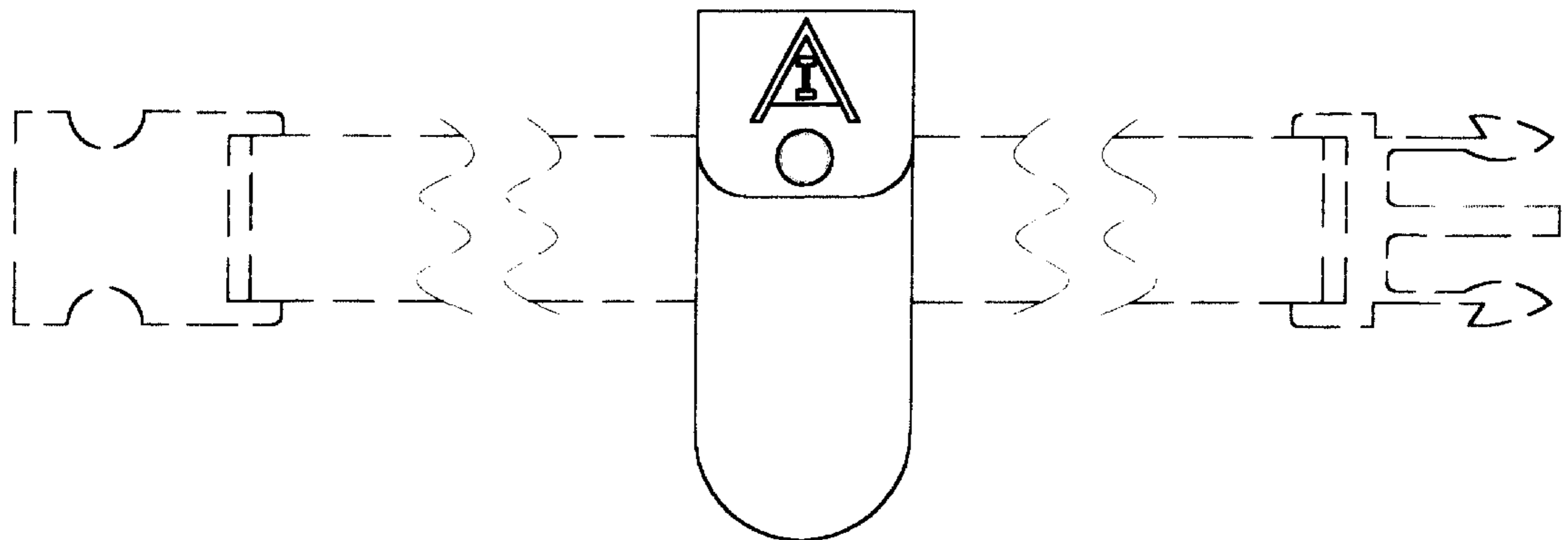
FIG. 6 is a top plan view of the pouch for medical inhaler of FIG. 1.

D266,205 S	*	9/1982	Berman	.....	D3/219
D291,627 S	*	9/1987	Collins	.....	D3/219 X
D360,073 S	*	7/1995	Schrader	.....	D3/226
5,443,192 A		8/1995	Hodges et al.	.....	224/253
D368,580 S	*	4/1996	Poindexter	.....	D3/215
D377,861 S		2/1997	Jacober	.....	D3/203
5,730,118 A		3/1998	Hermanson	.....	128/200.14
5,779,122 A		7/1998	Martinelli	.....	224/683
5,833,093 A		11/1998	Honaker et al.	.....	222/175

The broken line showing of a belt in the drawings is for illustrative purposes only and forms no part of the claimed design.

The broken line belt shown broken away to indicate indeterminate length.

**1 Claim, 3 Drawing Sheets**



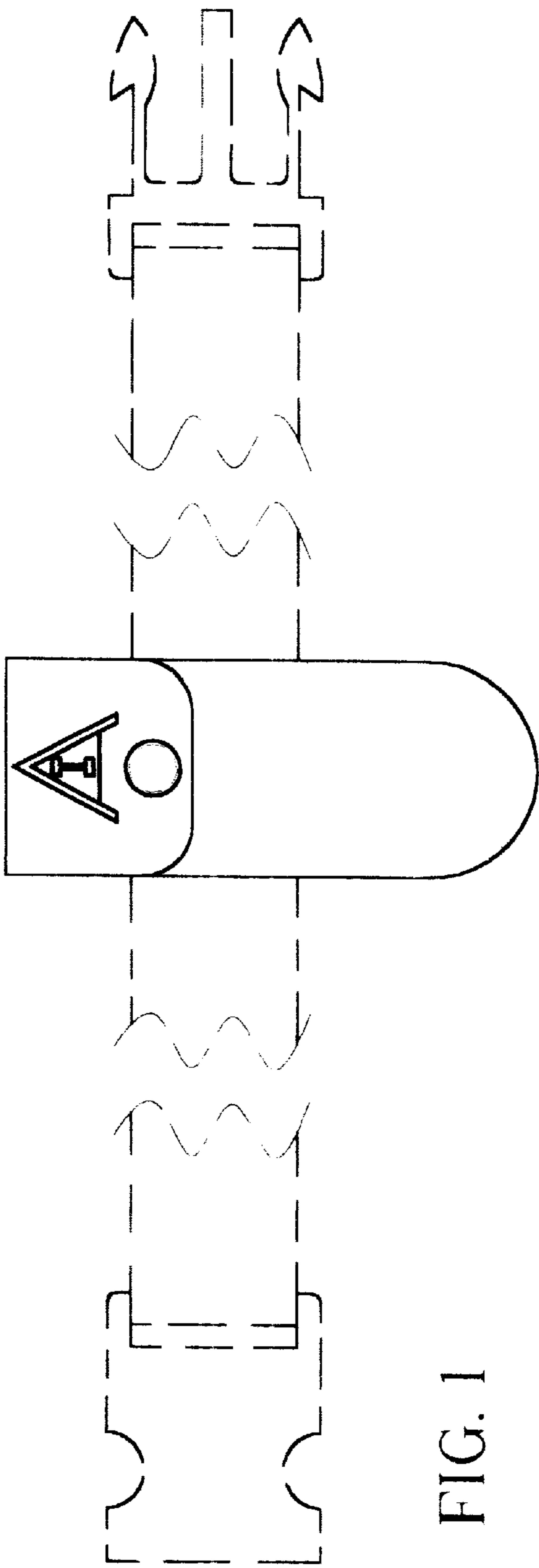


FIG. 1

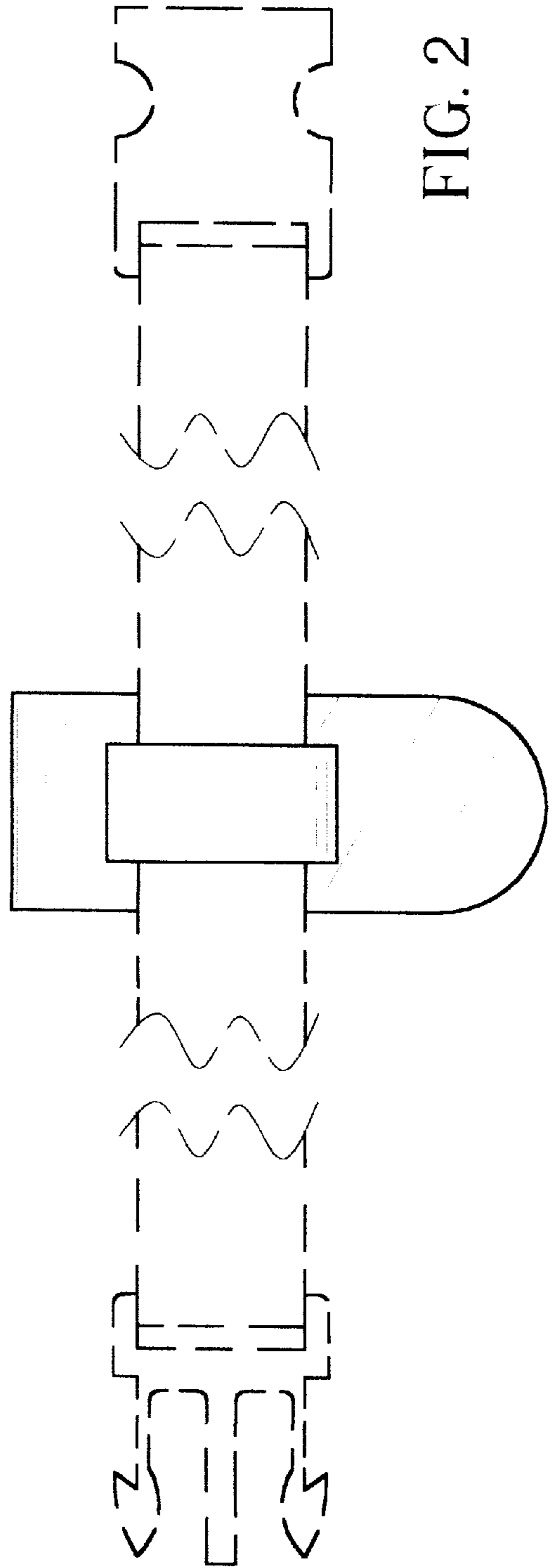


FIG. 2

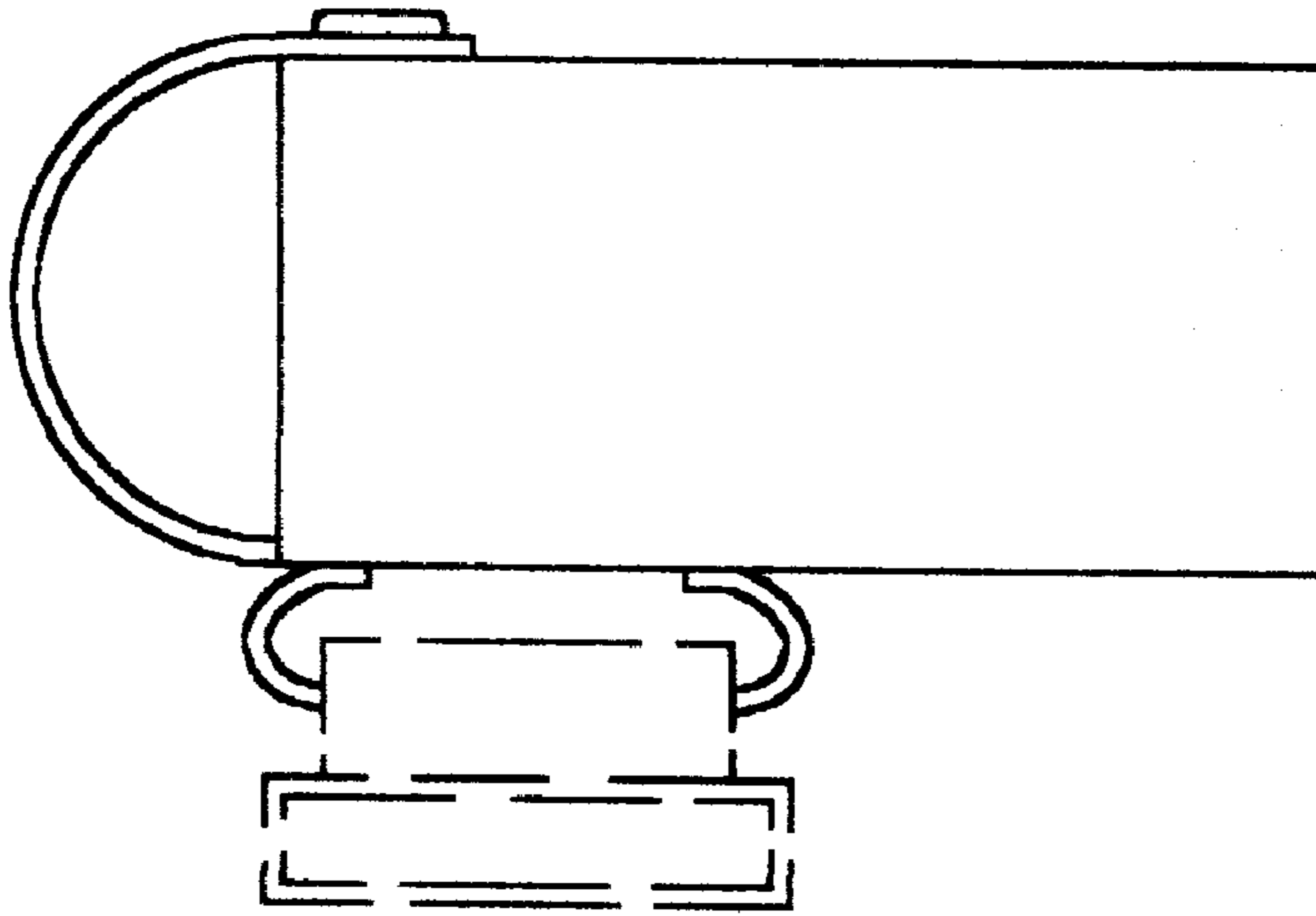


FIG. 4

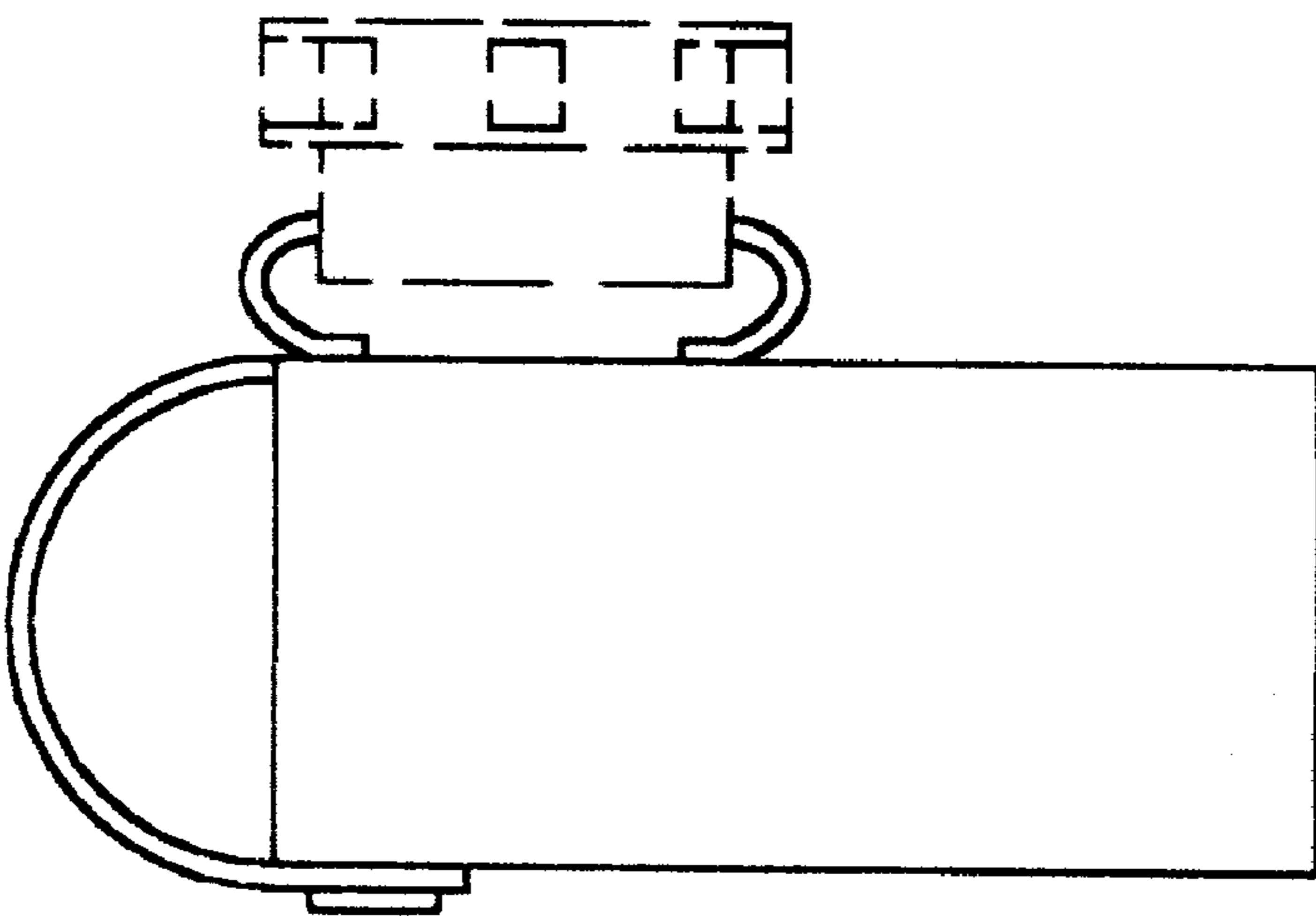


FIG. 3

FIG. 5

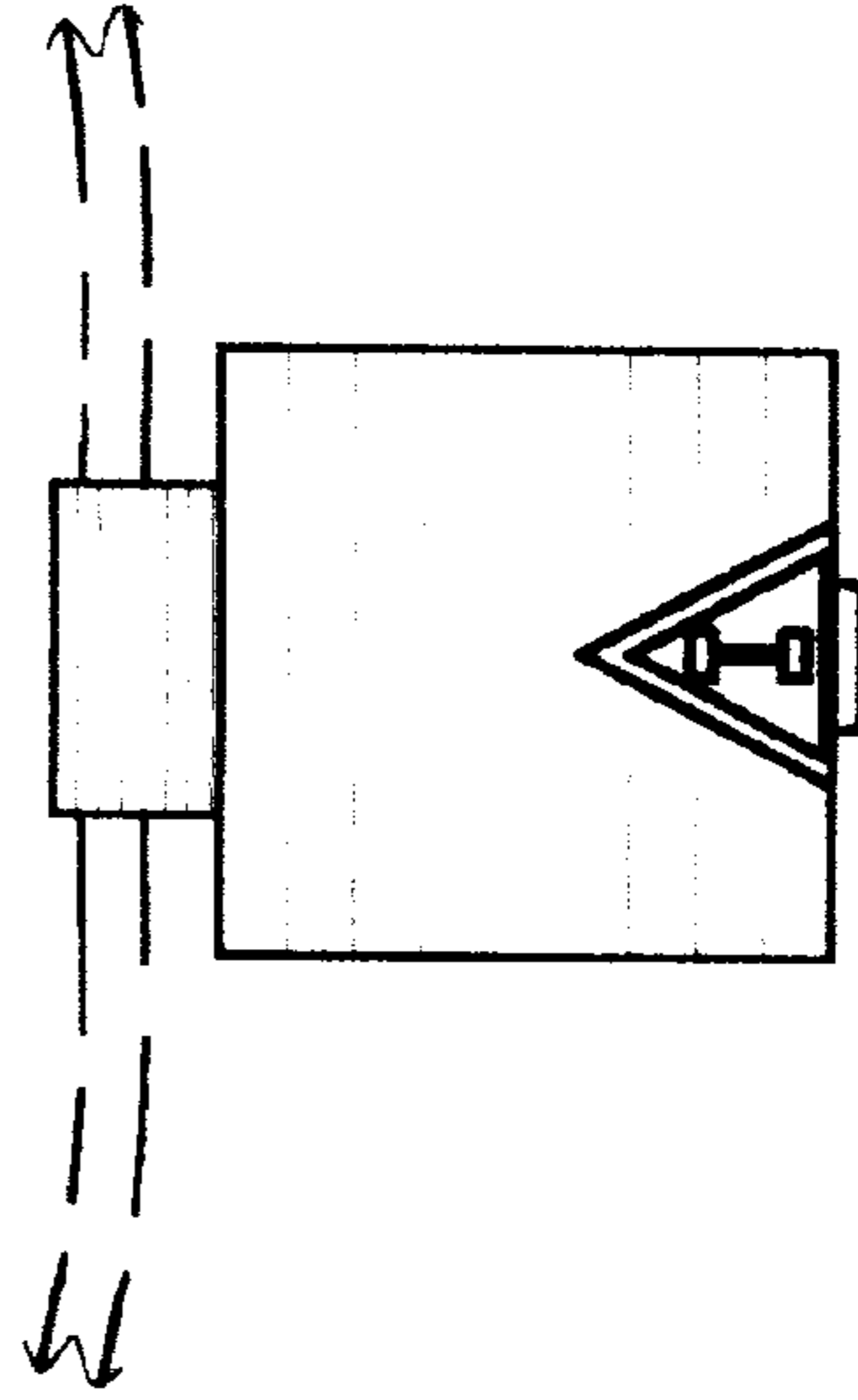
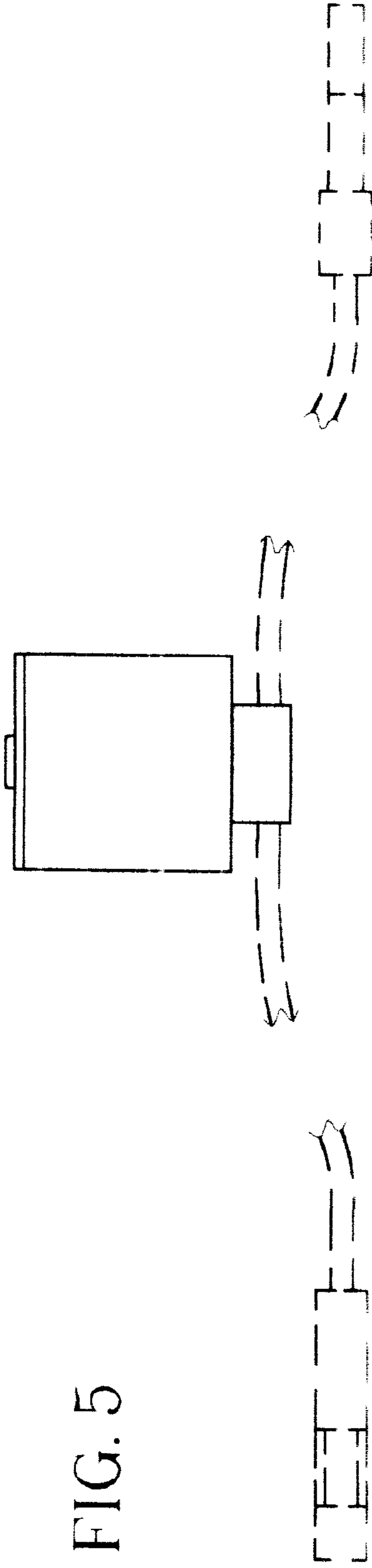


FIG. 6