



US00D453263S

(12) **United States Design Patent**
Wogan

(10) **Patent No.:** **US D453,263 S**

(45) **Date of Patent:** **** Feb. 5, 2002**

(54) **CONDIMENT HOLDER FOR UMBRELLA POLE**

5,715,954 A * 2/1998 Zaremba 211/107
5,803,265 A 9/1998 Bergerman
5,848,712 A 12/1998 Weir
D409,369 S * 5/1999 Vega D3/5

(76) Inventor: **Craig S Wogan**, 331 Bunkerhill Rd.,
New Castle, ME (US) 04553

* cited by examiner

(**) Term: **14 Years**

Primary Examiner—Lucy Lieberman

(21) Appl. No.: **29/142,492**

(57) **CLAIM**

(22) Filed: **May 25, 2001**

The ornamental design for a condiment holder for umbrella pole, as shown and described.

(51) **LOC (7) Cl.** **03-03**

DESCRIPTION

(52) **U.S. Cl.** **D3/10; D7/501**

(58) **Field of Search** D3/10, 5; D6/509,
D6/511; D7/501; 211/163, 107, 144, 133.4;
108/50.12; 135/16; 312/249.2

FIG. 1 is a front elevational view of a condiment holder for umbrella pole of the present invention, the left, right and rear views being a mirror image thereof;

(56) **References Cited**

U.S. PATENT DOCUMENTS

D155,949 S * 11/1949 Wiley et al. D7/501
3,331,515 A * 7/1967 Lange D7/501
3,414,133 A * 12/1968 Guerri et al. 211/107
D256,871 S * 9/1980 Snyder D7/501
D291,635 S 9/1987 Dickman
5,171,077 A 12/1992 Jondahl et al.
5,322,023 A 6/1994 Hammond
5,335,803 A 8/1994 O'brien et al.
5,493,976 A * 2/1996 Hammond 108/50.12

FIG. 2 is a top plan view of the condiment holder for umbrella pole of FIG. 1;

FIG. 3 is a bottom plan view of the condiment holder for umbrella pole of FIG. 1; and,

FIG. 4 is a top, front perspective view of the condiment holder for umbrella pole of FIG. 1.

The broken lines showing an umbrella pole in FIG. 4 are for illustrative purposes only and form no part of the claimed design.

1 Claim, 2 Drawing Sheets

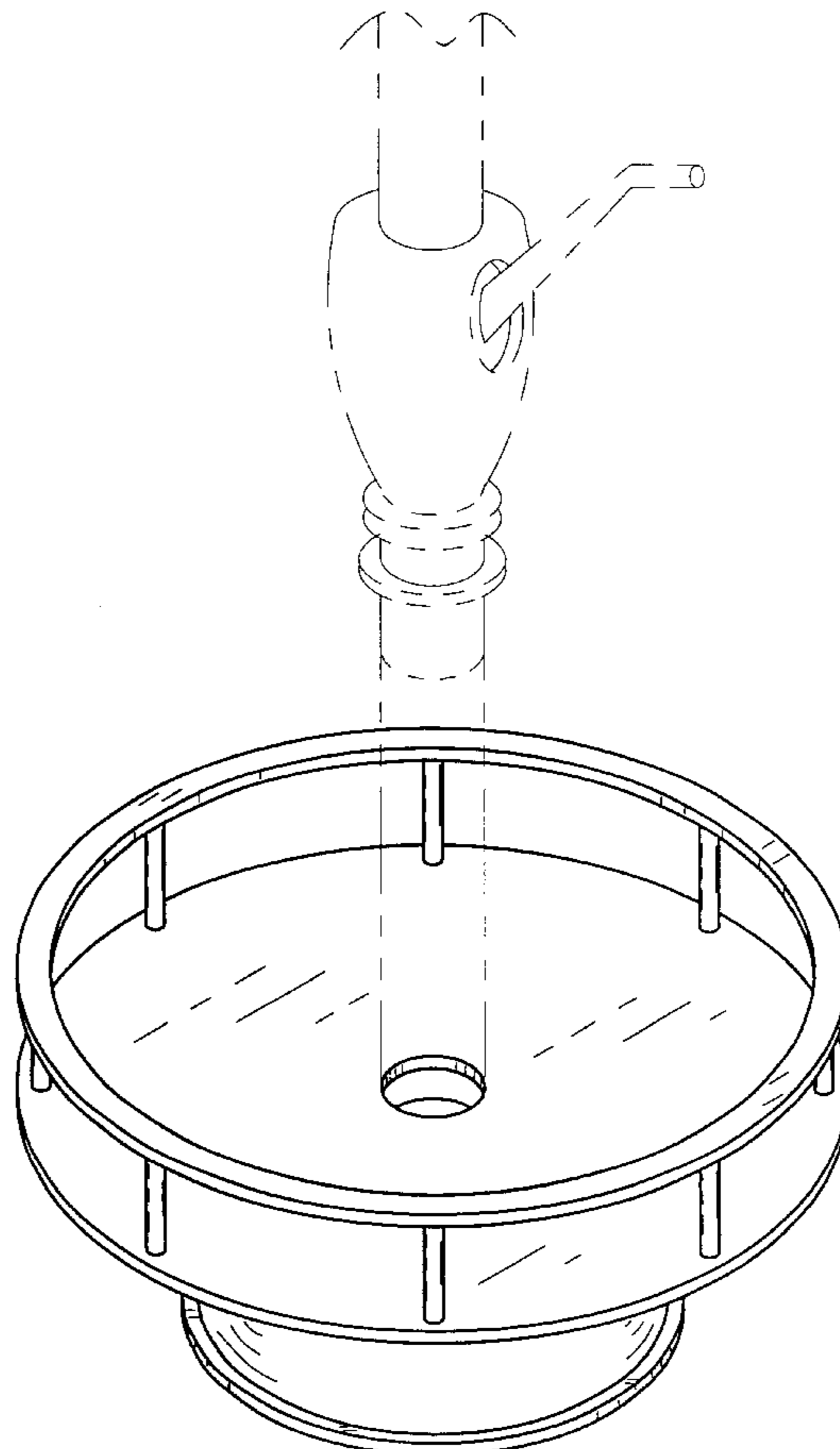


FIG. 1

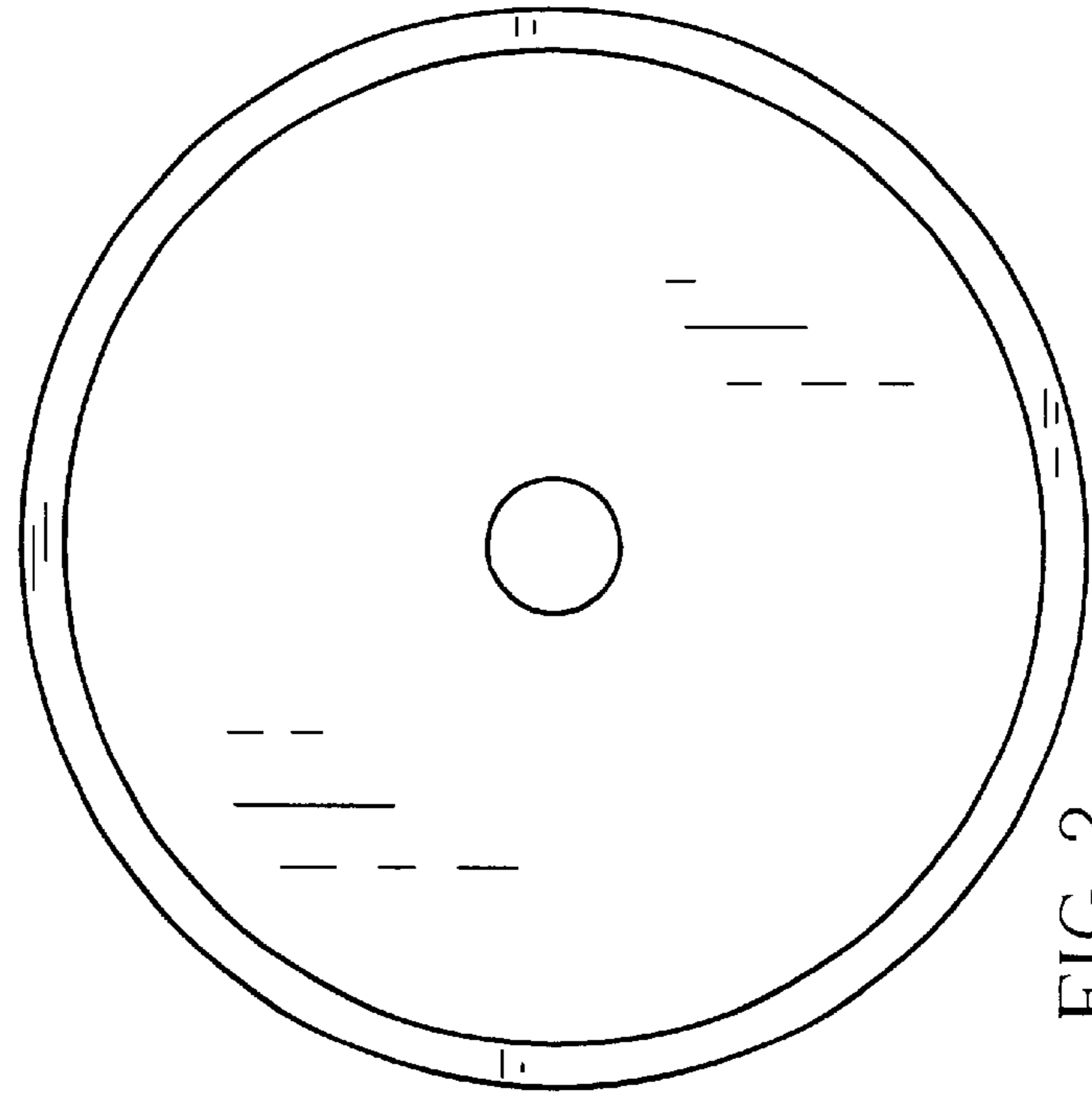
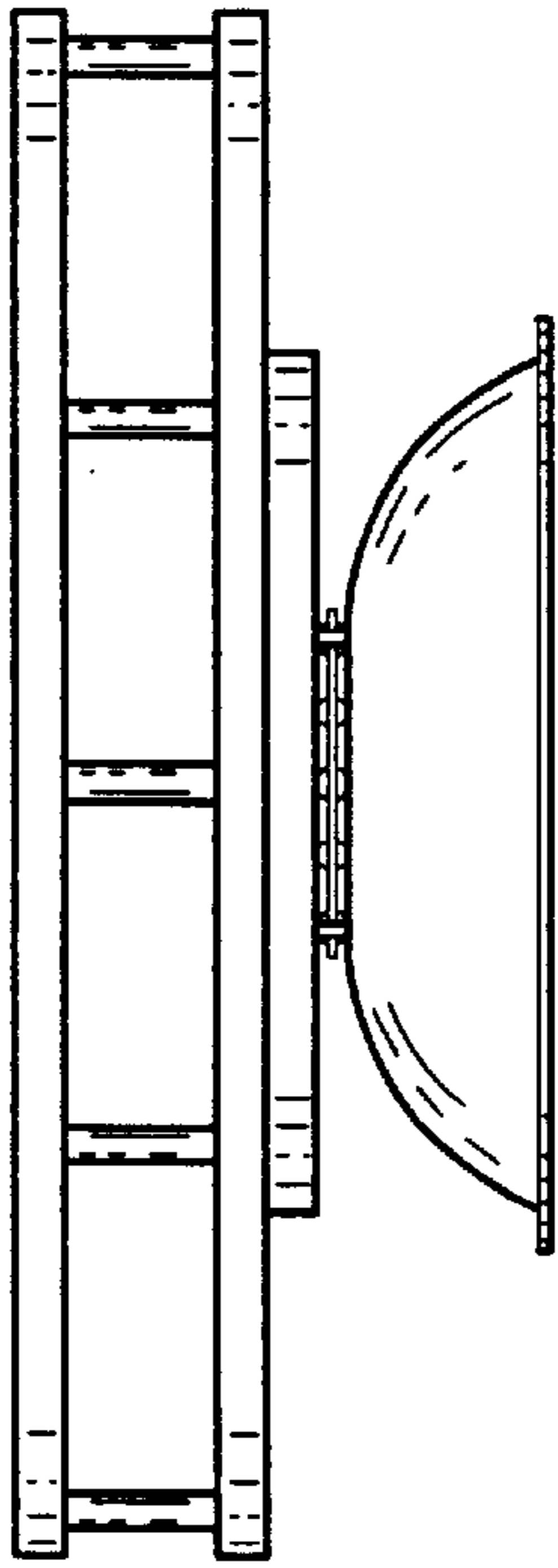


FIG. 2

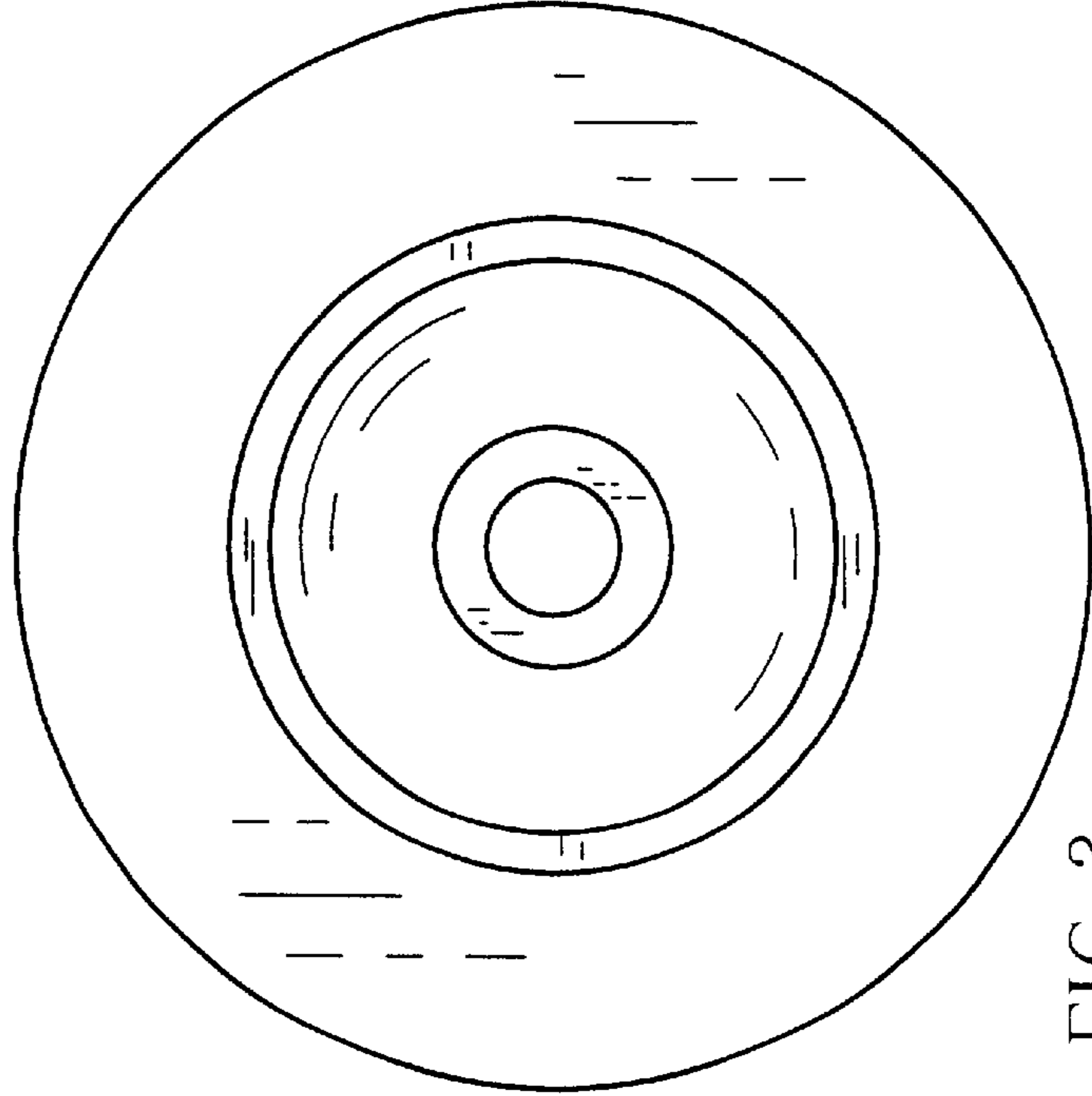


FIG. 3

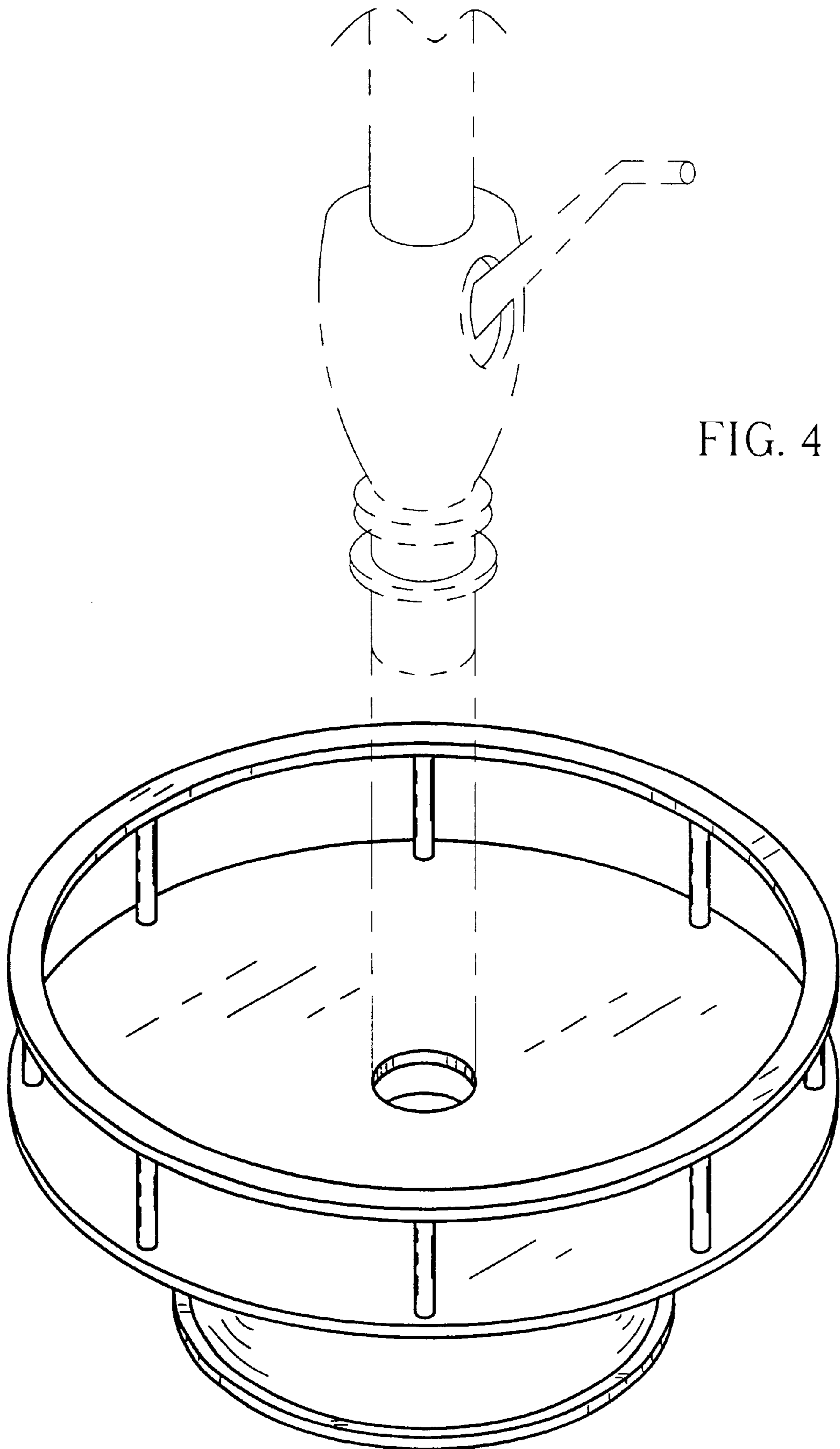


FIG. 4