



US00D453254S

(12) **United States Design Patent**
Potter

(10) **Patent No.:** **US D453,254 S**

(45) **Date of Patent:** **** Jan. 29, 2002**

(54) **PROPERTY ADDRESS HOLDER**

(76) Inventor: **Terry V. Potter**, 2205 Laurel Lake Dr.,
Suwanee, GA (US) 30024

(**) Term: **14 Years**

(21) Appl. No.: **29/132,660**

(22) Filed: **Nov. 13, 2000**

(51) **LOC (7) Cl.** **99-00**

(52) **U.S. Cl.** **D99/43**

(58) **Field of Search** D99/29, 43, 30,
D99/31, 32, 33; D20/15, 17; 40/618, 518;
232/17, 18, 19, 46, 33

(56) **References Cited**

U.S. PATENT DOCUMENTS

3,590,507 A	*	7/1971	Wren	40/618 X
D320,815 S	*	10/1991	Frost	D20/17
D327,506 S	*	6/1992	Bartholomai et al.	D20/10
5,323,959 A	*	6/1994	Draper	232/33

* cited by examiner

Primary Examiner—Paula A. Mortimer

(74) *Attorney, Agent, or Firm*—Hinkle & Associates, PC

(57) **CLAIM**

The ornamental design for a property address holder, as shown and described.

DESCRIPTION

FIG. 1 is a perspective view of a property address holder showing my new design;

FIG. 2 is a perspective view of the property address holder shown mounted on a mailbox;

FIG. 3 is a top plan view thereof;

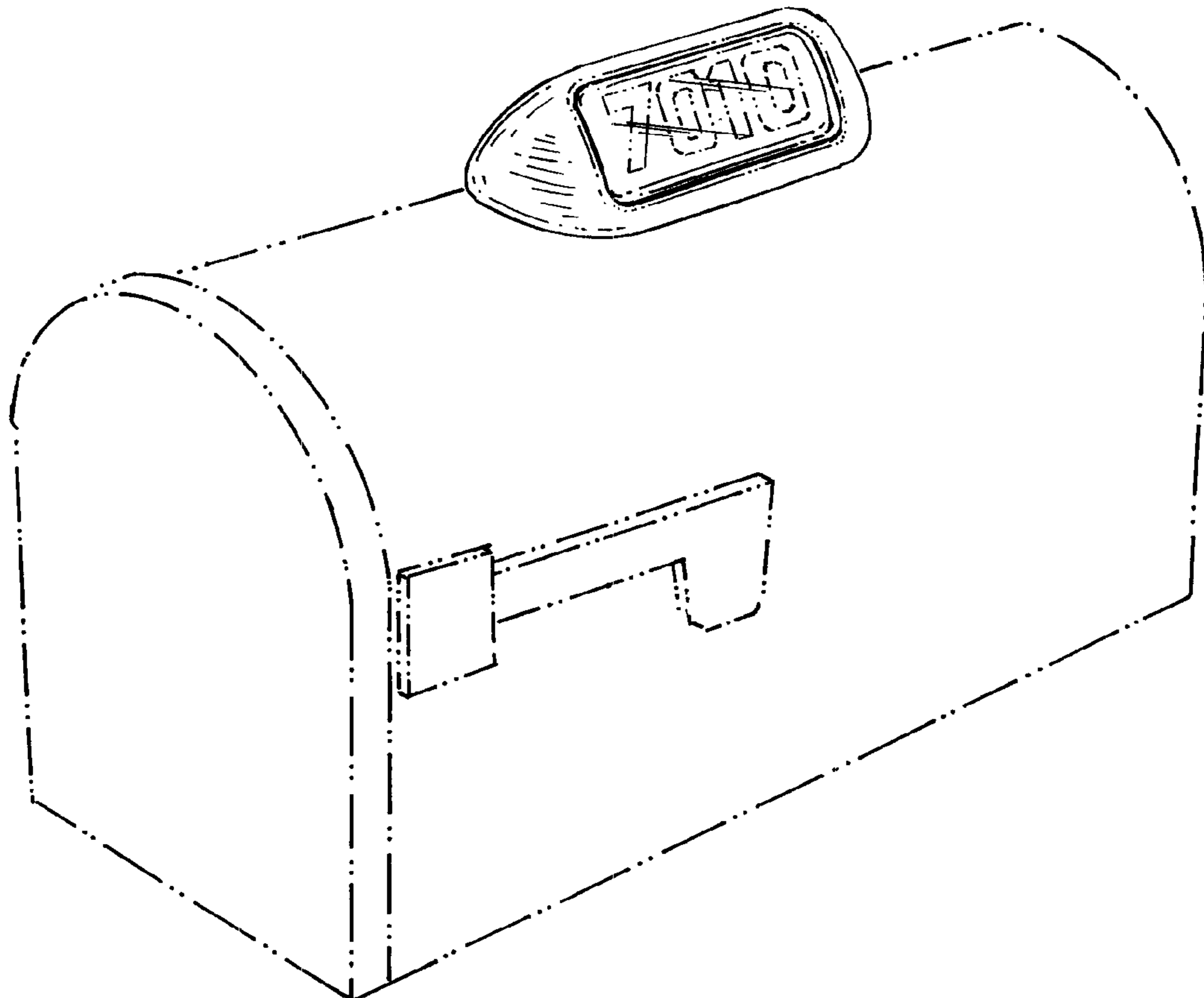
FIG. 4 is a front elevation view thereof, the opposite side being a mirror image;

FIG. 5 is a bottom plan view thereof; and,

FIG. 6 is an end elevation view thereof; the opposite end being a mirror image.

The broken line showing of a mailbox is for illustrative environmental purposes only and forms no part of the claimed design.

1 Claim, 3 Drawing Sheets



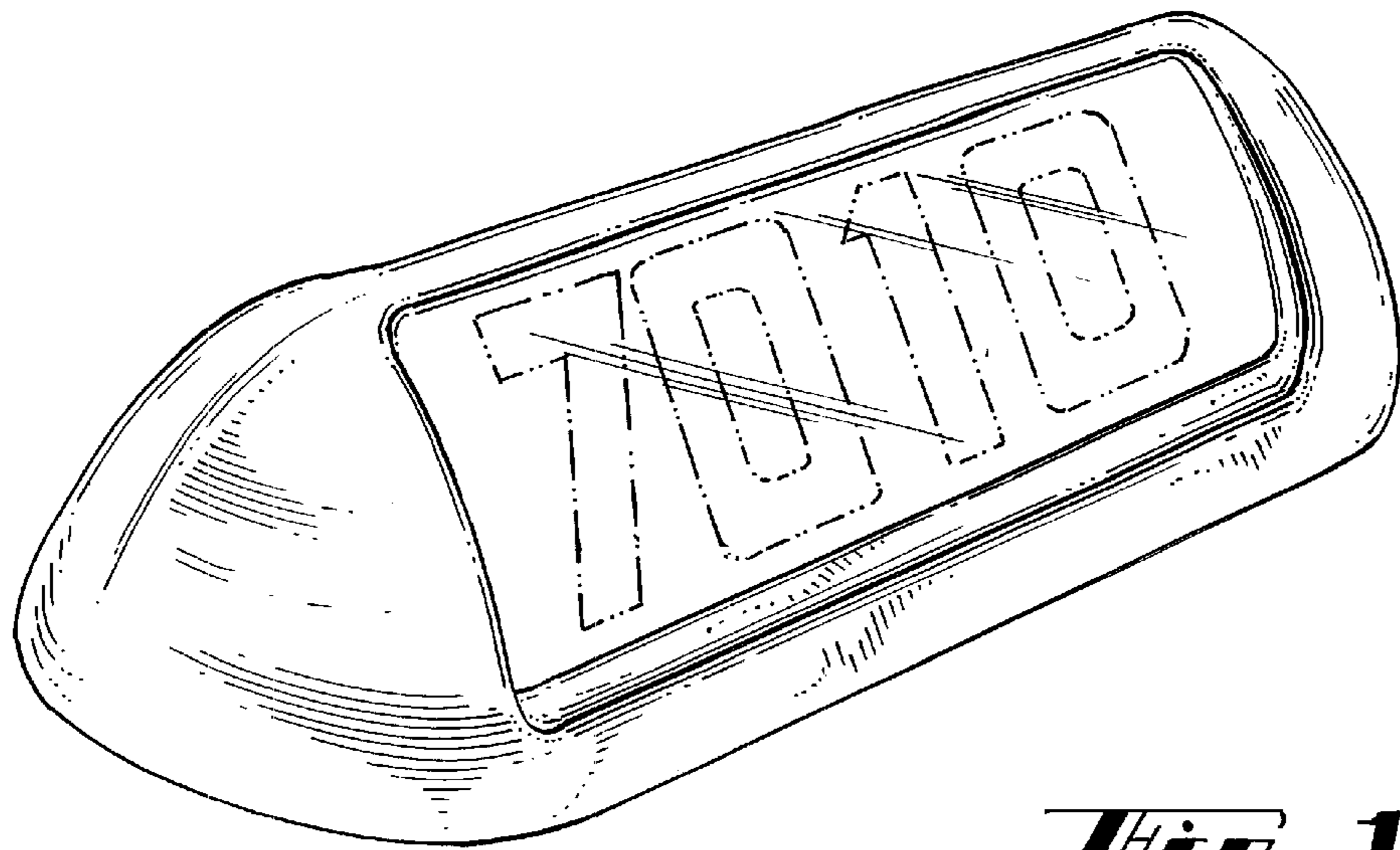


Fig. 1

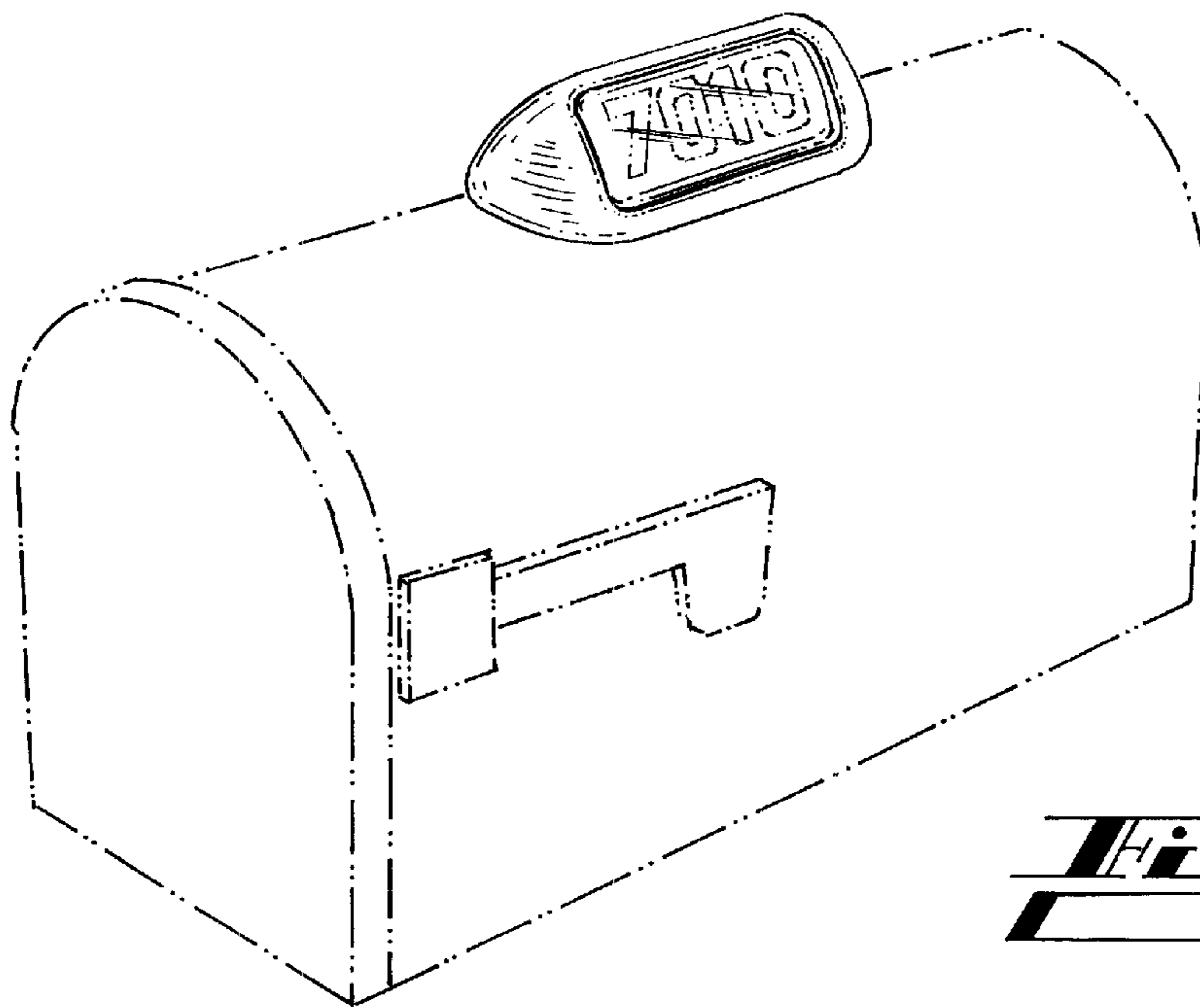


Fig. 2

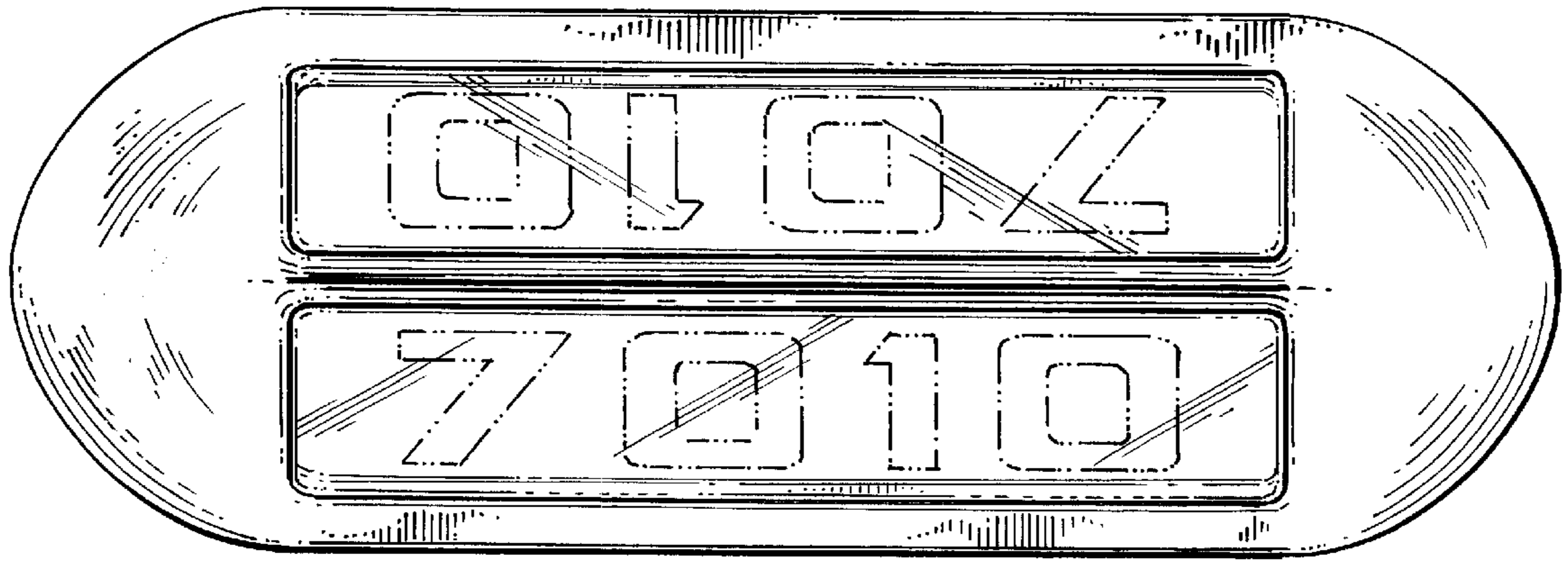


Fig. 3

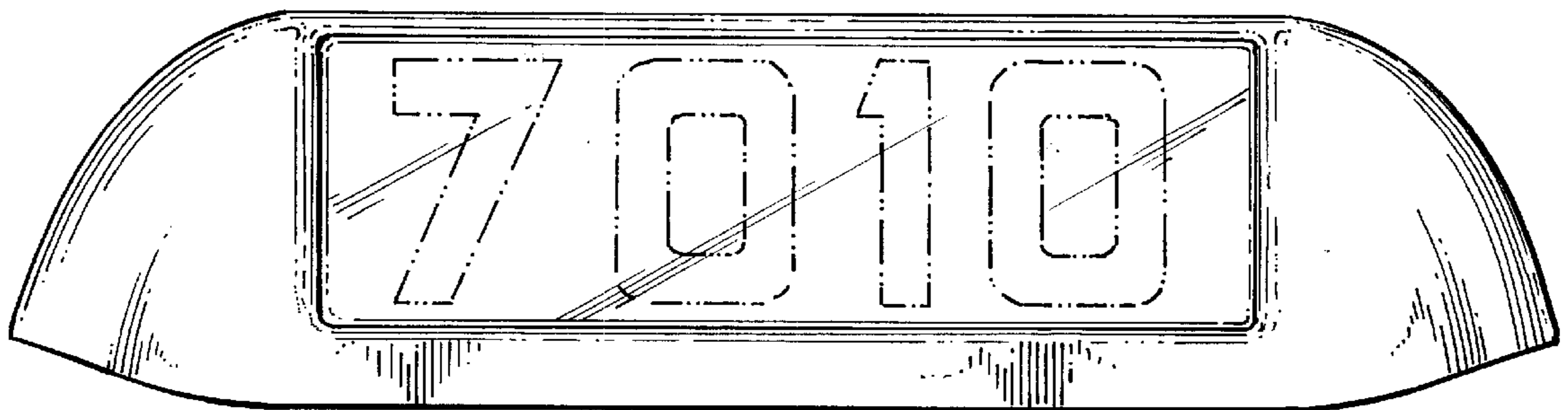


Fig. 4

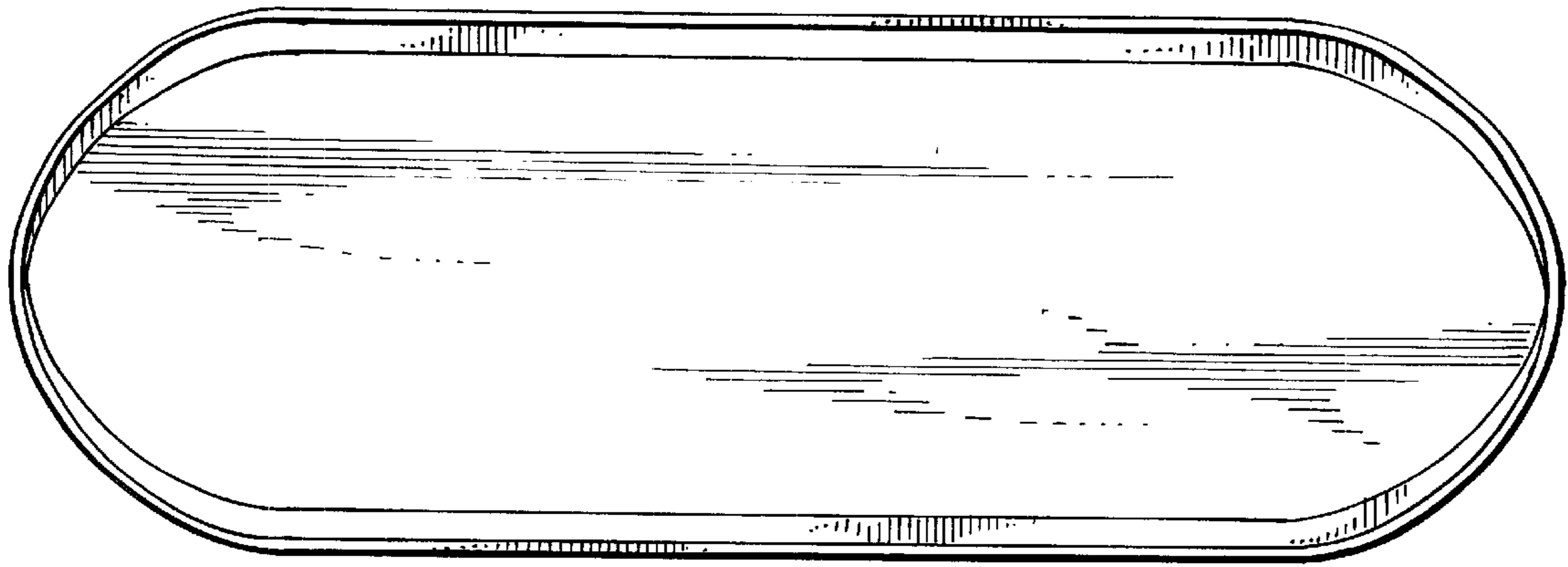


Fig. 5

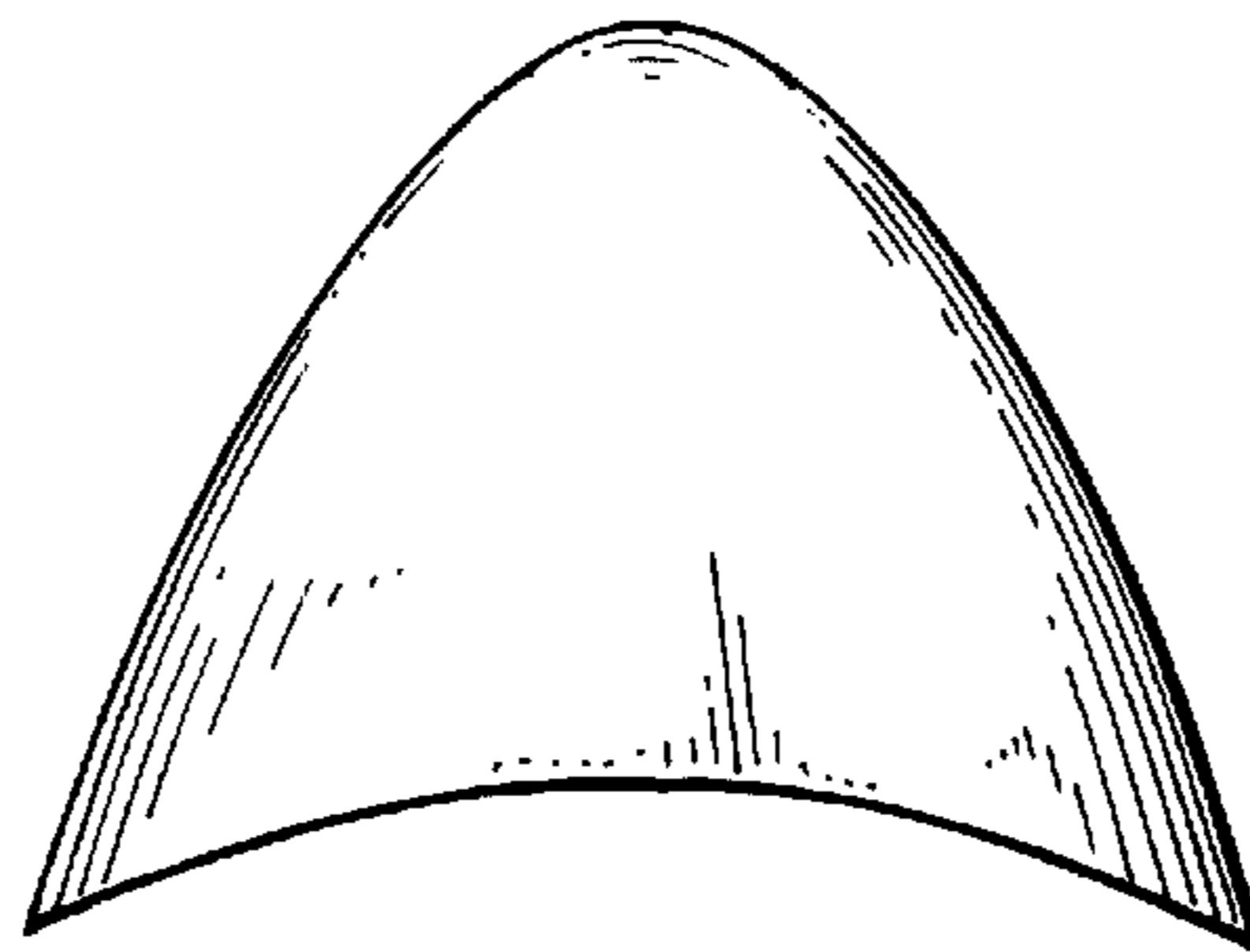


Fig. 6