



US00D453249S

(12) **United States Design Patent**
Kleinpell

(10) **Patent No.:** **US D453,249 S**

(45) **Date of Patent:** **** Jan. 29, 2002**

(54) **ICE SCRAPER**

(76) Inventor: **Arthur S. Kleinpell**, 457 N. Cranbrook,
Bloomfield Township, MI (US) 48301

(**) Term: **14 Years**

(21) Appl. No.: **29/131,288**

(22) Filed: **Oct. 18, 2000**

(51) **LOC (7) Cl.** **08-05**

(52) **U.S. Cl.** **D32/43; D32/49**

(58) **Field of Search** D32/40, 43, 46-49;
15/236.01, 236.02; 30/169, 172

(56) **References Cited**

U.S. PATENT DOCUMENTS

D374,525 S * 10/1996 Kleinpell, II et al. D32/43
5,836,041 A * 11/1998 Kleinpell, II et al. 15/236.02

D411,043 S * 6/1999 Wachler et al. D32/43

* cited by examiner

Primary Examiner—Jennifer Rivard

(74) *Attorney, Agent, or Firm*—Kohn & Associates

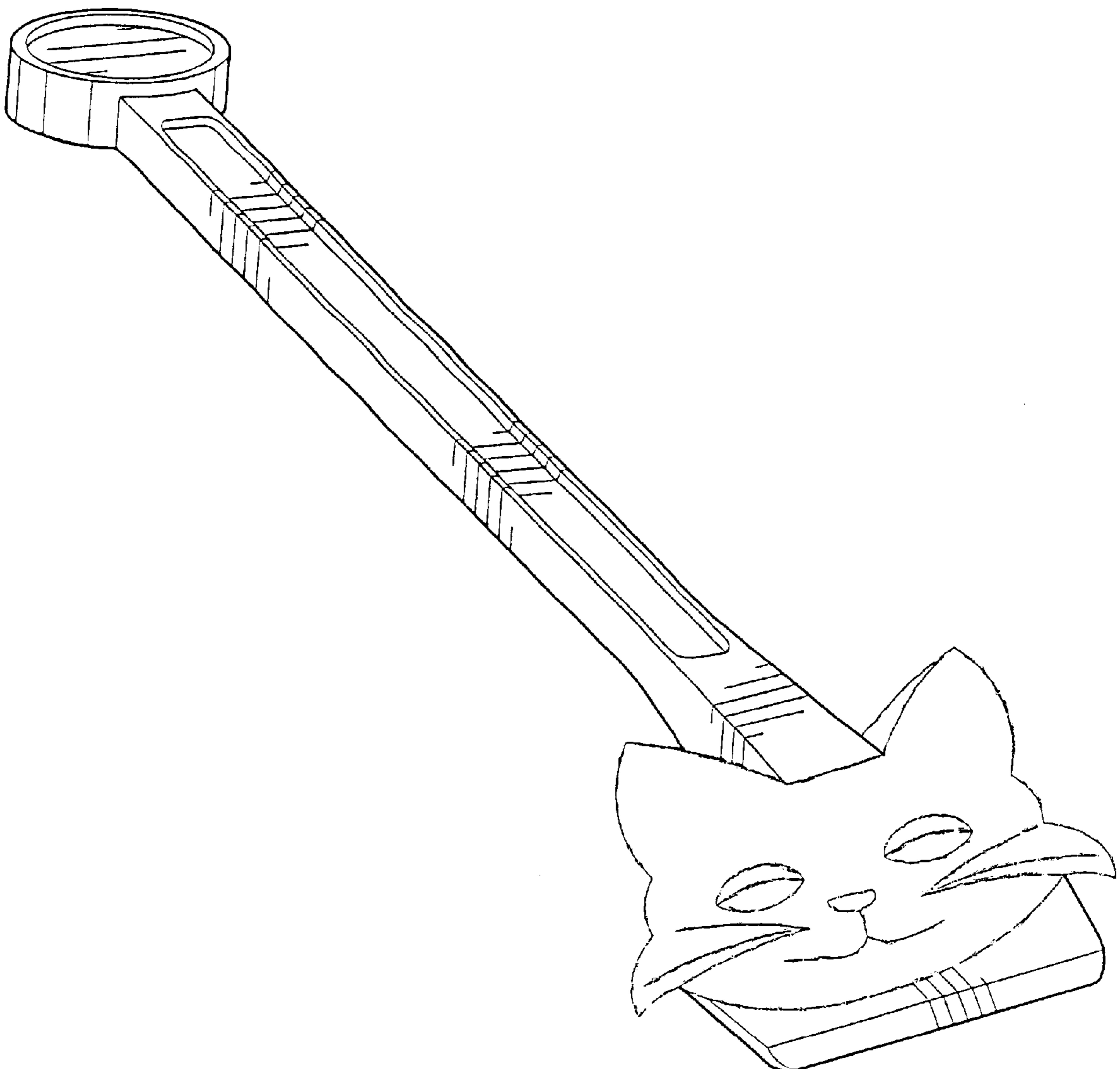
(57) **CLAIM**

The ornamental design for an ice scraper, as shown and described.

DESCRIPTION

FIG. 1 is a perspective view;
FIG. 2 is a front elevation view;
FIG. 3 is a rear elevation view;
FIG. 4 is a bottom plan view;
FIG. 5 is a right side elevation view;
FIG. 6 is a left side elevation view; and,
FIG. 7 is a top plan view.

1 Claim, 3 Drawing Sheets



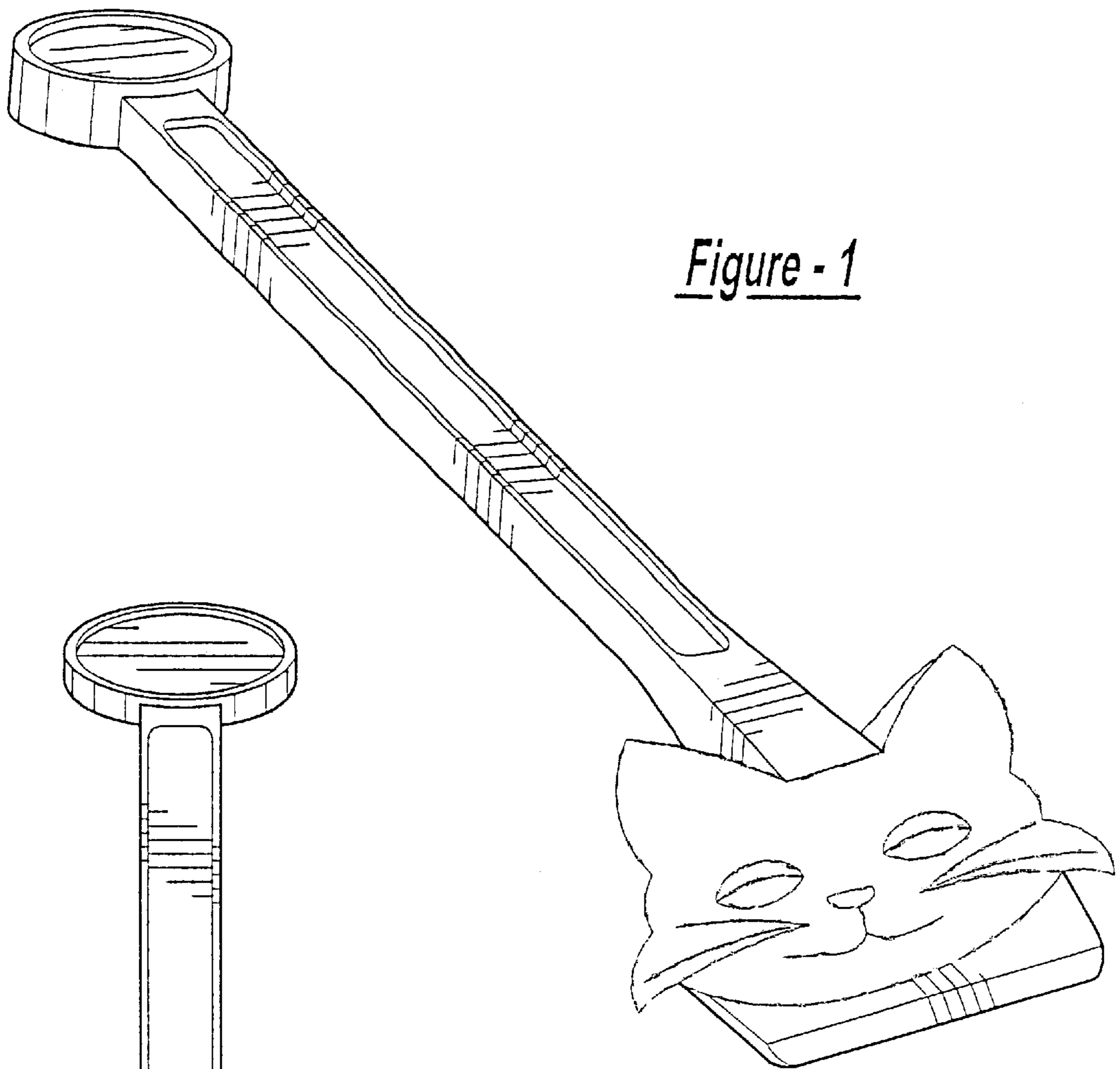


Figure - 1

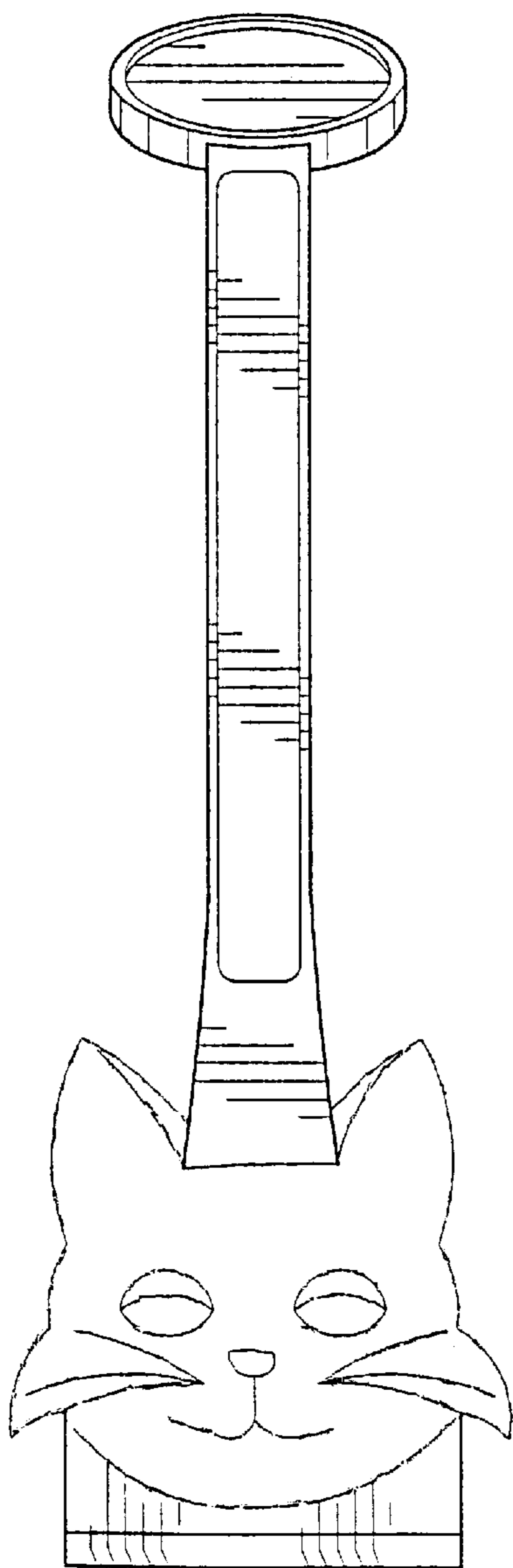


Figure - 2

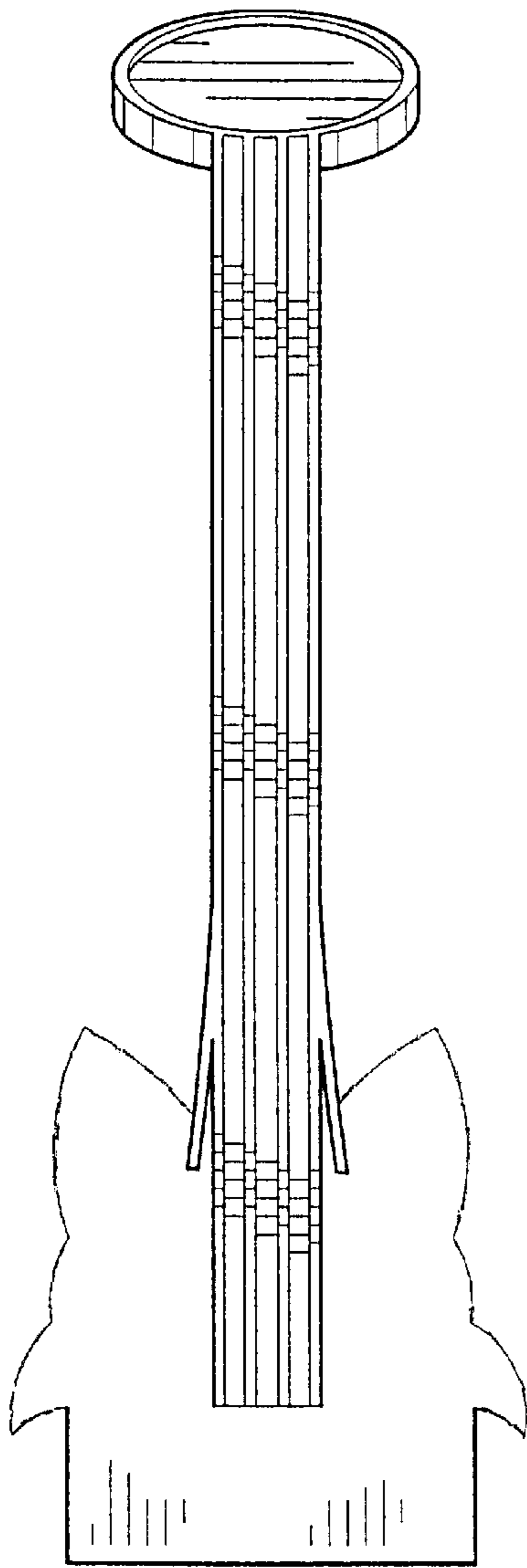


Figure - 3

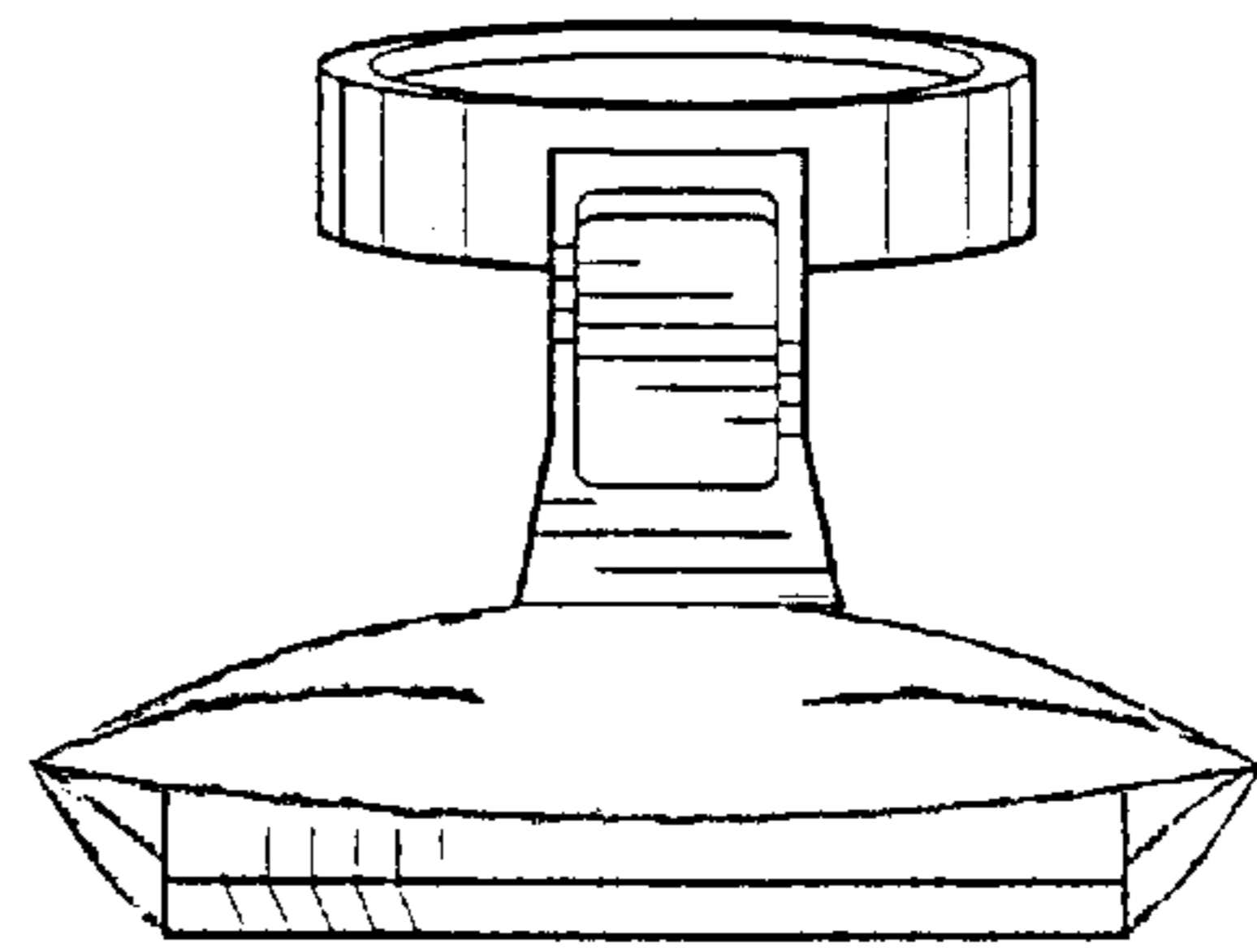


Figure - 4

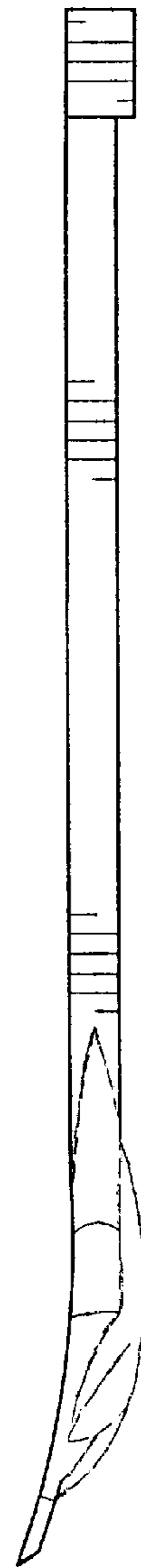


Figure - 5

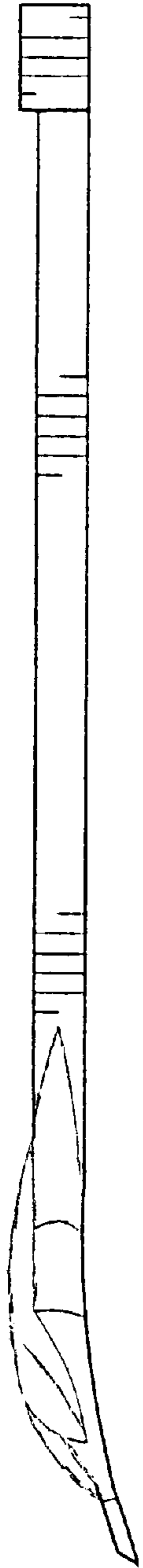


Figure - 6

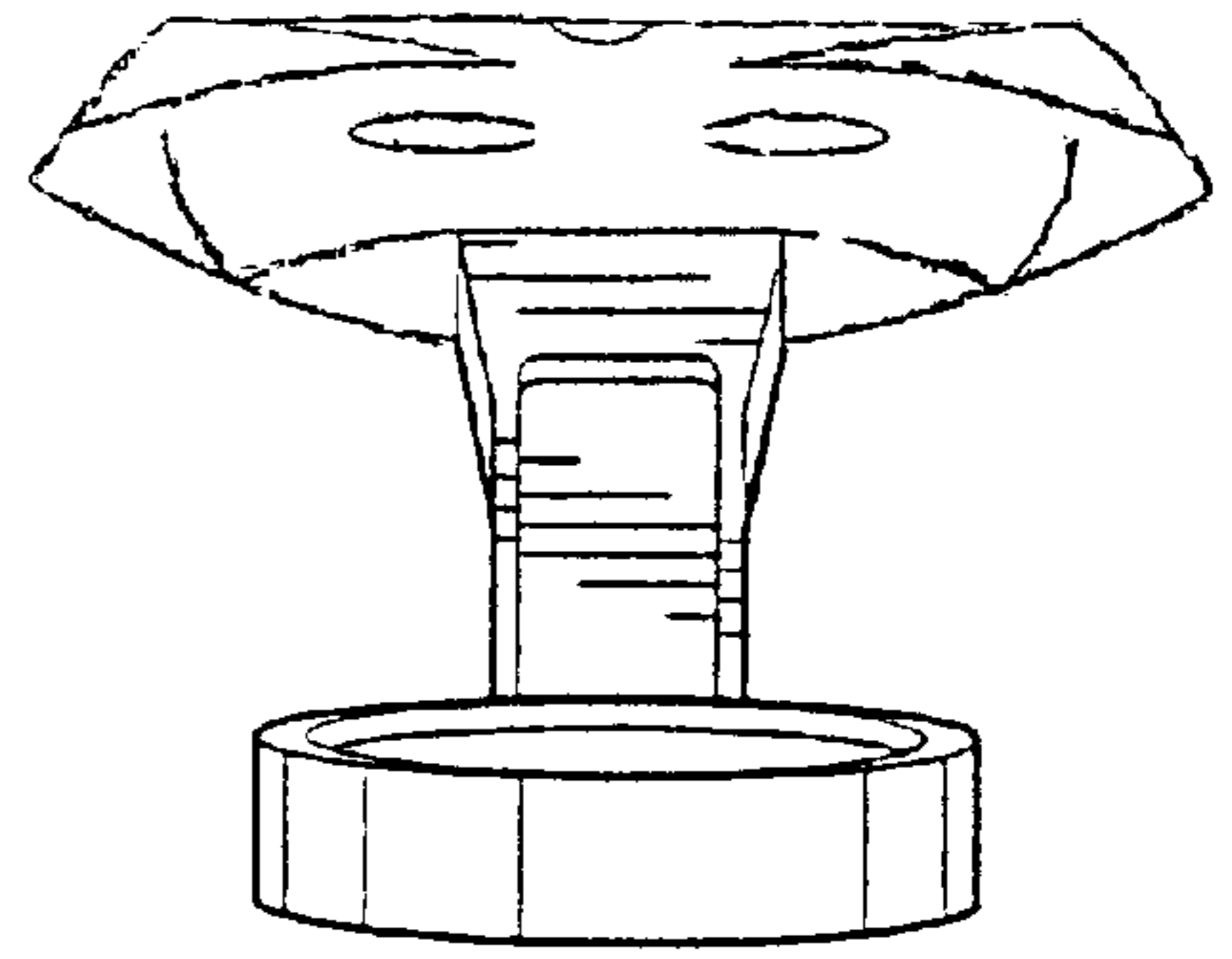


Figure - 7