



US00D453247S

(12) **United States Design Patent**  
**Lee**

(10) **Patent No.:** **US D453,247 S**

(45) **Date of Patent:** **\*\* Jan. 29, 2002**

(54) **SUCTION NOZZLE FOR VACUUM CLEANER**

(75) **Inventor:** **Wai Chung David Lee**, Groningen (NL)

(73) **Assignee:** **U.S. Philips Corporation**, New York, NY (US)

(\*\*) **Term:** **14 Years**

(21) **Appl. No.:** **29/135,753**

(22) **Filed:** **Jan. 18, 2001**

(30) **Foreign Application Priority Data**

Jul. 27, 2000 (XH) ..... DMA/004 975

(51) **LOC (7) Cl.** ..... **15-05**

(52) **U.S. Cl.** ..... **D32/32**

(58) **Field of Search** ..... D32/21-22, 31-33, D32/25; 15/322, 415.1-422.1, 41.1, 52.1, 387, 350-351, 366, 368, 383

(56) **References Cited**

**U.S. PATENT DOCUMENTS**

- 4,638,526 A \* 1/1987 Murata et al. .... 15/367
- D295,092 S \* 4/1988 Mizuno et al. .... D32/32
- D312,904 S \* 12/1990 Worwag ..... D32/32
- D333,021 S \* 2/1993 Breur ..... D32/32

- D333,022 S \* 2/1993 Kramer et al. .... D32/32
- D333,539 S \* 2/1993 Kramer et al. .... D32/32
- D359,604 S \* 6/1995 Sovis et al. .... D32/22
- 5,471,707 A \* 12/1995 Kang ..... 15/326
- 5,606,770 A \* 3/1997 Sovis et al. .... 15/350
- D381,144 S \* 7/1997 Moine et al. .... D32/32
- D427,398 S \* 6/2000 Worwag ..... D32/32
- D427,737 S \* 7/2000 Dyson et al. .... D32/32
- D443,120 S \* 5/2001 Choi ..... D32/32

\* cited by examiner

*Primary Examiner*—Ruth McInroy

(74) *Attorney, Agent, or Firm*—Ernestine C. Bartlett

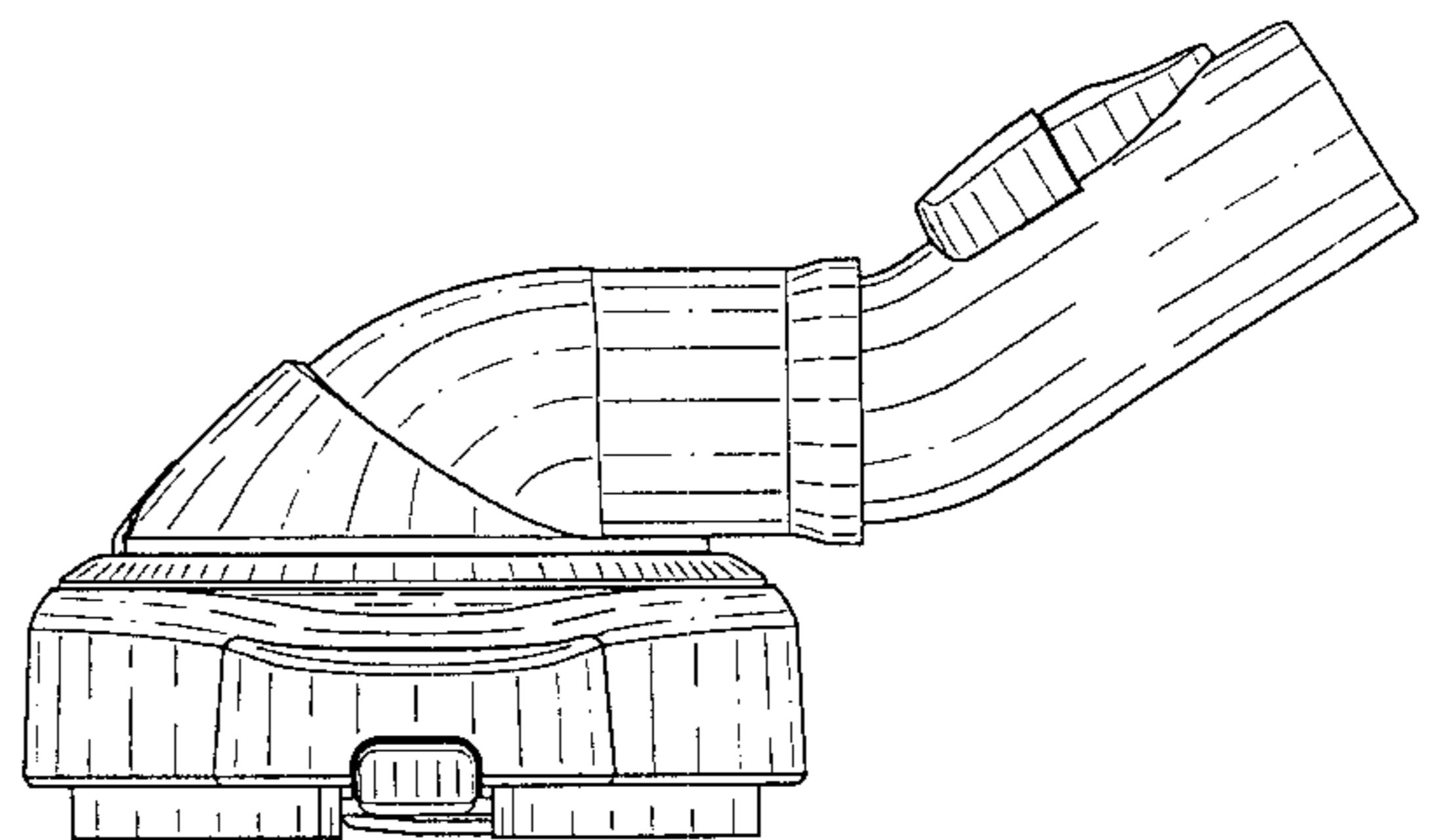
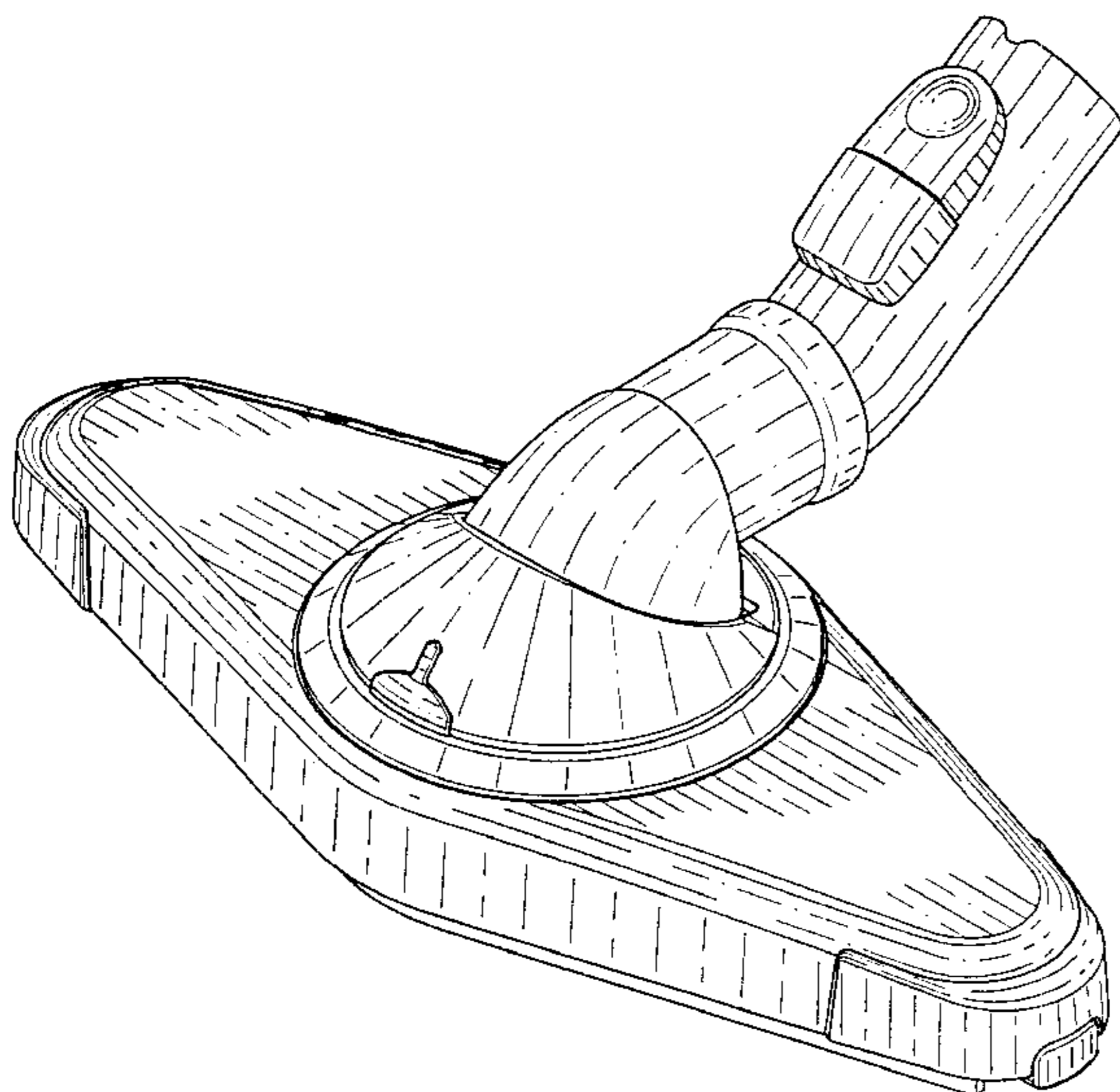
(57) **CLAIM**

The ornamental design for a suction nozzle for vacuum cleaner, as shown.

**DESCRIPTION**

FIG. 1 is a perspective view of a suction nozzle for vacuum cleaner showing my design;  
 FIG. 2 is a front elevational view thereof;  
 FIG. 3 is a rear elevational view thereof;  
 FIG. 4 is a right side elevational view thereof;  
 FIG. 5 is a left side elevational view thereof;  
 FIG. 6 is a top plan view thereof; and,  
 FIG. 7 is a bottom plan view thereof.

**1 Claim, 5 Drawing Sheets**



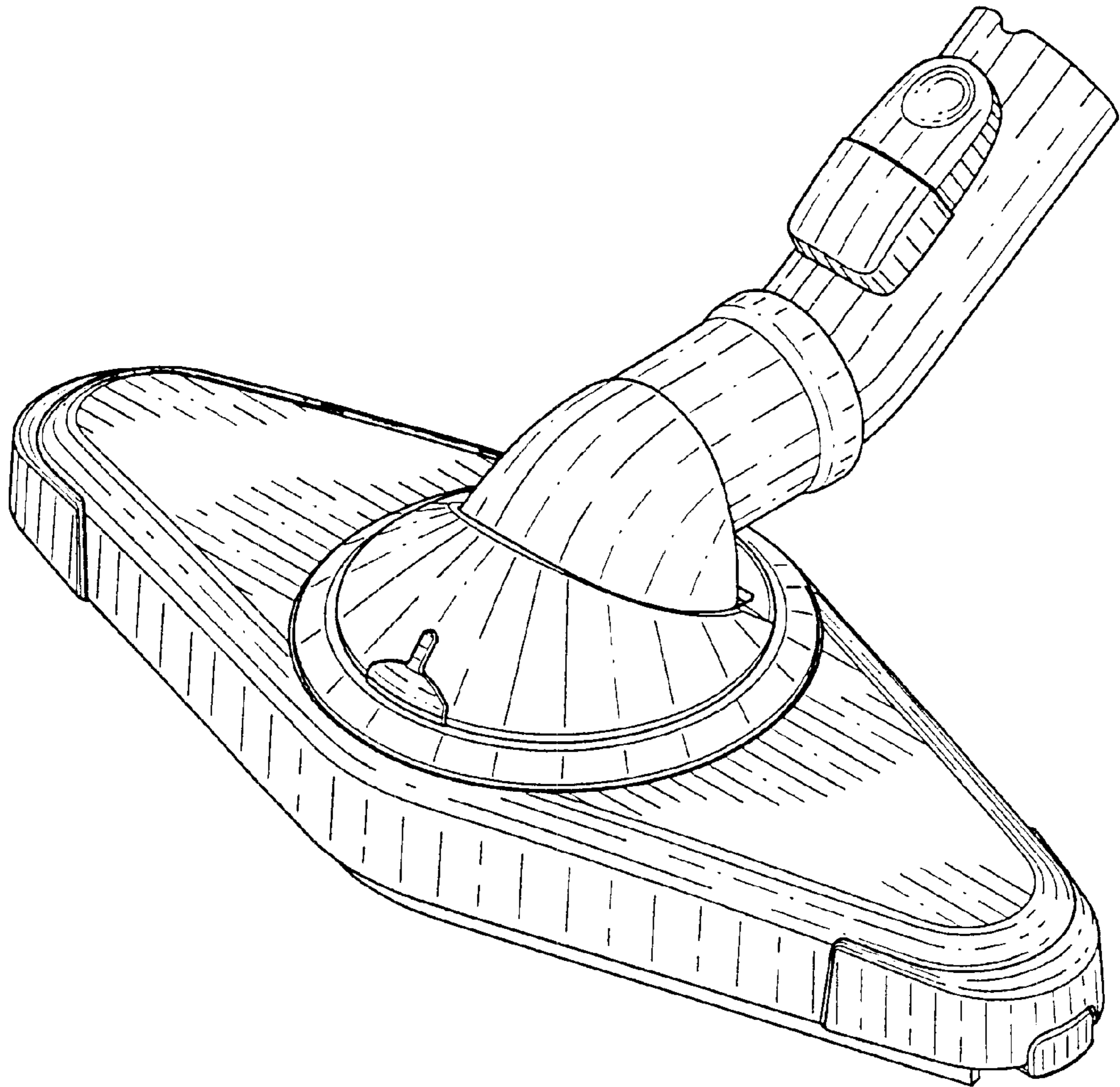


FIG. 1

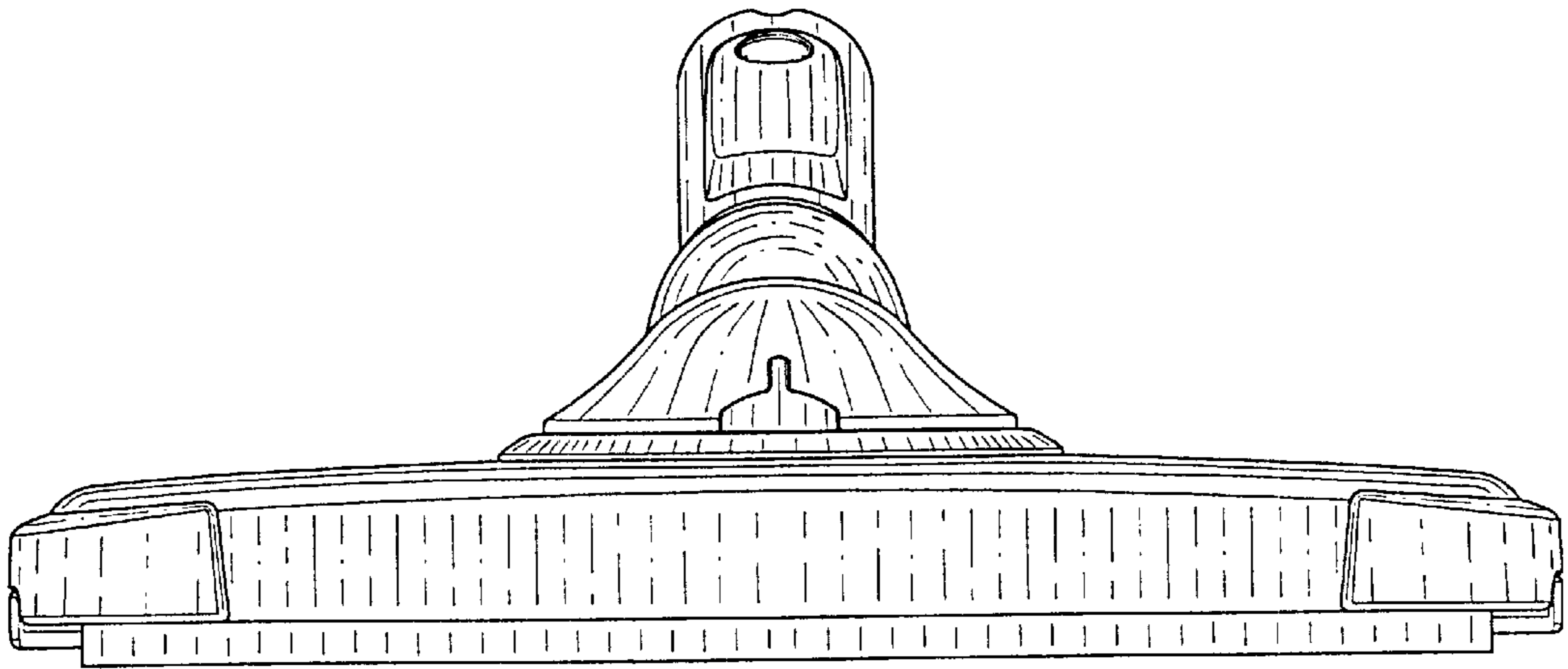


FIG. 2

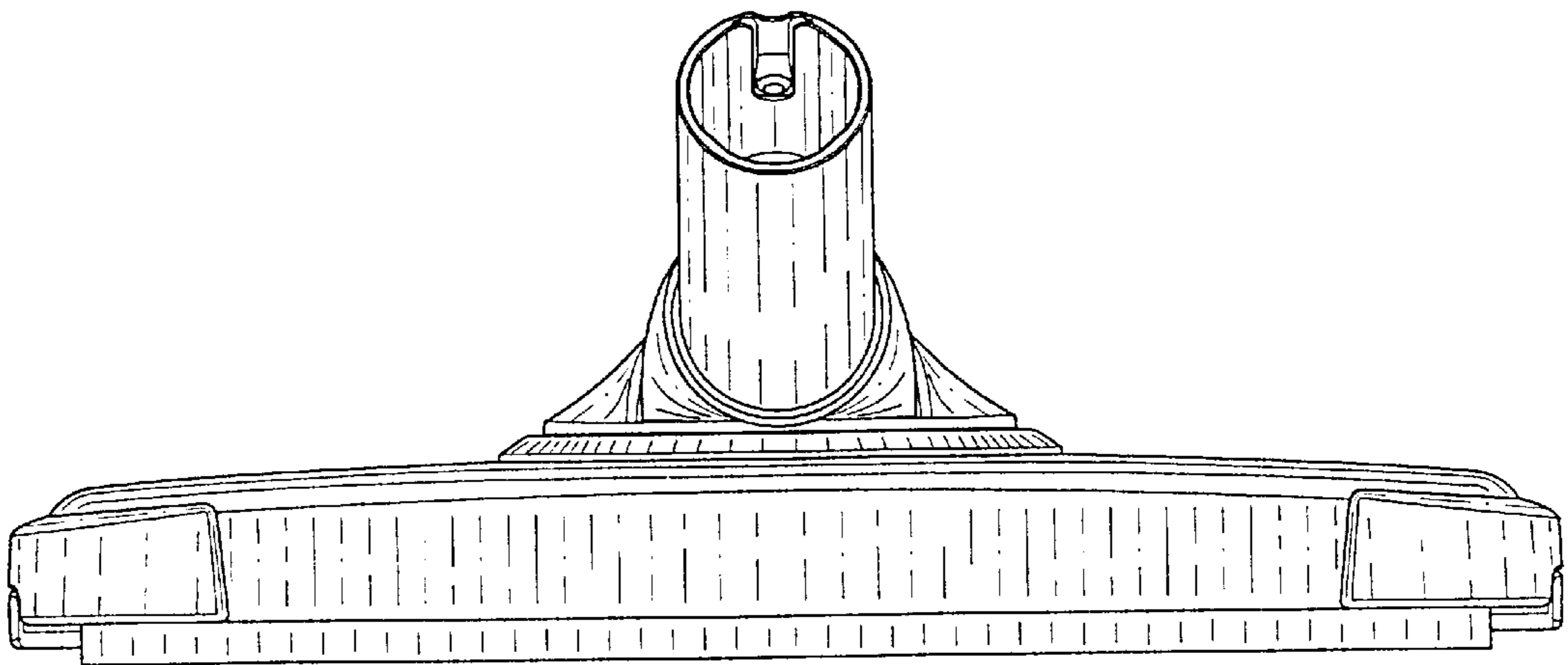


FIG. 3

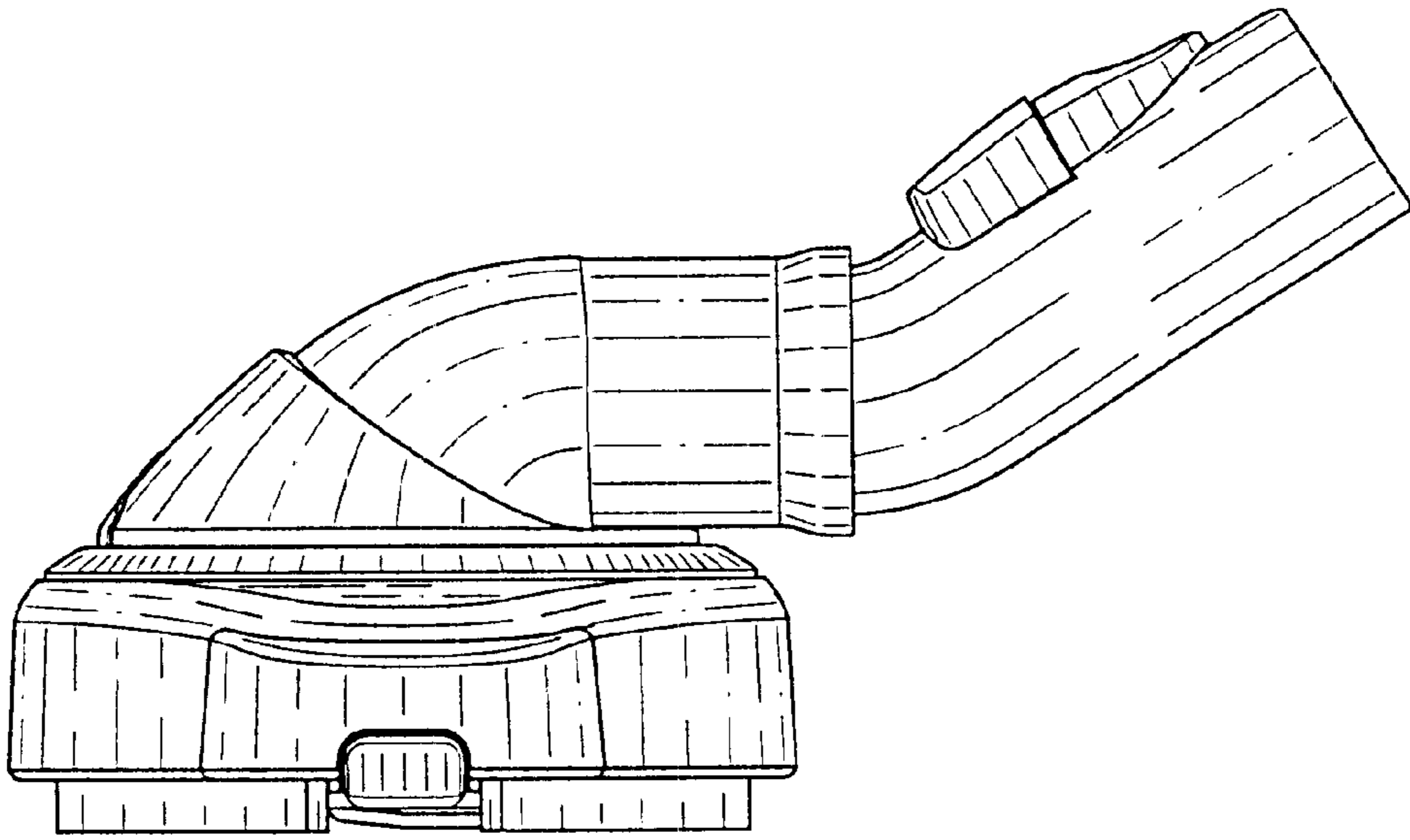


FIG. 4

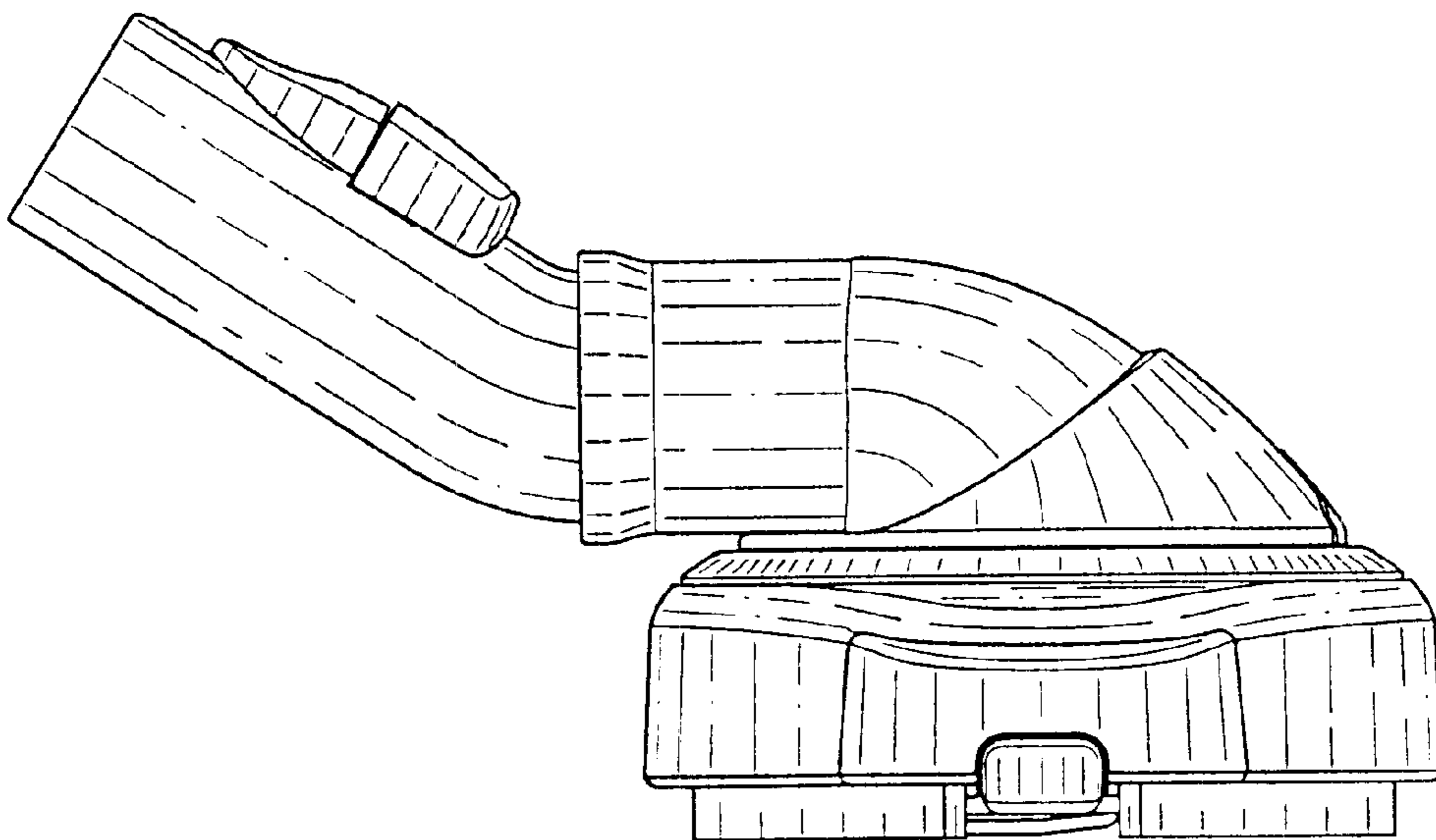


FIG. 5

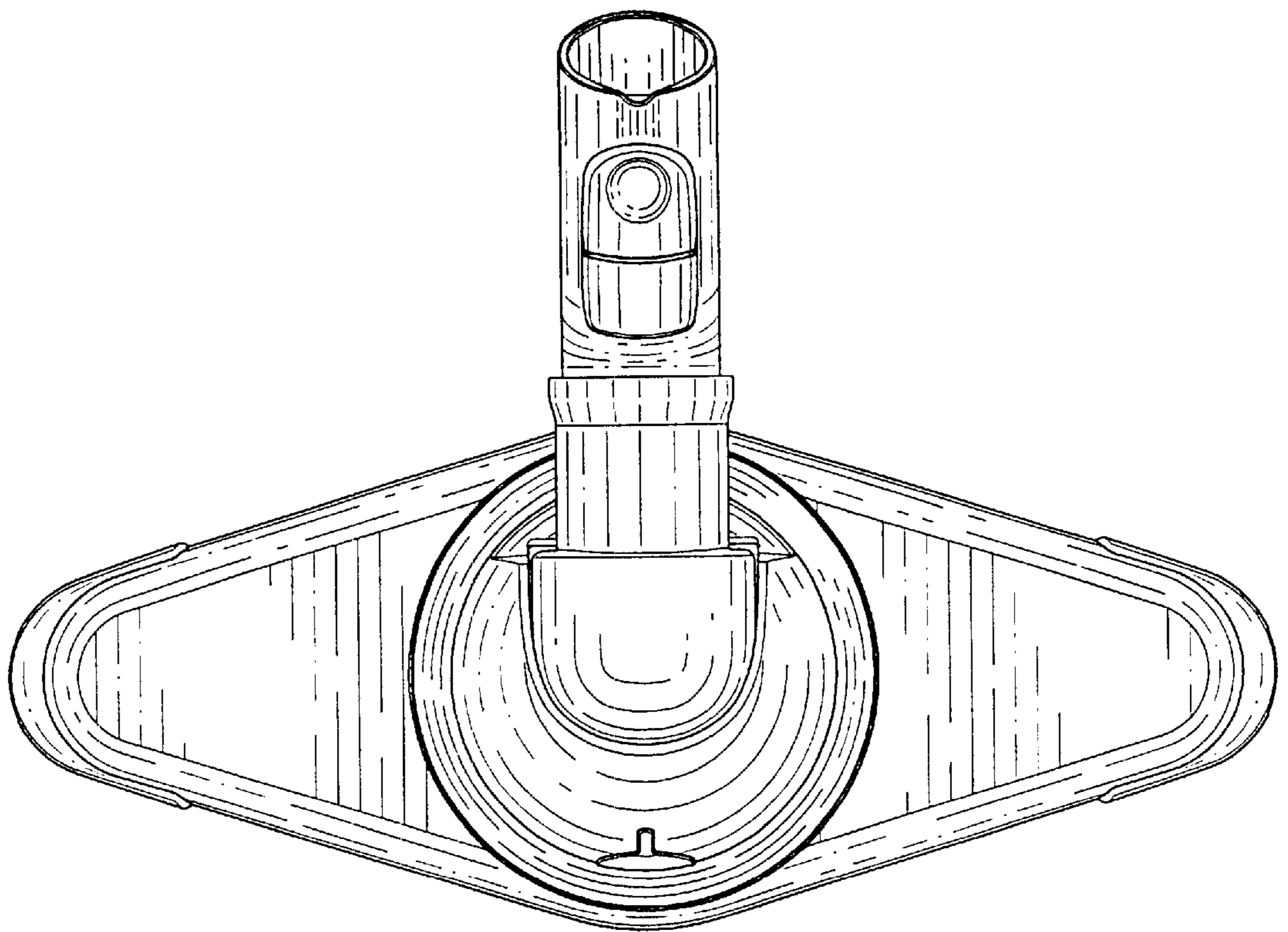


FIG. 6

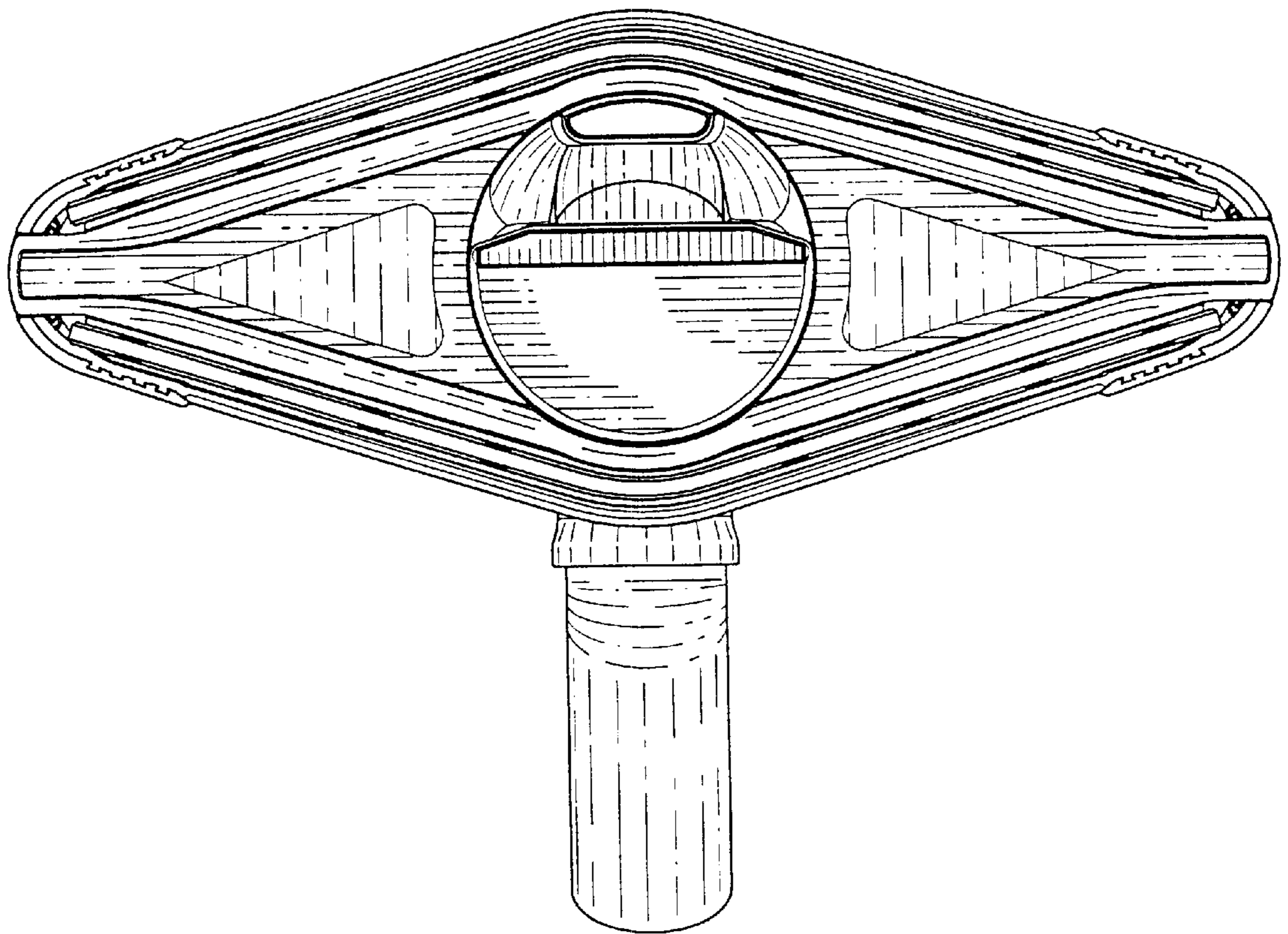


FIG. 7