



US00D453246S

(12) **United States Design Patent**
Nimmo

(10) **Patent No.:** **US D453,246 S**

(45) **Date of Patent:** **** Jan. 29, 2002**

(54) **POOL VACUUM HEAD**

(75) **Inventor:** **Craig Allan Nimmo, Miami Keys (AU)**

(73) **Assignee:** **Pool Systems Pty Ltd., Brisbane (AU)**

(**) **Term:** **14 Years**

(21) **Appl. No.:** **29/109,803**

(22) **Filed:** **Aug. 24, 1999**

(30) **Foreign Application Priority Data**

Jun. 7, 1999 (AU) 1782/99

(51) **LOC (7) Cl.** **15-05**

(52) **U.S. Cl.** **D32/32**

(58) **Field of Search** D32/31-33, 25;
15/1.7, 414, 415.1, 321-322, 400; 137/565.01,
565.23, 577.5; 210/241, 523

(56) **References Cited**

U.S. PATENT DOCUMENTS

3,795,027 A * 3/1974 Lindberg, Jr. 15/398
4,240,173 A * 12/1980 Sherrill 15/1.7
D260,094 S * 8/1981 Watkins D32/21

4,498,206 A * 2/1985 Braukmann 15/1.7
D296,372 S * 6/1988 Toney et al. D32/32
4,797,206 A * 1/1989 Lynch 210/169
D306,788 S * 3/1990 McAllister et al. D32/32
5,311,631 A * 5/1994 Smith, Jr. 15/1.7
5,336,403 A * 8/1994 Marbach 210/169
D401,023 S * 11/1998 Sebor et al. D32/33

* cited by examiner

Primary Examiner—Ruth McInroy

(74) *Attorney, Agent, or Firm*—Fulbright & Jaworski, LLP

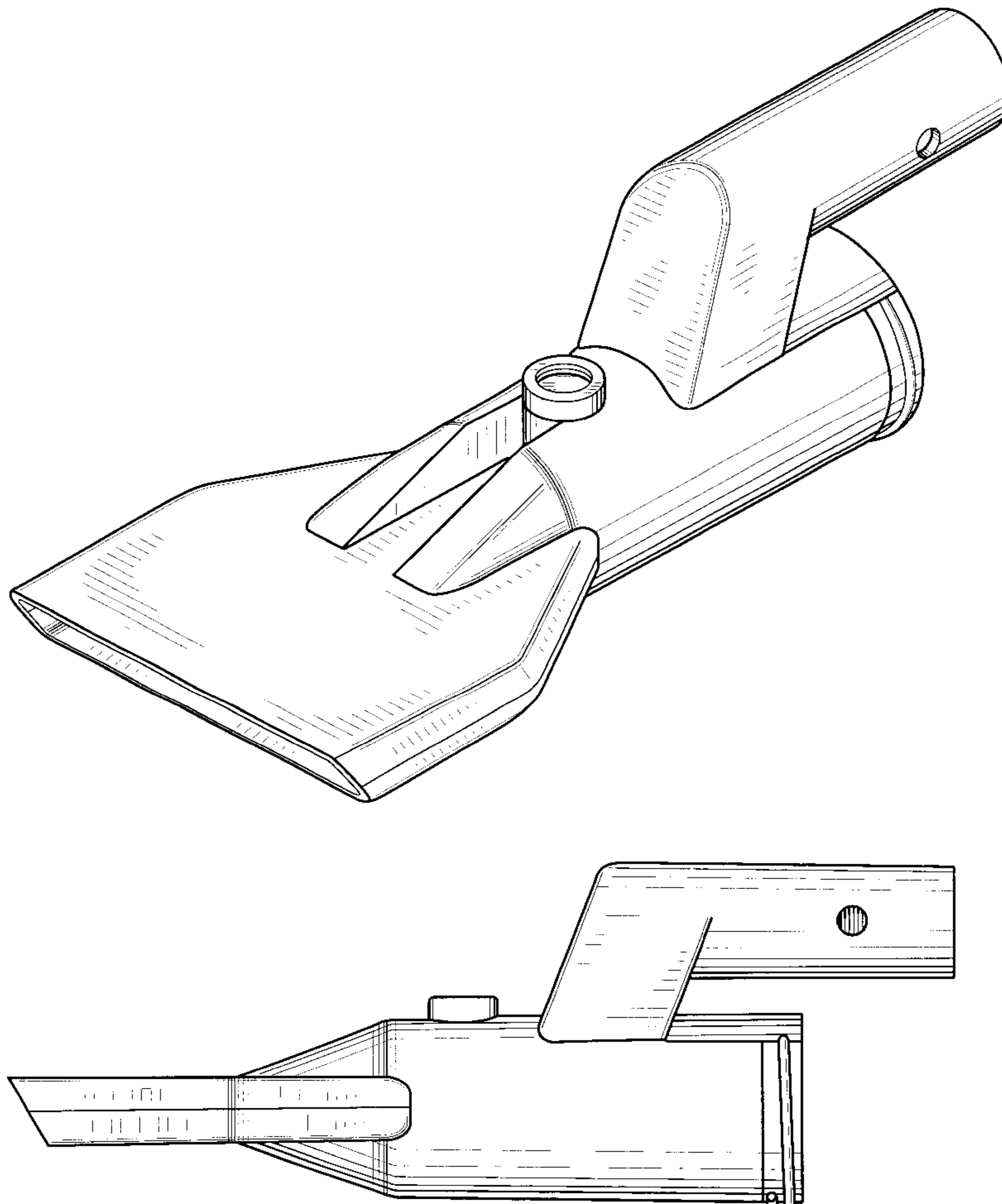
(57) **CLAIM**

The ornamental design for a pool vacuum head, as shown.

DESCRIPTION

FIG. 1 is a front perspective view of a pool vacuum head showing my new design;
FIG. 2 is a rear perspective view thereof;
FIG. 3 is a top view thereof;
FIG. 4 is a side view thereof;
FIG. 5 is a front end view thereof; and,
FIG. 6 is a rear end view thereof.

1 Claim, 2 Drawing Sheets



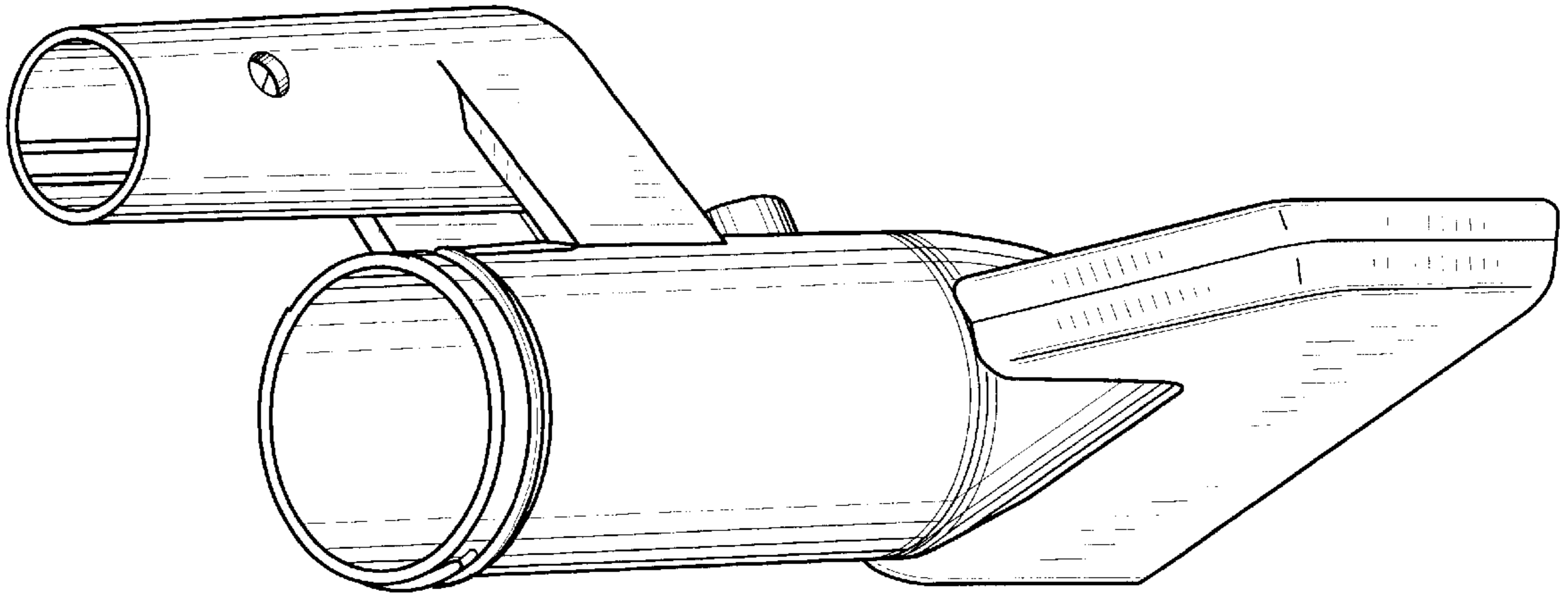


FIG. 2

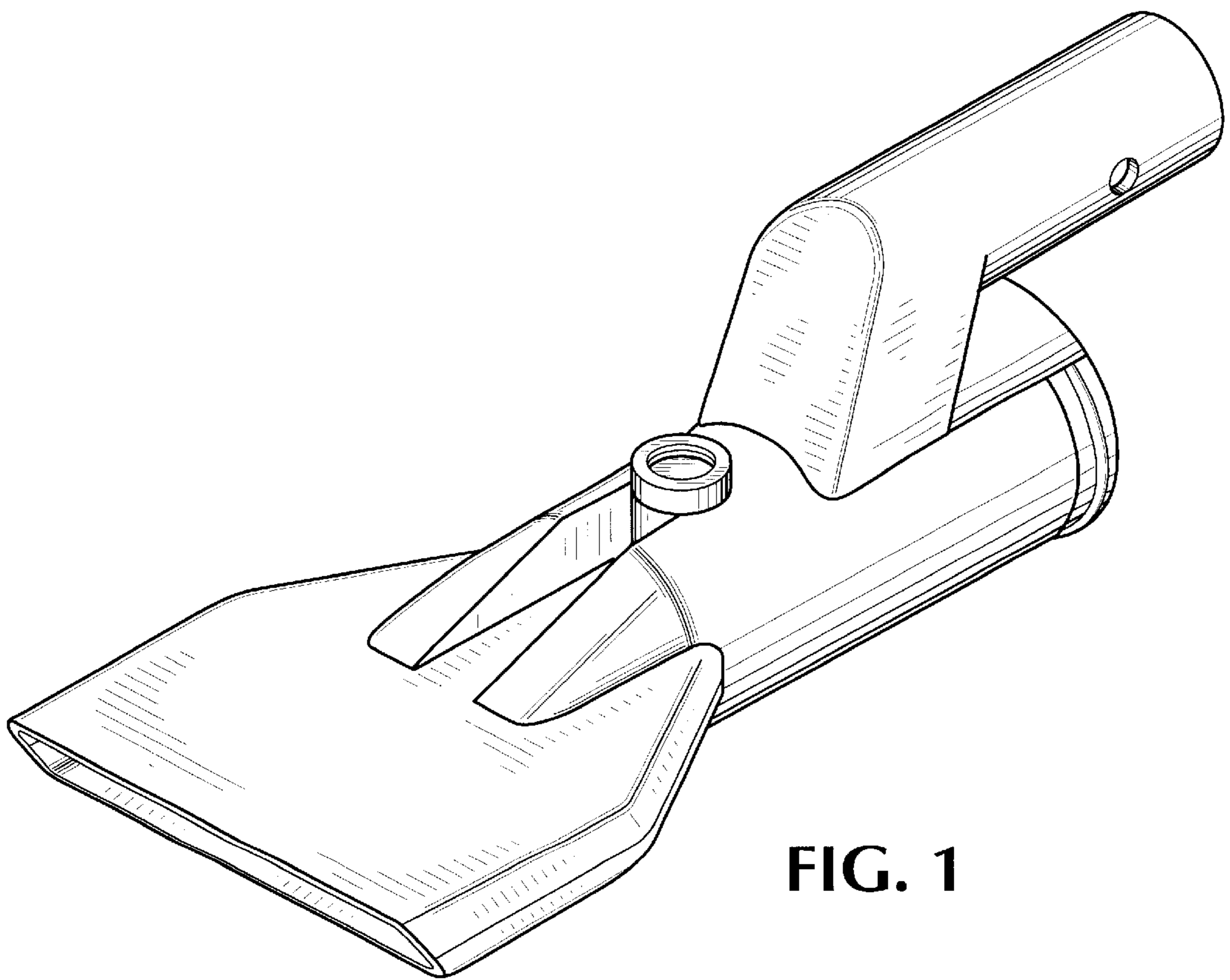


FIG. 1

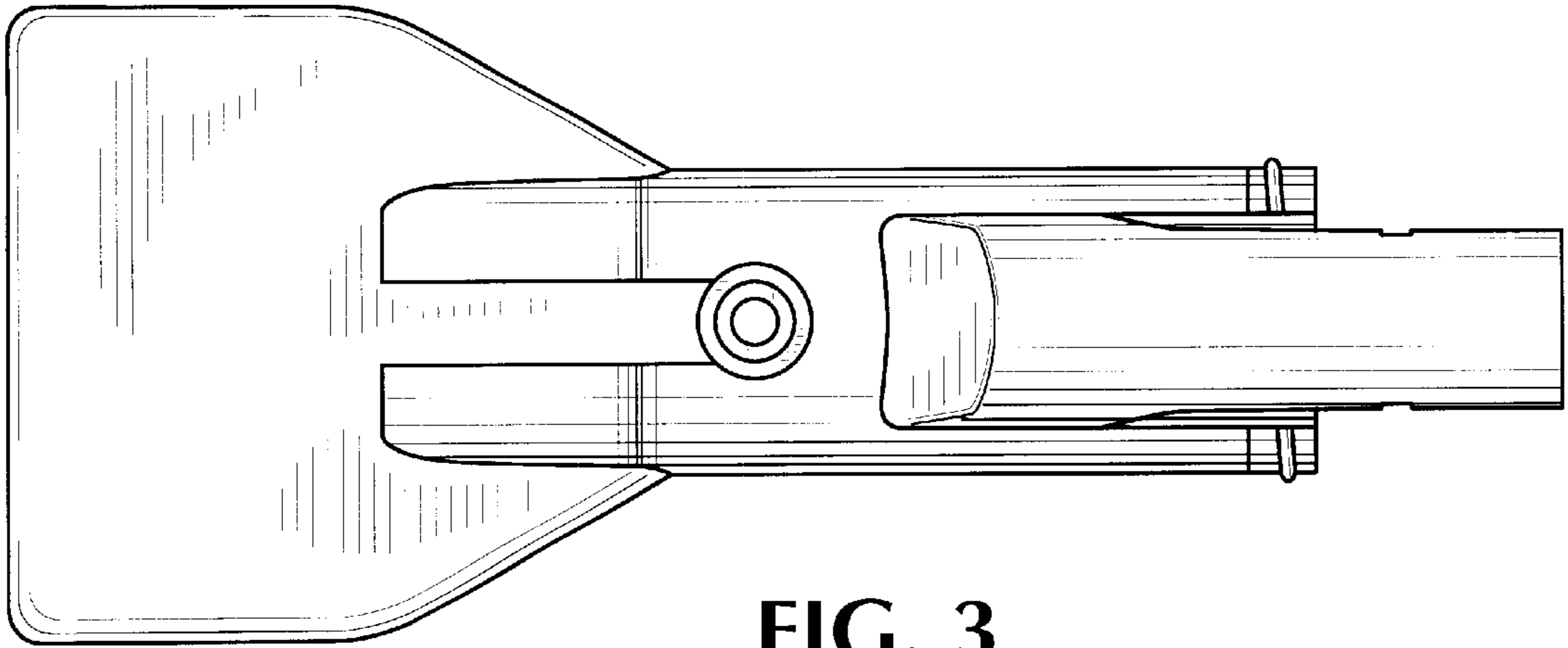


FIG. 3

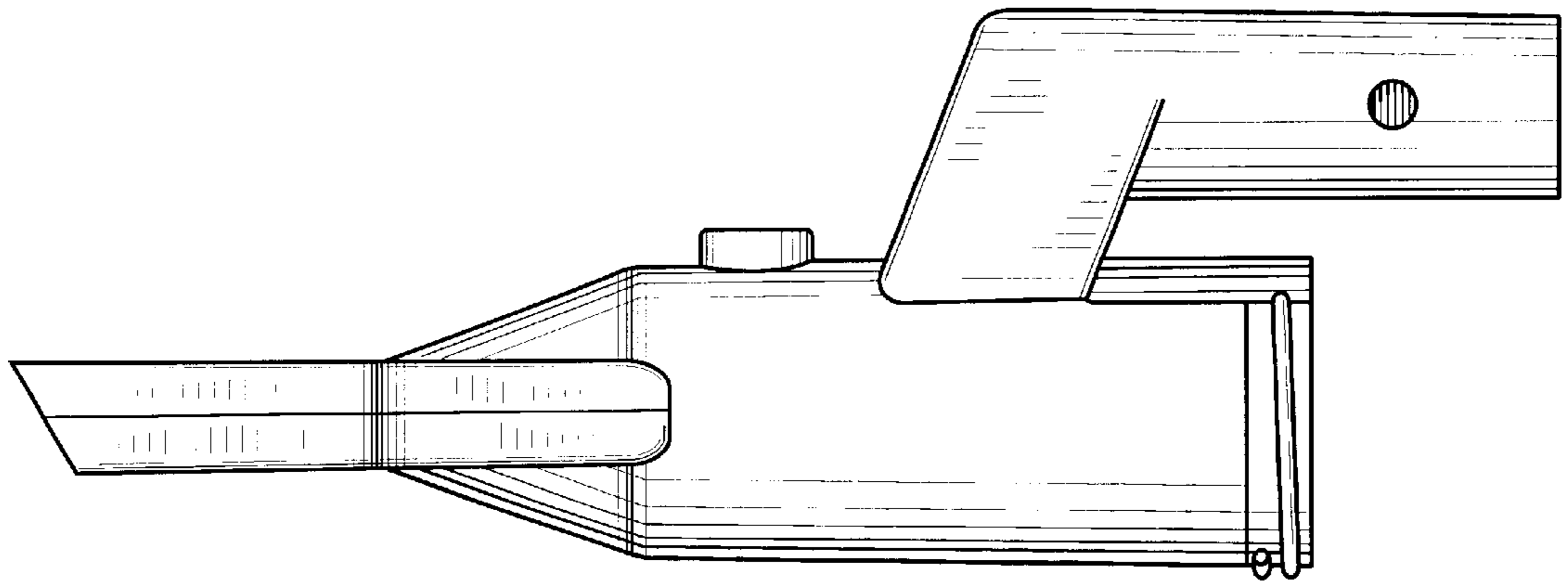


FIG. 4

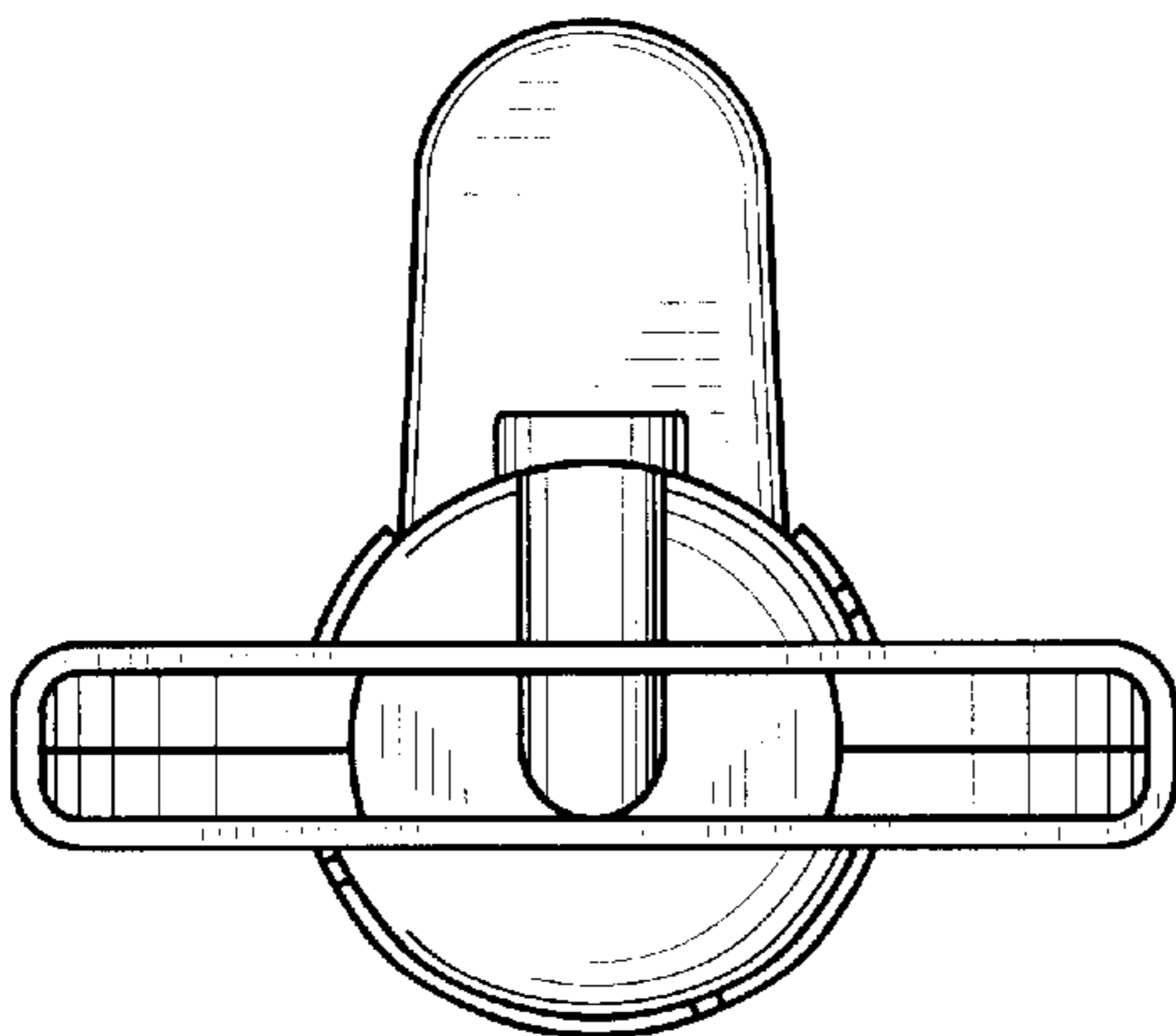


FIG. 5

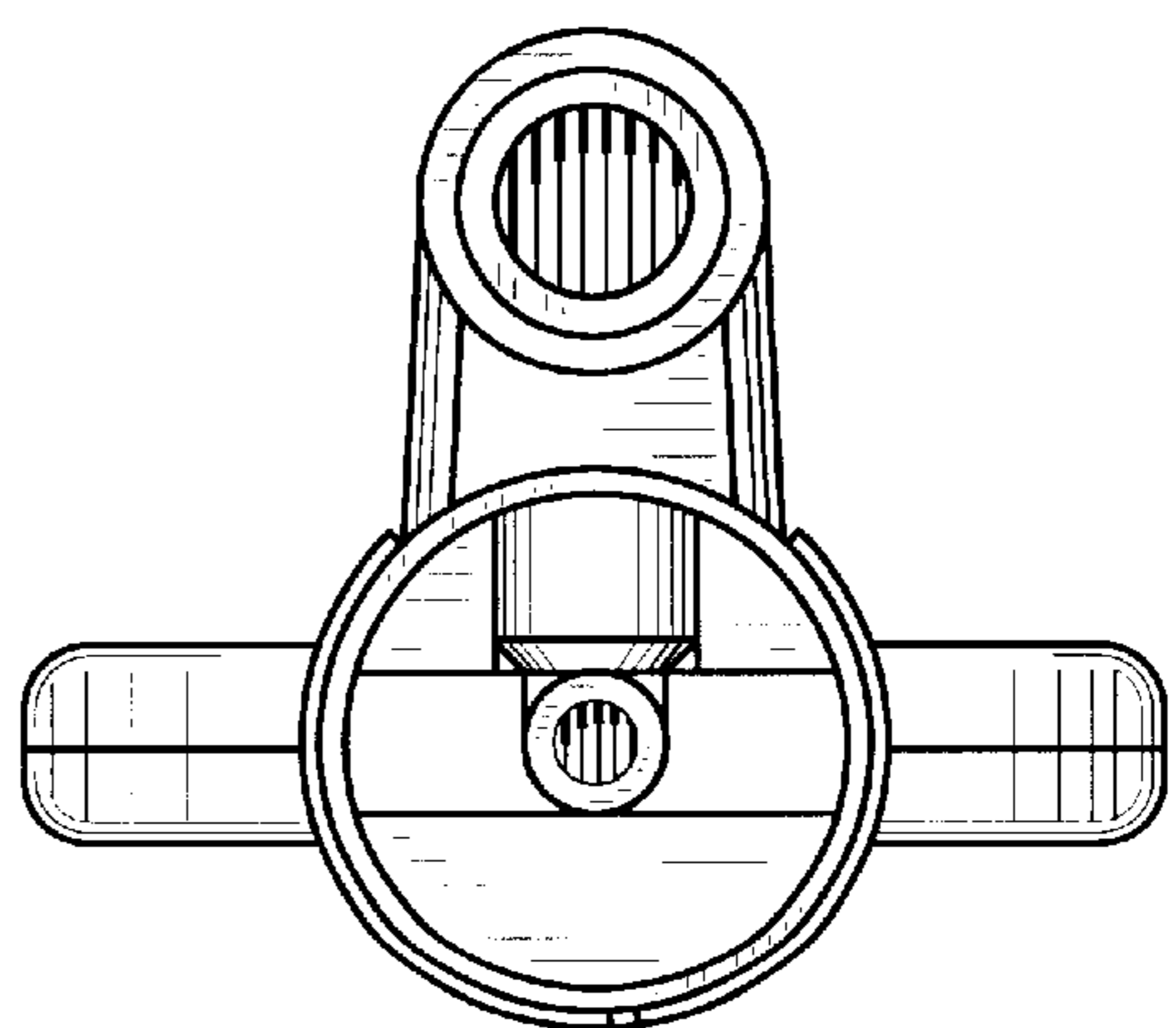


FIG. 6