



US00D453245S

(12) **United States Design Patent**  
**Murphy et al.**

(10) **Patent No.:** **US D453,245 S**

(45) **Date of Patent:** **\*\* Jan. 29, 2002**

(54) **DUST CUP FOR A VACUUM CLEANER**

(75) Inventors: **John S. Murphy**, Brookpark; **David Di Nunzio**, Mentor; **Robert A. Matousek**, Lakewood; **Jeffrey M. Kalman**, Cleveland Heights; **Craig M. Saunders**, Rocky River; **Michael F. Wright**, Stow; **Richard C. Farone**, Willoughby; **Mark E. Cipolla**, Chardon; **Paul D. Stephens**, Twinsburg; **Robert A. Salo**, Mentor, all of OH (US)

(73) Assignee: **Royal Appliance Mfg. Co.**, Glenwillow, OH (US)

(\*\*) Term: **14 Years**

(21) Appl. No.: **29/130,792**

(22) Filed: **Oct. 6, 2000**

(51) **LOC (7) Cl.** ..... **15-05**

(52) **U.S. Cl.** ..... **D32/31; D32/21; D32/18; D32/24**

(58) **Field of Search** ..... D32/21, 22-24, D32/32-33, 25, 31; 15/398, 364, 400, 42, 322, 410, 412, 414, 415.1-422.1, 327.1-327.7, 377, 347, 344, 329

(56) **References Cited**

**U.S. PATENT DOCUMENTS**

4,745,654 A 5/1988 Yamamoto et al.  
D322,338 S \* 12/1991 Sovis et al. .... D32/21  
5,297,311 A 3/1994 Puri

5,349,752 A 9/1994 Stirm  
D355,283 S \* 2/1995 Thomas et al. .... D32/24  
5,664,285 A 9/1997 Melito et al.  
D399,616 S \* 10/1998 Bobrosky et al. .... D32/21  
D422,763 S \* 4/2000 Tsuda ..... D32/21  
D424,764 S \* 5/2000 Collins et al. .... D32/21  
D432,746 S \* 10/2000 Frey ..... D32/24  
6,145,160 A \* 11/2000 Buss et al. .... 15/323

\* cited by examiner

*Primary Examiner*—Ruth McInroy

(74) *Attorney, Agent, or Firm*—Fay, Sharpe, Fagan, Minnich & McKee, LLP

(57) **CLAIM**

The ornamental design for a dust cup for a vacuum cleaner, as shown and described.

**DESCRIPTION**

FIG. 1 is a perspective view of a dust cup for a vacuum cleaner showing our new design as it is held in a canister type vacuum cleaner;

FIG. 2 is a perspective view of the dust cup;

FIG. 3 is a right side elevational view thereof;

FIG. 4 is a front elevational view thereof;

FIG. 5 is a left side elevational view thereof;

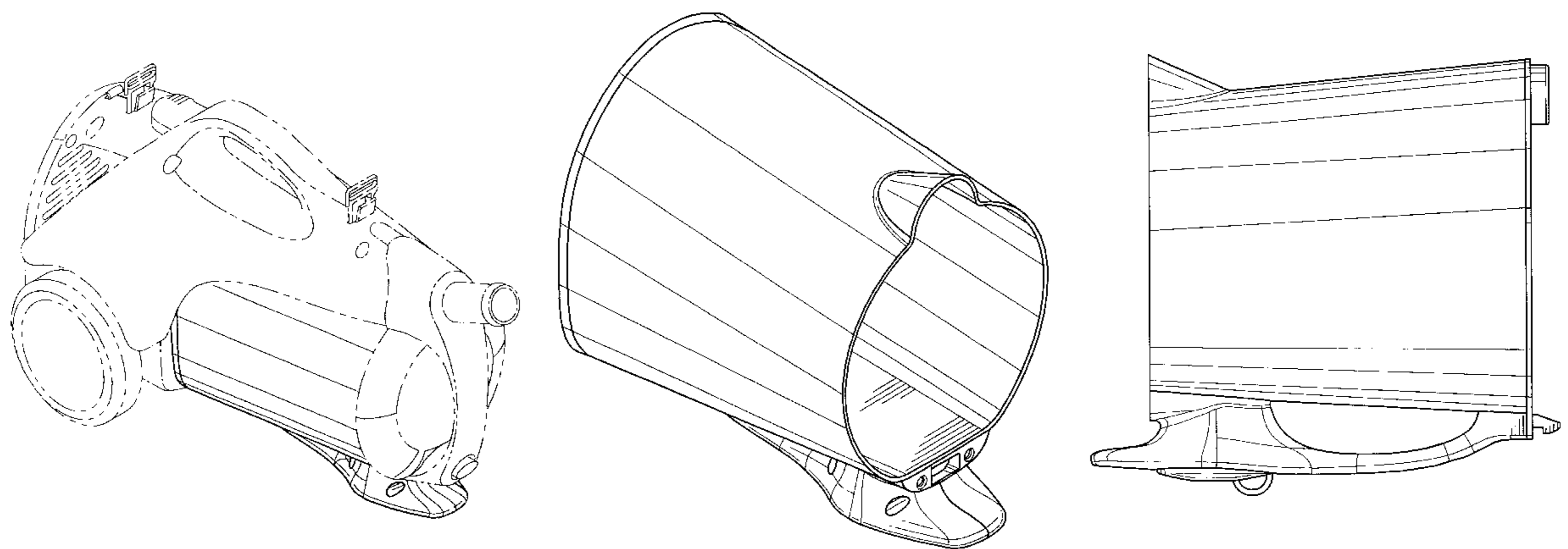
FIG. 6 is a rear elevational view thereof;

FIG. 7 is a top plan view thereof; and,

FIG. 8 is a bottom plan view thereof.

The parts shown in broken lines in FIG. 1 are shown for illustrative purposes only and form no part of the claimed design.

**1 Claim, 5 Drawing Sheets**



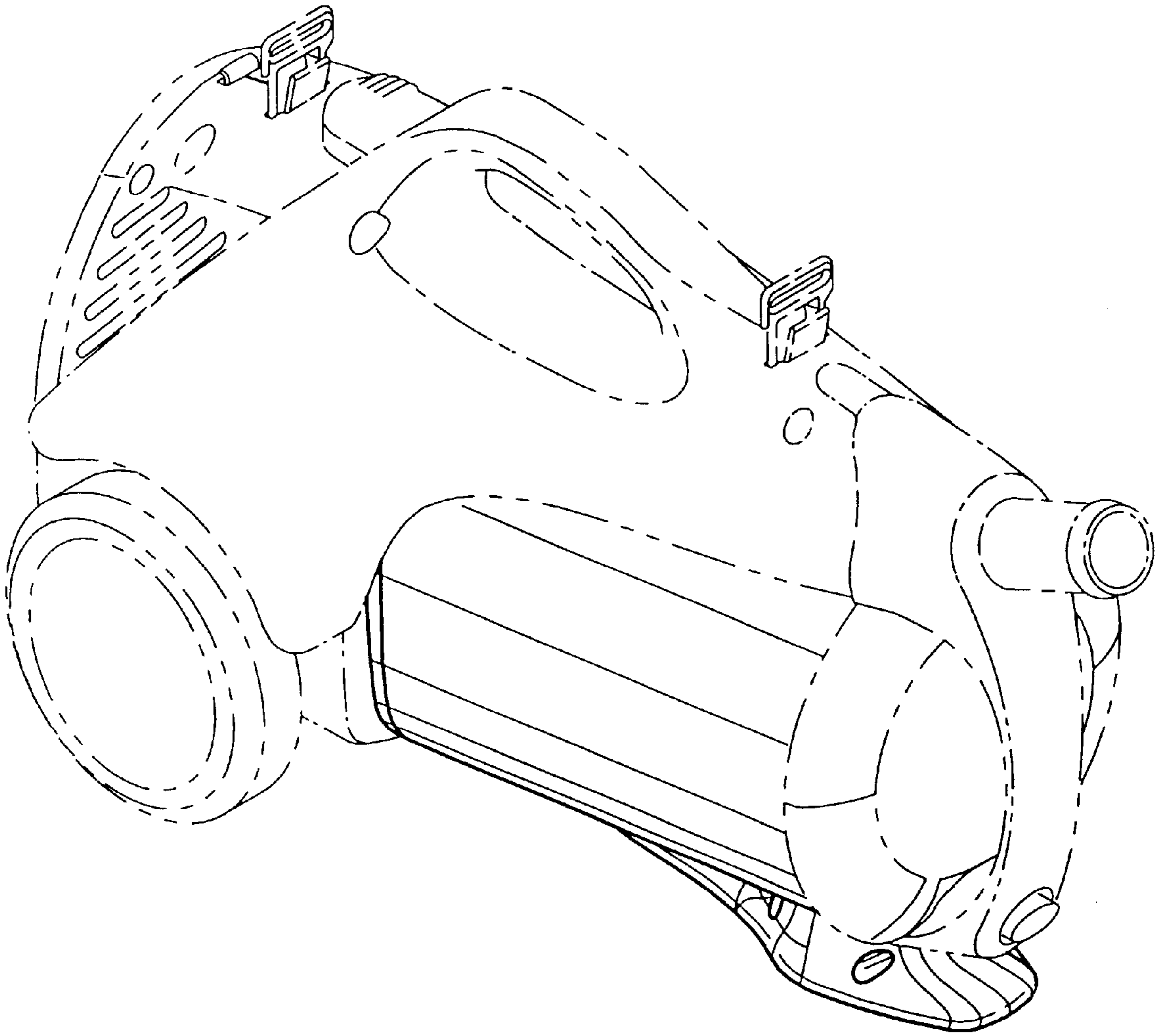


FIG. 1

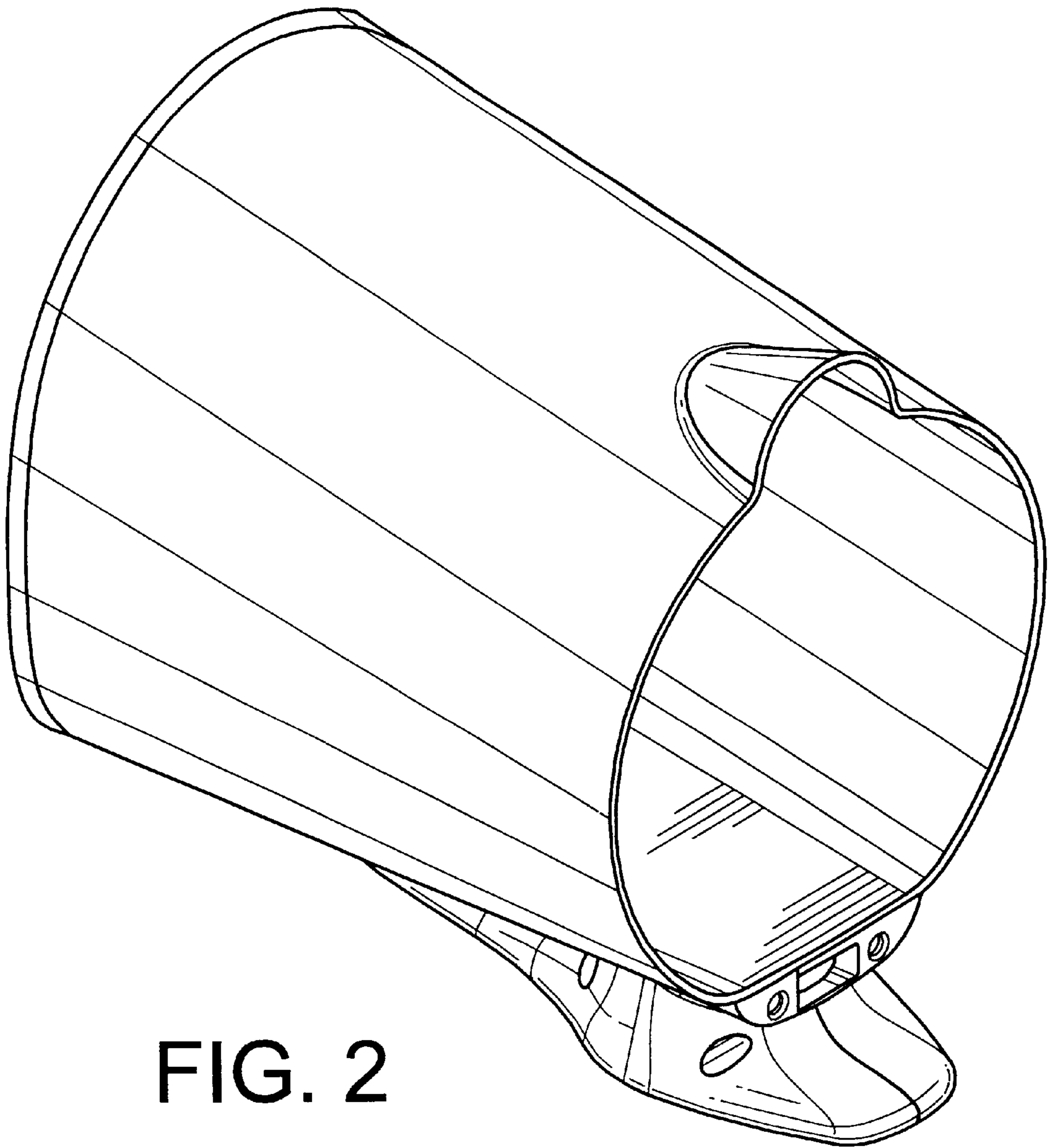


FIG. 2

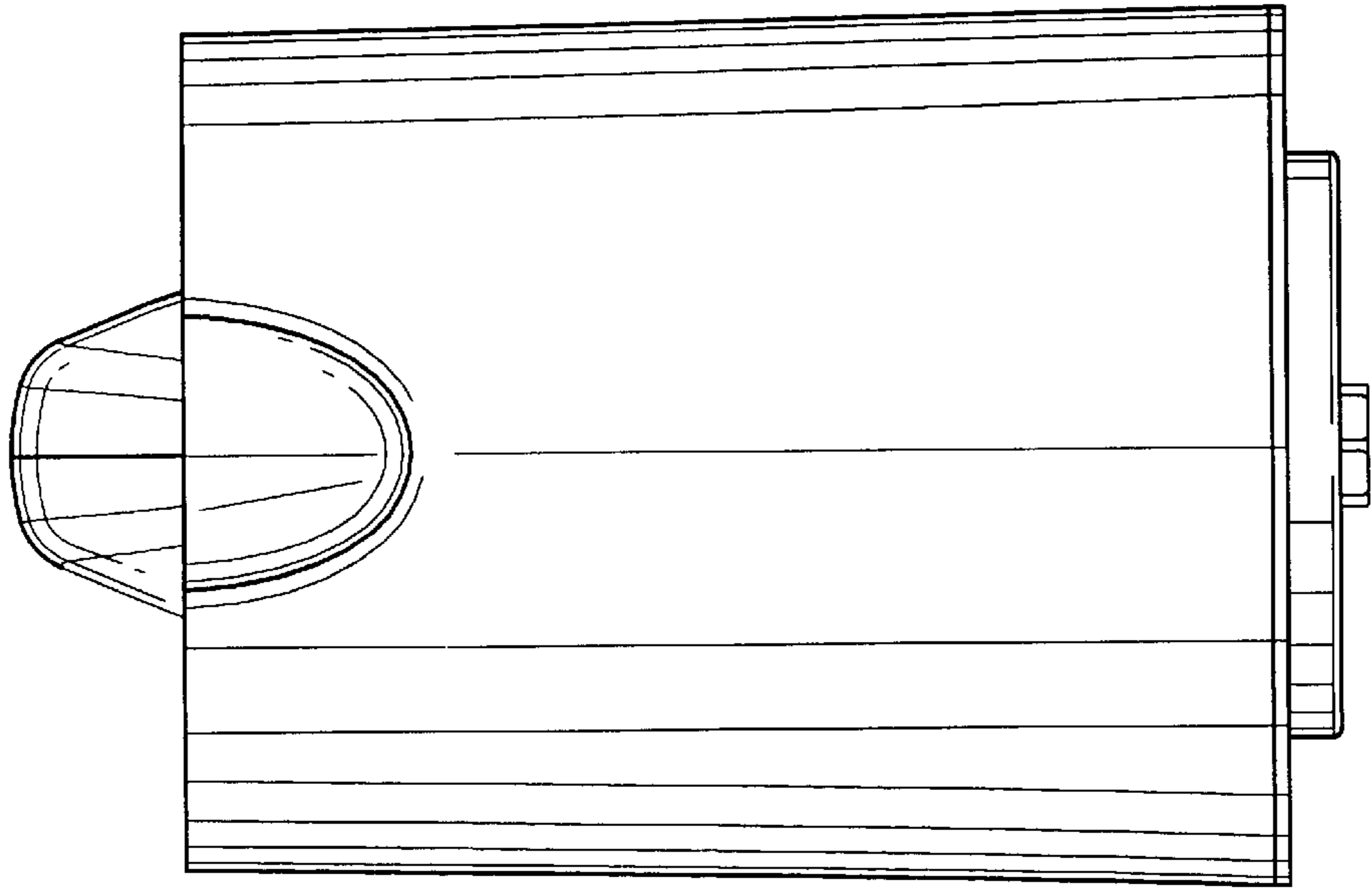


FIG. 4

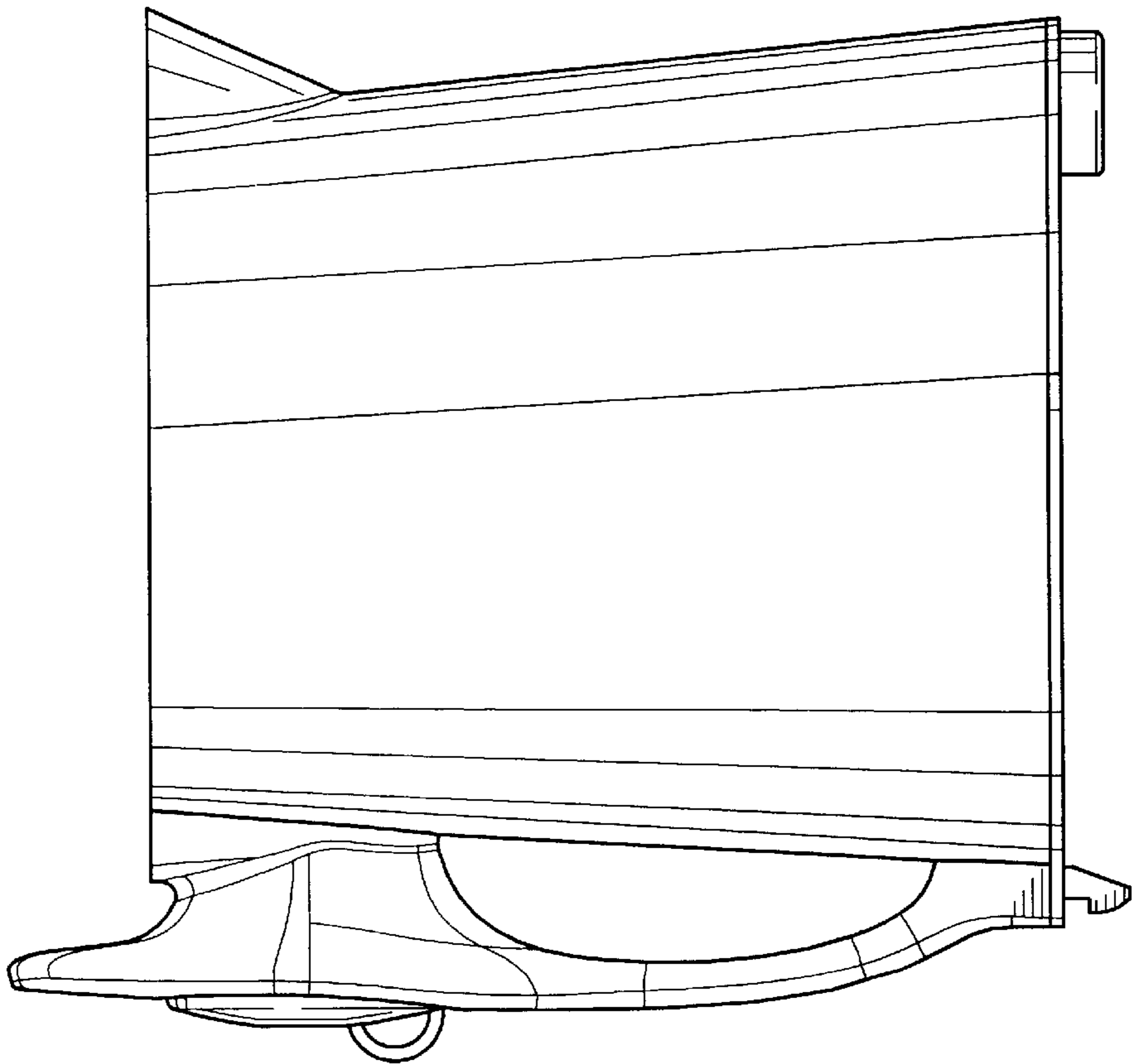


FIG. 3

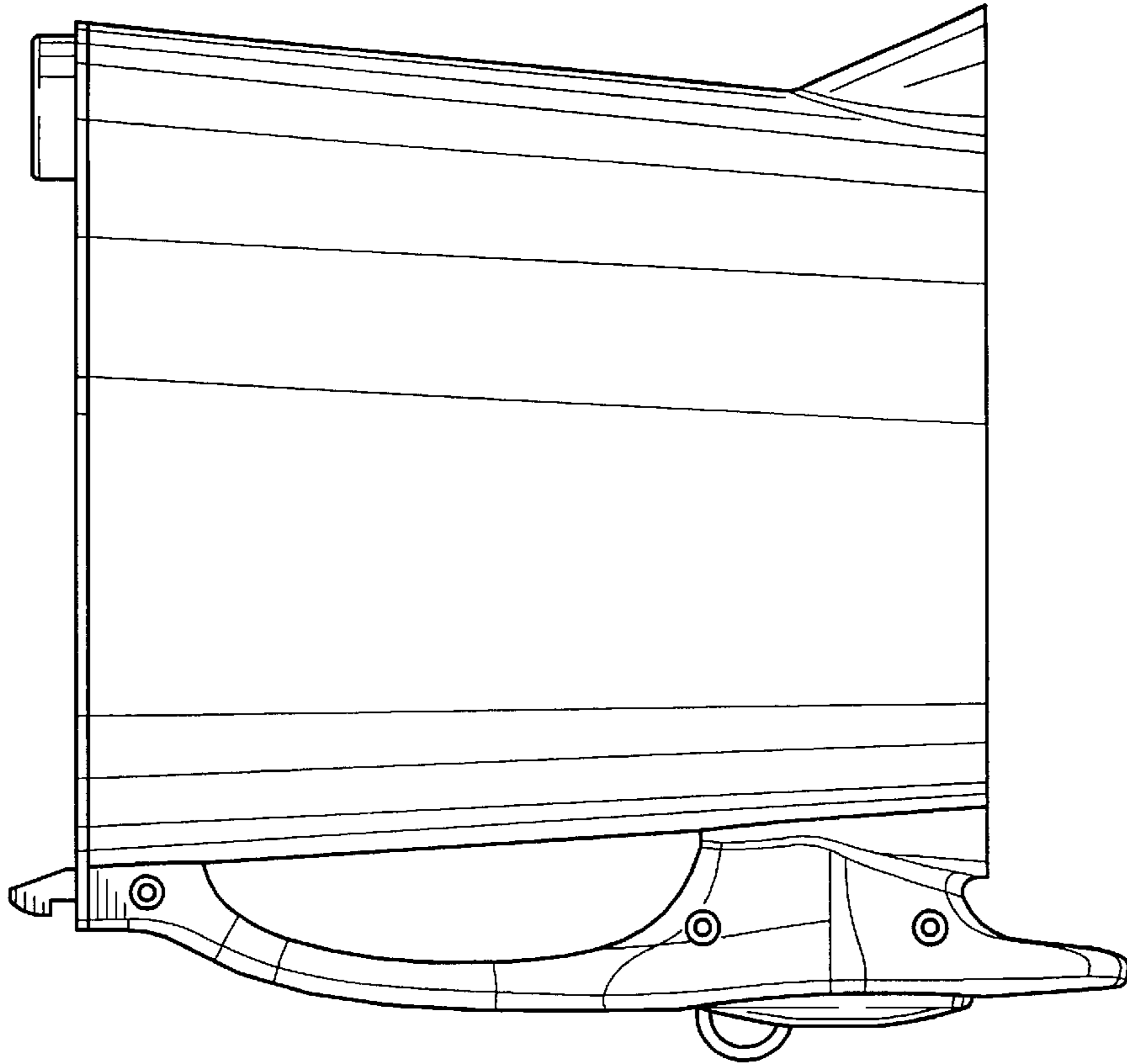


FIG. 5

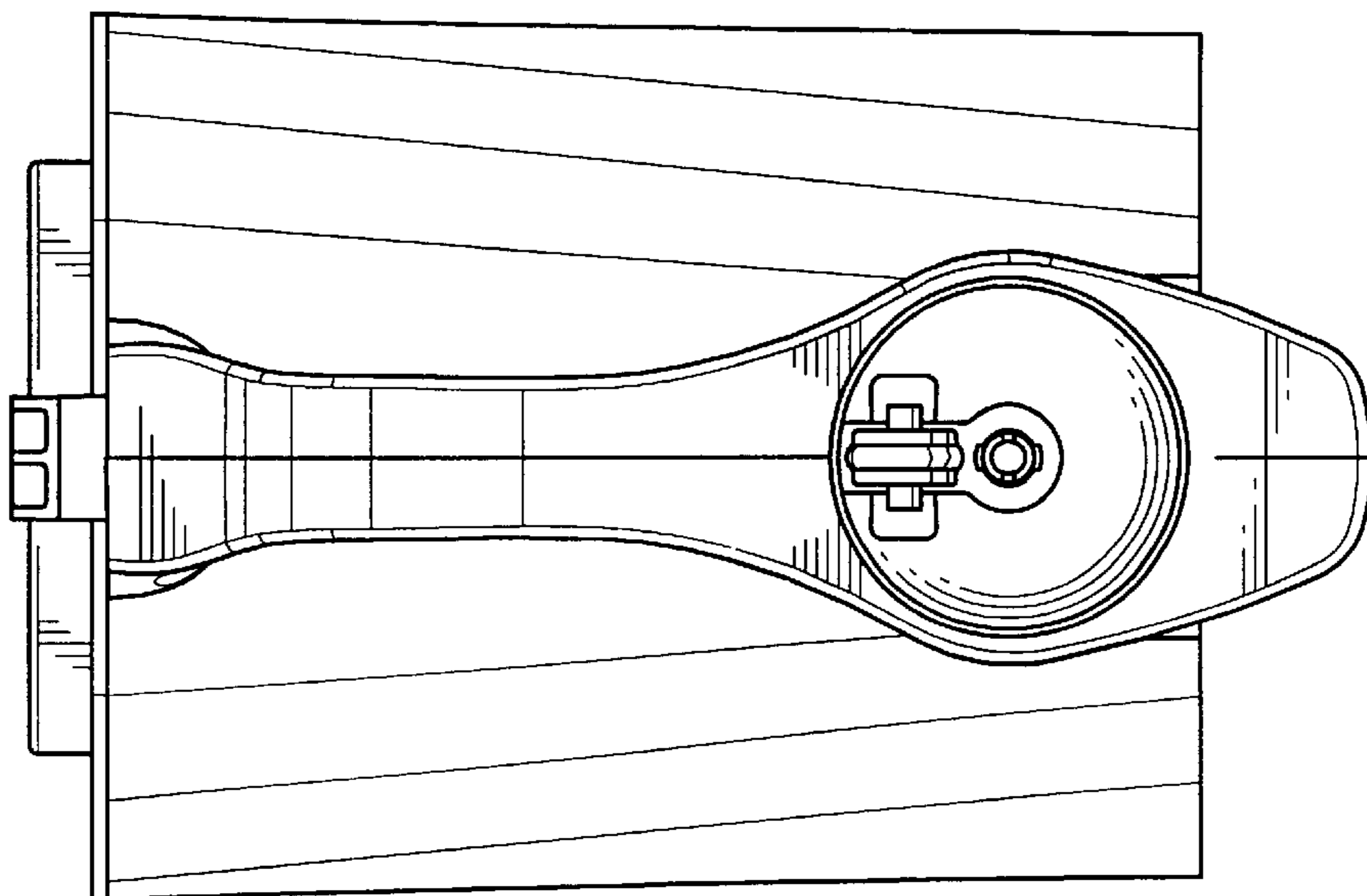


FIG. 6



FIG. 7

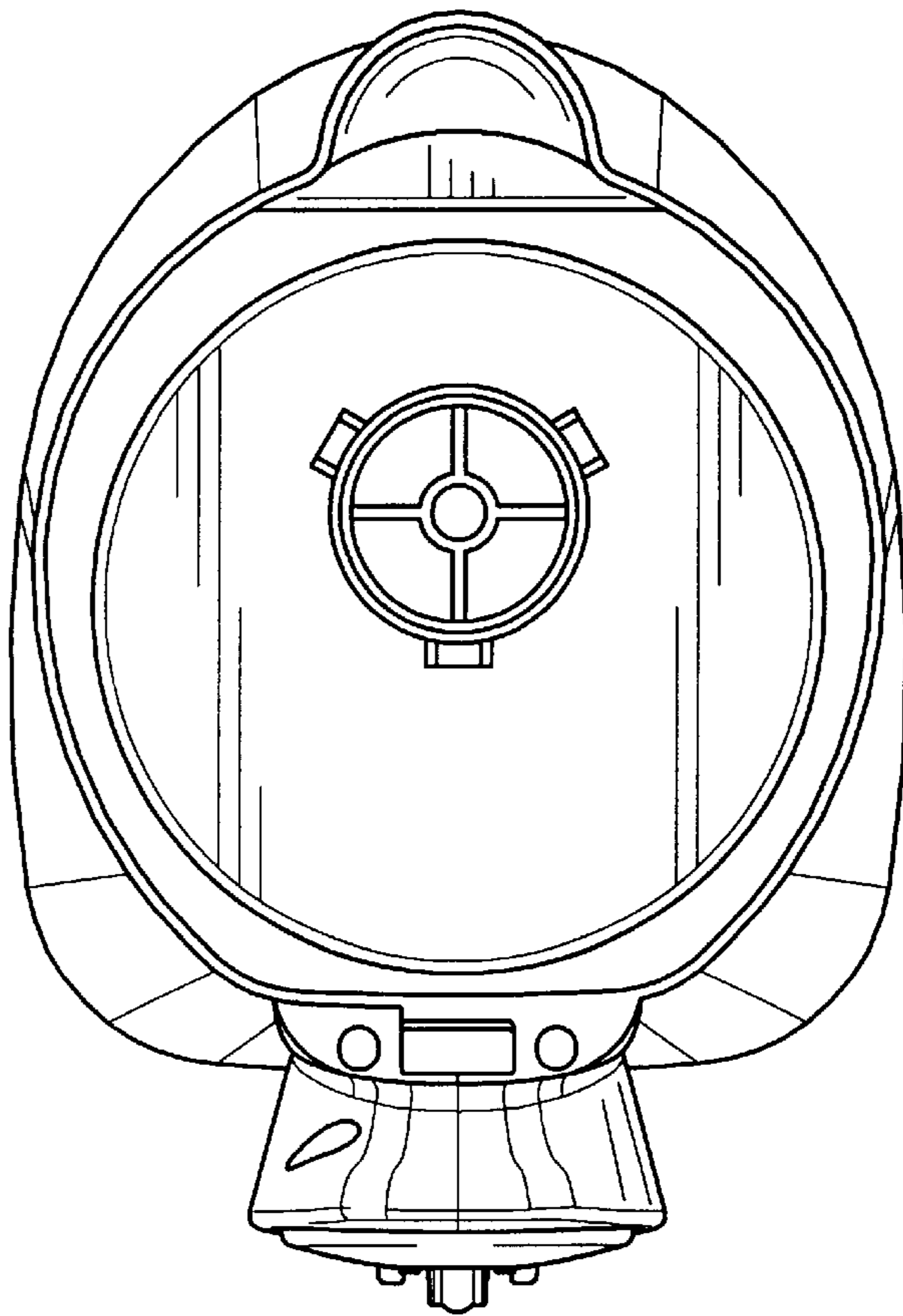


FIG. 8

