



US00D453244S

(12) **United States Design Patent**
Murphy et al.

(10) **Patent No.:** **US D453,244 S**

(45) **Date of Patent:** **** Jan. 29, 2002**

(54) **CANISTER VACUUM CLEANER**

(75) Inventors: **John S. Murphy**, Brookpark; **David Di Nunzio**, Mentor; **Robert A. Matousek**, Lakewood; **Jeffrey M. Kalman**, Cleveland Heights; **Craig M. Saunders**, Rocky River; **Michael F. Wright**, Stow; **Richard C. Farone**, Willoughby; **Mark E. Cipolla**, Chardon; **Paul D. Stephens**, Twinsburg; **Robert A. Salo**, Mentor, all of OH (US)

(73) Assignee: **Royal Appliance Mfg. Co.**, Glenwillow, OH (US)

(**) Term: **14 Years**

(21) Appl. No.: **29/130,791**

(22) Filed: **Oct. 6, 2000**

(51) **LOC (7) Cl.** **15-05**

(52) **U.S. Cl.** **D32/31; D32/21; D32/18; D32/24**

(58) **Field of Search** **D32/21, 22-24, D32/32-33, 25, 31; 15/398, 364, 400, 42, 322, 410, 412, 414, 415.1-422.1, 327.1-327.7, 377, 347, 344, 329**

(56) **References Cited**

U.S. PATENT DOCUMENTS

D295,566 S	5/1988	Hetherington et al.
D311,613 S	10/1990	Kuriya
D315,431 S	3/1991	Ikeda et al.
D325,270 S	4/1992	Shinozaki et al.
D325,273 S	4/1992	Ikeda et al.

D355,283 S	*	2/1995	Thomas et al.	D32/24
D399,616 S	*	10/1998	Bobrosky et al.	D32/21
D403,475 S		12/1998	Mehaffey et al.		
D417,323 S		11/1999	Fujita et al.		
D422,763 S	*	4/2000	Tsuda	D32/21
D424,764 S	*	5/2000	Collins et al.	D32/21
D432,746 S	*	10/2000	Frey	D32/24
6,145,160 A	*	11/2000	Buss et al.	15/323

* cited by examiner

Primary Examiner—Ruth McInroy

(74) *Attorney, Agent, or Firm*—Fay, Sharpe, Fagan, Minnich & McKee, LLP

(57) **CLAIM**

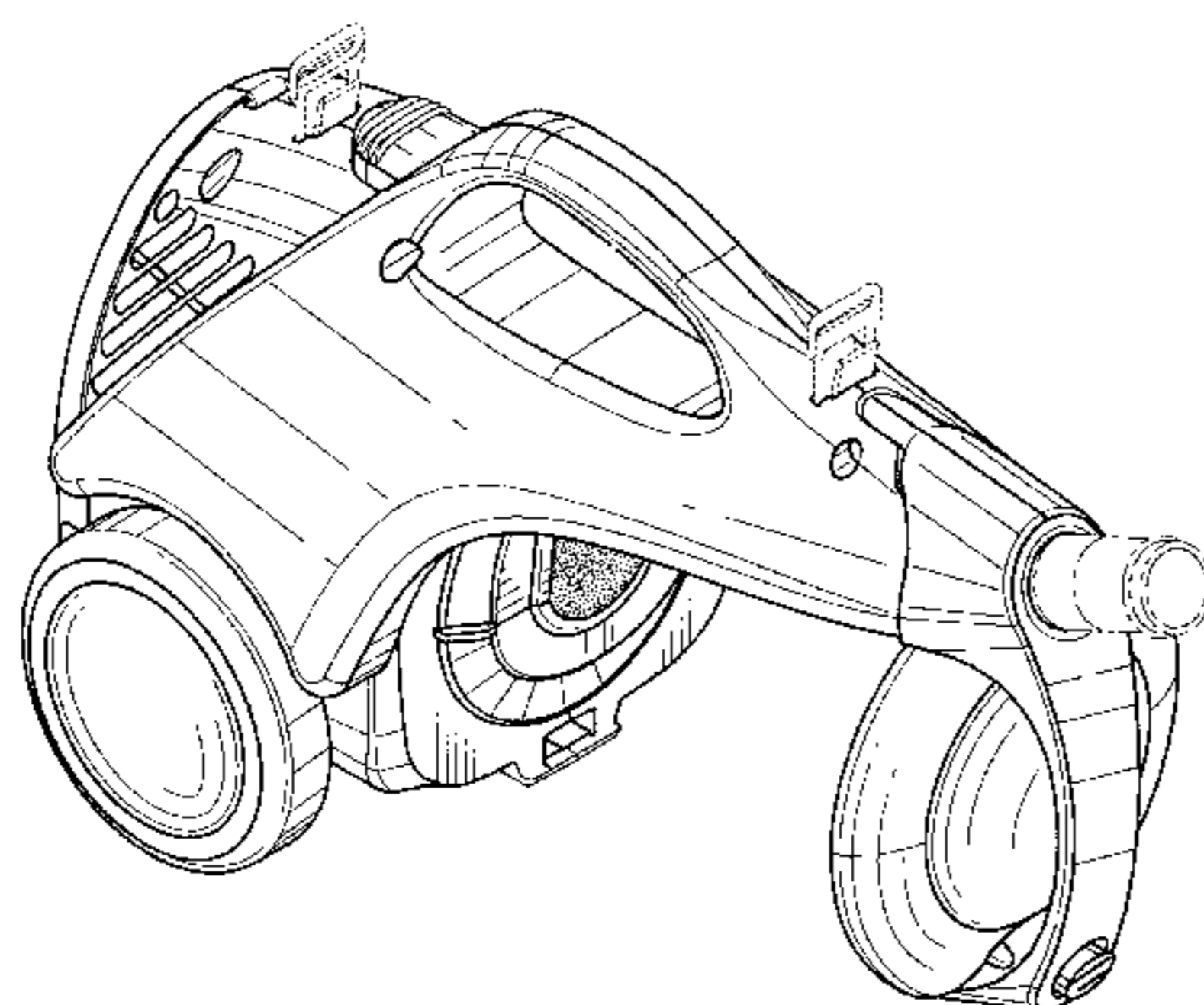
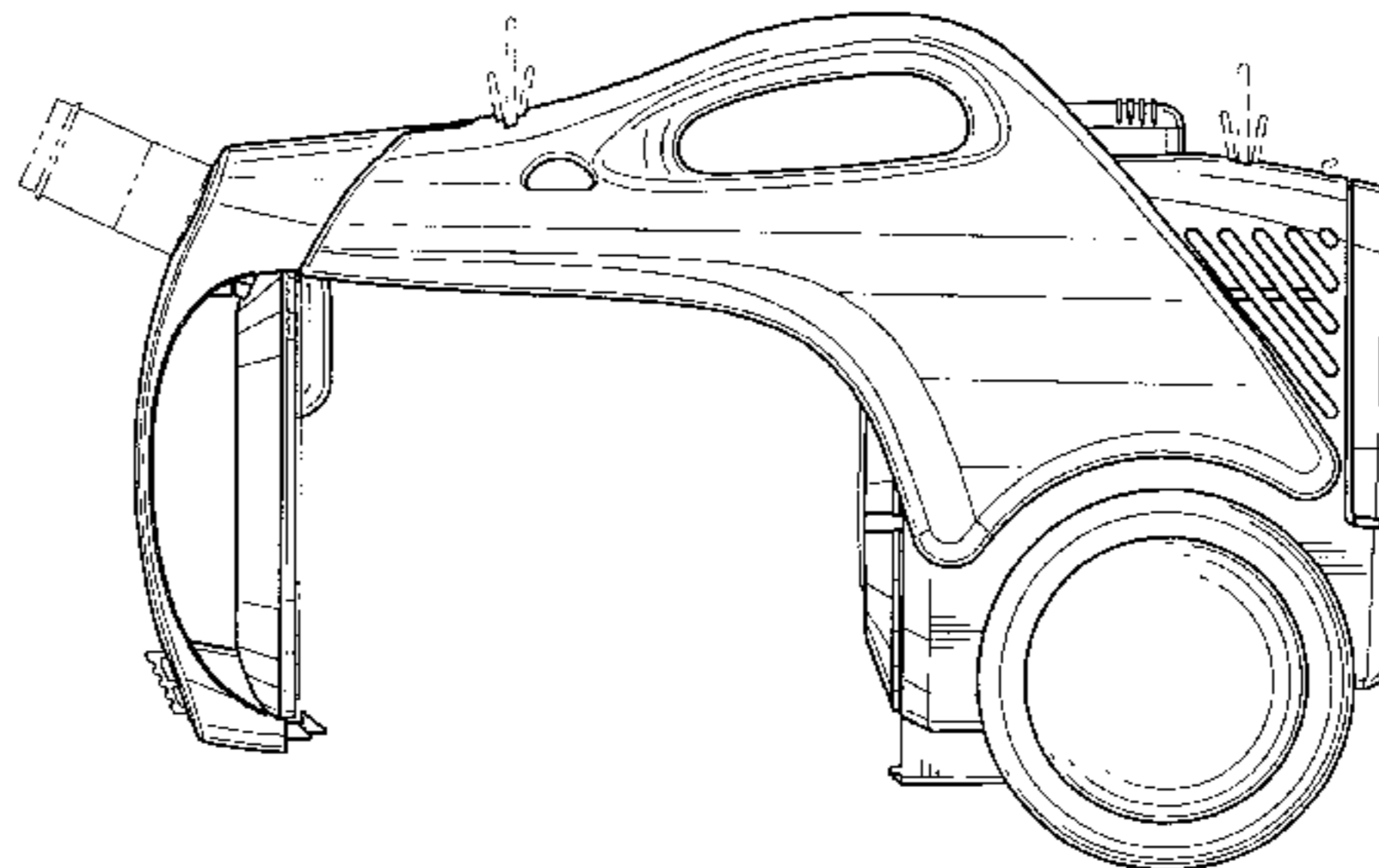
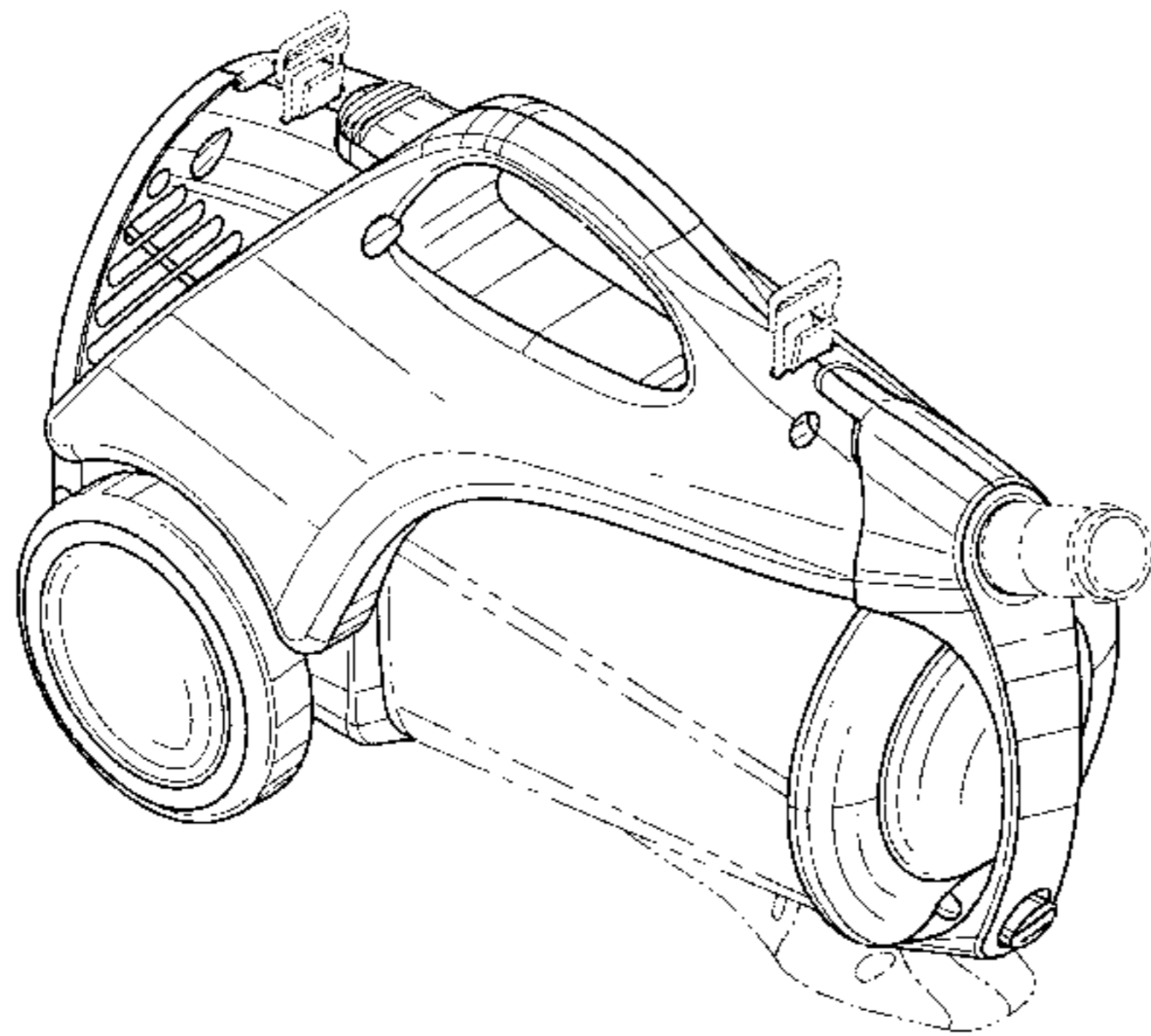
The ornamental design for a canister vacuum cleaner, as shown and described.

DESCRIPTION

FIG. 1 is a perspective view of a canister vacuum cleaner showing our new design as it holds a dust cup; FIG. 2 is a perspective view thereof without the dust cup; FIG. 3 is a right side elevational view thereof; FIG. 4 is a top plan view thereof; FIG. 5 is a left side elevational view thereof; FIG. 6 is a bottom plan view thereof; FIG. 7 is a front elevational view thereof; FIG. 8 is a rear elevational view thereof; and, FIG. 9 is a left side elevational view thereof, when rotated 90 degrees to rest on its rear end, with a lid shown in an open position.

The parts shown in broken lines in FIGS. 1-9 are shown for illustrative purposes only and form no part of the claimed design.

1 Claim, 6 Drawing Sheets



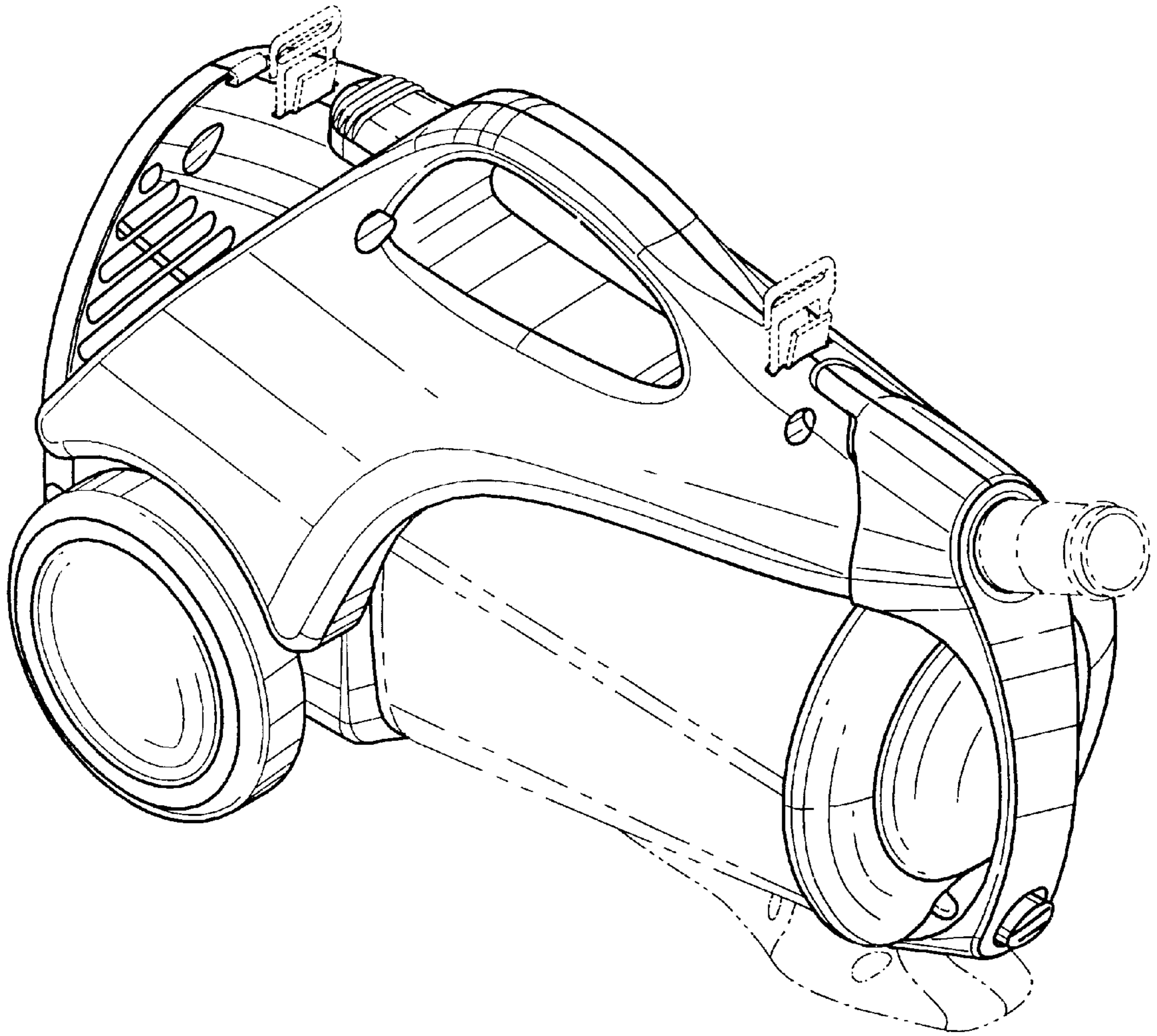


FIG. 1

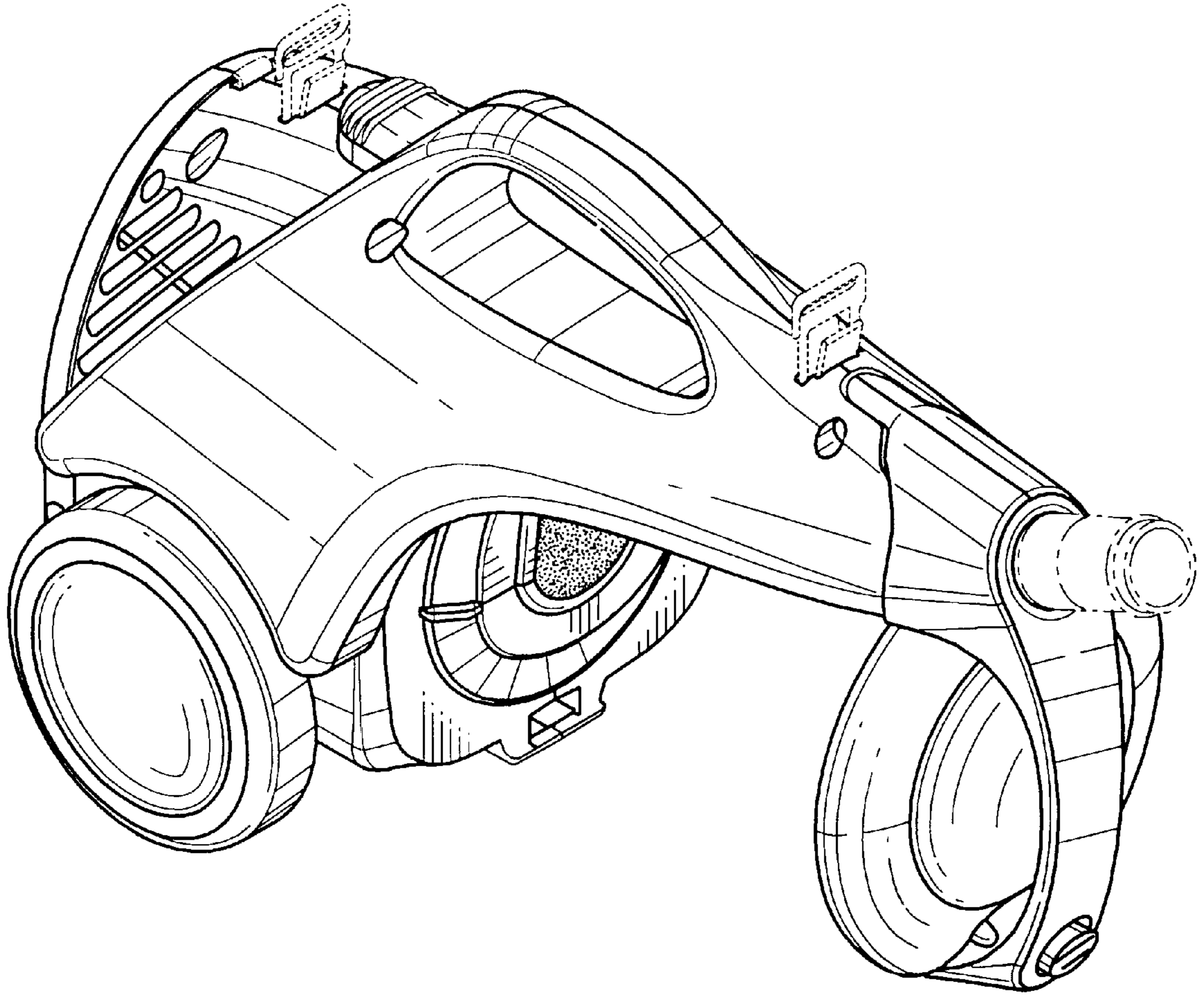


FIG. 2

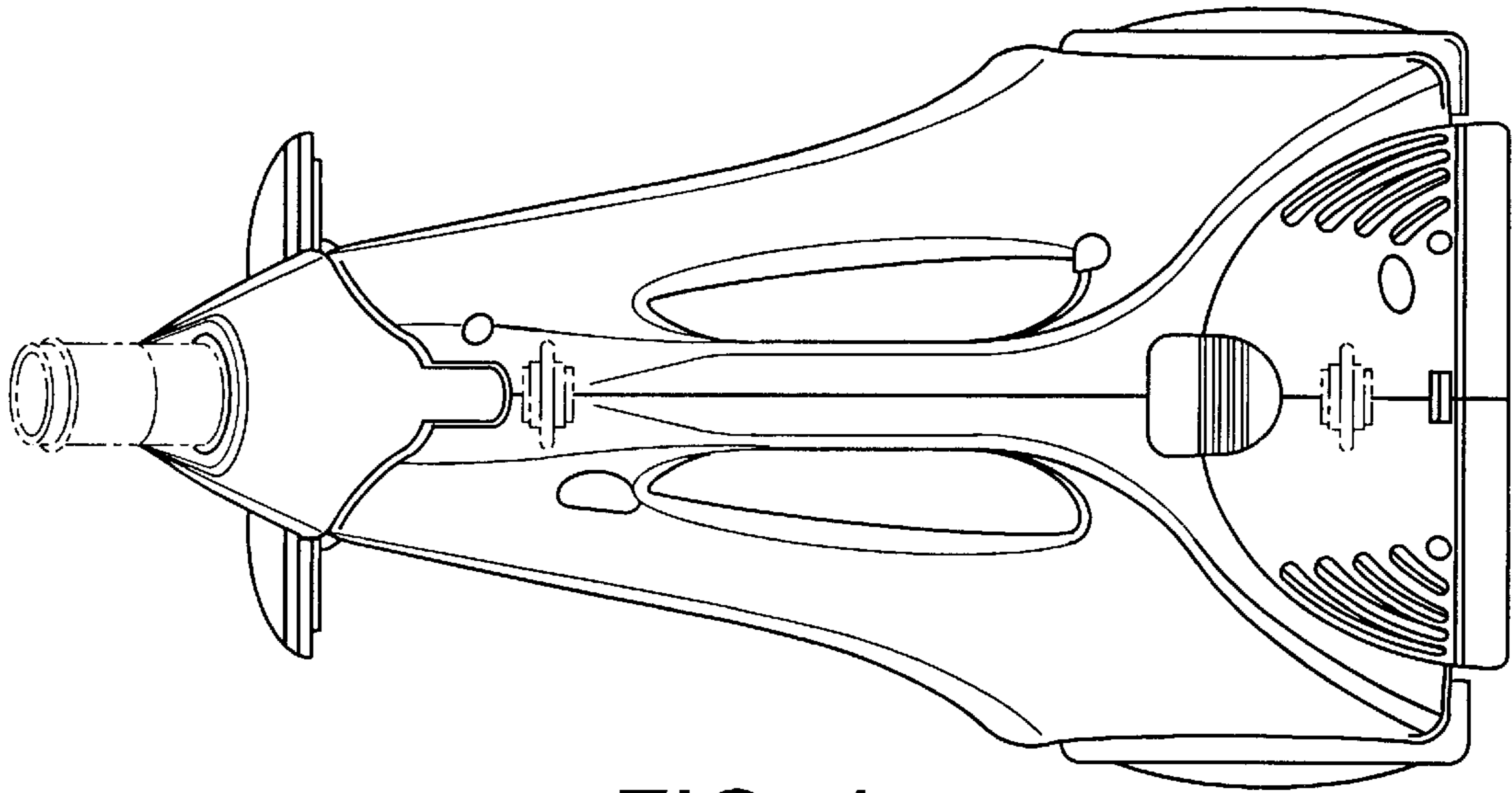


FIG. 4

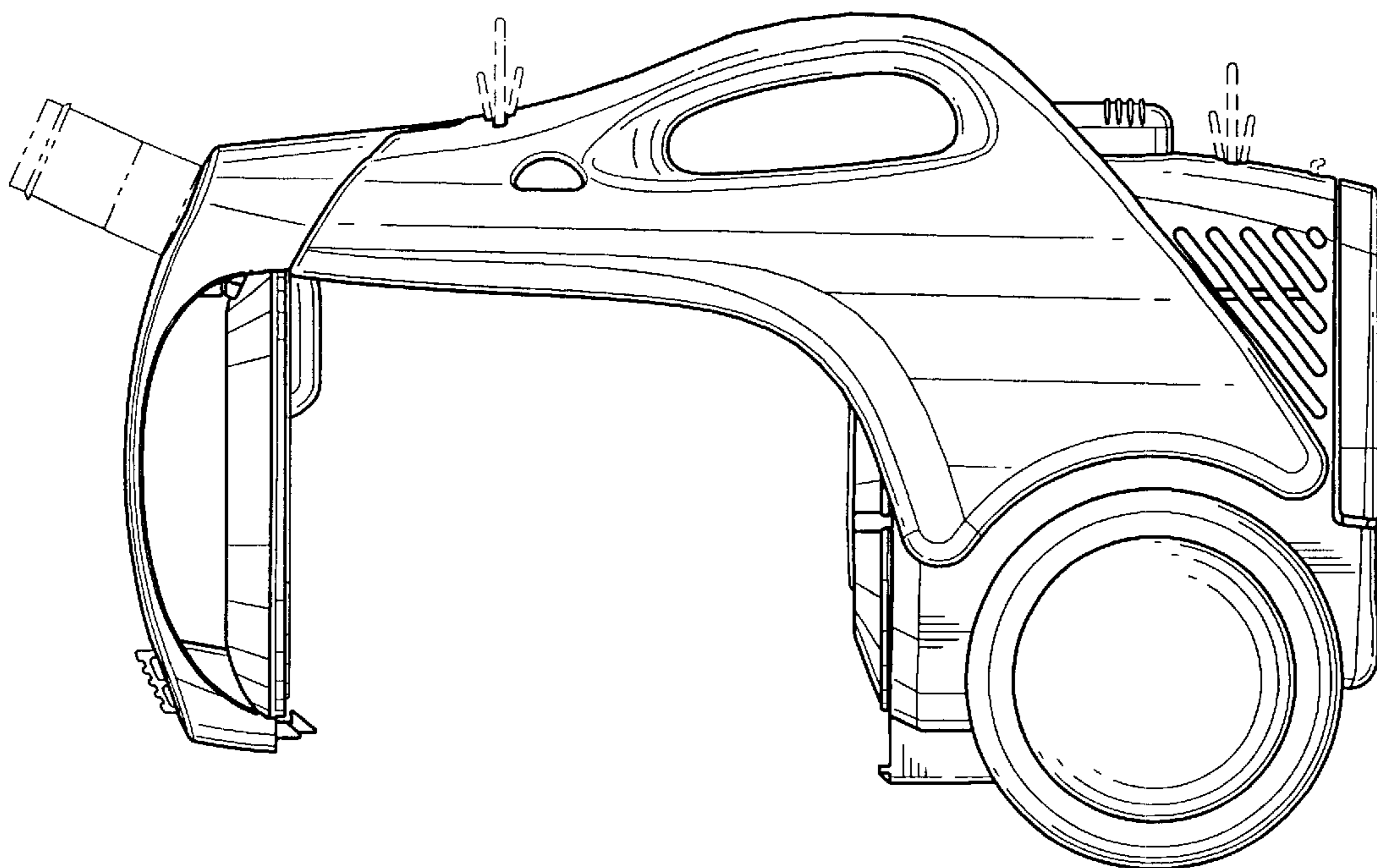


FIG. 3

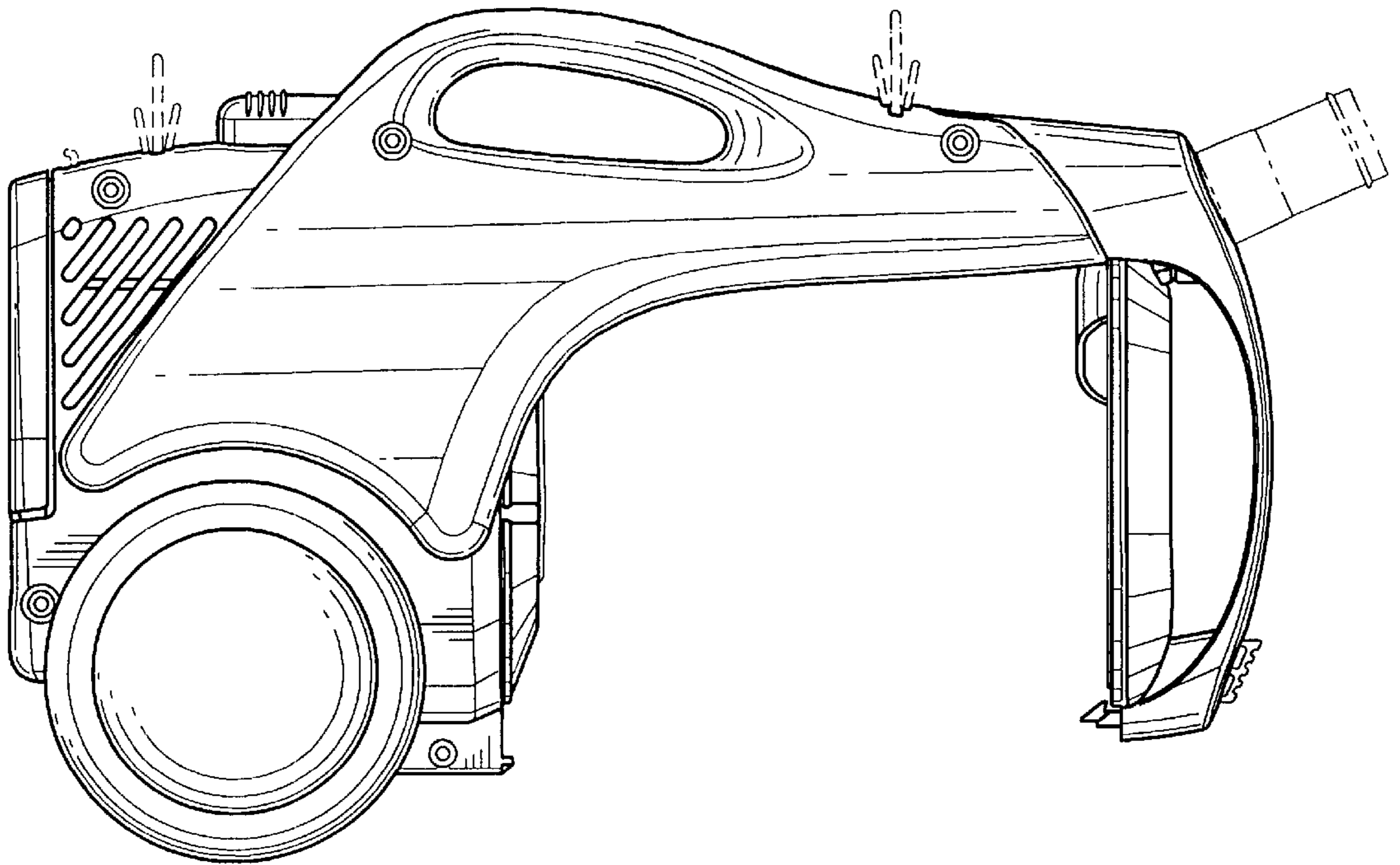


FIG. 5

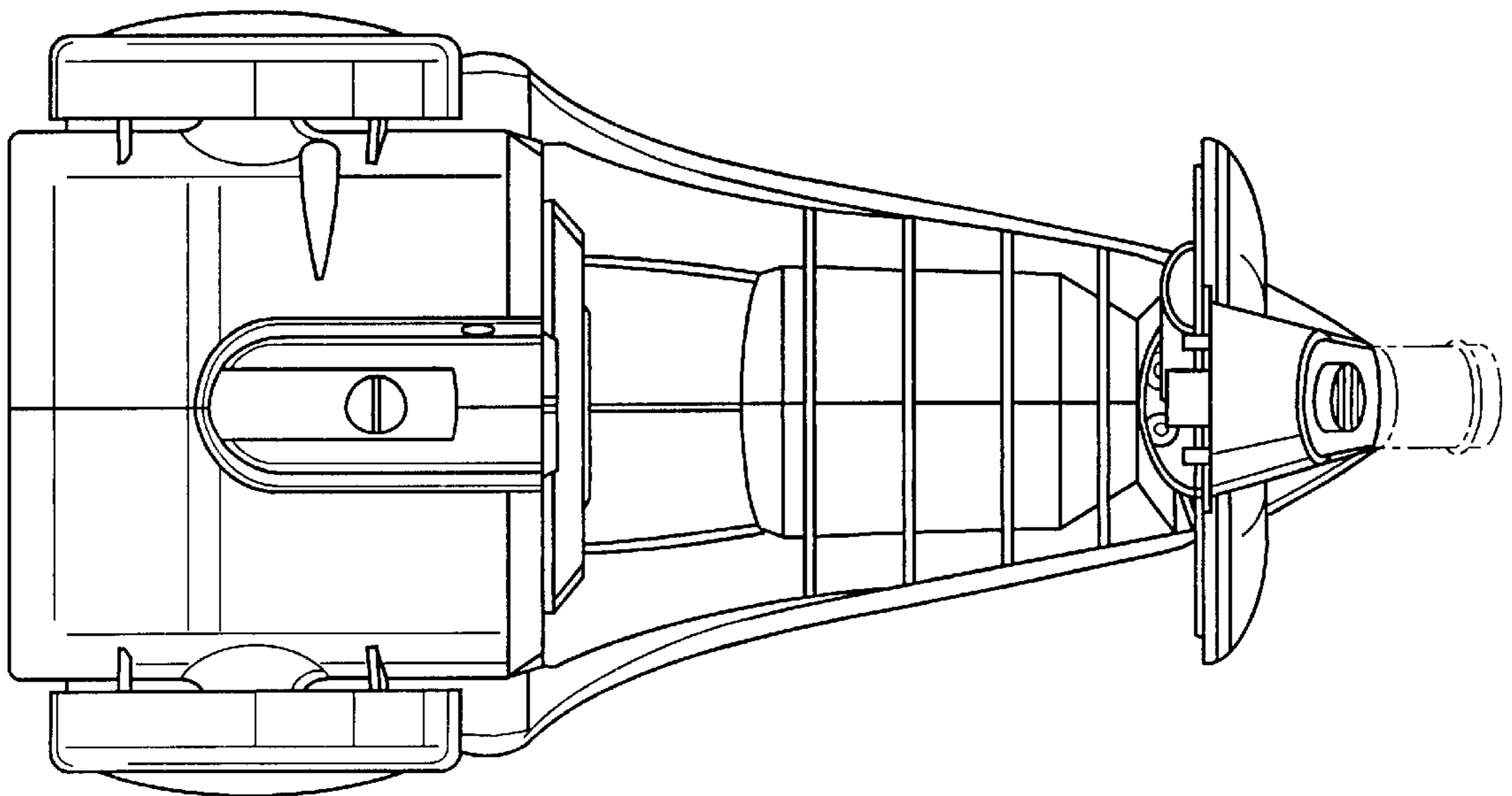


FIG. 6

FIG. 7

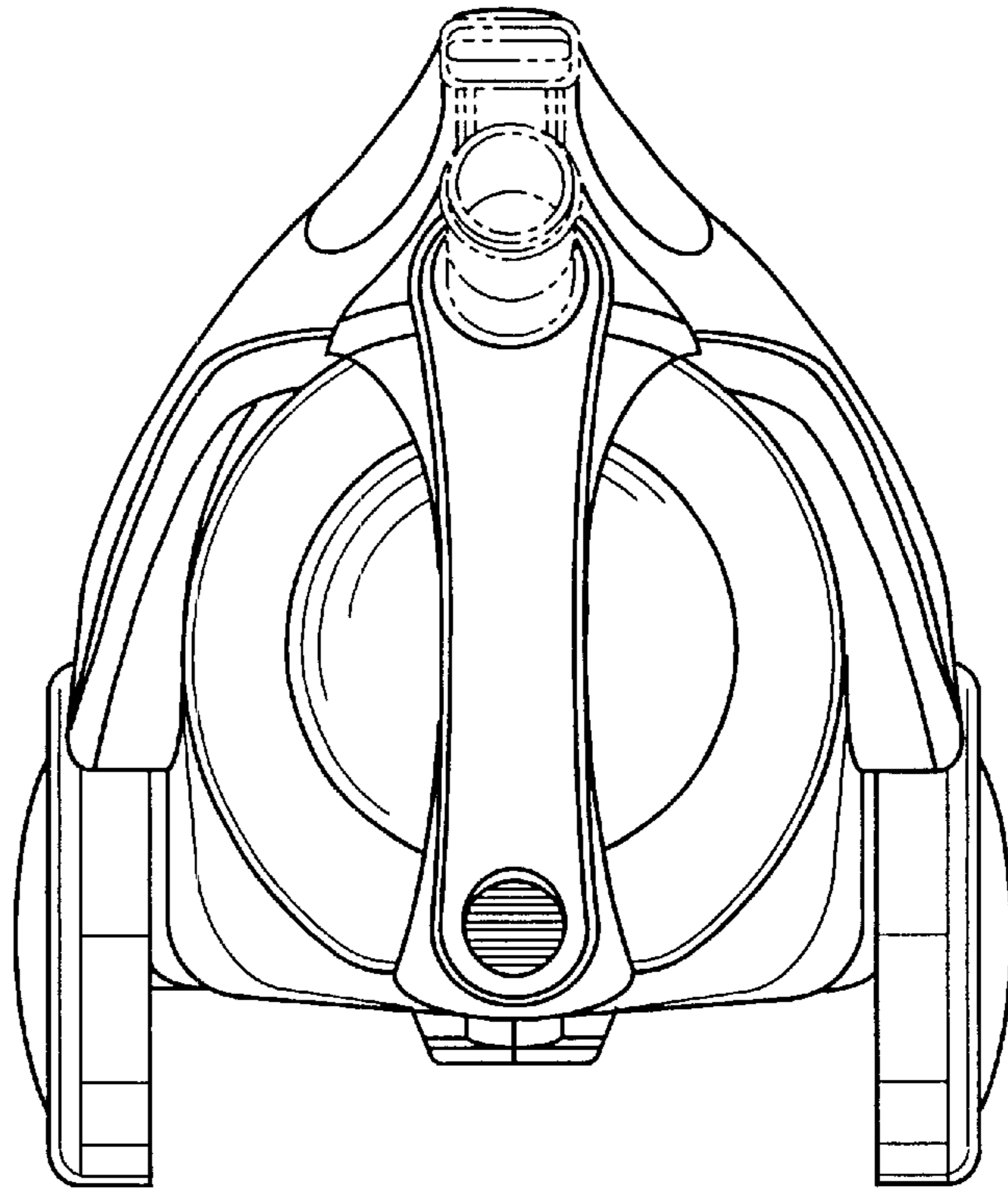
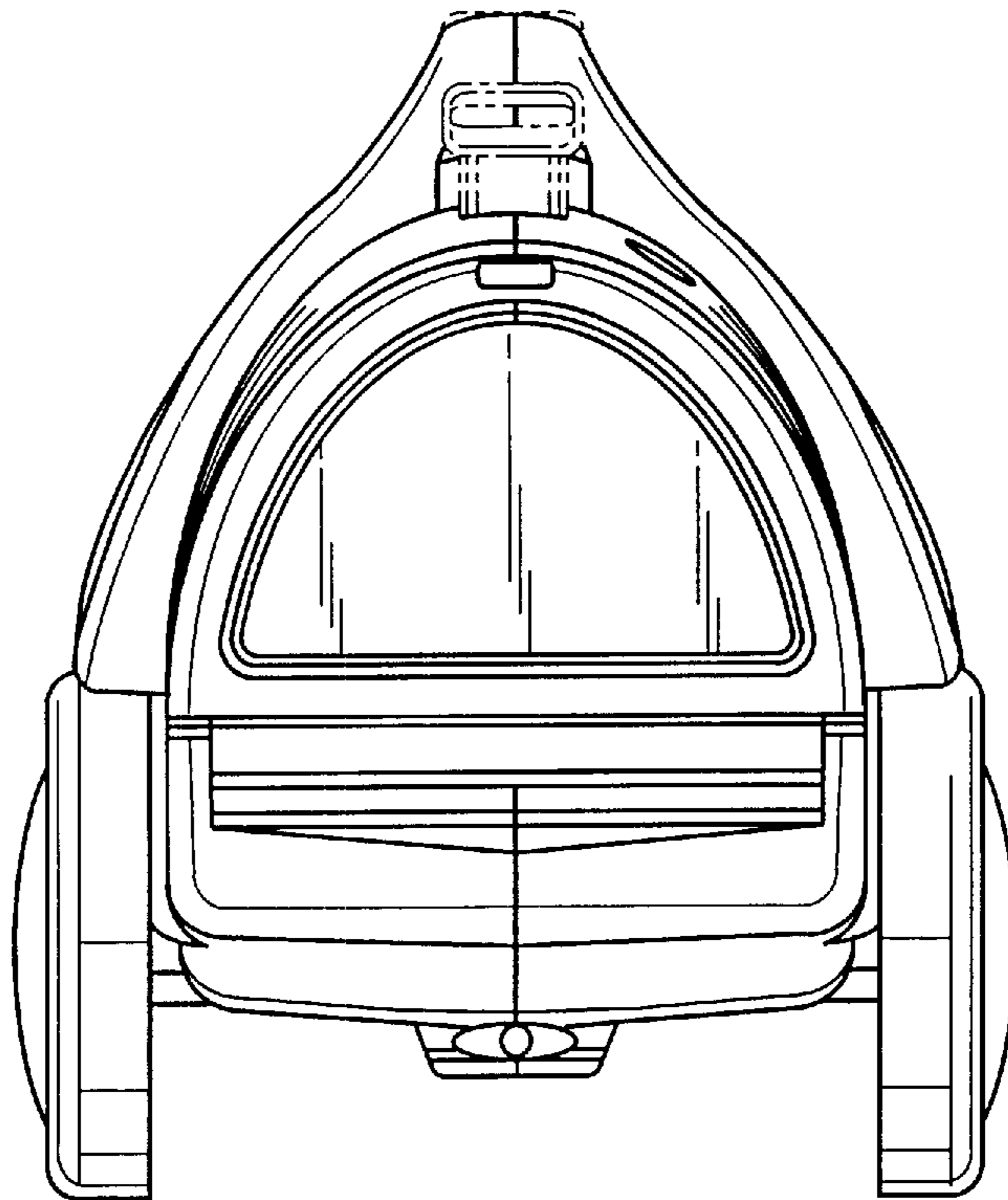


FIG. 8



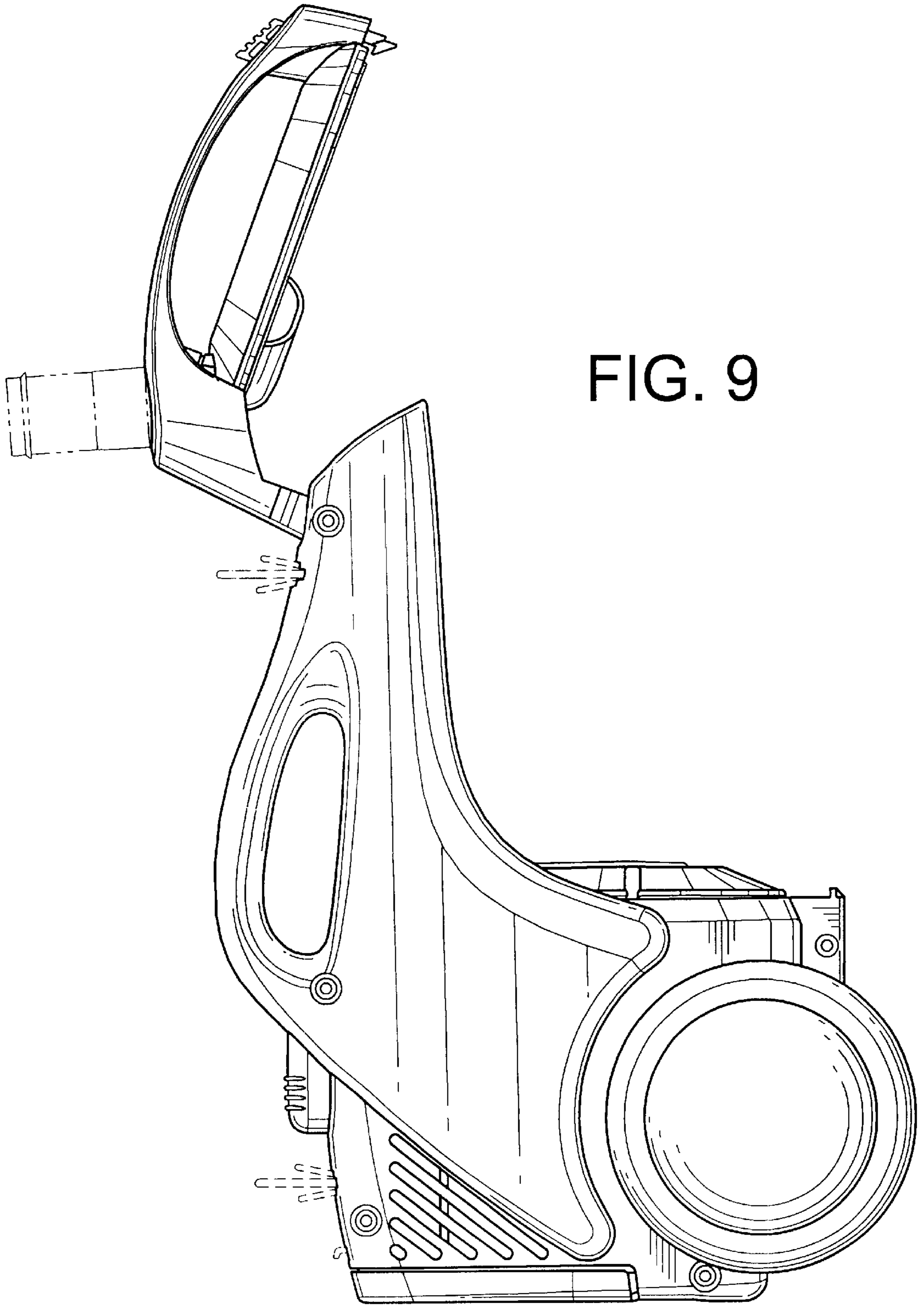


FIG. 9