



US00D453243S

(12) **United States Design Patent**
Burke

(10) **Patent No.:** **US D453,243 S**
(45) **Date of Patent:** **** Jan. 29, 2002**

(54) **FERRET LITTER PAN**

(75) **Inventor:** **Stacey Renae Burke**, Valley Center,
CA (US)

(73) **Assignee:** **Lee's Aquarium & Pet Products**, San
Marcos, CA (US)

(**) **Term:** **14 Years**

(21) **Appl. No.:** **29/139,001**

(22) **Filed:** **Mar. 20, 2001**

(51) **LOC (7) Cl.** **30-99**

(52) **U.S. Cl.** **D30/161**

(58) **Field of Search** D80/108-119,
D80/161; D30/124-128, 129-133; 119/28.5,
703, 706, 161, 165-166, 168-170, 416,
474, 452-456, 459, 467, 482, 436, 496-497,
500-502, 454, 475, 408, 410, 464-465,
460, 466, 477; 4/484; D32/53.1

(56) **References Cited**

U.S. PATENT DOCUMENTS

D30,435 S	*	3/1899	Bradley	D30/161
2,469,784 A	*	5/1949	Quinn	119/161
2,963,003 A	*	12/1960	Oberg et al.	119/166
D214,739 S	*	7/1969	Freeborn	D30/161
3,554,165 A	*	1/1971	Carter	119/477
D237,392 S	*	10/1975	Freeborn	D30/161

D288,253 S	*	2/1987	Hatton et al.	D30/161
D289,452 S	*	4/1987	Fuller	D30/132
4,836,141 A	*	6/1989	Whitfield	119/169
D362,470 S	*	9/1995	Smith	D21/443
5,447,118 A	*	9/1995	Huff et al.	119/169
D366,311 S	*	1/1996	Bonnell	D30/161
5,511,511 A	*	4/1996	Voren	119/477

OTHER PUBLICATIONS

R.C. Steele Wholesale Pet Supplies catalog; p. 67;
#W45-1176—Queen Ann Bed.*

* cited by examiner

Primary Examiner—Cathy Anne MacCormac

(74) *Attorney, Agent, or Firm*—John J. Murphey

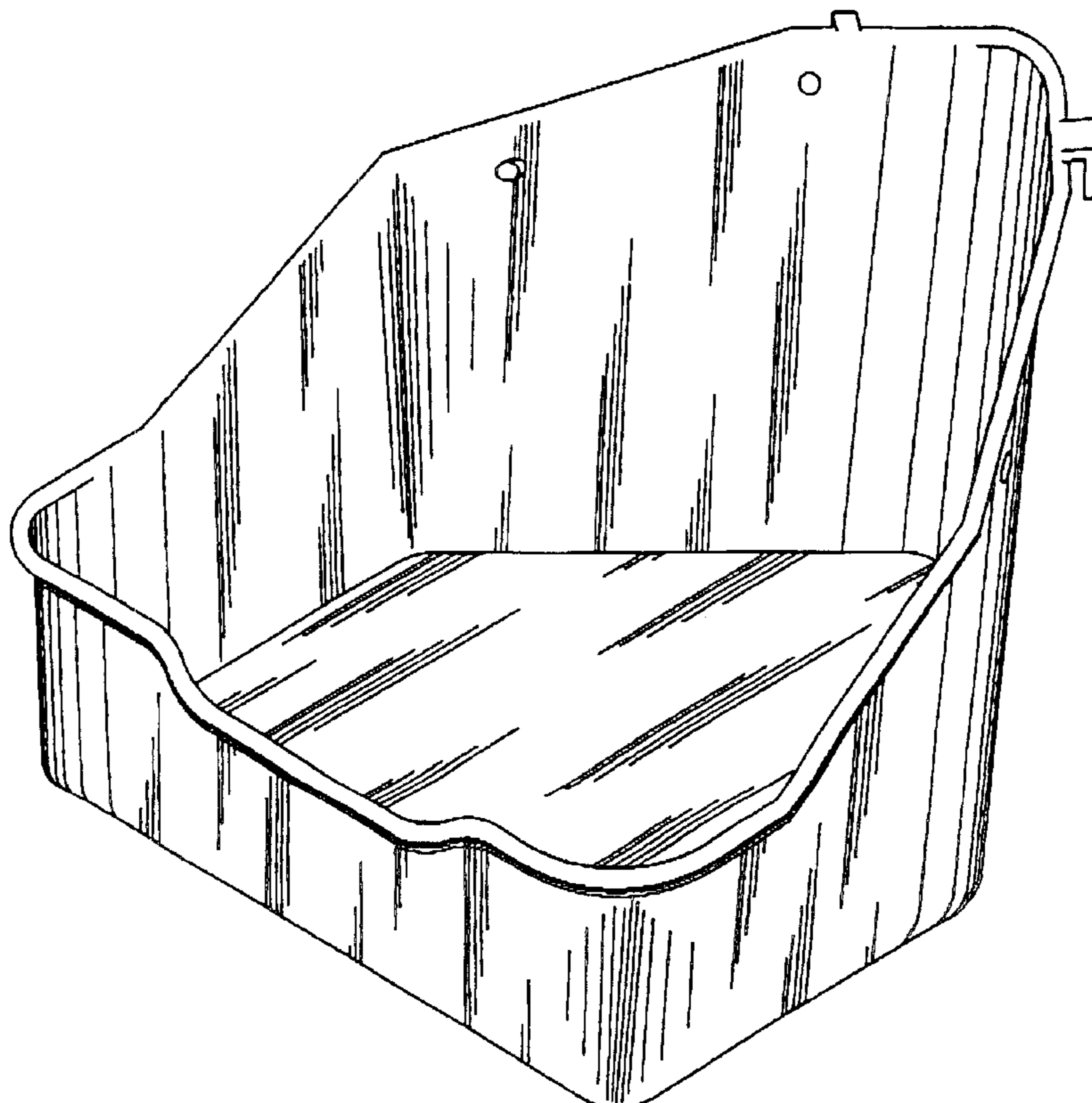
(57) **CLAIM**

The ornamental design for a ferret litter pan, as shown.

DESCRIPTION

FIG. 1 is a front perspective view of the ferret litter pan showing my new design;
FIG. 2 is a left side elevational view thereof with the right side elevational view being a mirror image thereof;
FIG. 3 is a rear elevational view thereof;
FIG. 4 is a top plan view thereof; and,
FIG. 5 is a bottom plan view of my design; and,
FIG. 6 is a front elevational view thereof.

1 Claim, 3 Drawing Sheets



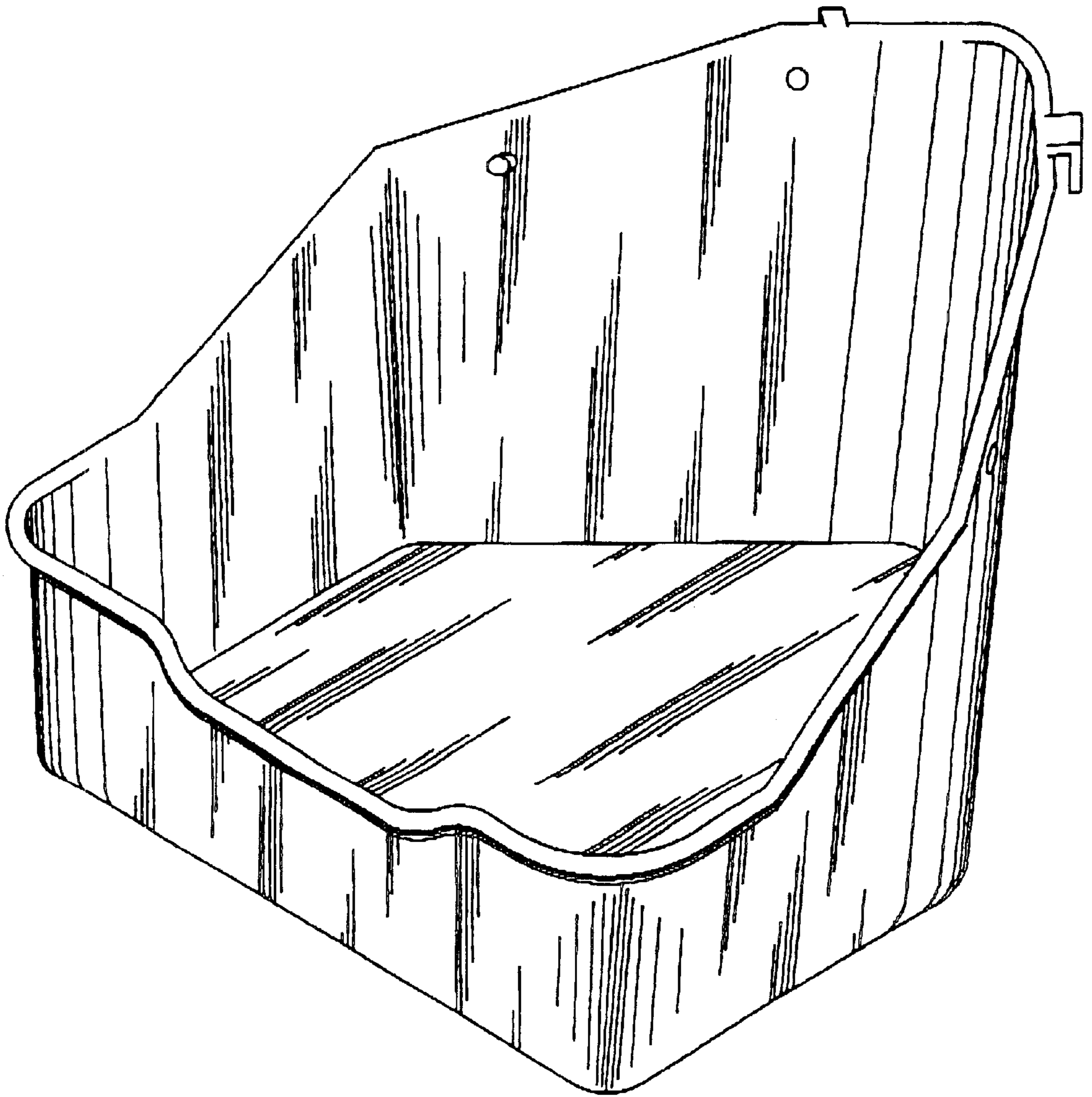


Figure 1

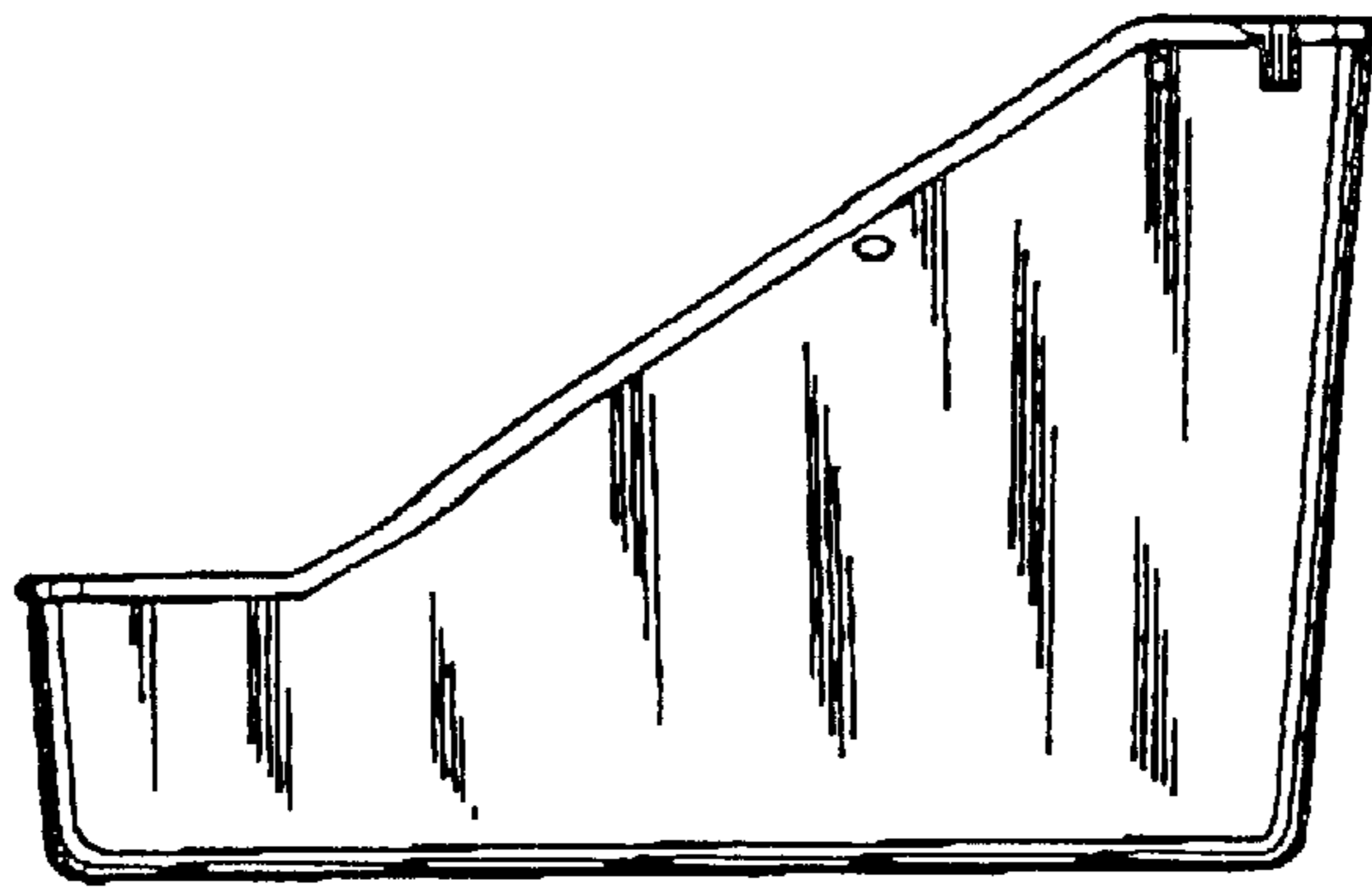


Figure 2

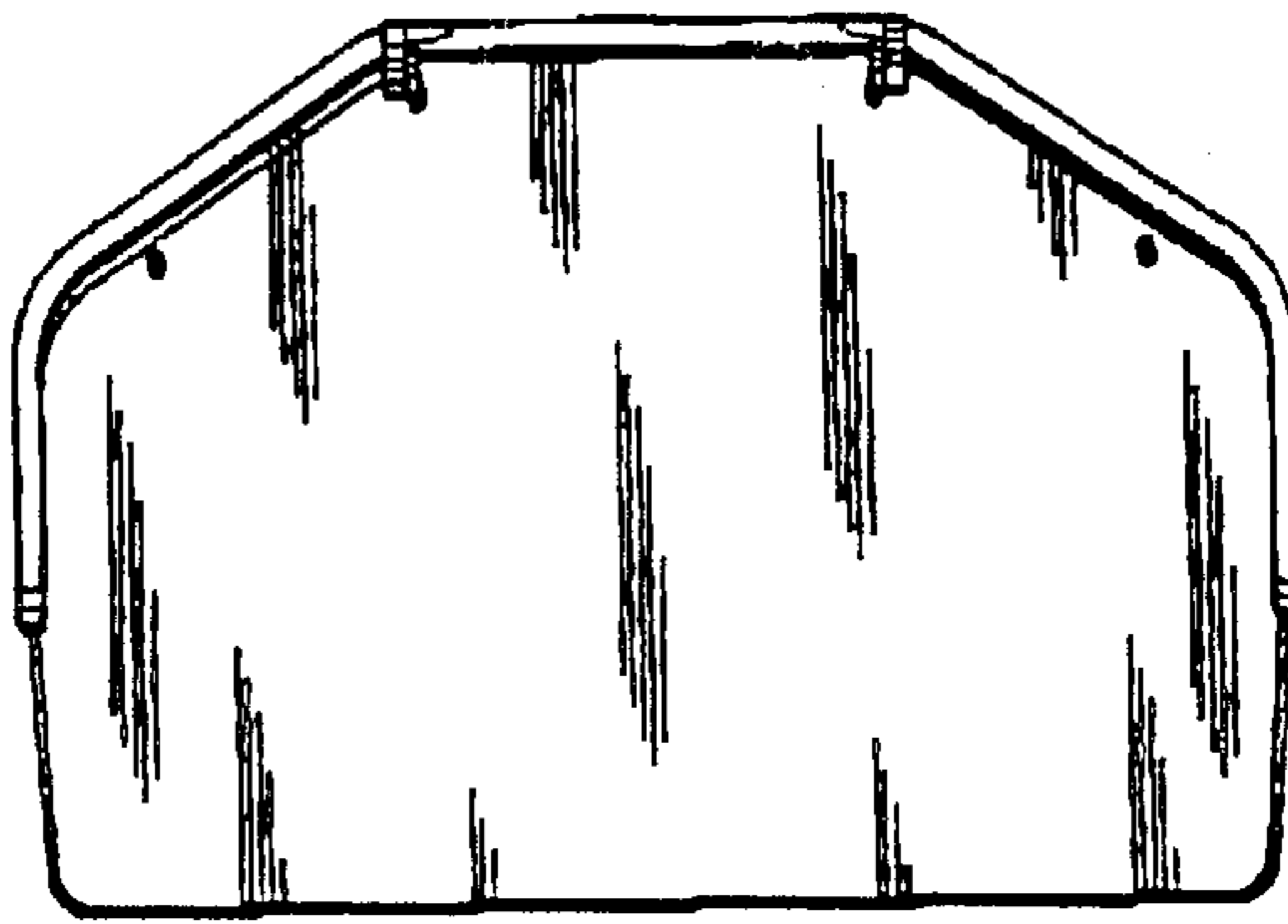


Figure 3

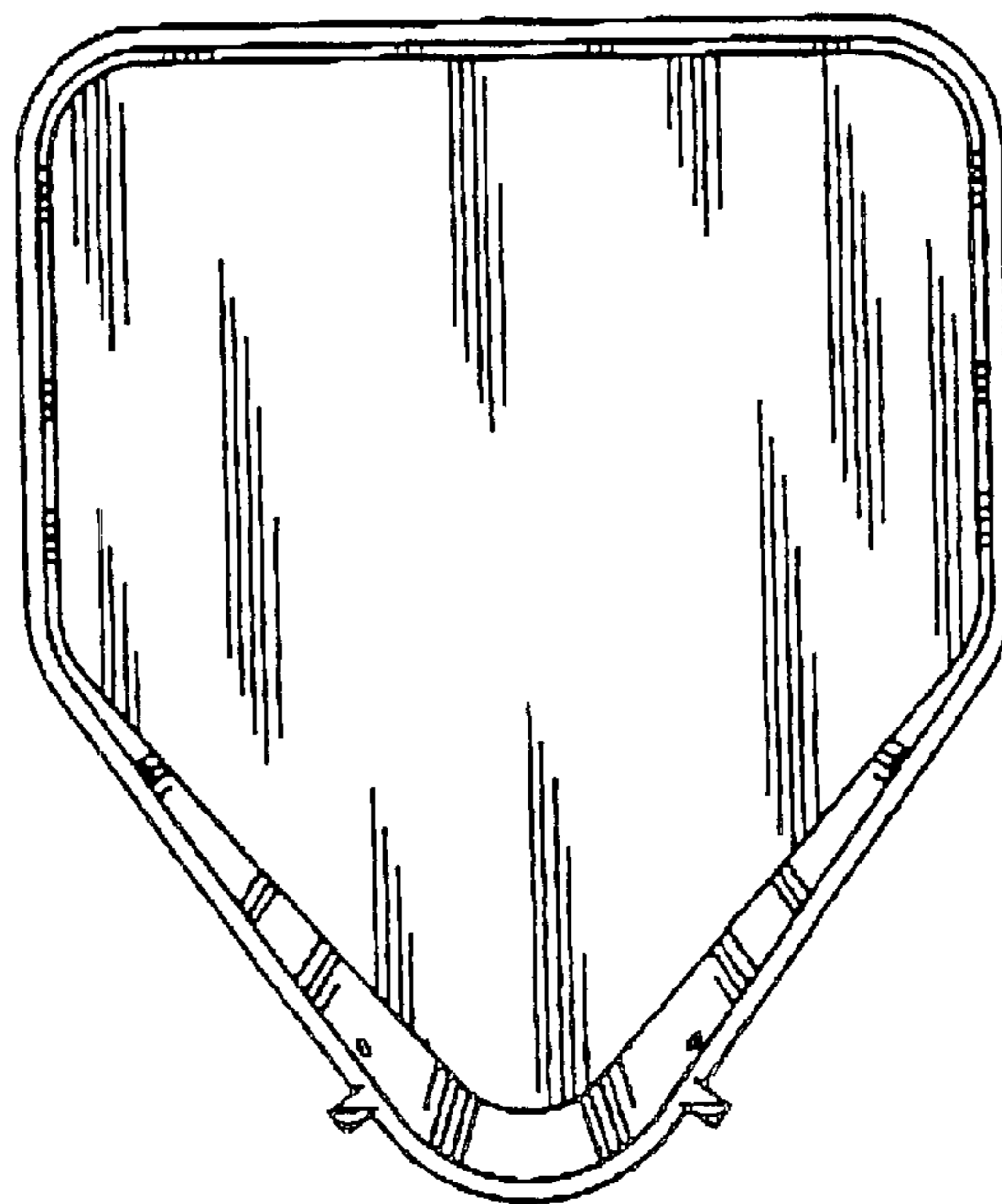


Figure 4

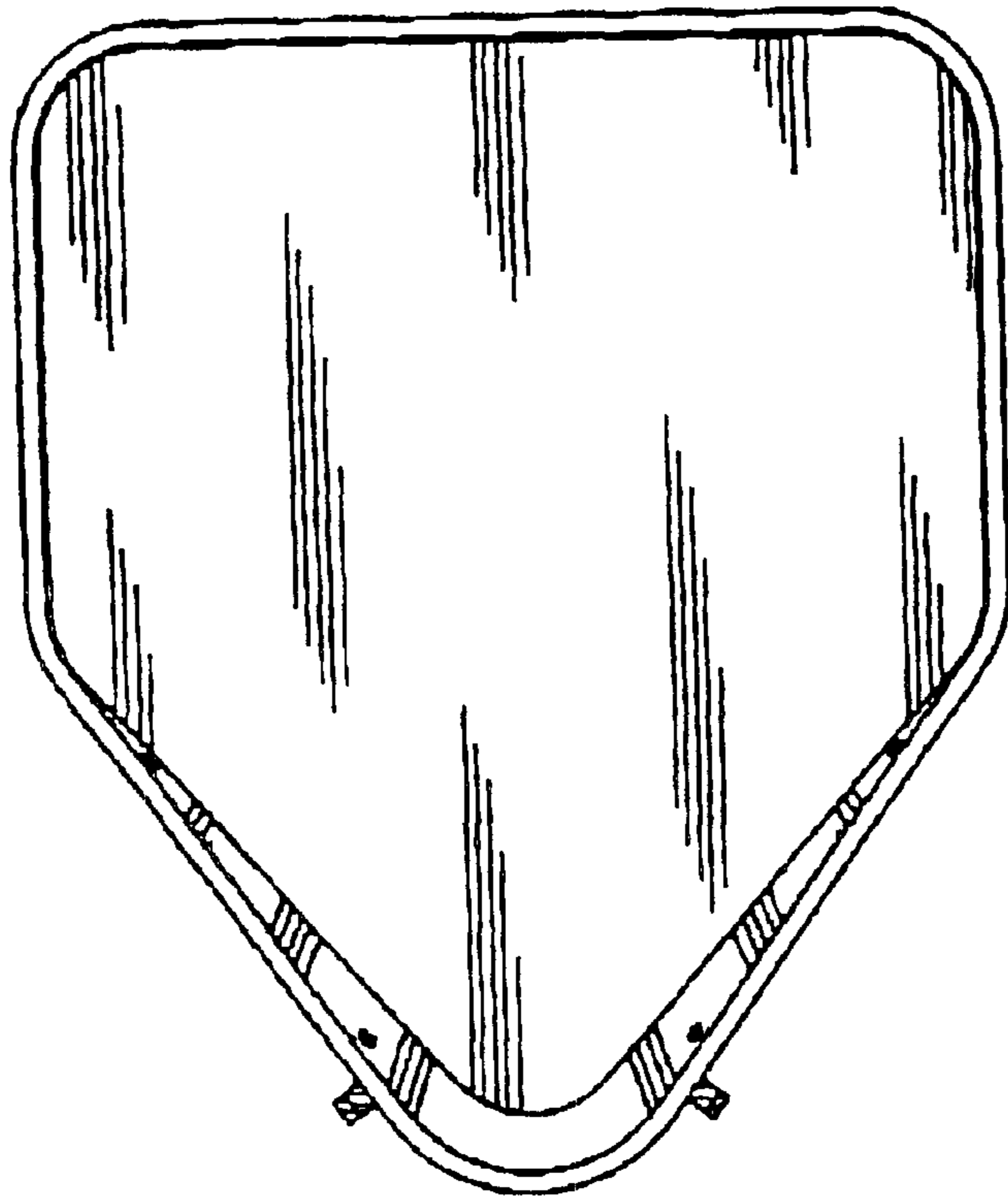


Figure 5

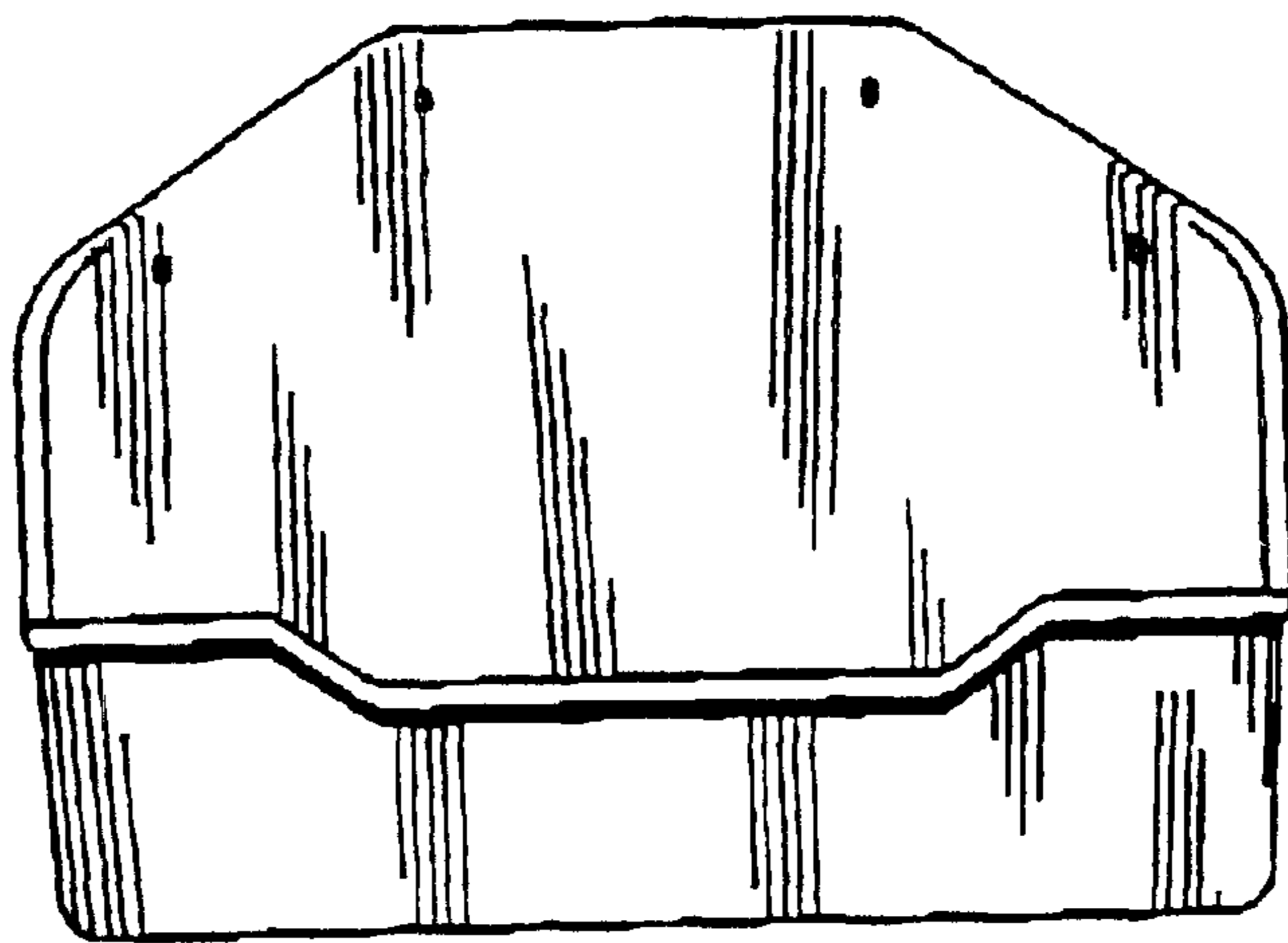


Figure 6