



US00D453240S

(12) **United States Design Patent**
Simon

(10) **Patent No.:** **US D453,240 S**

(45) **Date of Patent:** **** Jan. 29, 2002**

(54) **ROUND ANIMAL TOY**

(75) **Inventor:** **Allen Simon**, East Northport, NY (US)

(73) **Assignee:** **Four Paws Products, Ltd.**, Hauppauge, NY (US)

(**) **Term:** **14 Years**

(21) **Appl. No.:** **29/131,395**

(22) **Filed:** **Oct. 20, 2000**

(51) **LOC (7) Cl.** **30-99**

(52) **U.S. Cl.** **D30/160**

(58) **Field of Search** D30/160; 119/702,
119/706-711; D21/713, 708; 446/569

(56) **References Cited**

U.S. PATENT DOCUMENTS

D214,928 S	*	8/1969	Swett et al.	D30/160
D225,876 S	*	1/1973	Massapequa	D30/160
D287,988 S	*	1/1987	Billinghurst	D21/713
D314,455 S	*	2/1991	Morton	D30/160
5,020,438 A	*	6/1991	Brown	D30/160
5,351,650 A	*	10/1994	Graves	119/707

5,819,690 A	*	10/1998	Brown	119/707
D408,482 S	*	4/1999	Morrison	D21/713
5,924,908 A	*	7/1999	O'Heir	446/569
6,158,390 A	*	12/2000	Holtier et al.	119/707
6,237,538 B1	*	5/2001	Tsengas	119/707

* cited by examiner

Primary Examiner—Cathy Anne MacCormac
(74) *Attorney, Agent, or Firm*—Darby & Darby

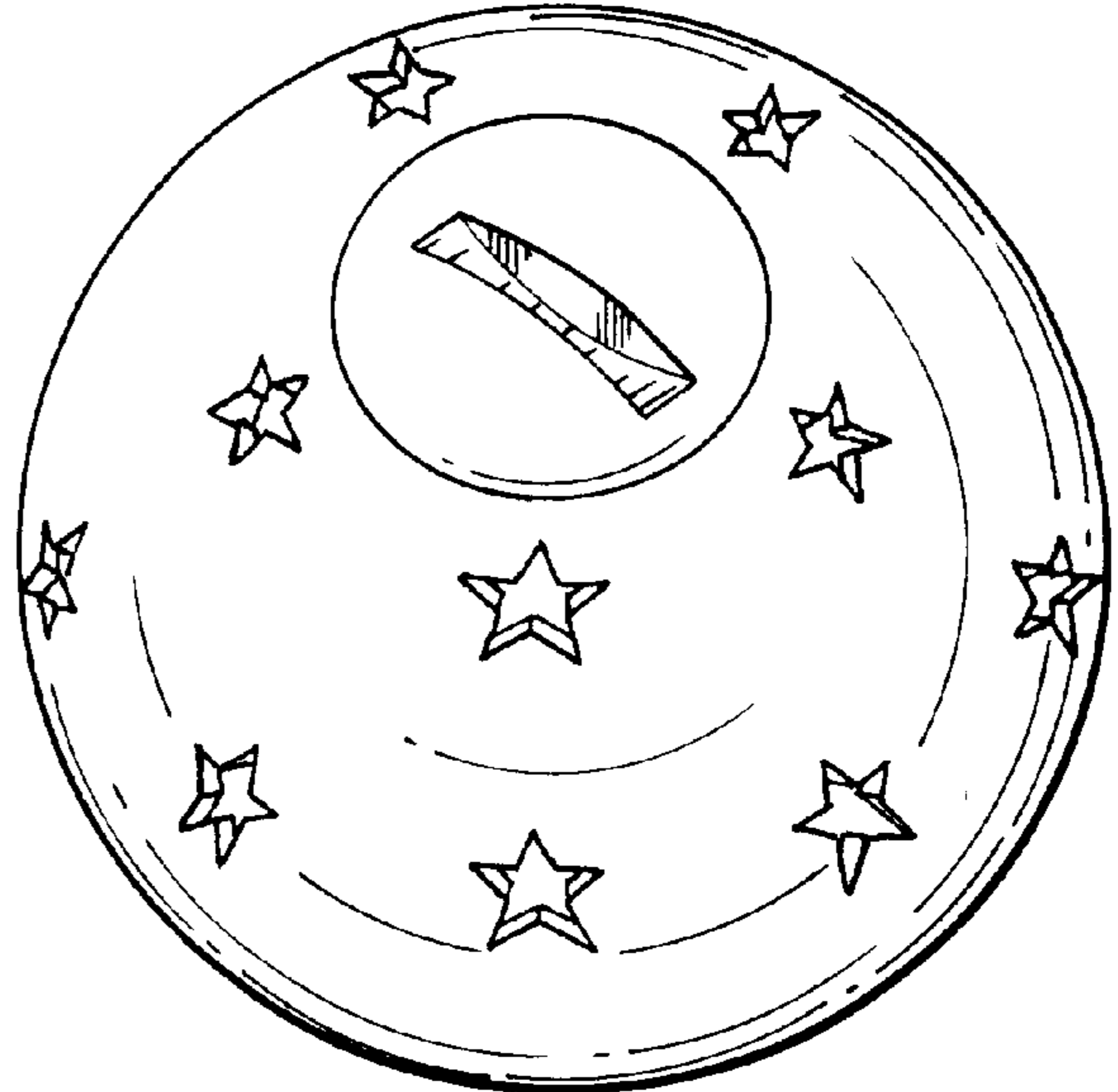
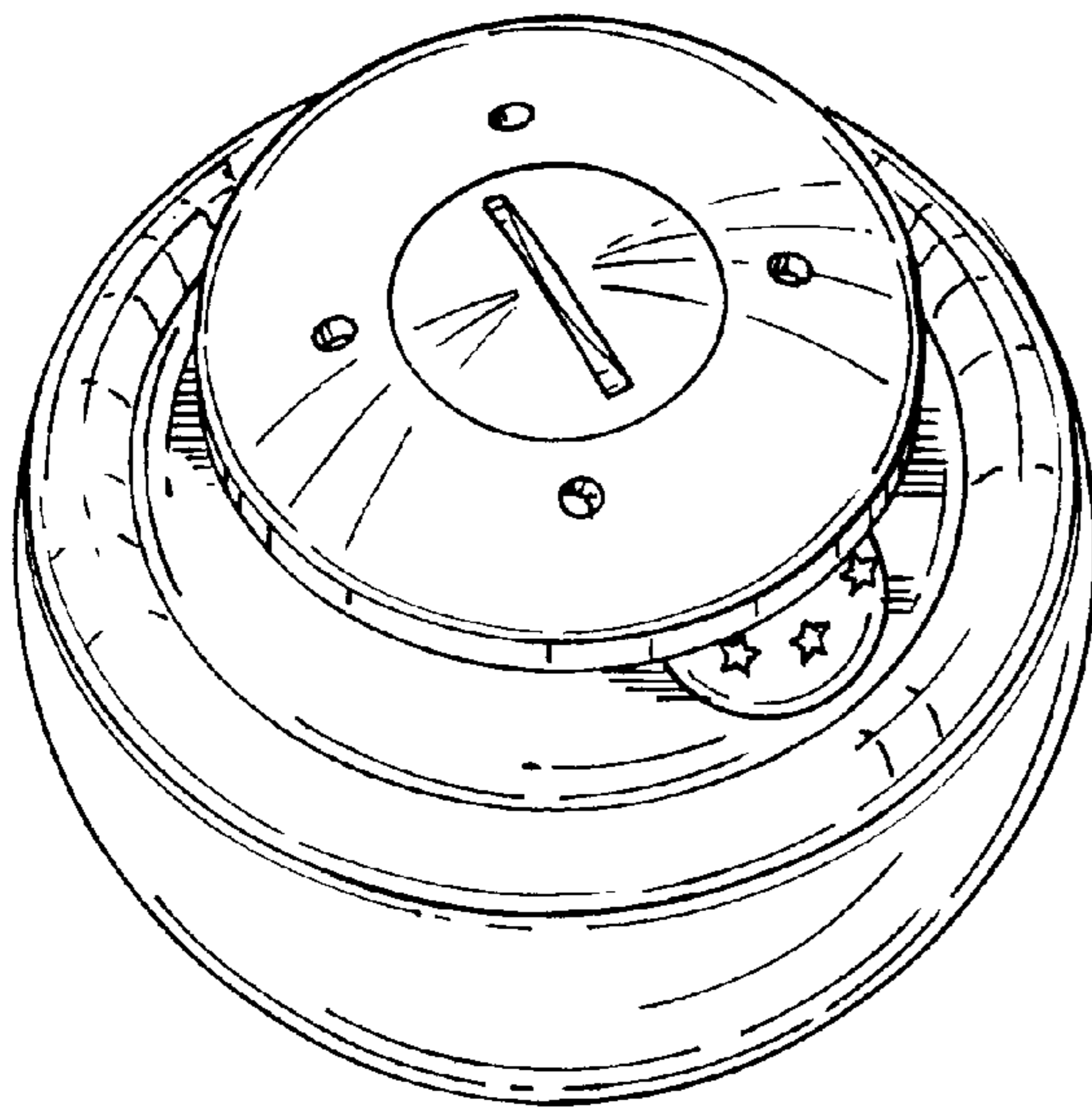
(57) **CLAIM**

The ornamental design for a round animal toy, as shown and described.

DESCRIPTION

FIG. 1 is a top perspective view of a round animal toy according to the invention;
FIG. 2 is a side view thereof;
FIG. 3 is a top plan view thereof;
FIG. 4 is an enlarged top perspective view of the small ball seen in the track in FIGS. 1 & 2;
FIG. 5 is an enlarged side perspective view of FIG. 4;
FIG. 6 is an enlarged top plan view of FIG. 4; and,
FIG. 7 is an enlarged bottom plan view of FIG. 4.

1 Claim, 2 Drawing Sheets



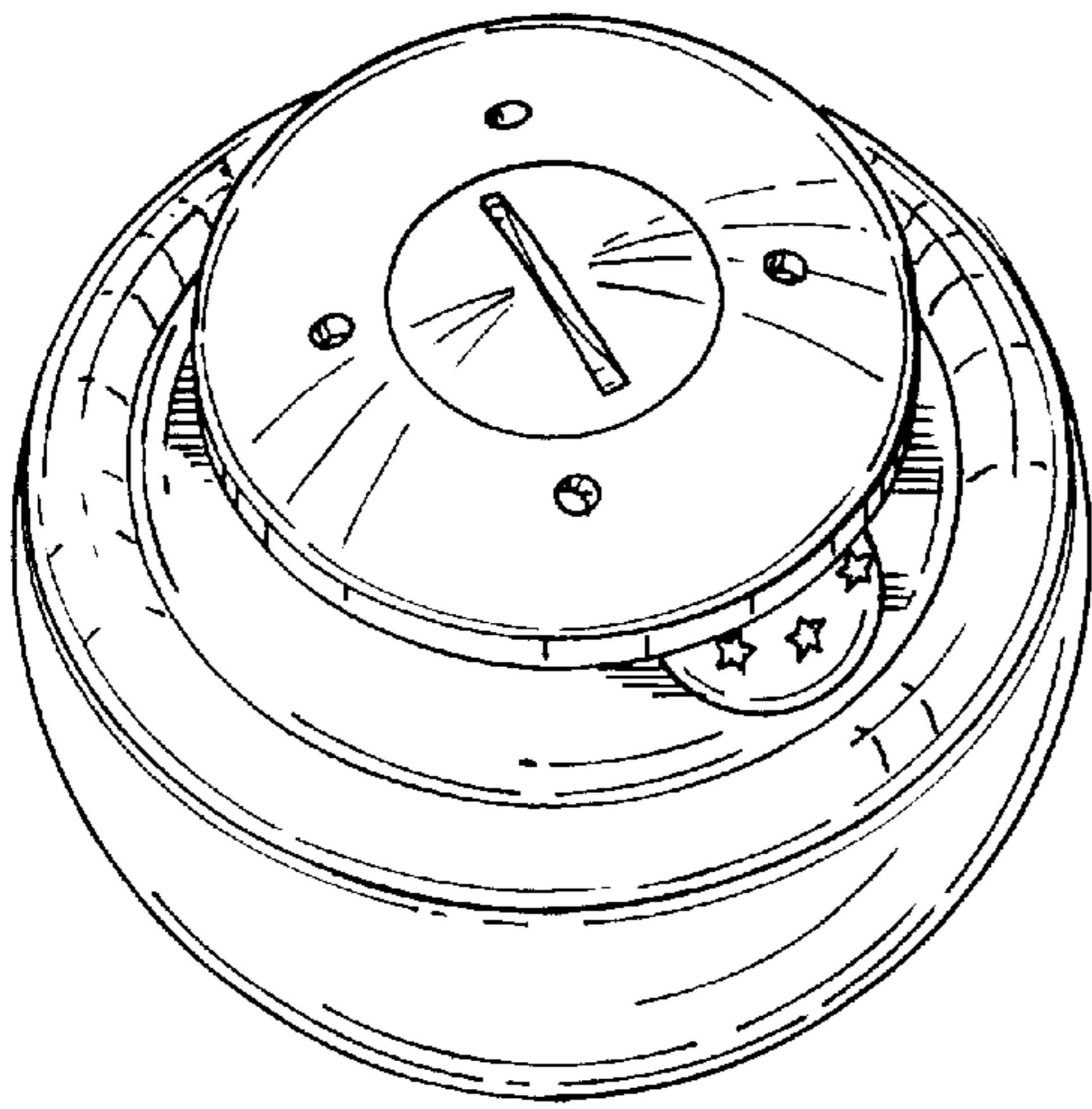


Fig. 1

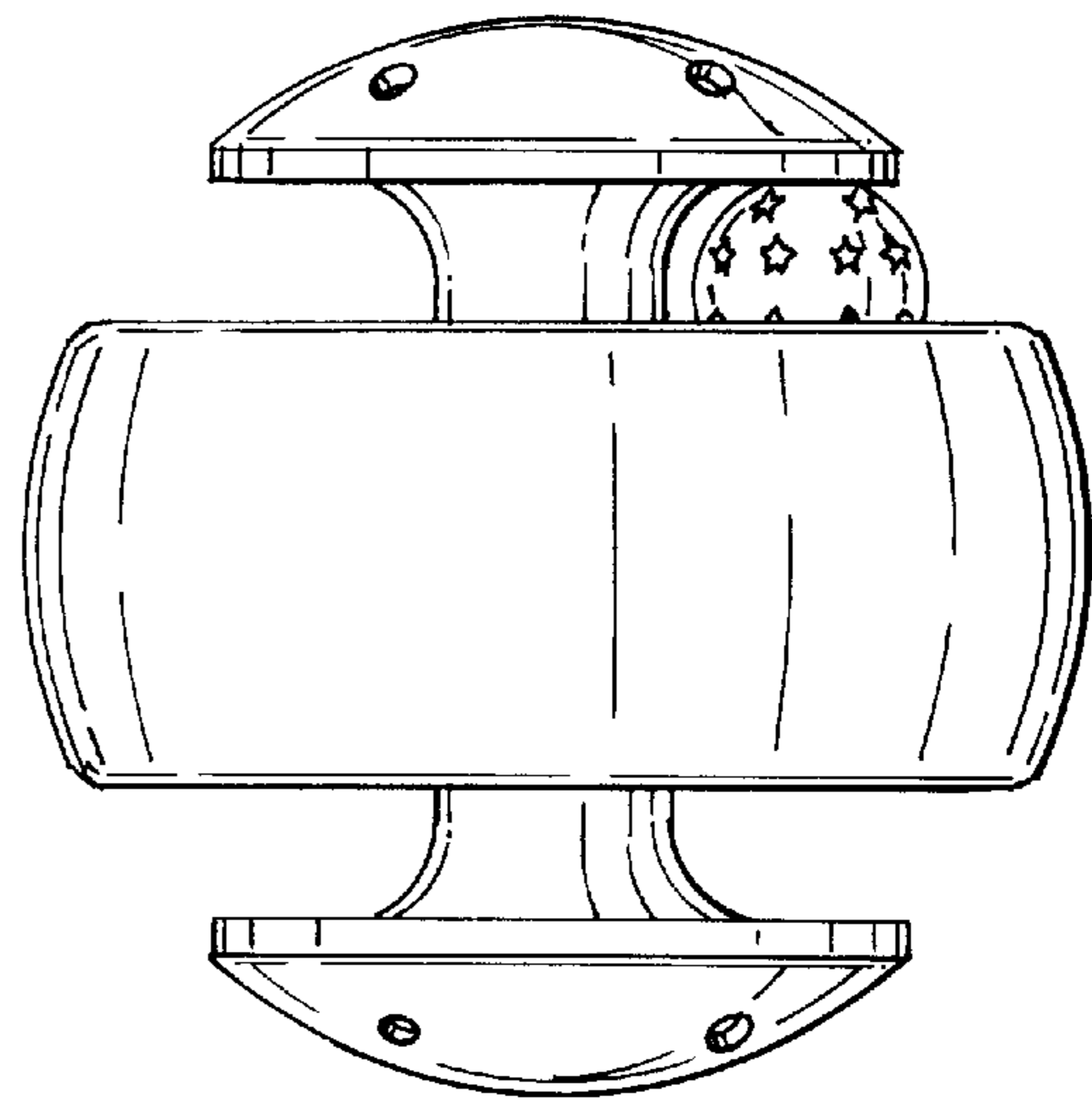


Fig. 2

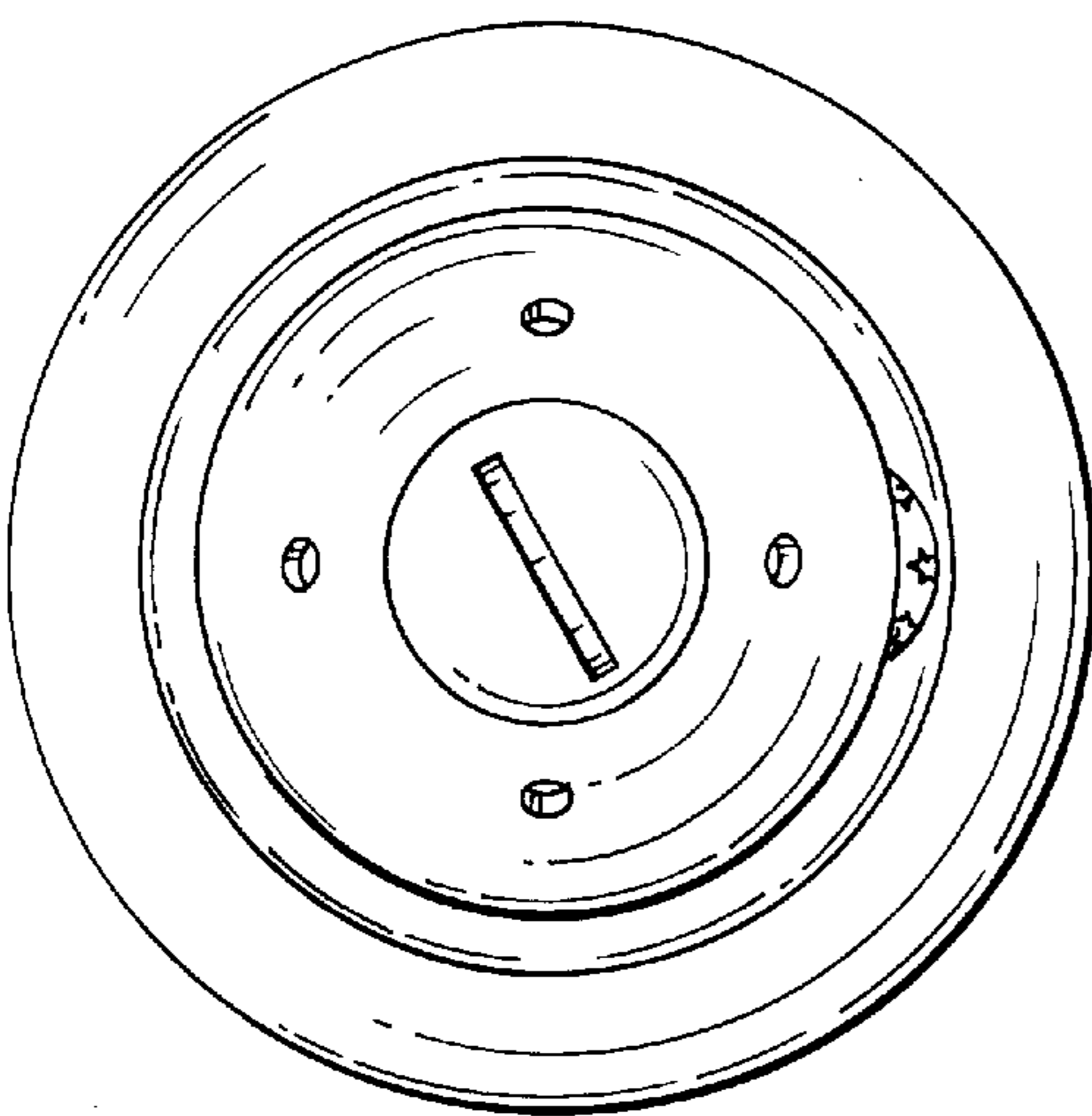


Fig. 3

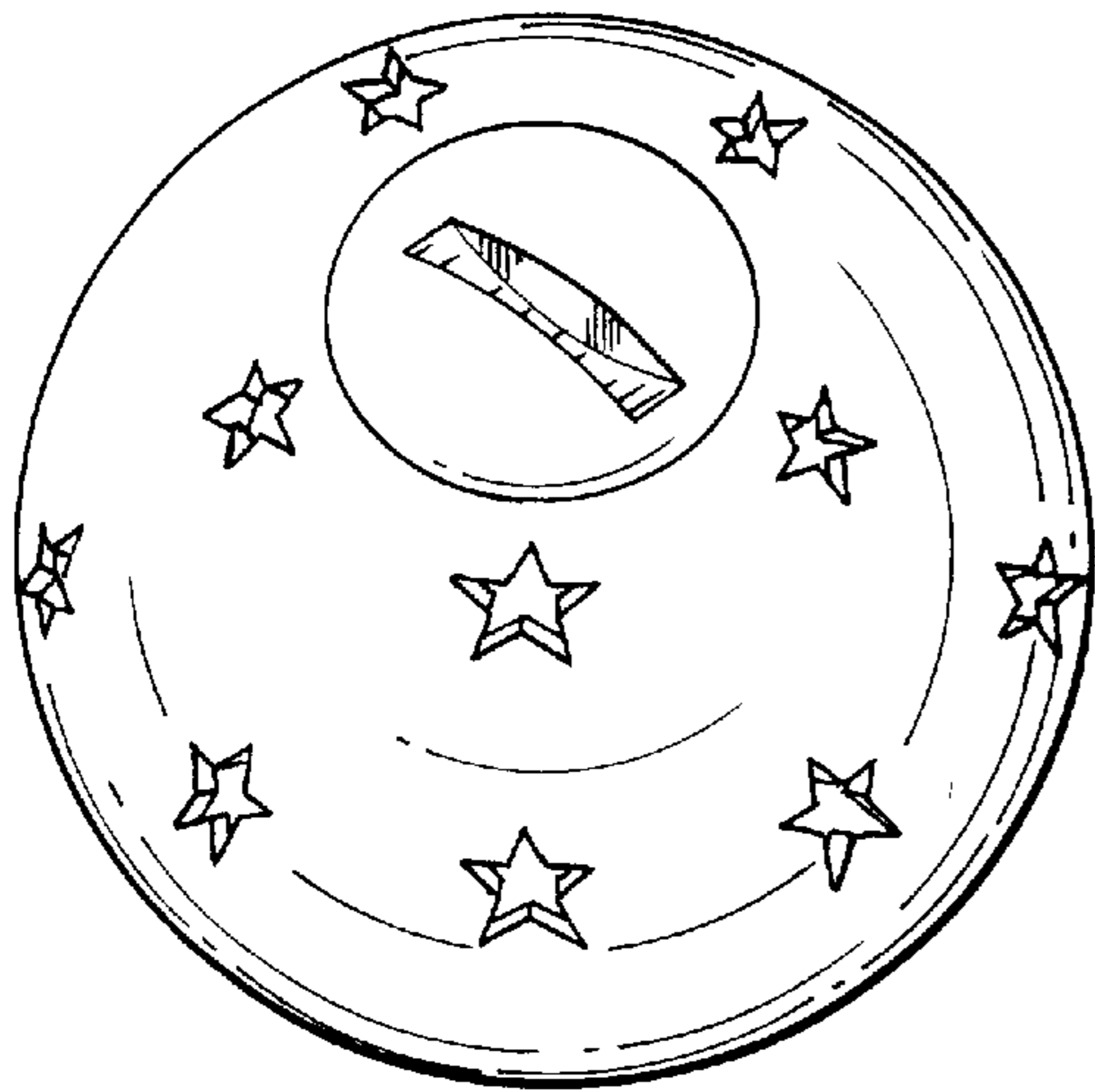


Fig. 4

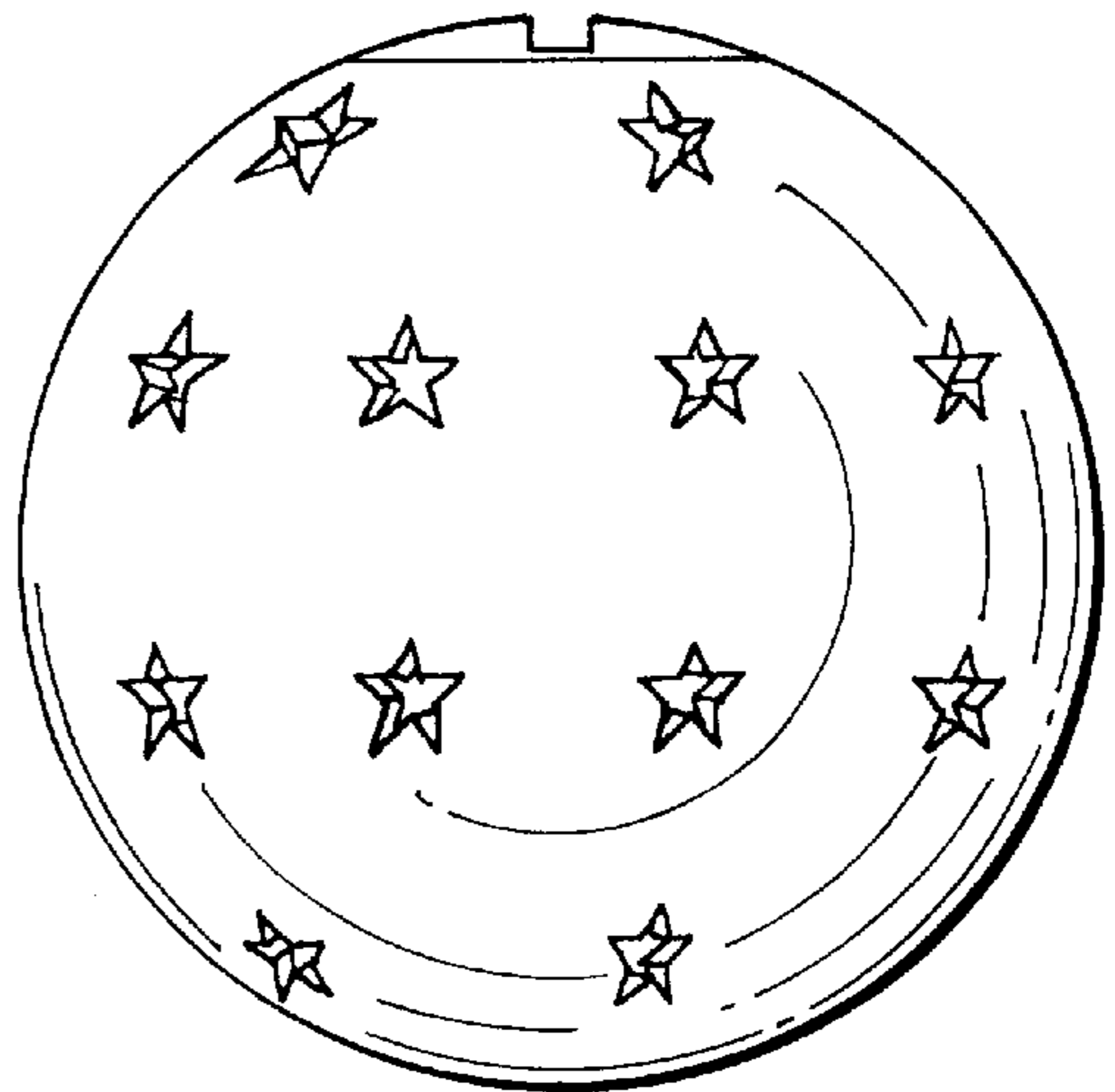


Fig. 5

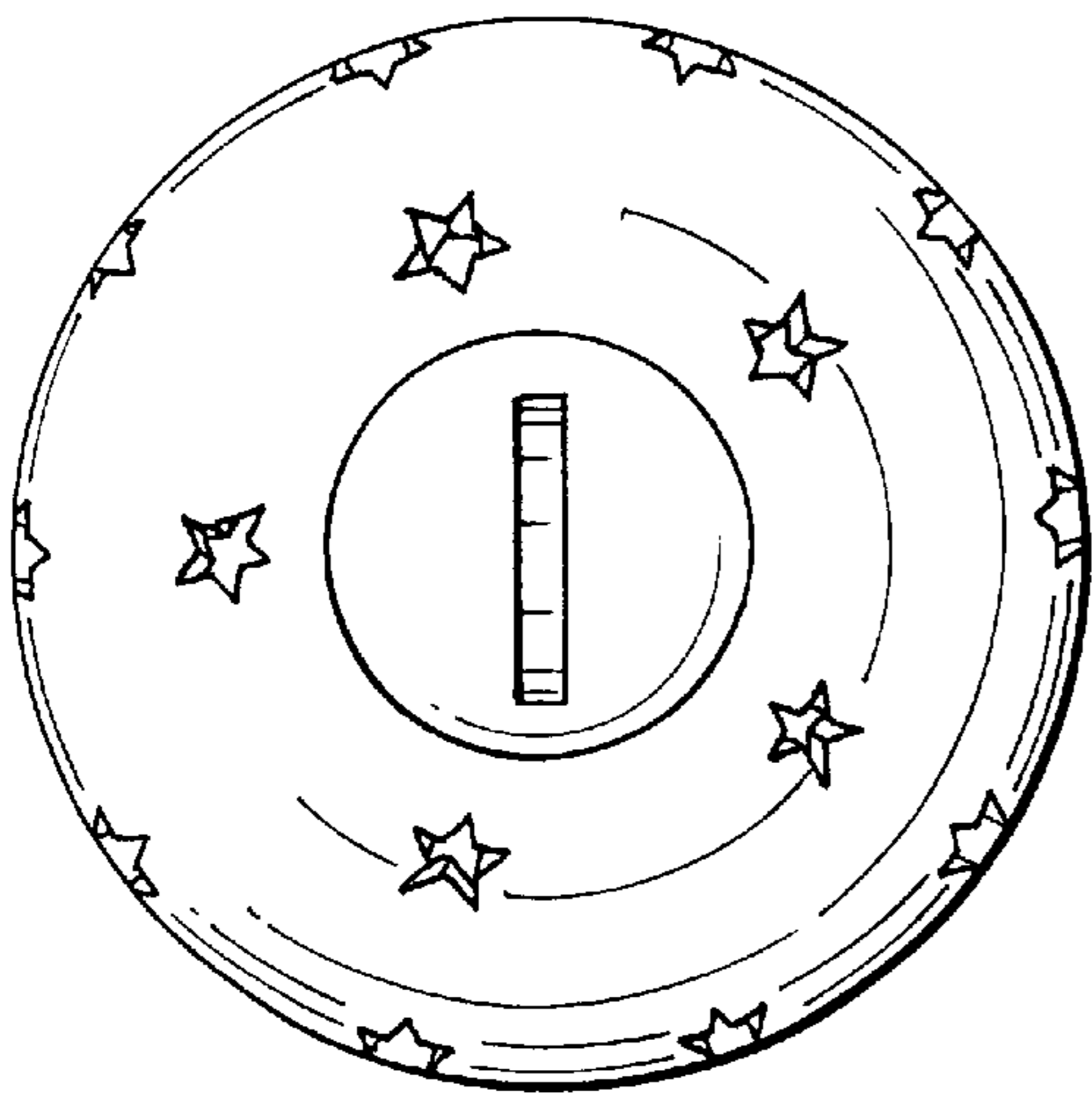


Fig. 6

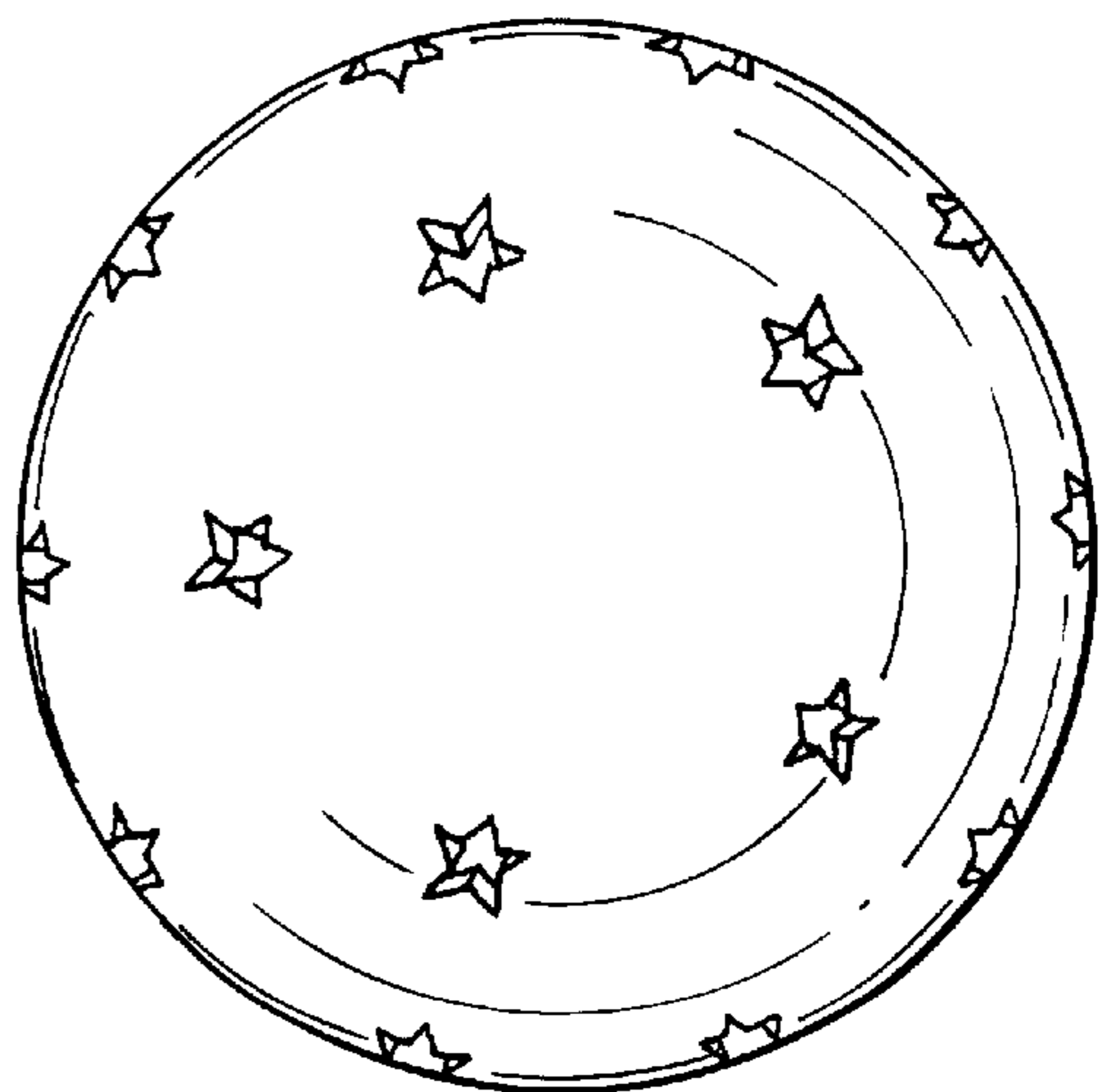


Fig. 7